



US00D694904S

(12) **United States Design Patent**
Banes et al.

(10) **Patent No.:** **US D694,904 S**
(45) **Date of Patent:** **** Dec. 3, 2013**

(54) **THREE WELL CULTURE PLATE**
(71) Applicant: **MedTrain Technologies, LLC**,
Hillsborough, NC (US)
(72) Inventors: **Albert J. Banes**, Hillsborough, NC
(US); **Colin Frazier**, Raleigh, NC (US);
Christopher Wimmer, Raleigh, NC
(US)

(73) Assignee: **MedTrain Technologies, LLC**,
Hillsborough, NC (US)

(**) Term: **14 Years**

(21) Appl. No.: **29/444,523**

(22) Filed: **Jan. 31, 2013**

(51) **LOC (9) Cl.** **24-01**

(52) **U.S. Cl.**
USPC **D24/224**

(58) **Field of Classification Search**
USPC D24/216, 223, 224, 225, 226, 227, 229,
D24/230, 231, 232; D10/81; D9/756, 759,
D9/760, 503, 504; D7/550.1, 553.1, 553.2,
D7/553.5, 553.6, 553.8, 554.2, 554.3, 538,
D7/542; 435/288.1–288.4, 304.1–304.3,
435/305.1, 305.2, 307, 294.1; 422/547,
422/549, 550–559

See application file for complete search history.

(56) **References Cited**

U.S. PATENT DOCUMENTS

3,165,450 A * 1/1965 Scheidt 435/305.3
D218,819 S * 9/1970 Rubin D24/225
4,495,289 A * 1/1985 Lyman et al. 435/305.2
4,668,633 A * 5/1987 Walton 435/305.2
D294,520 S * 3/1988 Holewinski et al. D24/226
4,789,601 A 12/1988 Banes
4,822,741 A 4/1989 Banes
4,839,280 A 6/1989 Banes
D359,125 S * 6/1995 Livingston D24/223
5,468,638 A * 11/1995 Barker et al. 435/304.1

6,037,141 A 3/2000 Banes
6,048,723 A 4/2000 Banes
6,218,178 B1 4/2001 Banes
6,472,202 B1 10/2002 Banes
D487,518 S * 3/2004 Ganz et al. D24/227
7,148,059 B1 * 12/2006 Tillotson et al. 435/288.3
D637,733 S * 5/2011 Wei D24/226
D638,136 S * 5/2011 Parunak et al. D24/224
2007/0077653 A1 4/2007 Banes et al.

* cited by examiner

Primary Examiner — Anhdao Doan

(74) *Attorney, Agent, or Firm* — The Webb Law Firm

(57) **CLAIM**

The ornamental design for a three well culture plate, as shown and described.

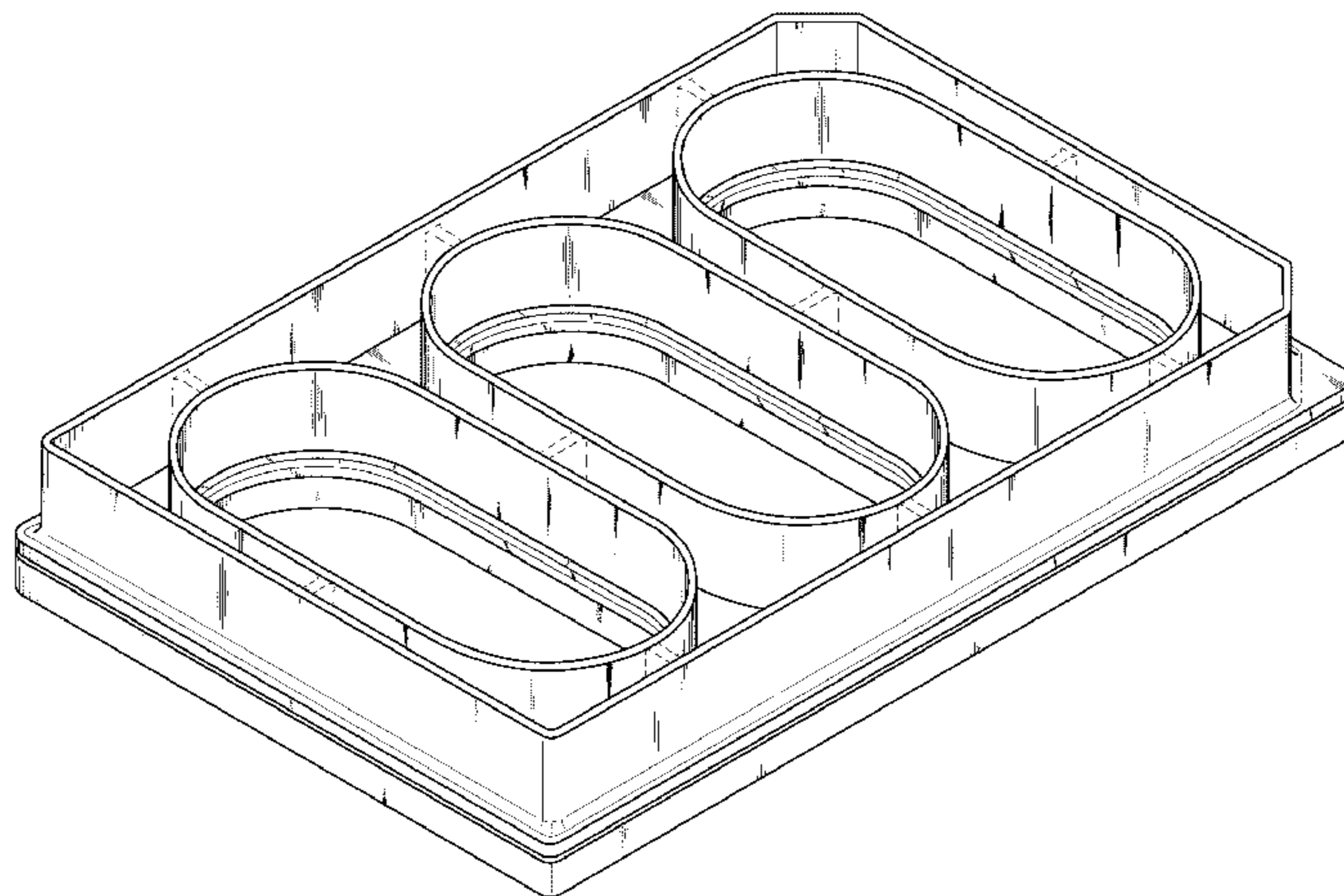
DESCRIPTION

FIG. 1 is a top view of a three well culture plate showing my new design in accordance with a first embodiment of the present invention;
FIG. 2 is a bottom view thereof;
FIG. 3 is a left side view thereof;
FIG. 4 is a right side view thereof;
FIG. 5 is a front view thereof;
FIG. 6 is a rear view thereof;
FIG. 7 is an upper right front perspective view thereof;
FIG. 8 is a lower left rear perspective view thereof;
FIG. 9 is an upper right front perspective view of a three well culture plate showing my new design in accordance with a second embodiment of the present invention; and,
FIG. 10 is an exploded, upper right front perspective view thereof.

The omitted views for the embodiment of FIGS. 9 and 10 are the same as the corresponding views of the embodiment of FIGS. 1-8, with the exception of the inclusion of the surface having the oblique line shading.

The broken lines in FIGS. 1, 2, 7 through 10 illustrate the unclaimed portions of the three well culture plate and form no part of the claimed design.

1 Claim, 8 Drawing Sheets



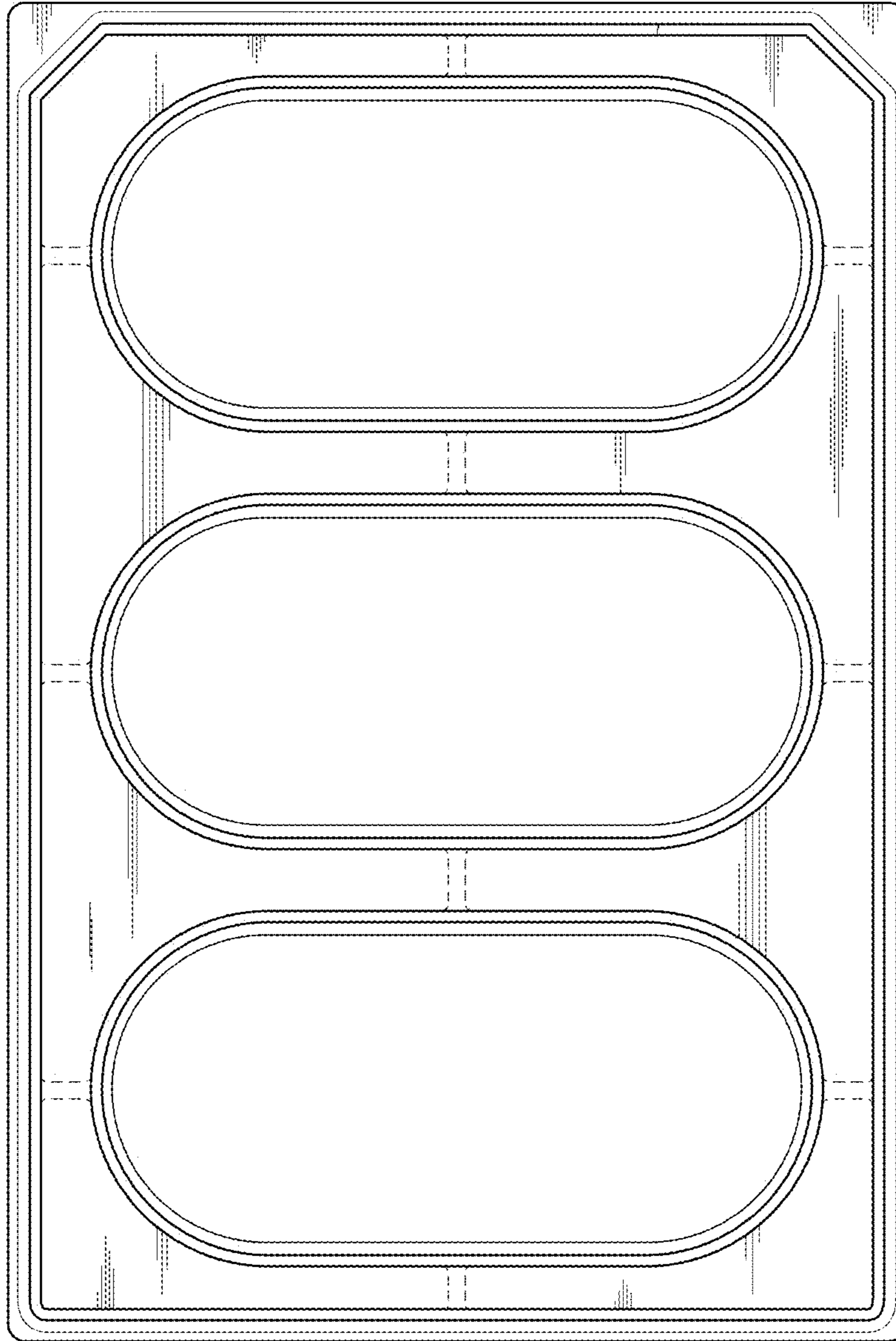


FIG. 1

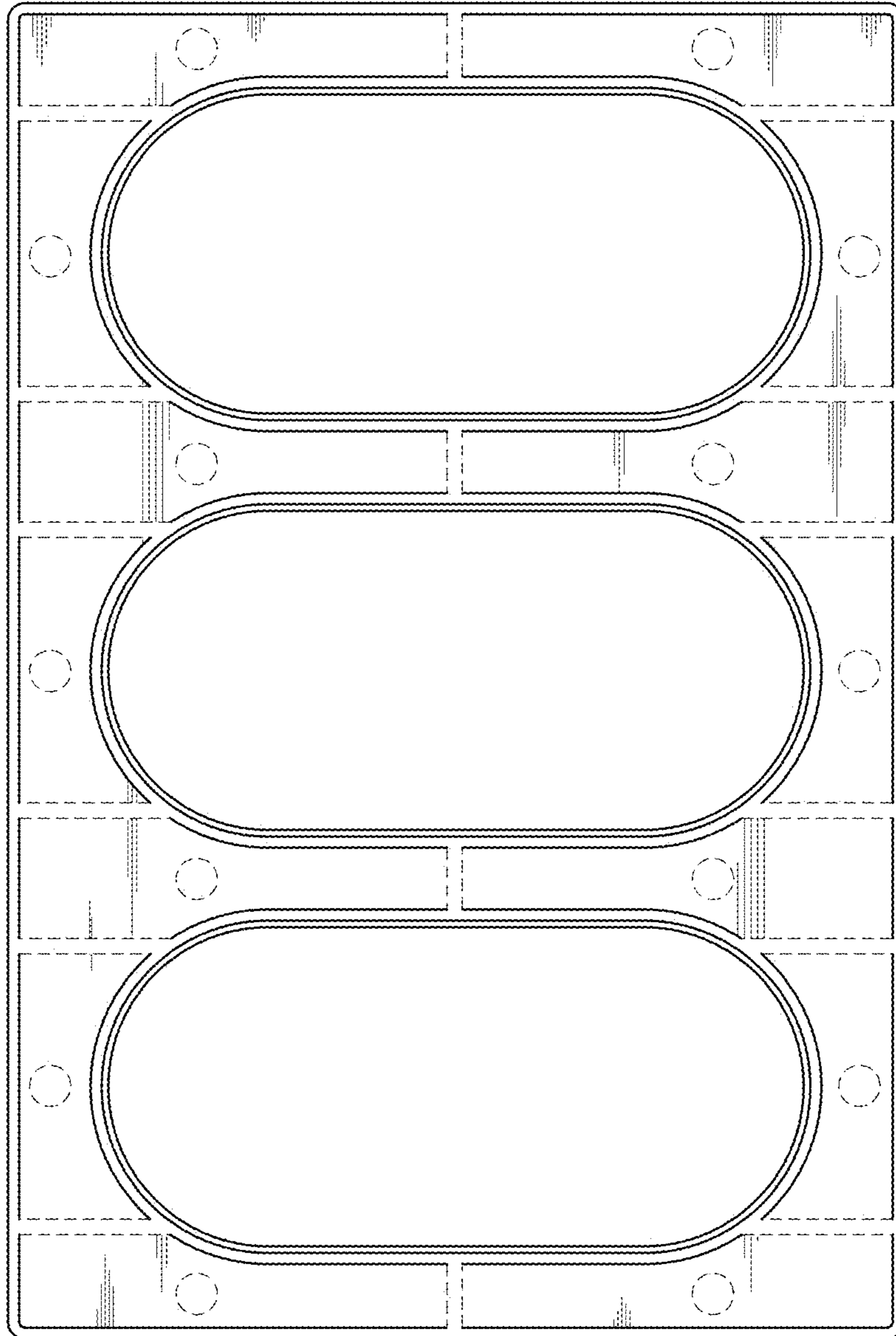


FIG. 2

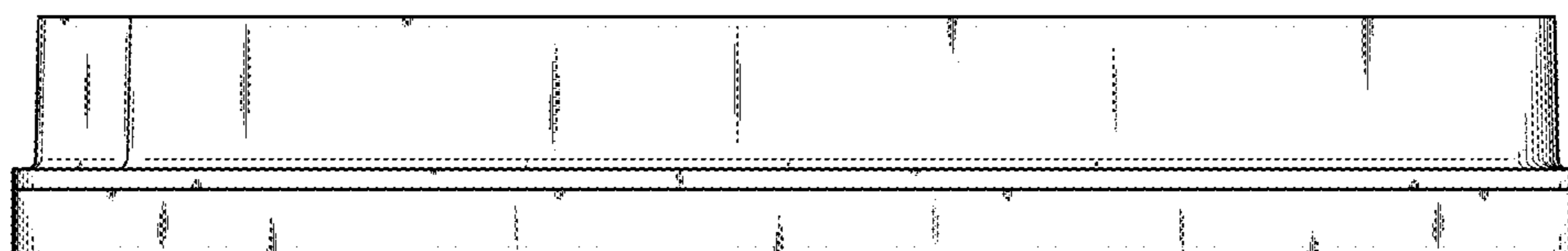


FIG. 3

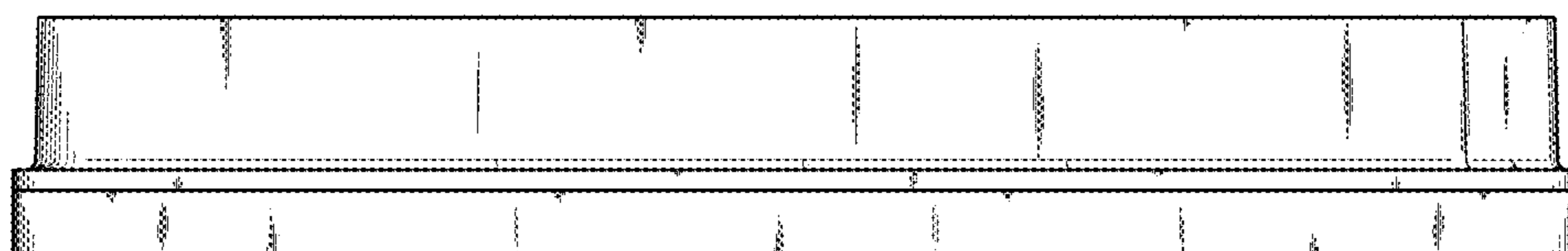


FIG. 4

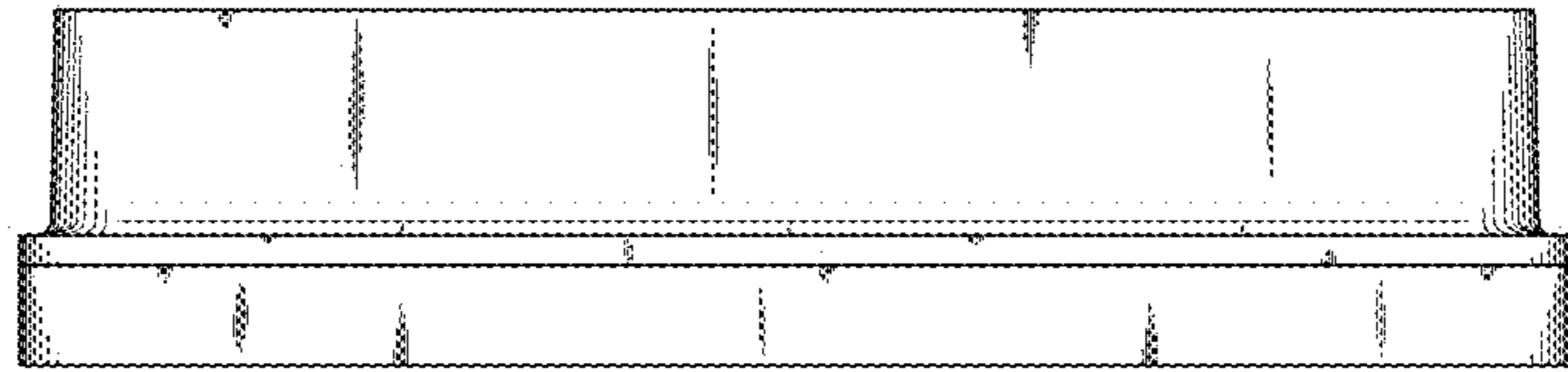


FIG. 5

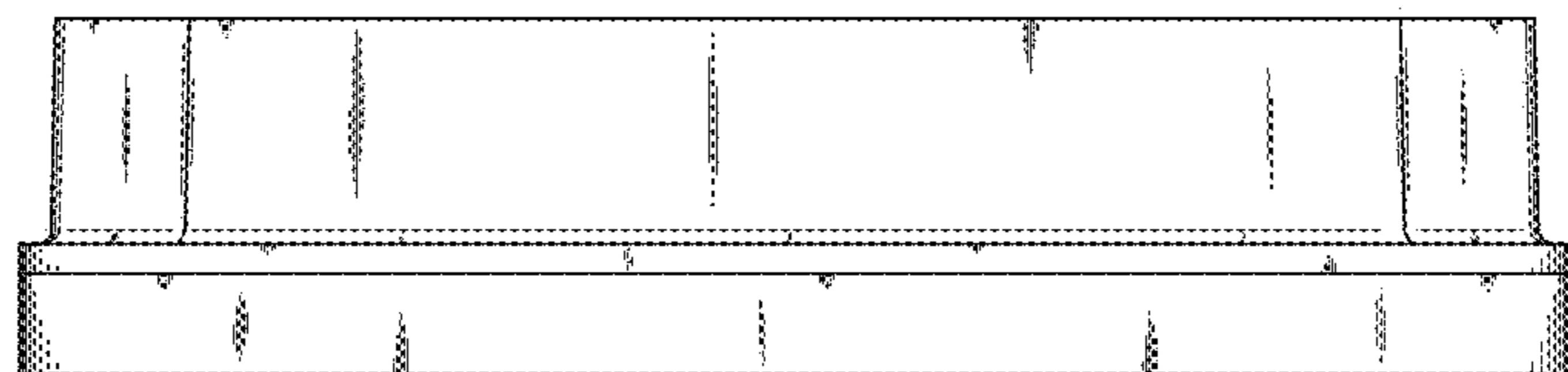


FIG. 6

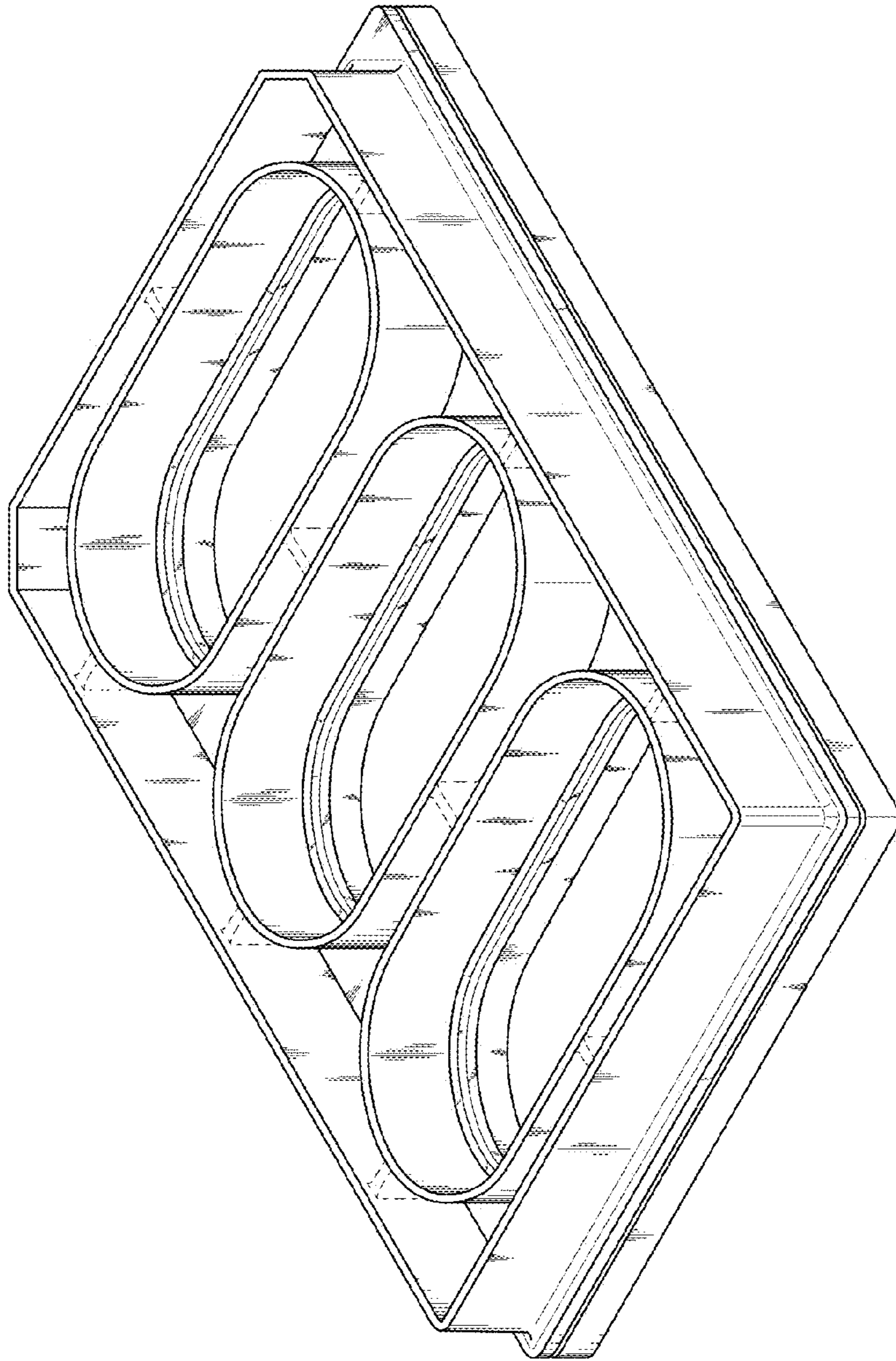


FIG. 7

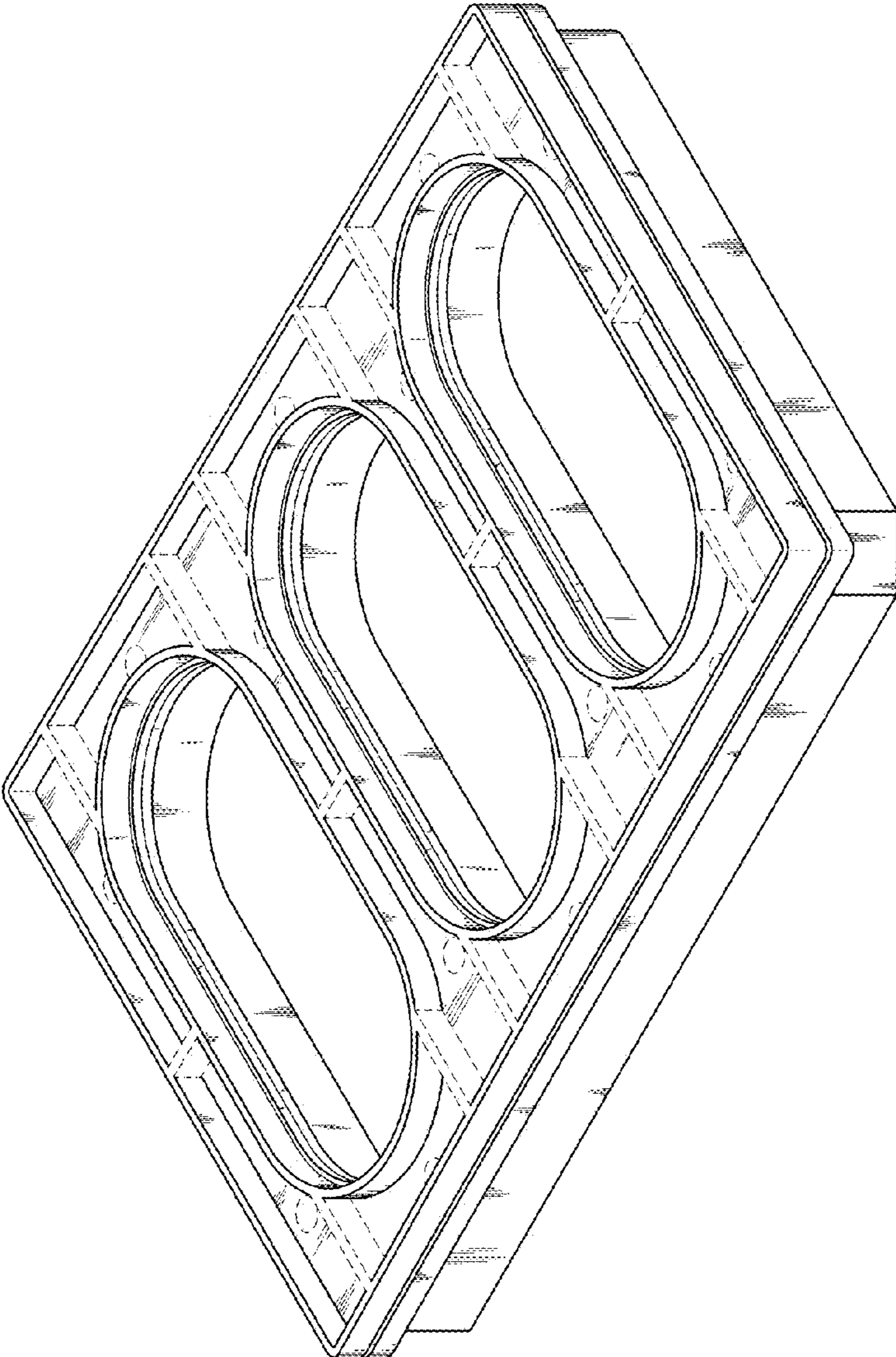


FIG. 8

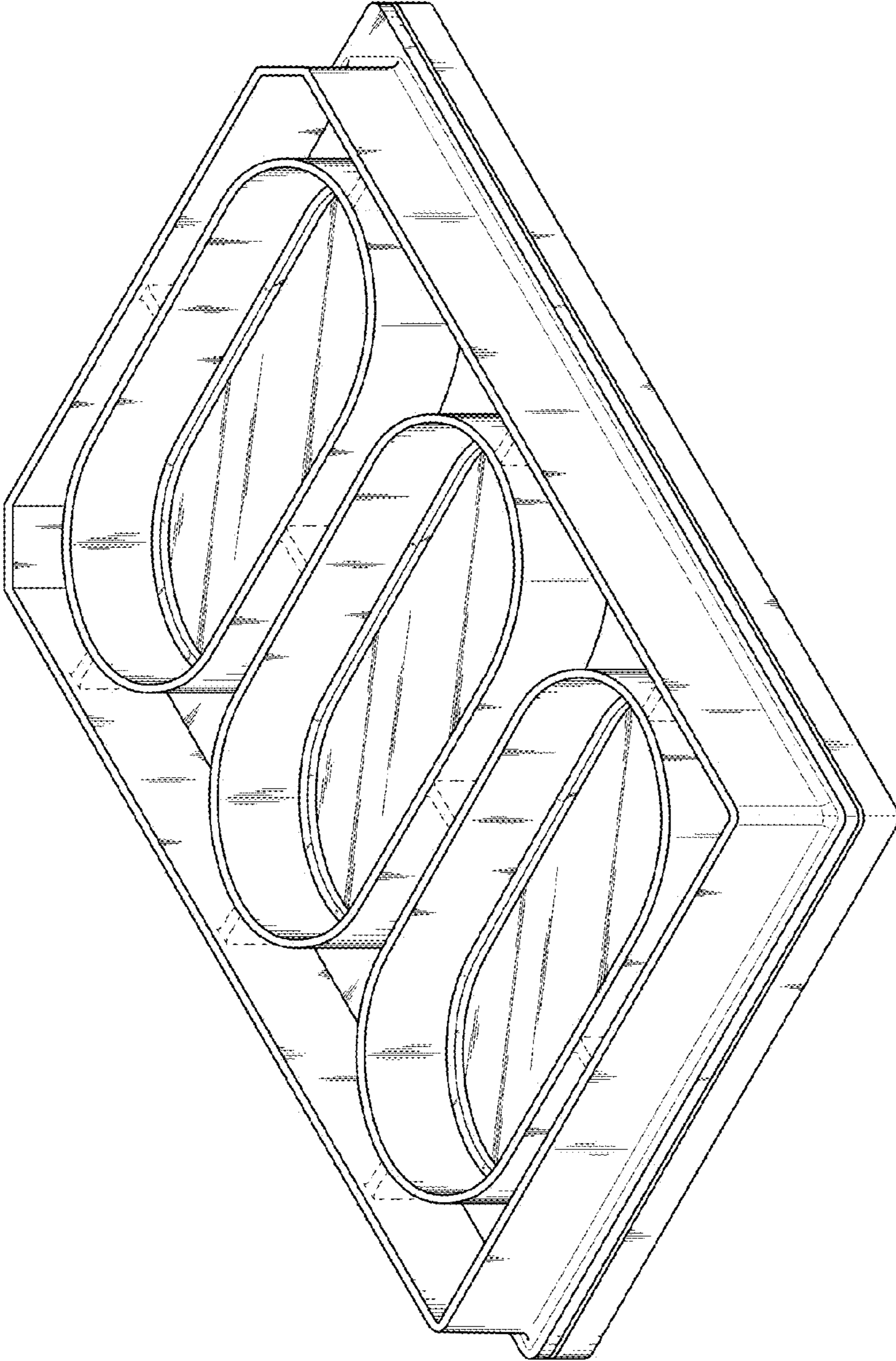


FIG. 9

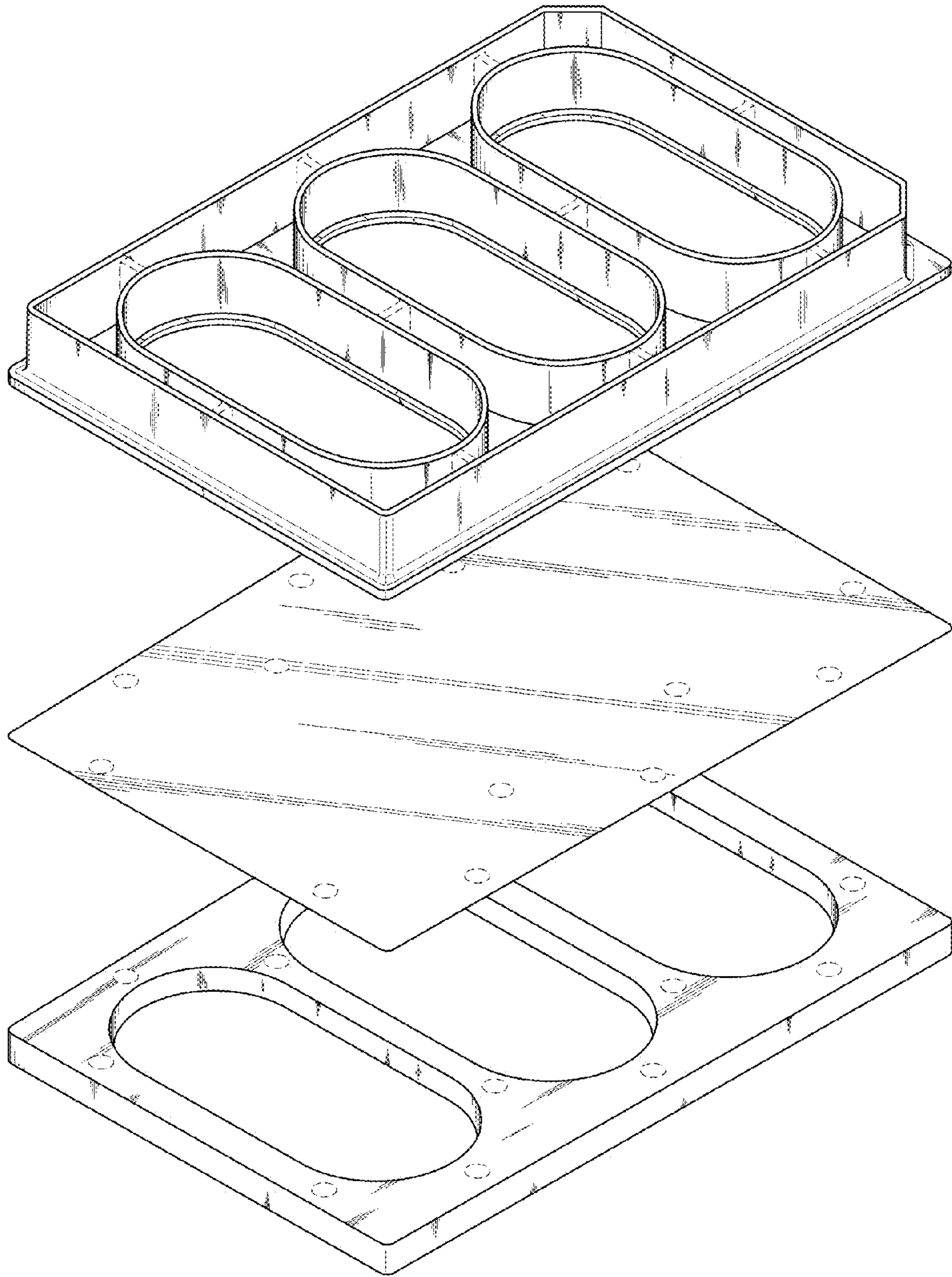


FIG. 10