



US00D694902S

(12) **United States Design Patent**
Zeller

(10) **Patent No.:** **US D694,902 S**

(45) **Date of Patent:** **** Dec. 3, 2013**

(54) **LABORATORY REACTOR**

(71) Applicant: **IKA-Werke GmbH & Co. KG**, Staufen (DE)

(72) Inventor: **Andreas Zeller**, Bad Krozingen (DE)

(73) Assignee: **IKA-Werke GmbH & Co. KG**, Staufen (DE)

(**) Term: **14 Years**

(21) Appl. No.: **29/435,437**

(22) Filed: **Oct. 24, 2012**

(30) **Foreign Application Priority Data**

May 29, 2012 (WO) 672013101

(51) **LOC (9) Cl.** **24-02**

(52) **U.S. Cl.**
USPC **D24/220**

(58) **Field of Classification Search**

USPC D24/220, 221, 216, 224, 231, 232, 197, D24/110, 133; D23/209, 365; D7/679, 682, D7/372-374, 383, 384, 597, 400, 191, 545, D7/509, 316, 565, 667, 317, 587; 241/168, 241/169, 169.1-169.2, 199.11, 273.2, 286, 241/262, 136, 30; D15/5; 604/708; 134/158
See application file for complete search history.

(56) **References Cited**

U.S. PATENT DOCUMENTS

D316,799 S * 5/1991 Barrault D7/412
D346,223 S * 4/1994 Mechler et al. D24/220

D385,148 S * 10/1997 Ikenaga D7/374
D394,183 S * 5/1998 Arita et al. D7/384
D395,573 S * 6/1998 Leverrier D7/381
D536,782 S * 2/2007 Koizumi et al. D24/108
7,328,864 B2 * 2/2008 Narai et al. 241/92
2011/0116976 A1 * 5/2011 Zeller et al. 422/119

OTHER PUBLICATIONS

http://www.red-dot-21.com/products/ika-Ir-1000.*

* cited by examiner

Primary Examiner — Robert M Spear

Assistant Examiner — Rhea Shields

(74) *Attorney, Agent, or Firm* — Volpe and Koenig, P.C.

(57) **CLAIM**

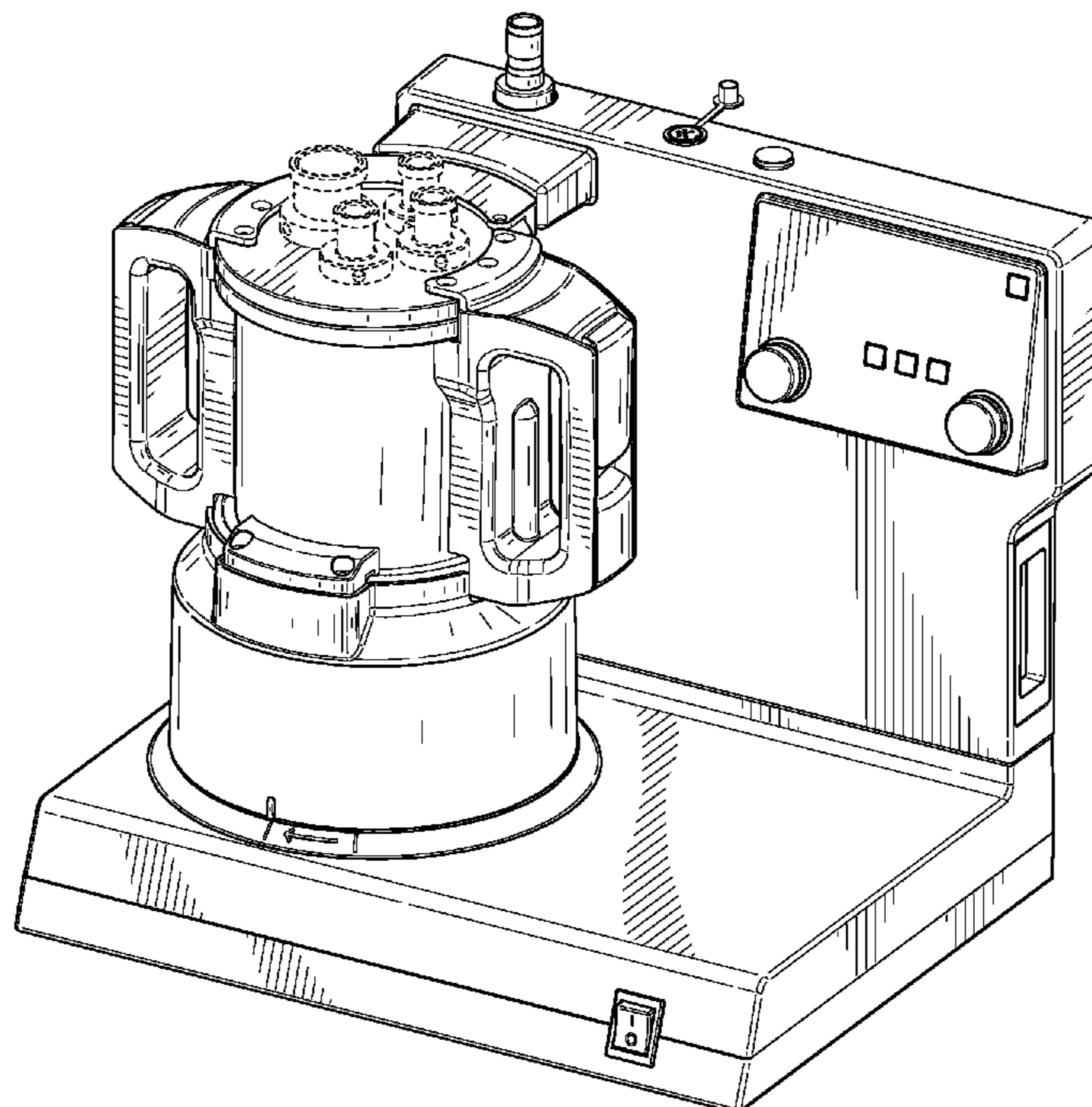
The ornamental design for a laboratory reactor, as shown and described.

DESCRIPTION

FIG. 1 is a top, front, right perspective view of a laboratory reactor in accordance with my design; FIG. 2 is a front elevational view thereof; FIG. 3 is a left side elevational view thereof; FIG. 4 is a rear elevational view thereof; FIG. 5 is a right side elevational view thereof; FIG. 6 is a bottom view thereof; and, FIG. 7 is a top plan view thereof.

The rear and bottom surfaces of the laboratory reactor form no part of the claim. The broken lines in the figures illustrate unclaimed environment and form no part of the claimed design.

1 Claim, 7 Drawing Sheets



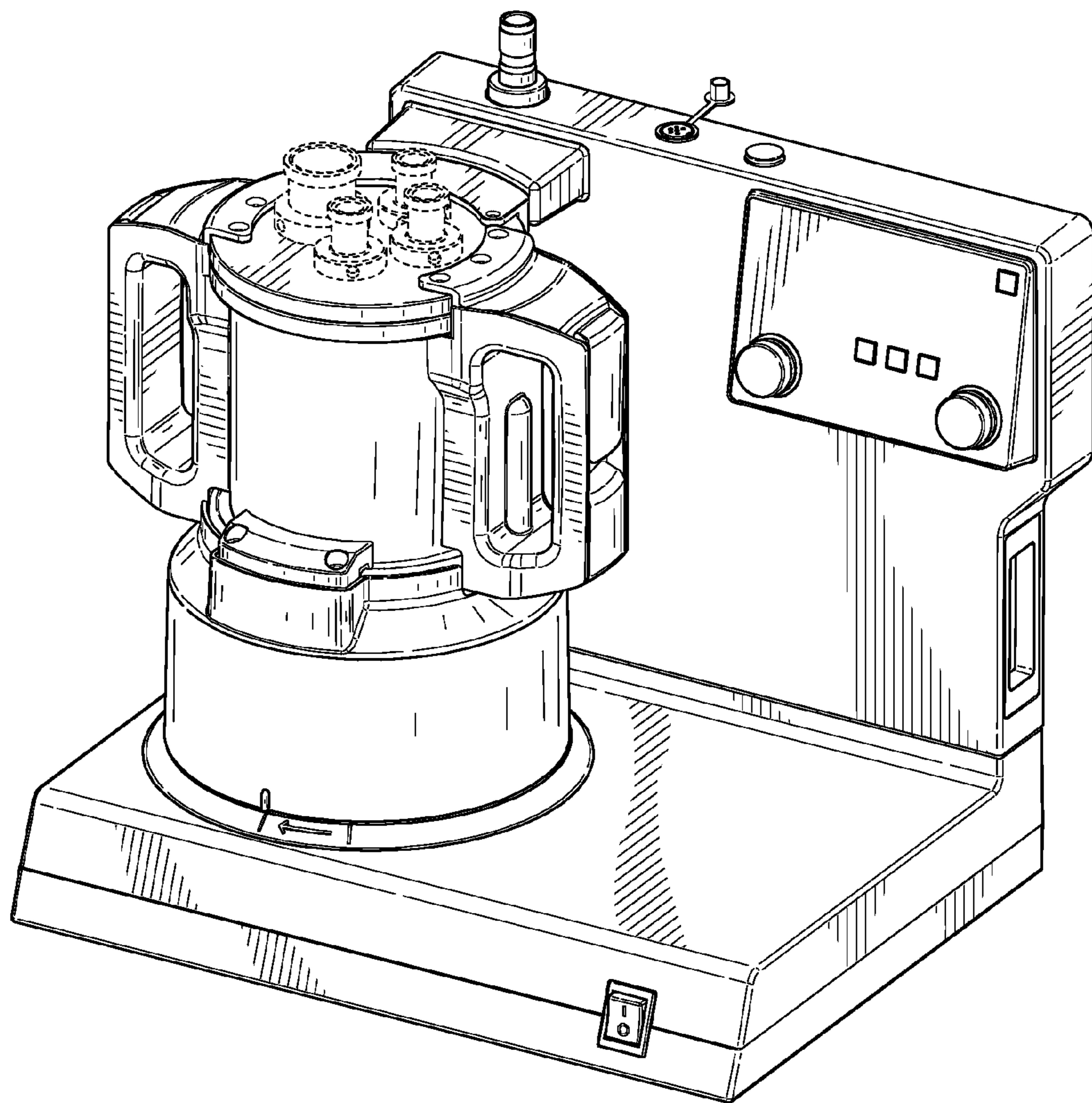


FIG. 1

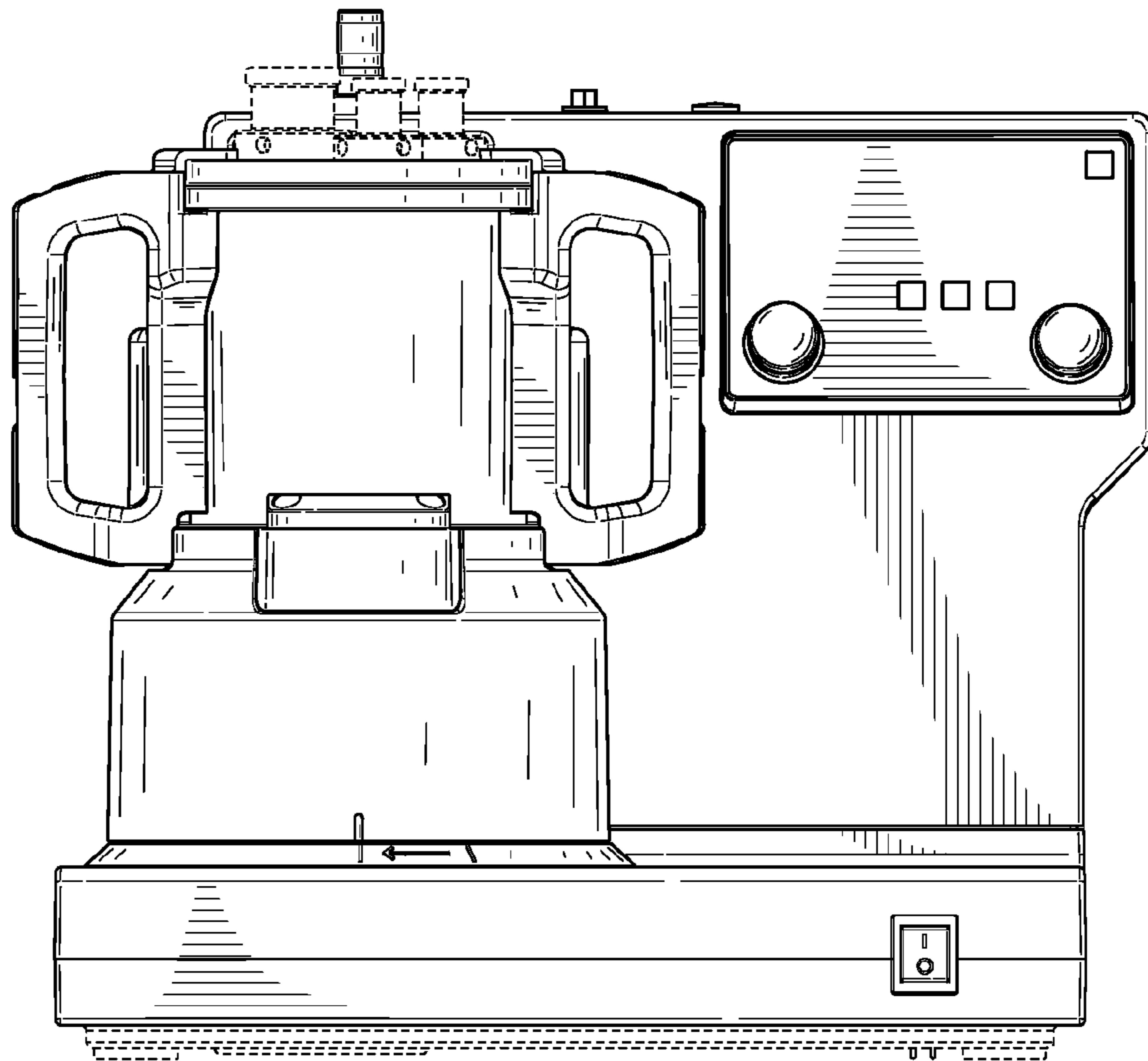


FIG. 2

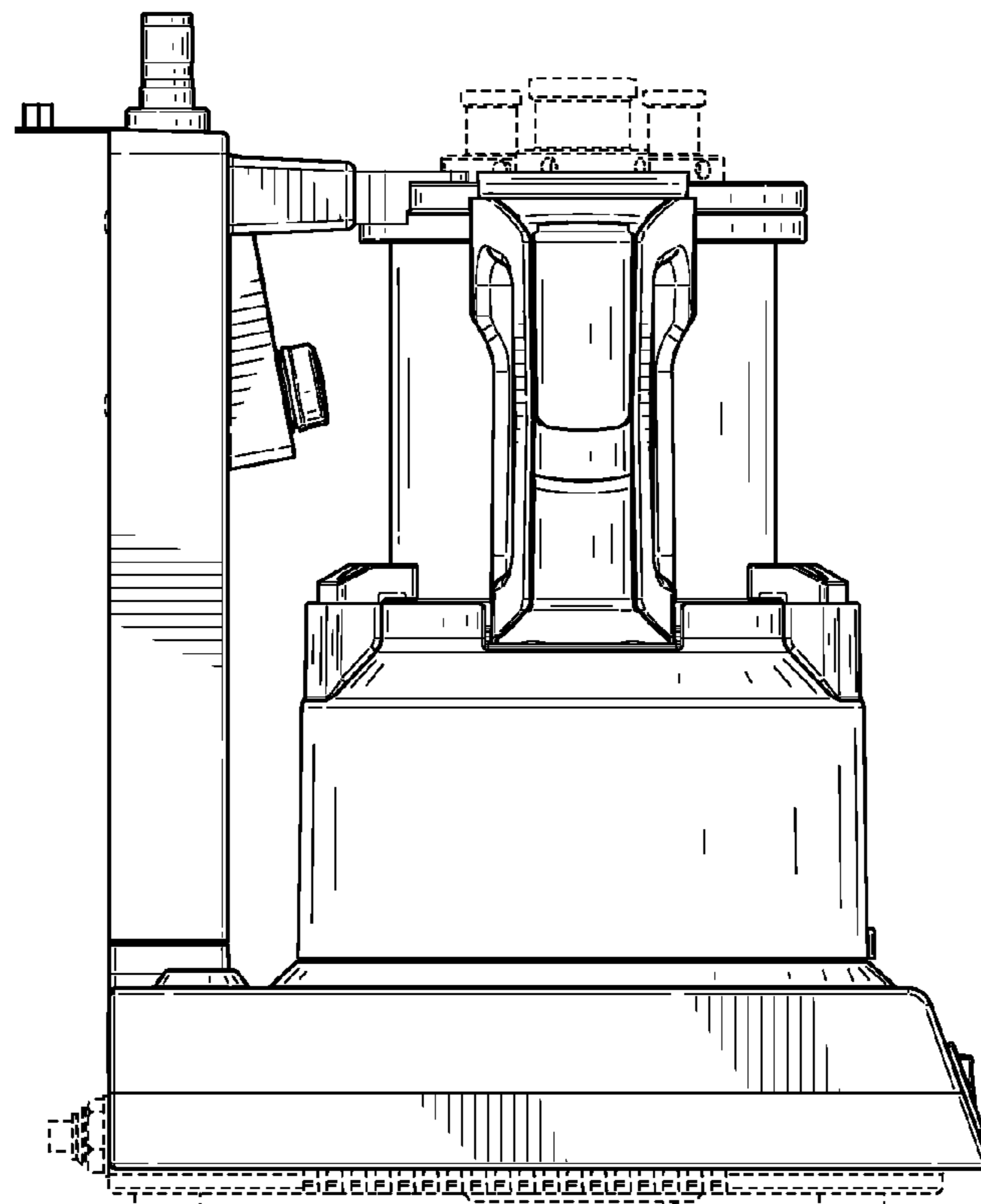


FIG. 3

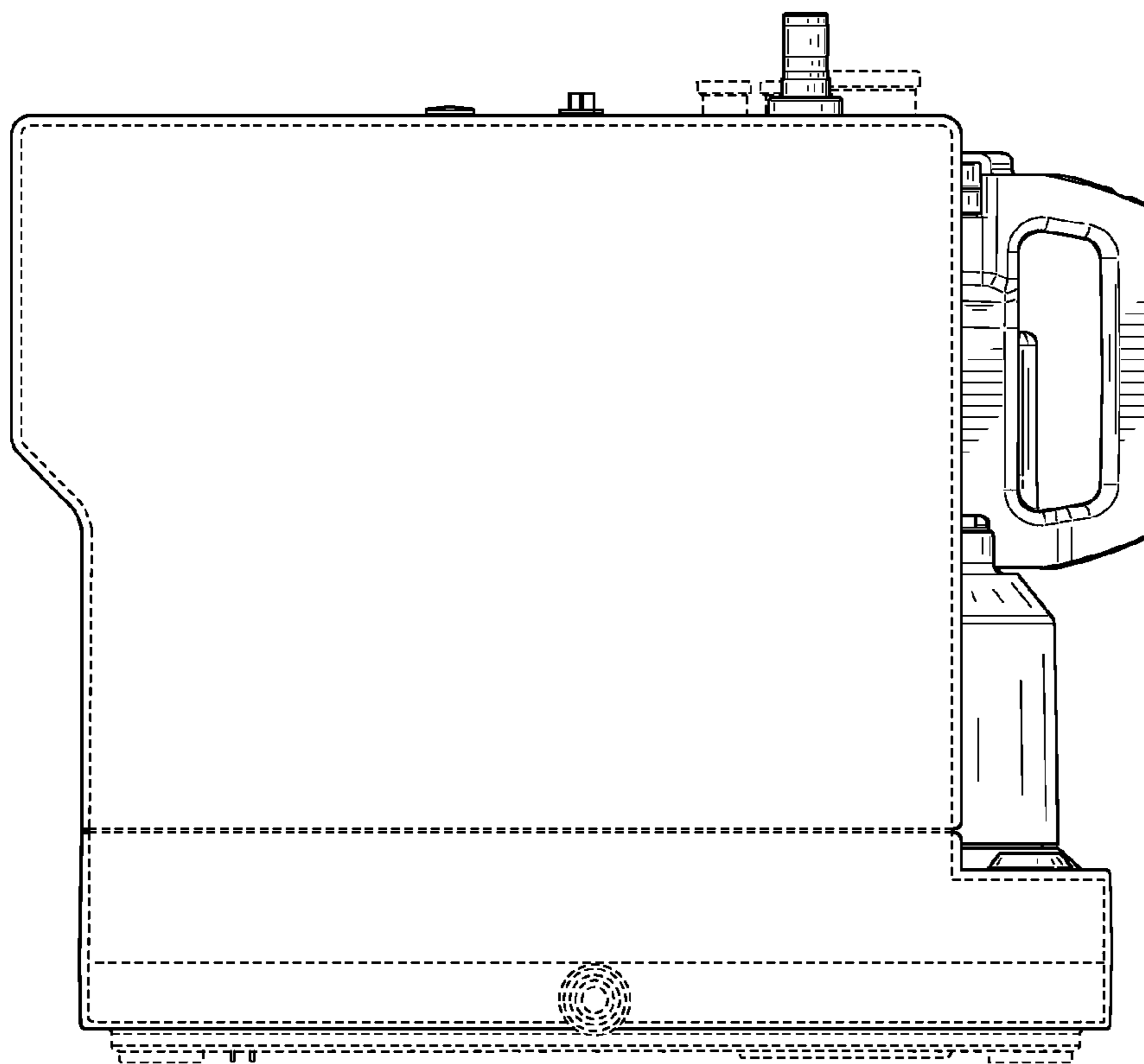


FIG. 4

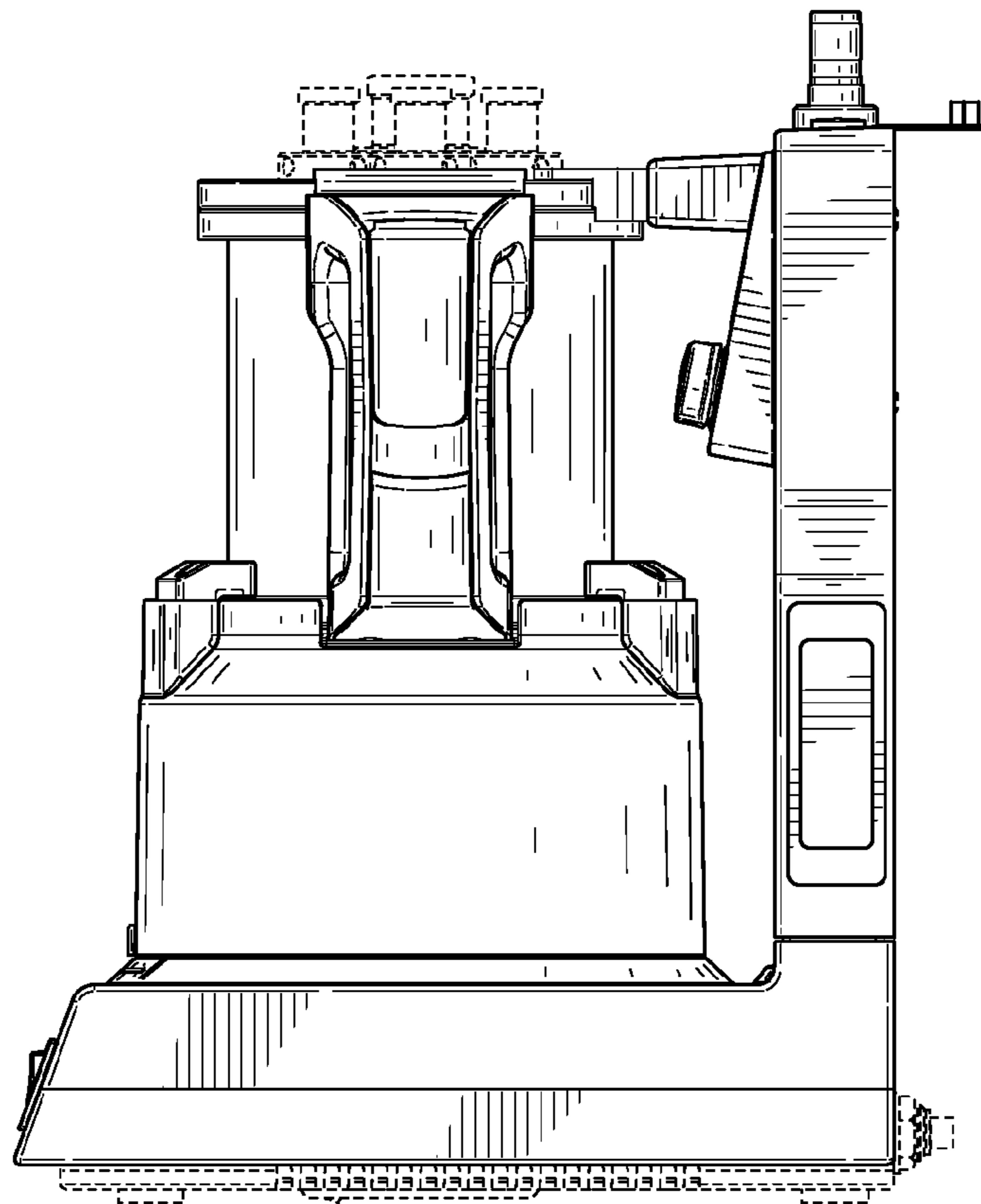


FIG. 5

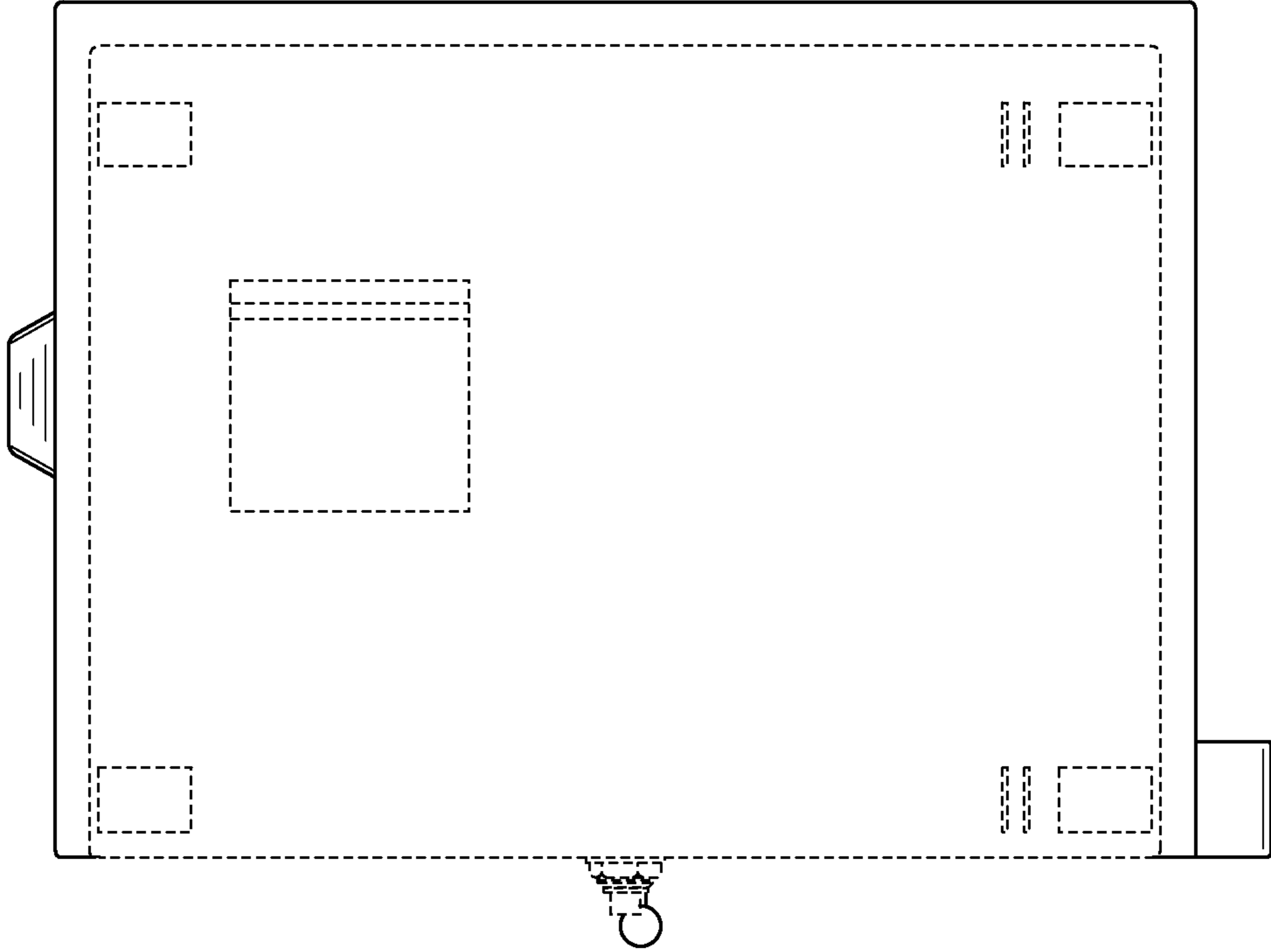


FIG. 6

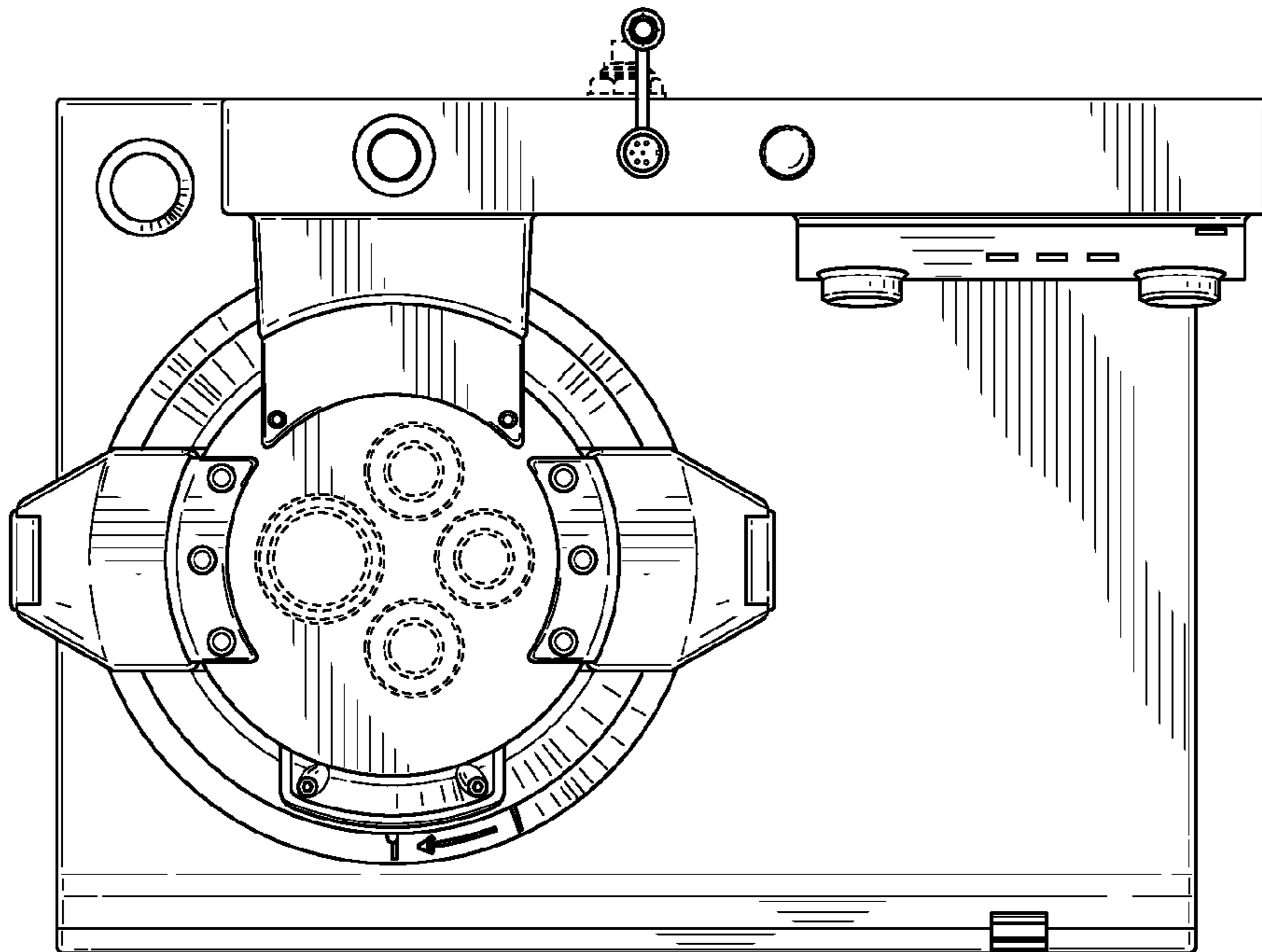


FIG. 7