



US00D694901S

(12) **United States Design Patent**  
**Hohl et al.**

(10) **Patent No.:** **US D694,901 S**  
(45) **Date of Patent:** **\*\* Dec. 3, 2013**

(54) **CUP FOR PILL CRUSHING**  
(75) Inventors: **Brian Hohl**, Tonawanda, NY (US);  
**Brian D. Bell**, Wyoming, NY (US);  
**Douglas Dufaux**, Orchard Park, NY  
(US); **David Rowlands**, Honeoye Falls,  
NY (US)

D433,148 S 10/2000 Dennis  
D474,836 S 5/2003 Chang  
6,637,685 B1 10/2003 Kruger  
D514,398 S 2/2006 Feil  
D524,599 S 7/2006 Bodum  
D530,807 S 10/2006 Miyagishima et al.  
D545,622 S 7/2007 Gomez

(Continued)

(73) Assignee: **First Wave Products Group, LLC**,  
Batavia, NY (US)

**FOREIGN PATENT DOCUMENTS**

(\*\*) Term: **14 Years**

JP 2006-191270 7/2006  
JP 2008-113233 5/2008

(21) Appl. No.: **29/428,084**

**OTHER PUBLICATIONS**

(22) Filed: **Jul. 25, 2012**

[http://www.pillcrushercanada.com/pill\\_crusher\\_cups.php](http://www.pillcrushercanada.com/pill_crusher_cups.php)  
searched RMS Jul. 10, 2013.\*

(51) **LOC (9) Cl.** ..... **24-02**

(52) **U.S. Cl.**  
USPC ..... **D24/220**

(58) **Field of Classification Search**  
USPC ..... D24/220, 221, 216, 224, 231, 232, 197,  
D24/110, 133; D23/209, 365; D7/679, 682,  
D7/372-374, 383, 384, 597, 400, 191, 545,  
D7/509, 316, 565, 667, 317, 587; 241/168,  
241/169, 169.1-169.2, 199.11, 273.2, 286,  
241/262, 136, 30; D15/5; 604/708; 134/158

See application file for complete search history.

*Primary Examiner* — Robert M Spear  
*Assistant Examiner* — Rhea Shields

(74) *Attorney, Agent, or Firm* — Katherine H. McGuire,  
Esq.; Woods Oviatt Gilman LLP

(57) **CLAIM**

The ornamental design for a cup for pill crushing, as shown  
and described.

**DESCRIPTION**

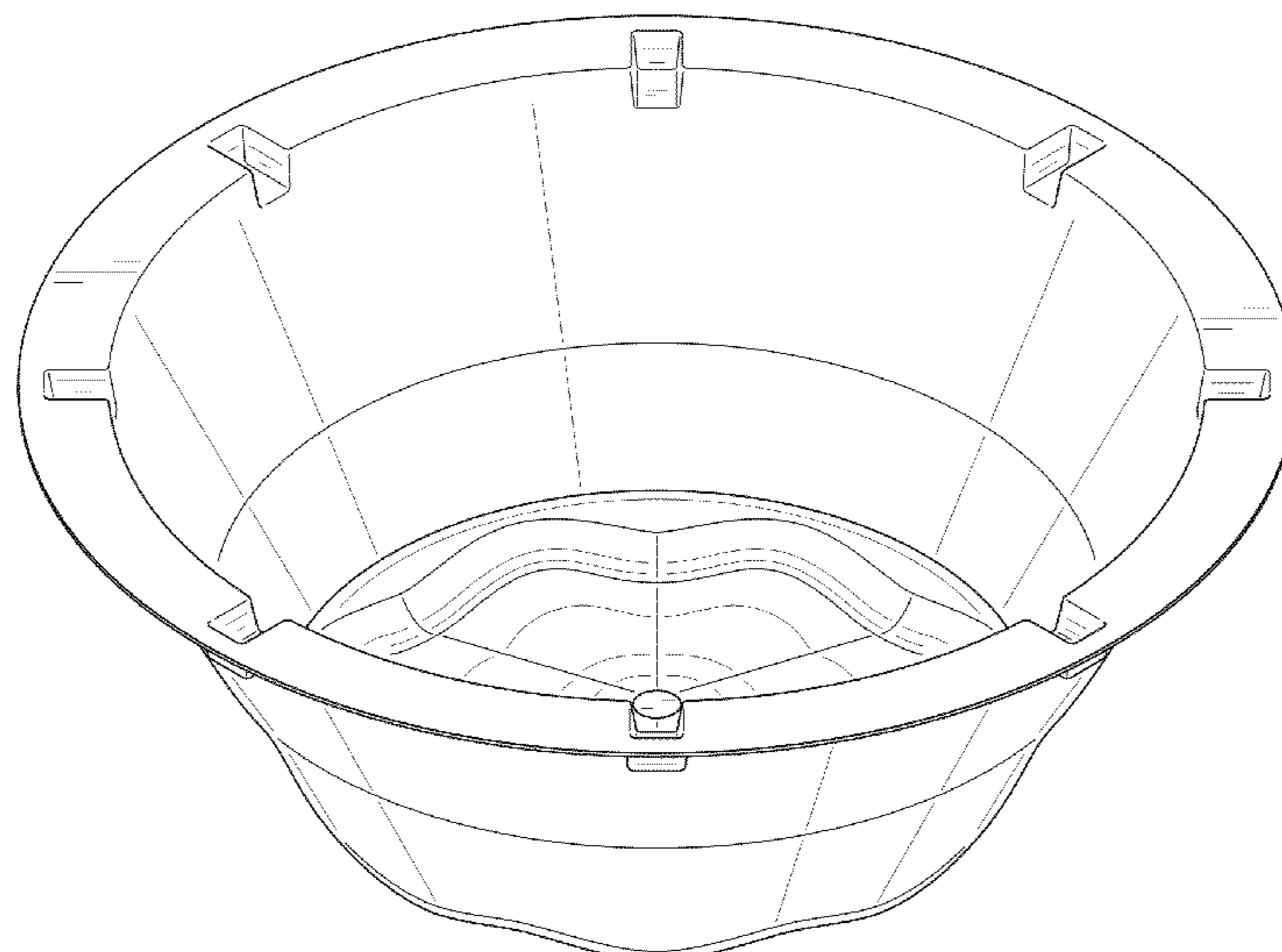
(56) **References Cited**

**U.S. PATENT DOCUMENTS**

D249,110 S 8/1978 Newmark  
4,135,512 A 1/1979 Godsey  
D285,515 S 9/1986 Papciak  
5,067,666 A 11/1991 Sussman  
D337,828 S 7/1993 Gordon  
D338,704 S \* 8/1993 Garrigos Ruiz ..... D23/209  
D343,451 S 1/1994 Voychekovski  
5,553,793 A 9/1996 Klearman et al.  
D395,503 S 6/1998 Kushnir  
D404,257 S \* 1/1999 Indekeu ..... D7/585  
6,059,209 A 5/2000 Barson

FIG. 1 is a perspective view of a cup for pill crushing accord-  
ing to the invention;  
FIG. 2 is a side elevational view thereof;  
FIG. 3 is a side elevational view thereof rotated 90° with  
respect to FIG. 2;  
FIG. 4 is a side elevational view thereof rotated 90° with  
respect to FIG. 3;  
FIG. 5 is a side elevational view thereof rotated 90° with  
respect to FIG. 4;  
FIG. 6 is a top plan view thereof; and,  
FIG. 7 is a bottom plan view thereof.

**1 Claim, 5 Drawing Sheets**



(56)

**References Cited**

U.S. PATENT DOCUMENTS

D561,528 S \* 2/2008 Bodum et al. .... D7/400  
D568,989 S \* 5/2008 Kammer et al. .... D24/123  
7,427,041 B2 9/2008 Hall et al.  
D592,011 S 5/2009 Fujimoto et al.

D593,795 S 6/2009 Tremblay  
7,543,770 B2 6/2009 Peron et al.  
7,559,496 B2 7/2009 Shewchuk  
D604,800 S 11/2009 Vreeland  
D620,607 S \* 7/2010 Anderson et al. .... D24/231  
D662,602 S \* 6/2012 Foster et al. .... D24/220

\* cited by examiner

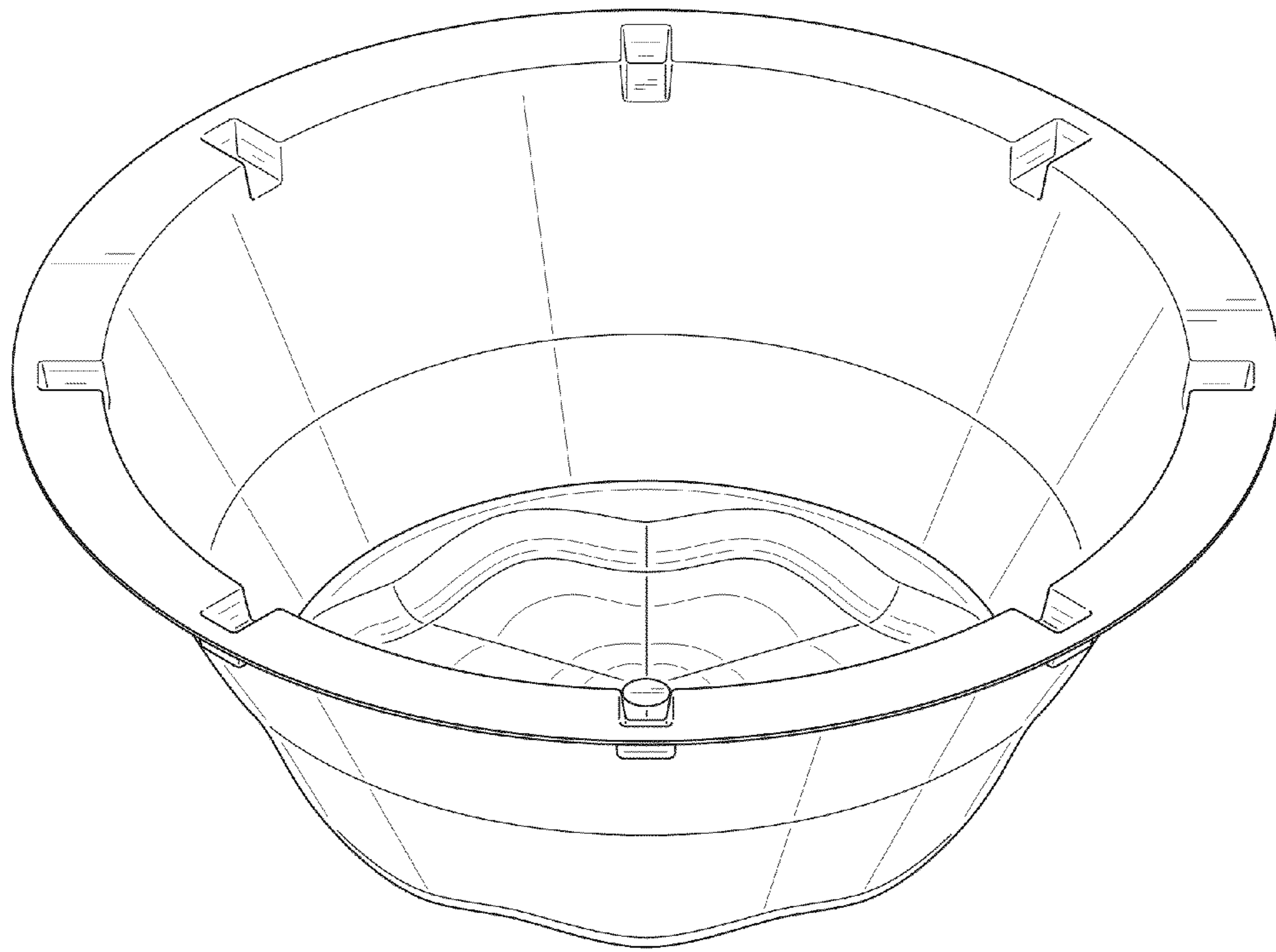


FIG. 1

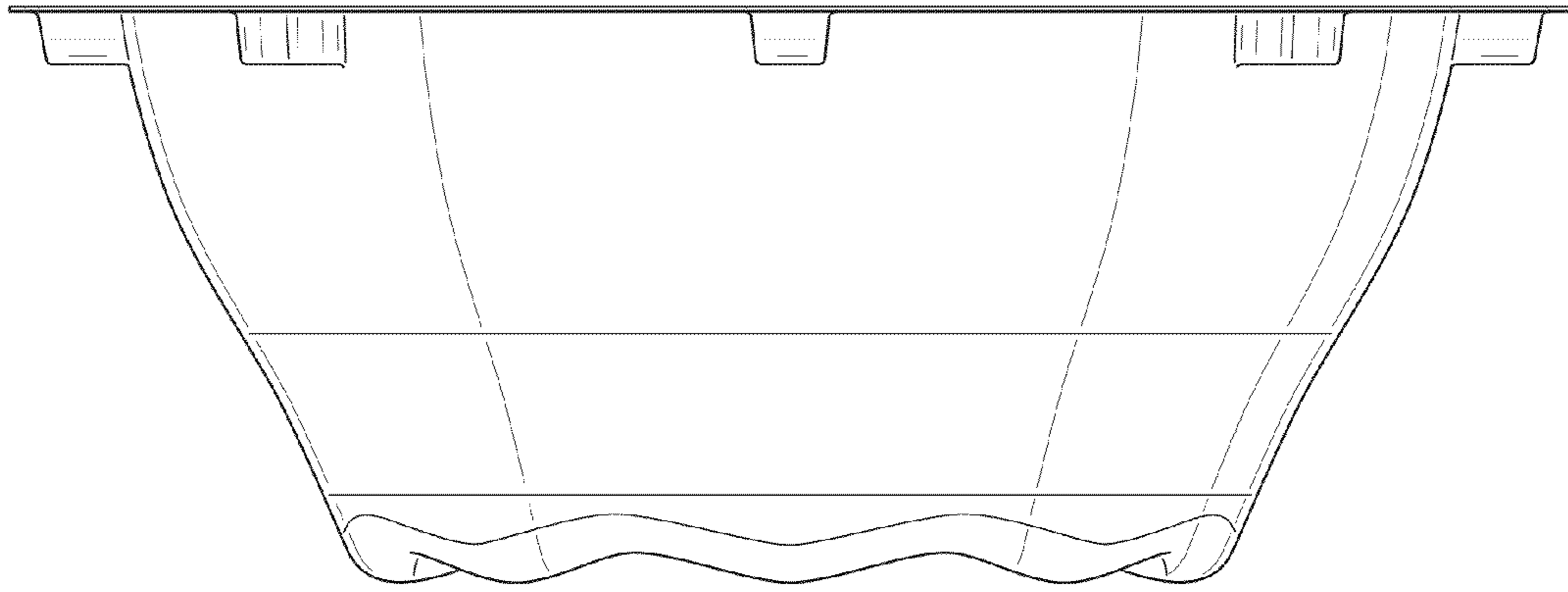


FIG. 2

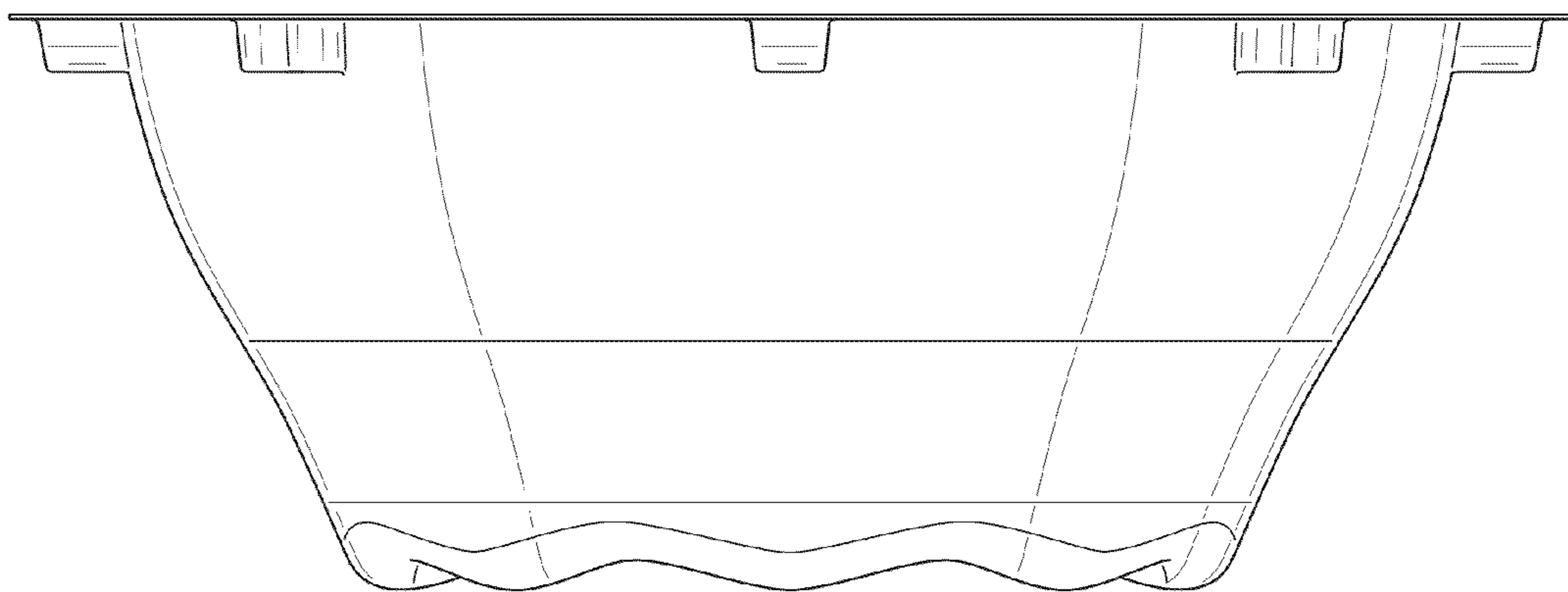


FIG. 3

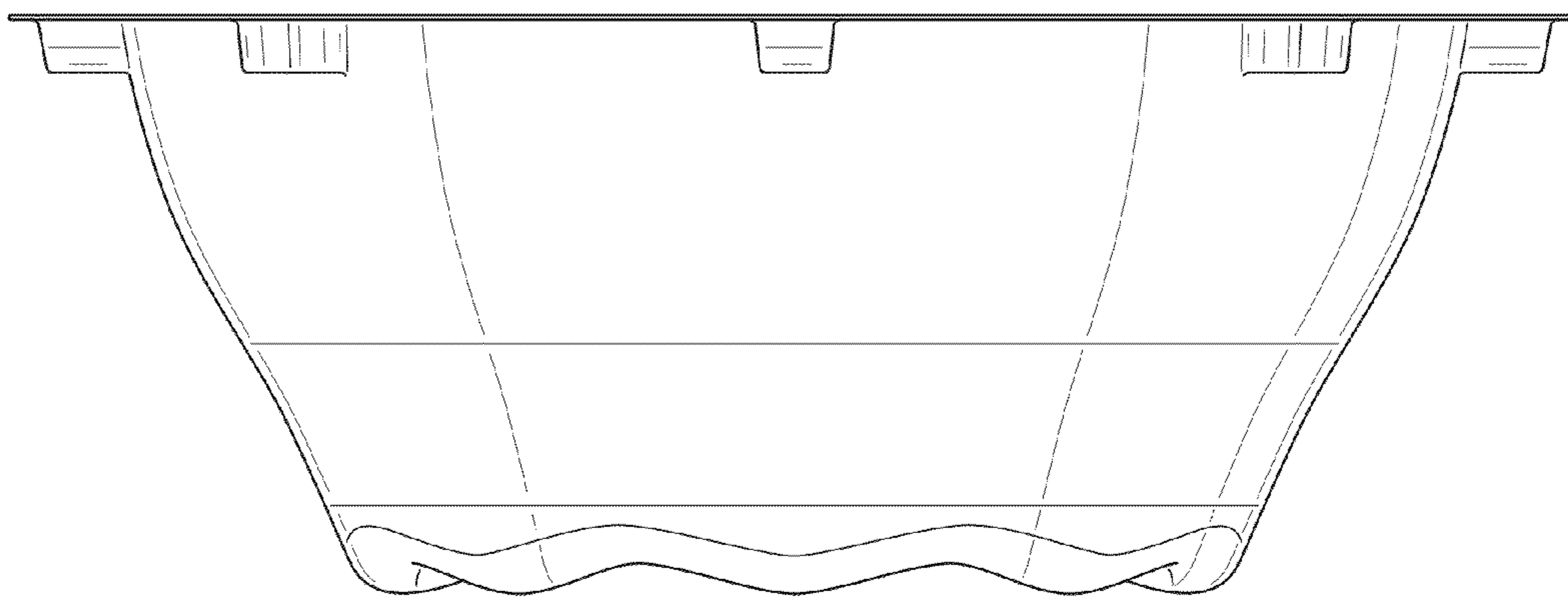


FIG. 4

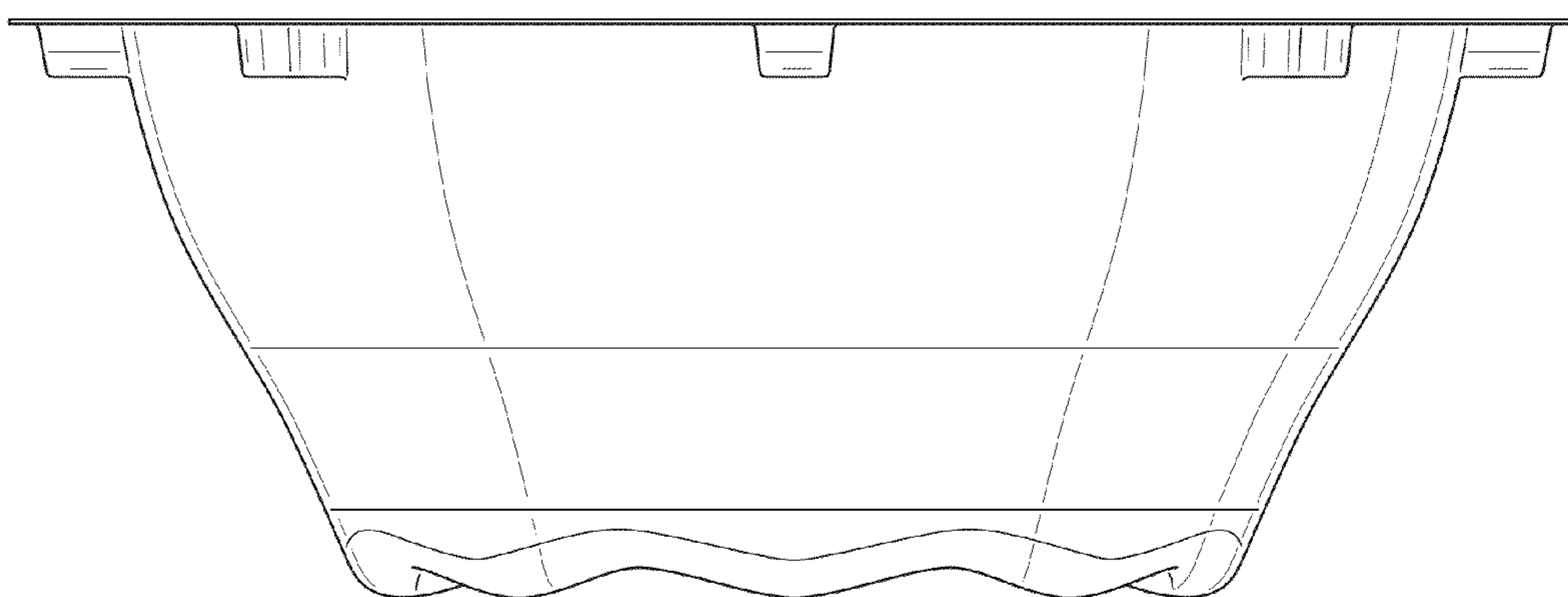


FIG. 5

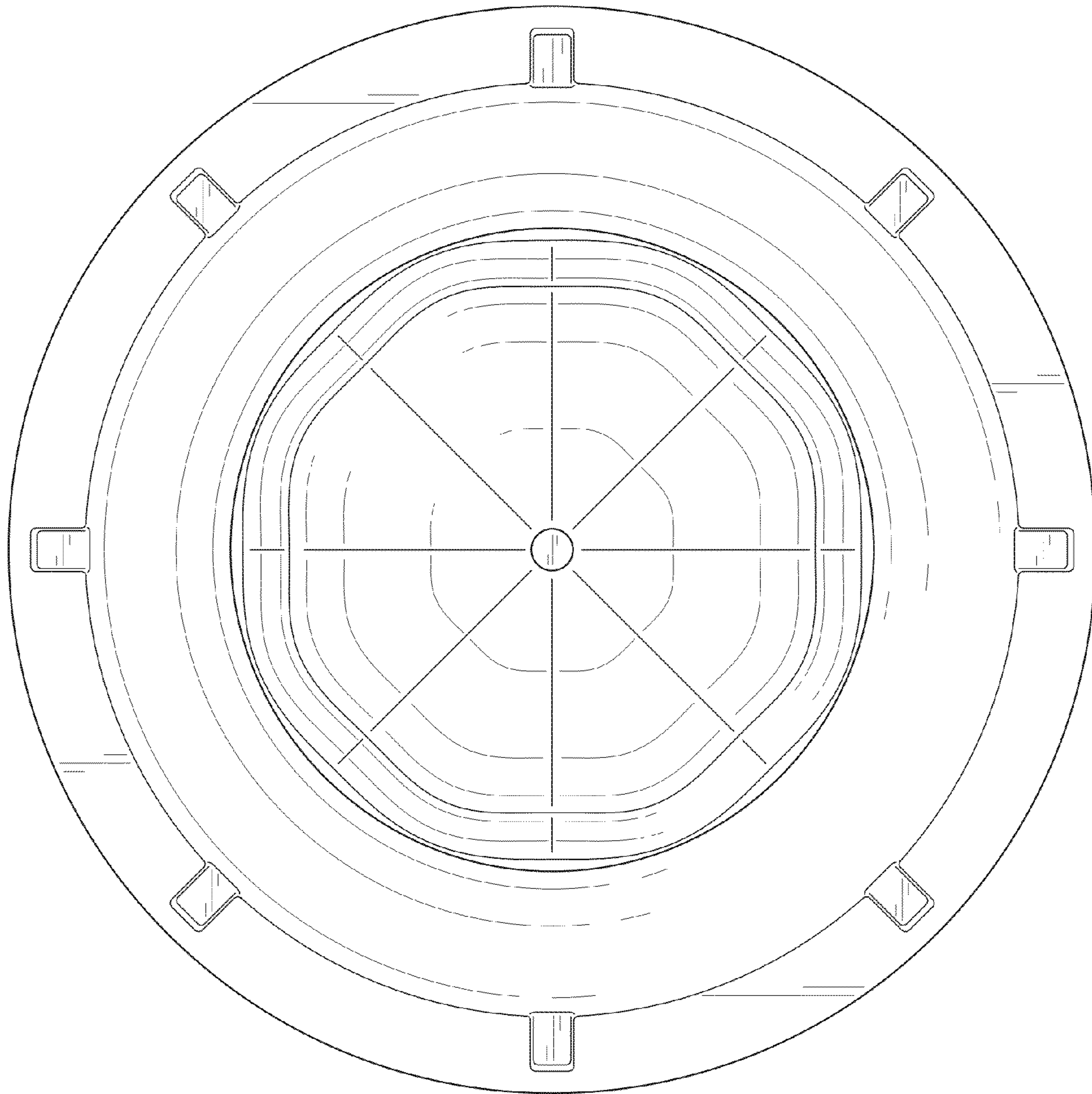


FIG. 6

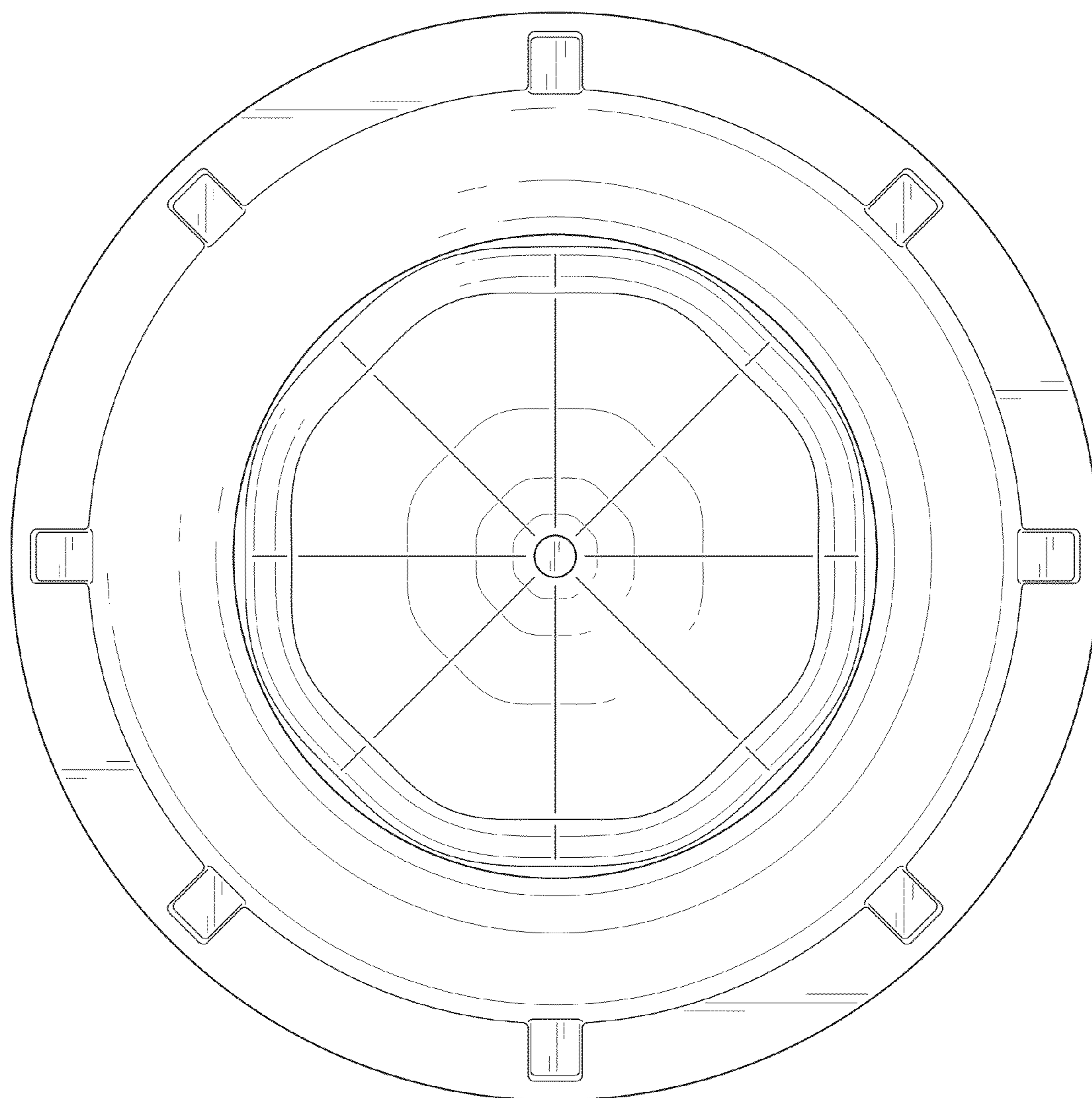


FIG. 7