



US00D694900S

(12) **United States Design Patent**
Hohl et al.

(10) **Patent No.:** **US D694,900 S**
(45) **Date of Patent:** **** Dec. 3, 2013**

(54) **CUP FOR PILL CRUSHING**
(75) Inventors: **Brian Hohl**, Tonawanda, NY (US);
Brian D. Bell, Wyoming, NY (US);
Douglas Dufaux, Orchard Park, NY
(US); **David Rowlands**, Honeoye Falls,
NY (US)

D433,148 S 10/2000 Dennis
D474,836 S 5/2003 Chang
6,637,685 B1 10/2003 Kruger
D514,398 S 2/2006 Feil
D524,599 S 7/2006 Bodum
D530,807 S 10/2006 Miysgishima et al.
D545,622 S 7/2007 Gomez
D561,528 S * 2/2008 Bodum D7/400

(Continued)

(73) Assignee: **First Wave Products Group, LLC**,
Batavia, NY (US)

FOREIGN PATENT DOCUMENTS

(**) Term: **14 Years**

JP 2006-191270 7/2006
JP 2008-113233 5/2008

(21) Appl. No.: **29/428,083**

OTHER PUBLICATIONS

(22) Filed: **Jul. 25, 2012**

<https://www.promedsupply.com/ItemDetails.aspx?itemNum=500-MC1000-2&eID=11> searched RMS Jul. 10, 2013.*

(51) **LOC (9) Cl.** **24-02**

(52) **U.S. Cl.**
USPC **D24/220**

(58) **Field of Classification Search**
USPC D24/220, 221, 216, 224, 231, 232, 197,
D24/110, 133; D23/209, 365; D7/679, 682,
D7/372-374, 383, 384, 597, 400, 191, 545,
D7/509, 316, 565, 667, 317, 587; 241/168,
241/169, 169.1-169.2, 199.11, 273.2, 286,
241/262, 136, 30; D15/5; 604/708; 134/158
See application file for complete search history.

Primary Examiner — Robert M Spear
Assistant Examiner — Rhea Shields
(74) *Attorney, Agent, or Firm* — Katherine H. McGuire,
Esq.; Woods Oviatt Gilman LLP

(57) **CLAIM**
The ornamental design for a cup for pill crushing, as shown
and described.

DESCRIPTION

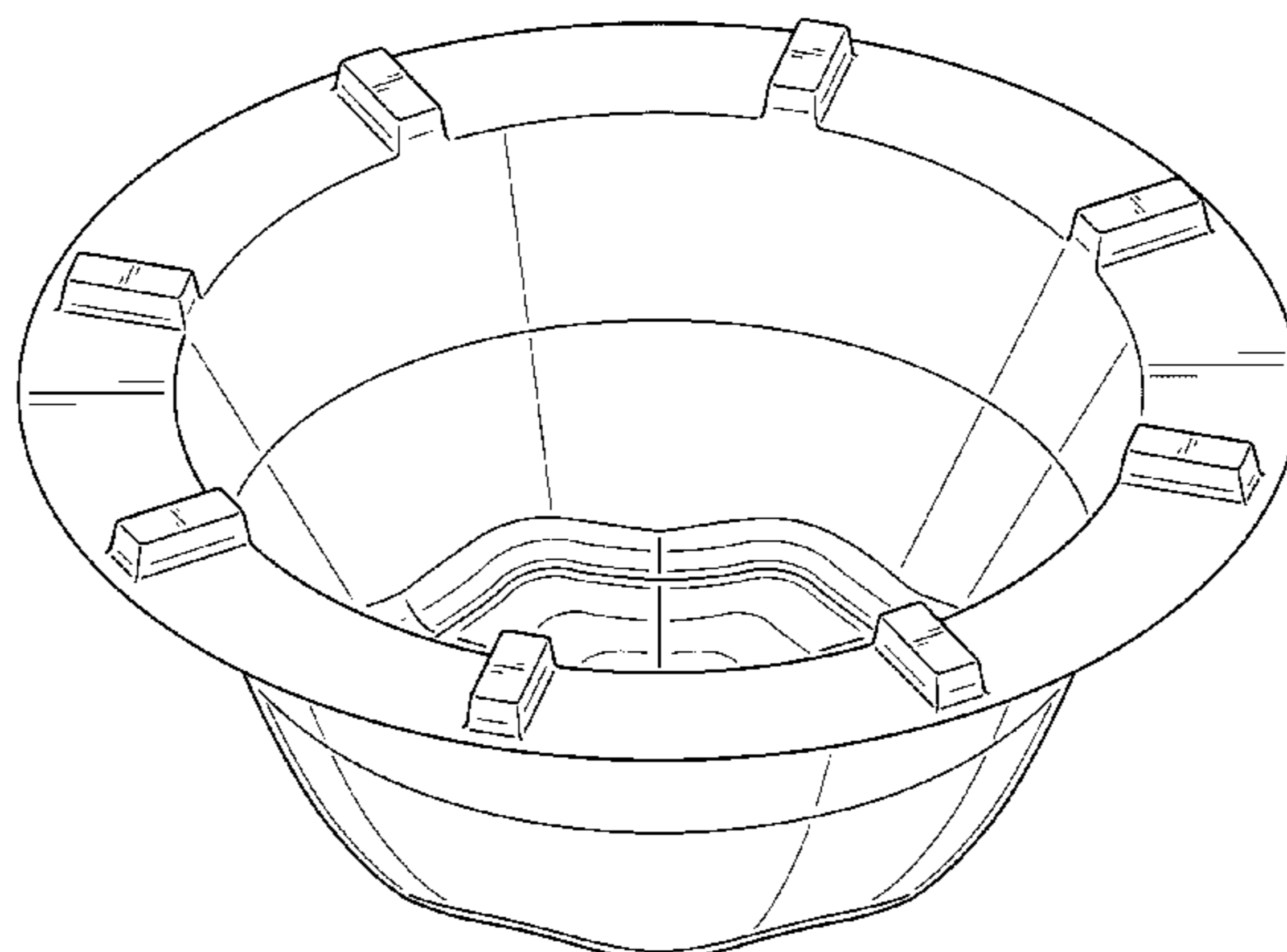
(56) **References Cited**

U.S. PATENT DOCUMENTS

D249,110 S 8/1978 Newmark
4,135,512 A 1/1979 Godsey
D285,515 S 9/1986 Papciak
5,067,666 A 11/1991 Sussman
D337,828 S 7/1993 Gordon
D338,704 S * 8/1993 Garrigos Ruiz D23/209
D343,451 S 1/1994 Voychekovski
5,553,793 A 9/1996 Klearman et al.
D395,503 S 6/1998 Kushnir
D404,257 S * 1/1999 Indekeu D7/585
6,059,209 A 5/2000 Barson

FIG. 1 is a perspective view of a cup according to the inven-
tion;
FIG. 2 is a side elevational view thereof;
FIG. 3 is a side elevational view thereof rotated 90° with
respect to FIG. 2;
FIG. 4 is a side elevational view thereof rotated 90° with
respect to FIG. 3;
FIG. 5 is a side elevational view thereof rotated 90° with
respect to FIG. 4;
FIG. 6 is a top plan view thereof; and,
FIG. 7 is a bottom plan view thereof.

1 Claim, 5 Drawing Sheets



US D694,900 S

Page 2

(56)

References Cited

U.S. PATENT DOCUMENTS

D568,989 S *	5/2008	Kammer et al.	D24/123	7,543,770 B2	6/2009	Peron et al.	
7,427,041 B2	9/2008	Hall et al.		7,559,496 B2	7/2009	Shewchuk	
D592,011 S	5/2009	Fujimoto et al.		D604,800 S	11/2009	Vreeland	
D593,795 S	6/2009	Tremblay		D620,607 S *	7/2010	Anderson et al.	D24/231
				D662,602 S *	6/2012	Foster et al.	D24/220

* cited by examiner

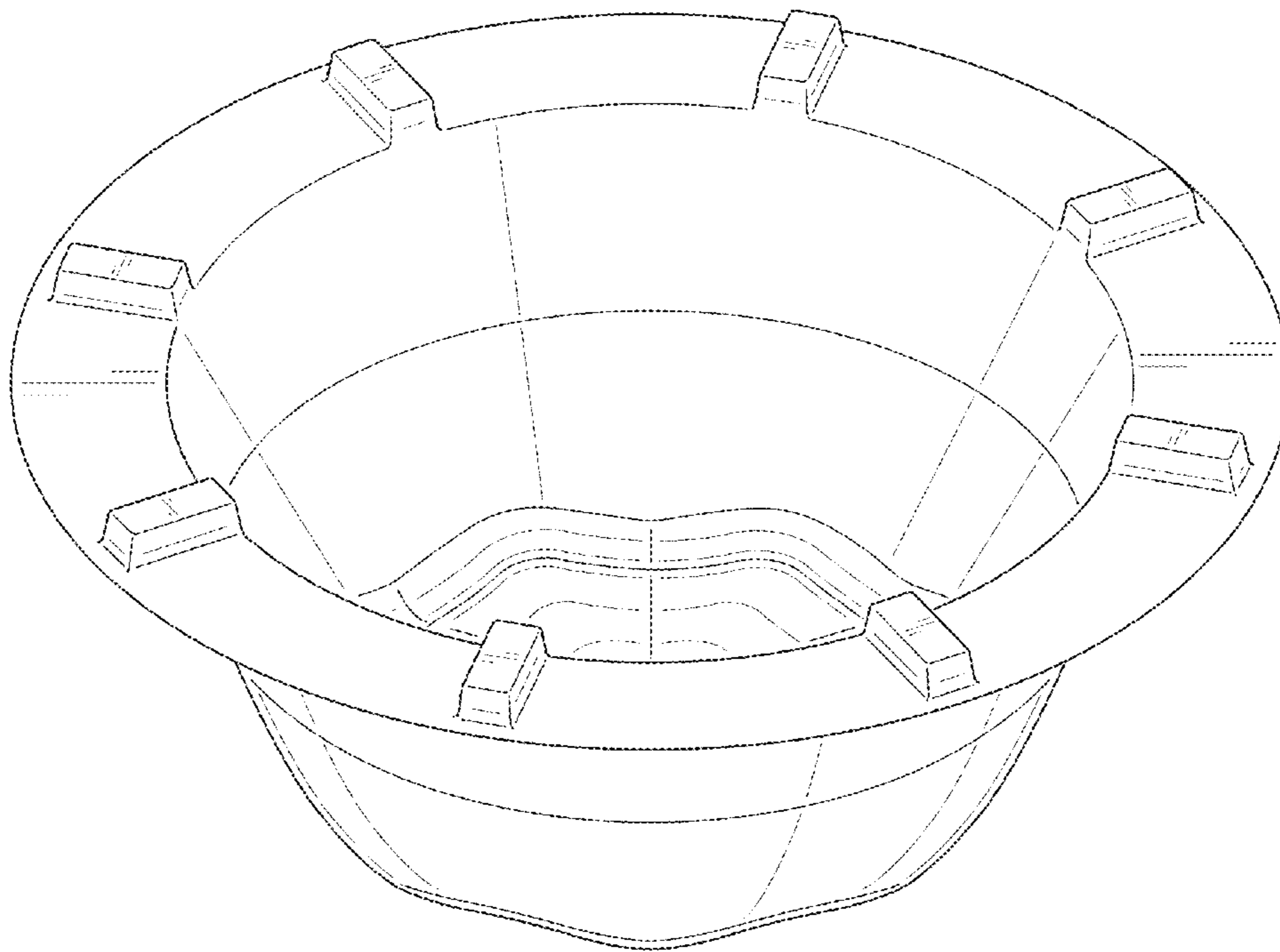


FIG. 1

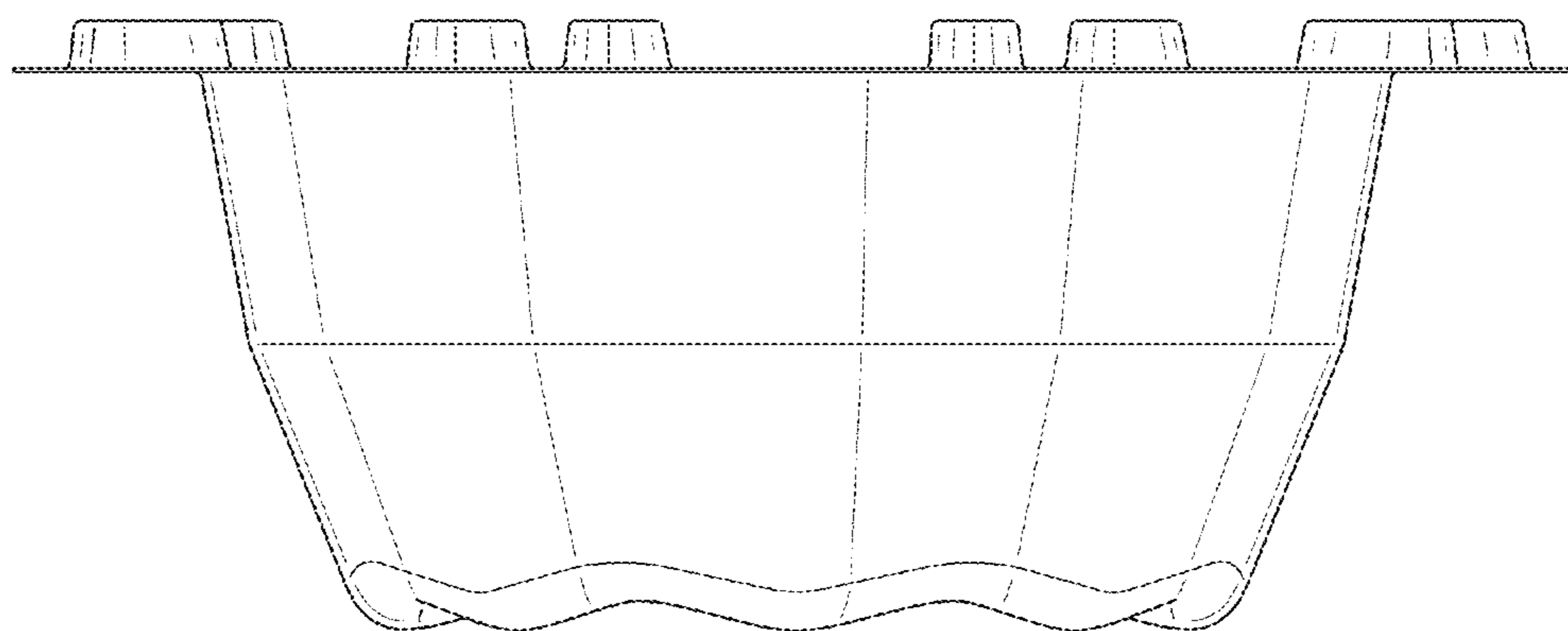


FIG. 2

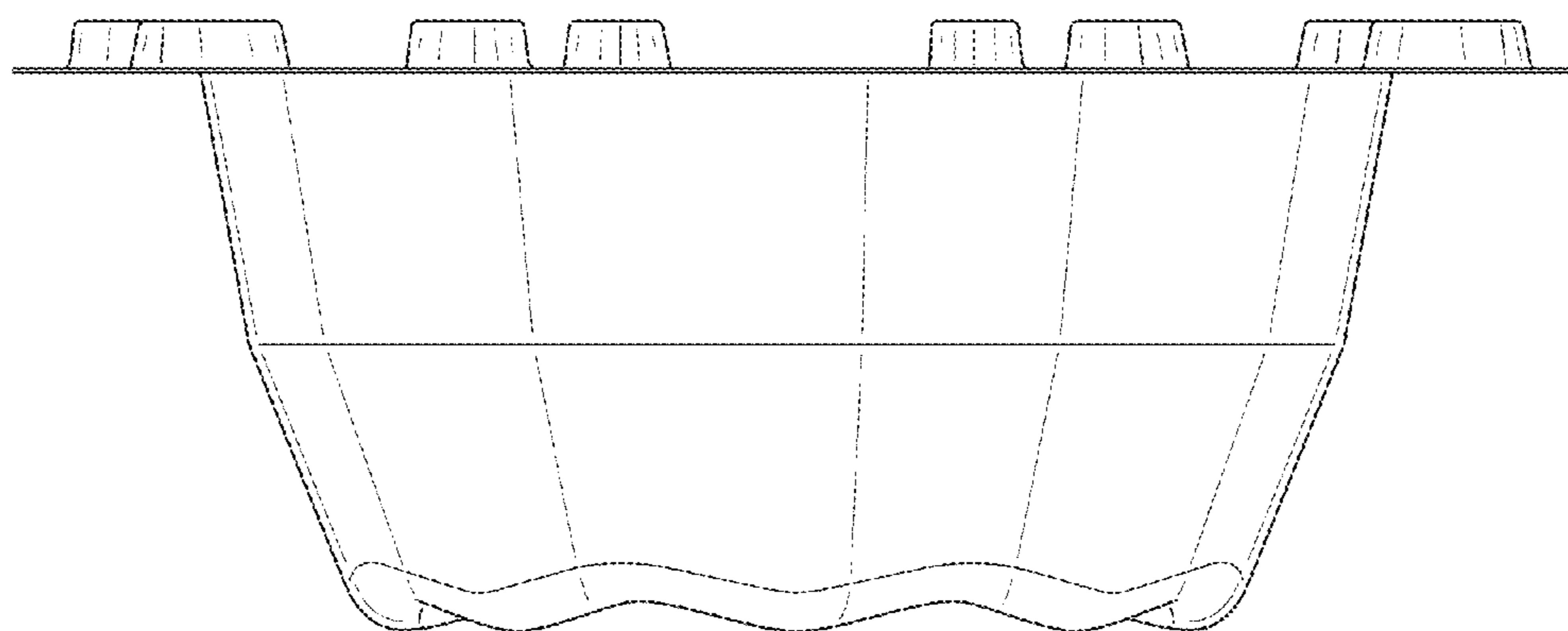


FIG. 3

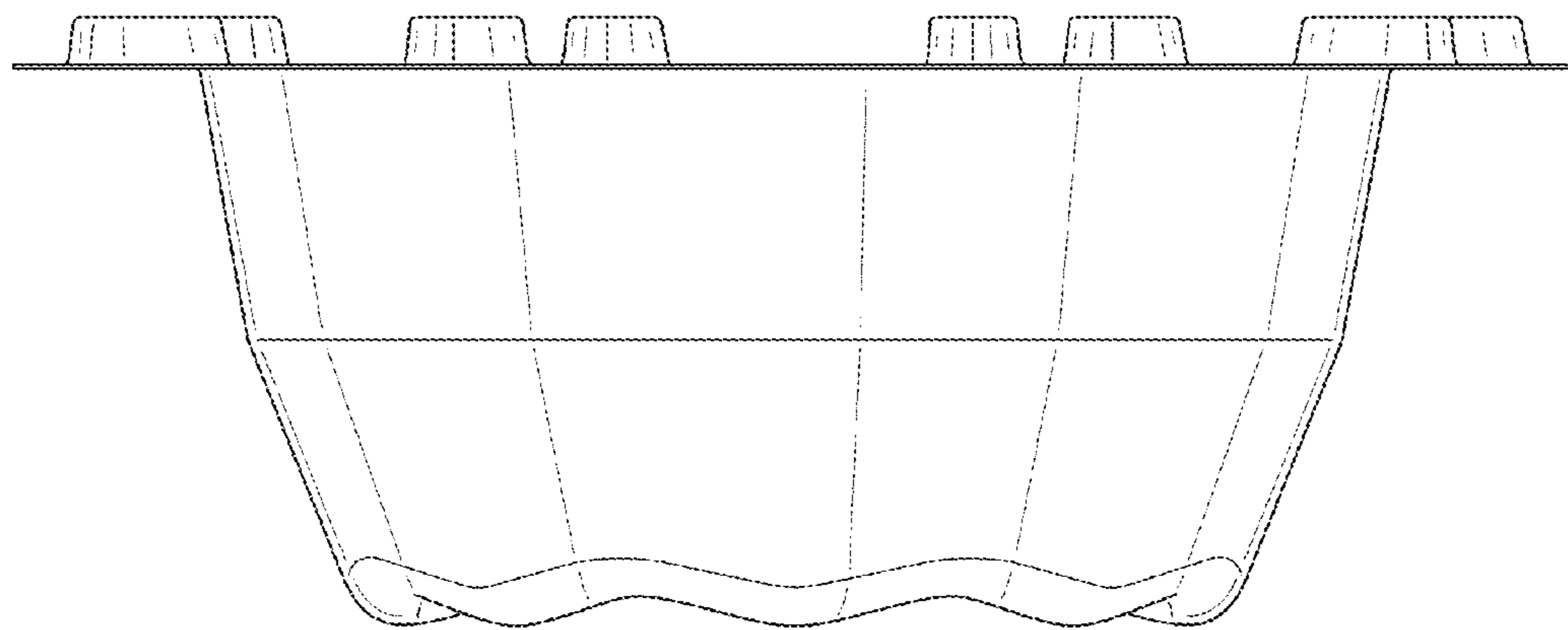


FIG. 4

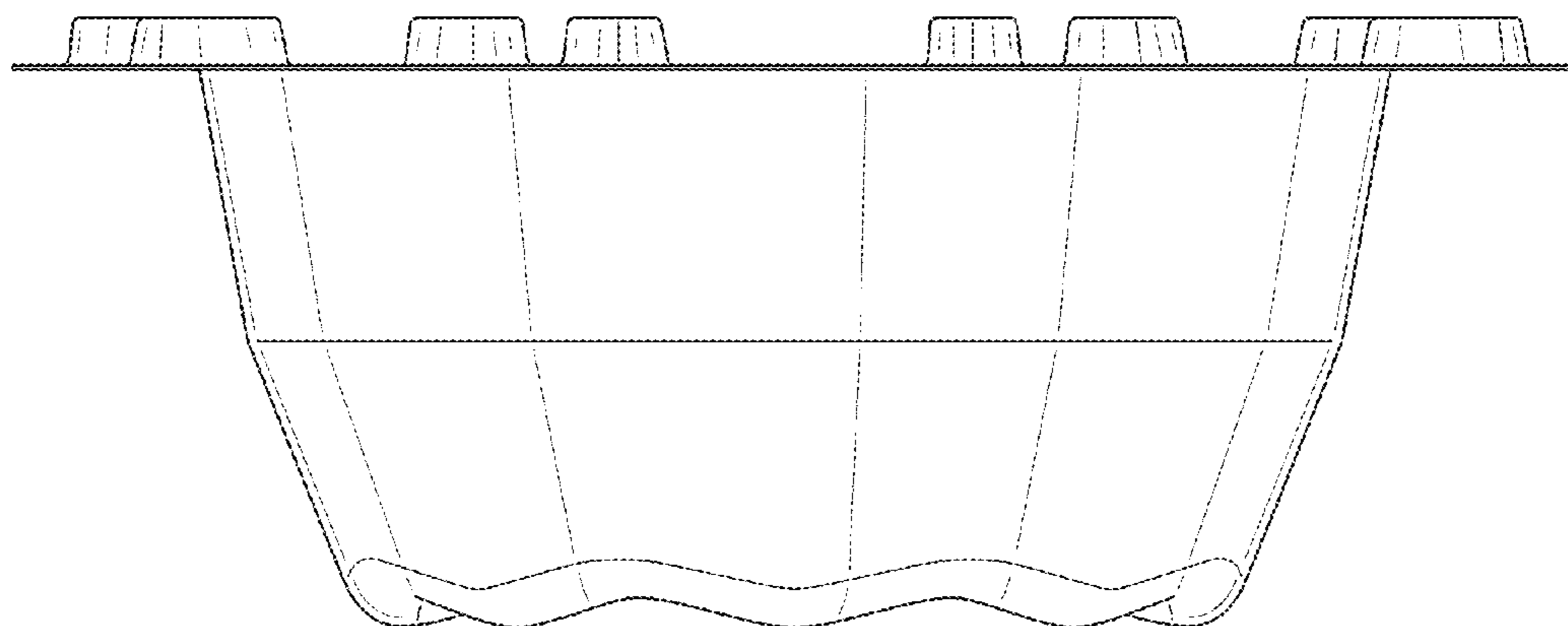


FIG. 5

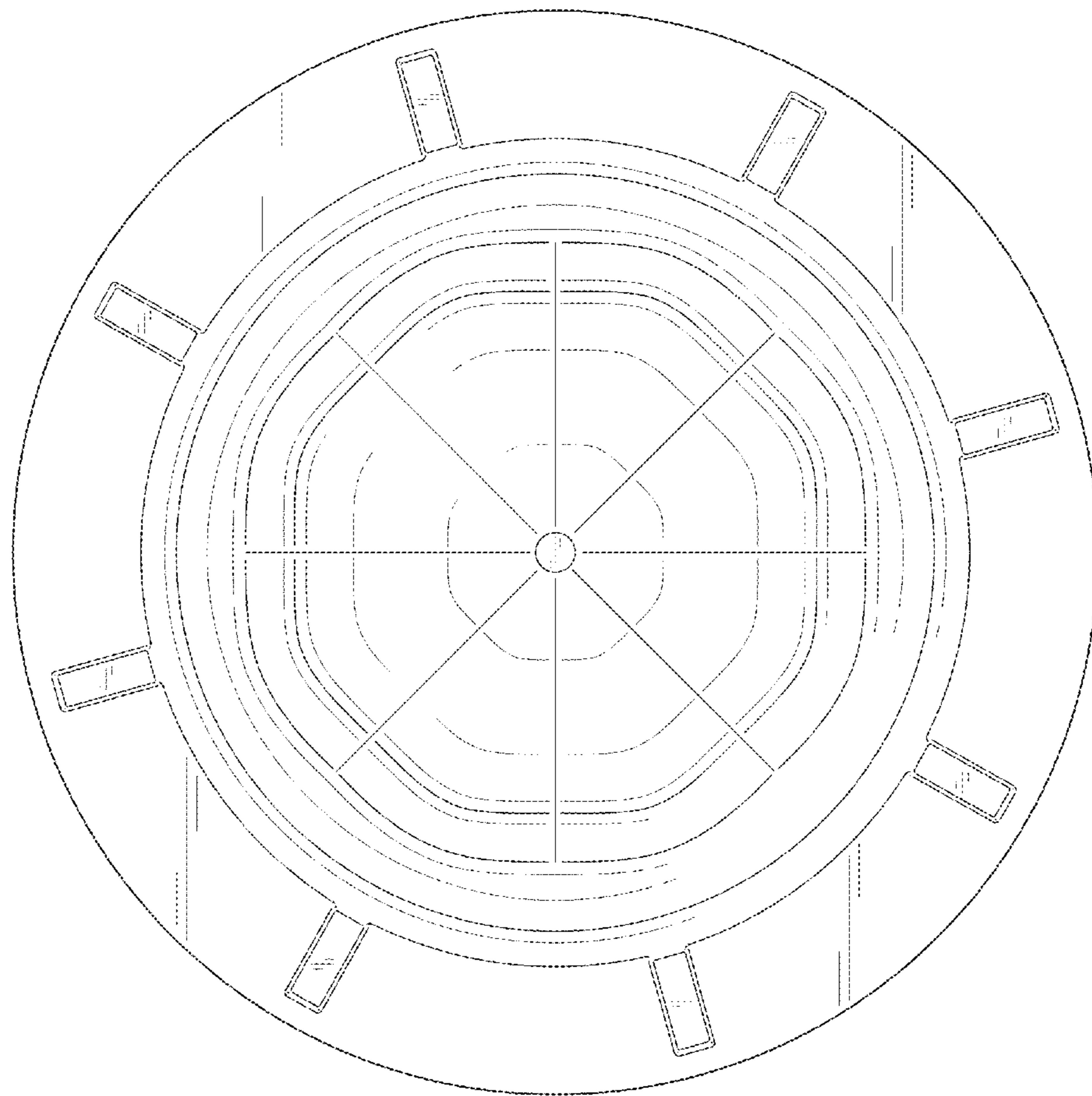


FIG. 6

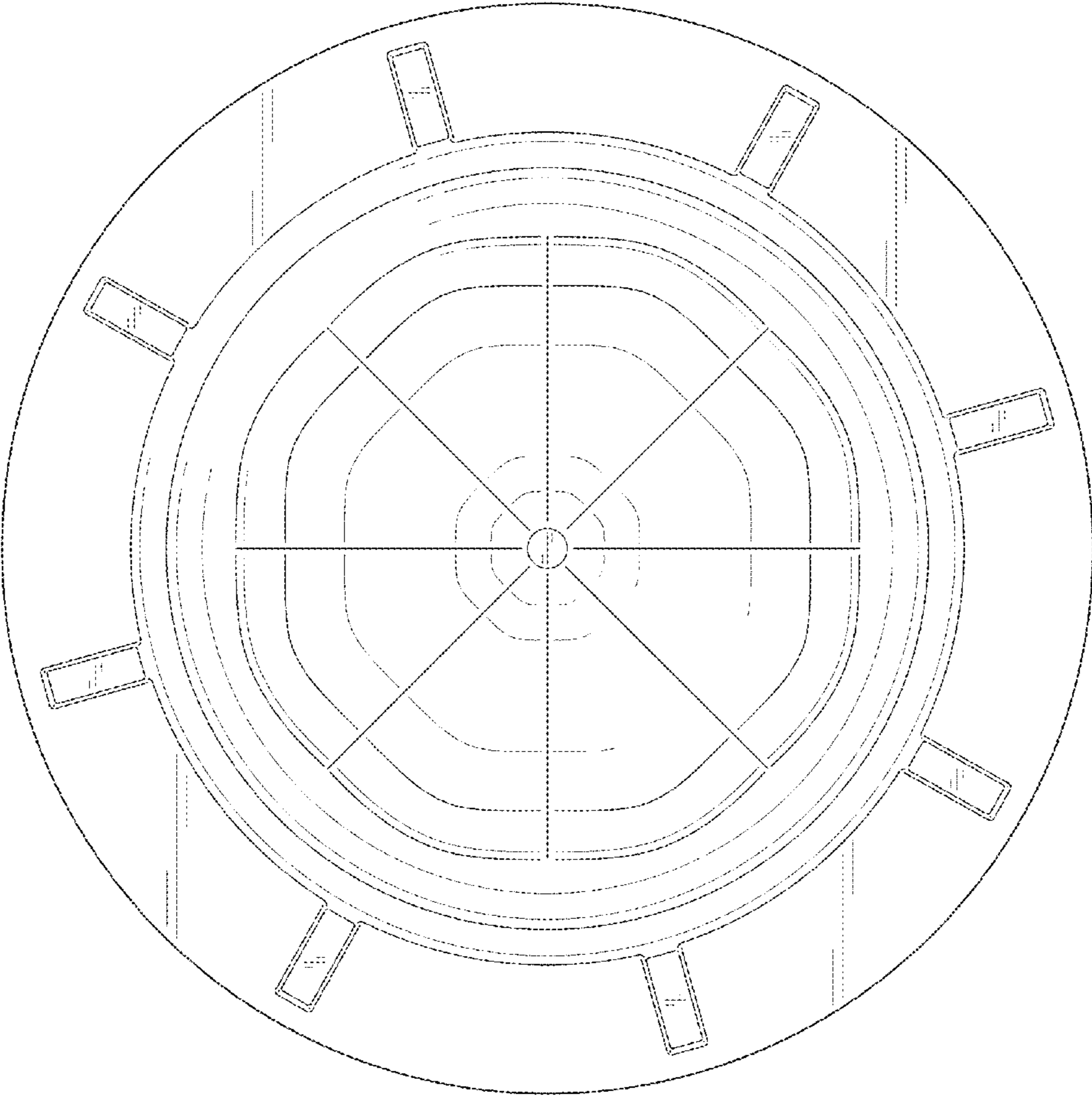


FIG. 7