



US00D694899S

(12) **United States Design Patent**
Cook et al.

(10) **Patent No.:** **US D694,899 S**
(45) **Date of Patent:** **** Dec. 3, 2013**

(54) **DIAGNOSTIC INSTRUMENT WITH A DISPLAY SCREEN**

(75) Inventors: **Richard Cook**, Derwood, MD (US);
Michael D. Nelson, Seattle, WA (US);
Nadine Wohlstadter, Madison, VA (US)

(73) Assignee: **Wellstat Diagnostics, LLC**,
Gaithersburg, MD (US)

(**) Term: **14 Years**

(21) Appl. No.: **29/420,956**

(22) Filed: **May 15, 2012**

(51) **LOC (9) Cl.** **24-01**

(52) **U.S. Cl.**
USPC **D24/216**

(58) **Field of Classification Search**
USPC D24/216, 217, 219, 223–226, 231, 232,
D24/107, 169, 186; D10/81; 422/500, 547,
422/62–65, 67; 435/287.1, 287.3; 436/43,
436/45, 47

See application file for complete search history.

(56) **References Cited**

U.S. PATENT DOCUMENTS

D381,749 S * 7/1997 Lawrence et al. D24/169
D404,140 S * 1/1999 Meguro D24/232

D421,653 S * 3/2000 Purcell D24/231
D467,349 S * 12/2002 Niedbala et al. D24/232
D474,279 S * 5/2003 Mayer et al. D24/232
D489,816 S * 5/2004 Ross D24/107
D631,968 S * 2/2011 Sevel D24/169
D638,545 S * 5/2011 Okawa et al. D24/186
8,008,091 B2 * 8/2011 Higashino et al. 436/180
8,046,175 B2 * 10/2011 Kuo et al. 422/63
2010/0273248 A1 * 10/2010 Ha et al. 435/287.3

* cited by examiner

Primary Examiner — Anhdao Doan

(74) *Attorney, Agent, or Firm* — Finnegan, Henderson,
Farabow, Garrett & Dunner, LLP

(57) **CLAIM**

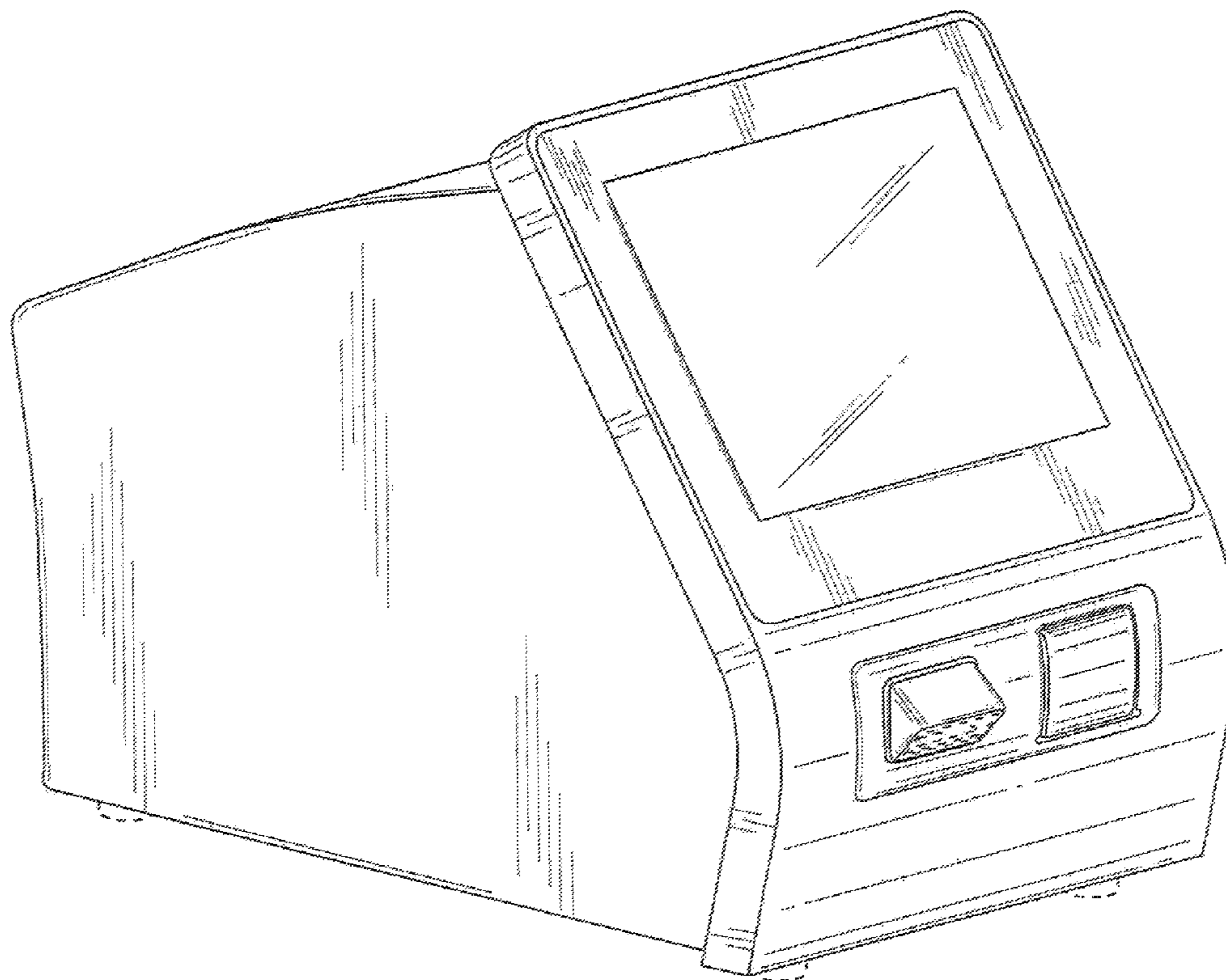
The ornamental design for a diagnostic instrument with a display screen, as shown and described.

DESCRIPTION

FIG. 1 is a left front perspective view of a diagnostic instrument with a display screen showing our new design; FIG. 2 is a right rear perspective view thereof; FIG. 3 is a front view thereof; FIG. 4 is a rear view thereof; FIG. 5 is a right side view thereof; FIG. 6 is a left side view thereof; and, FIG. 7 is a top plan view thereof.

The bottom view is plain and unornamented and is not part of the claimed design. The broken lines depict environmental structure and elements depicted in broken lines are not part of the claimed design.

1 Claim, 7 Drawing Sheets



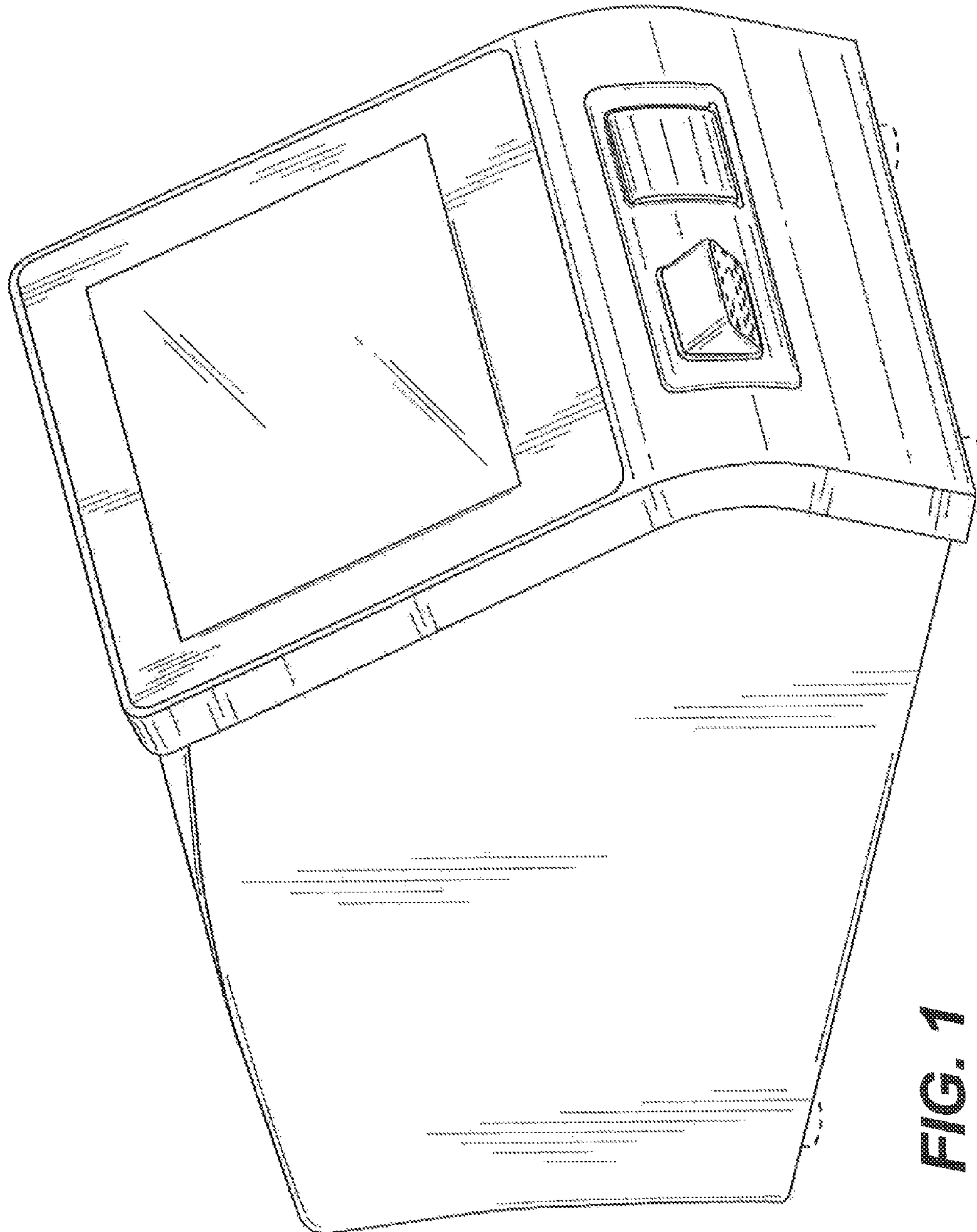
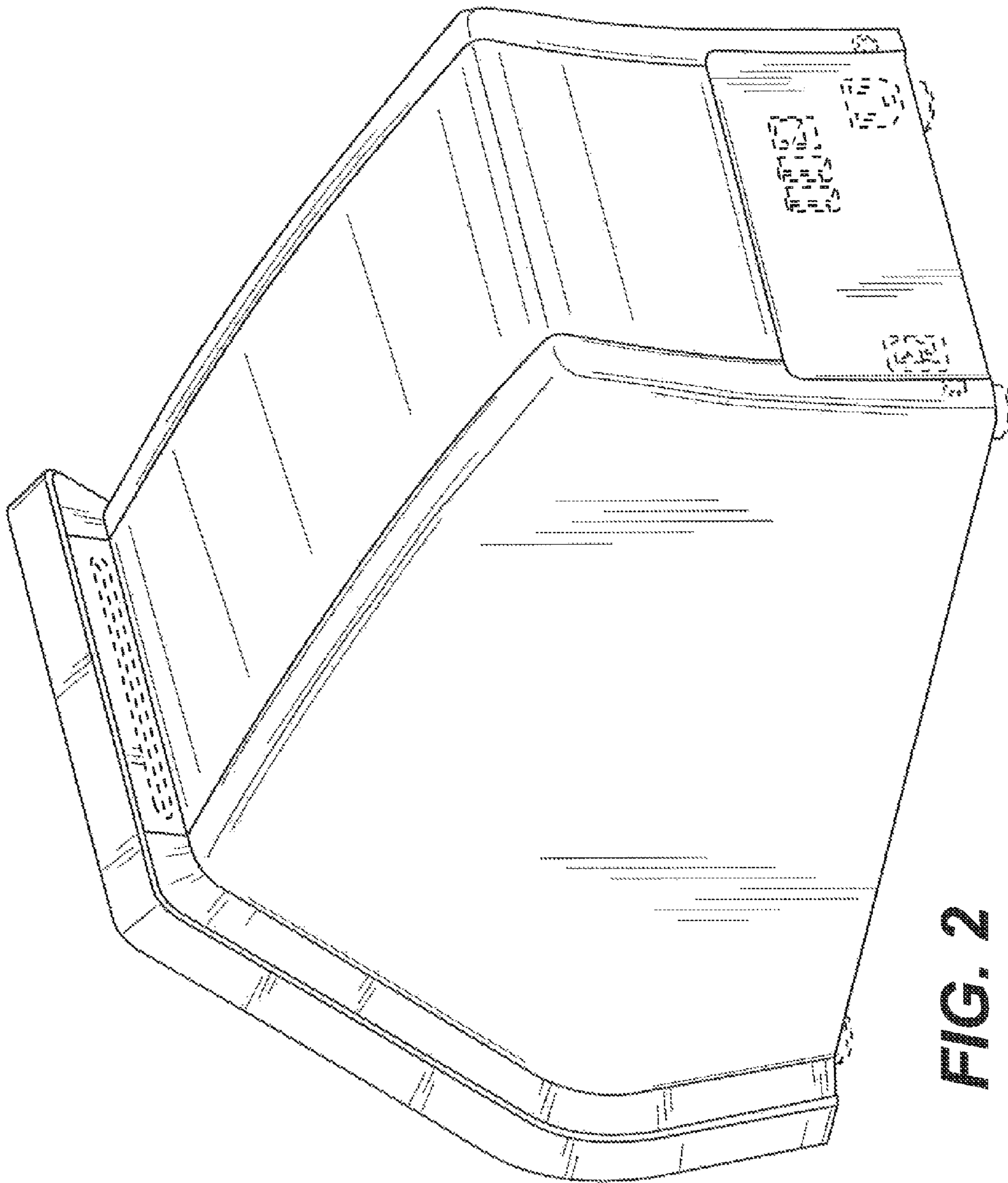


FIG. 1



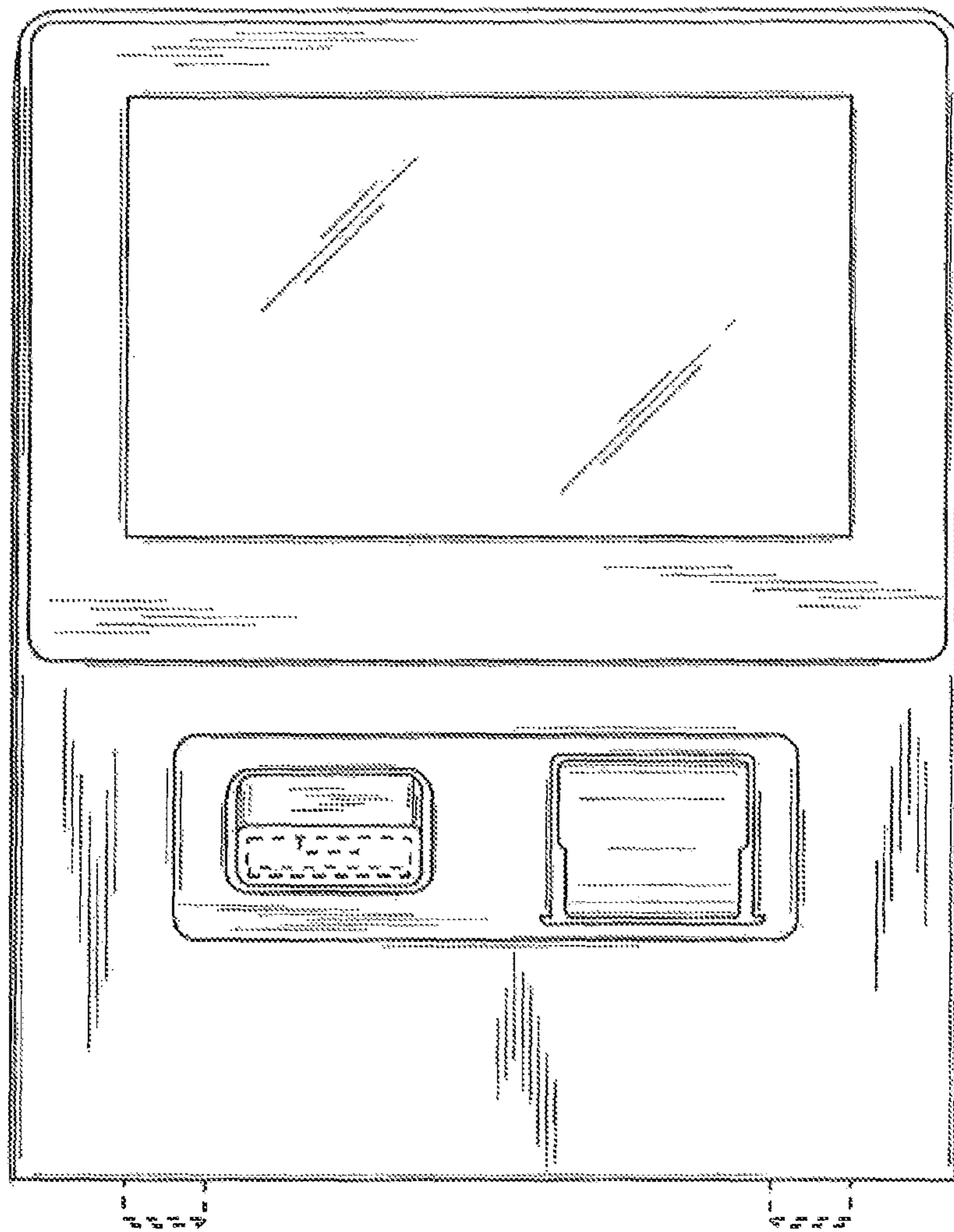


FIG. 3

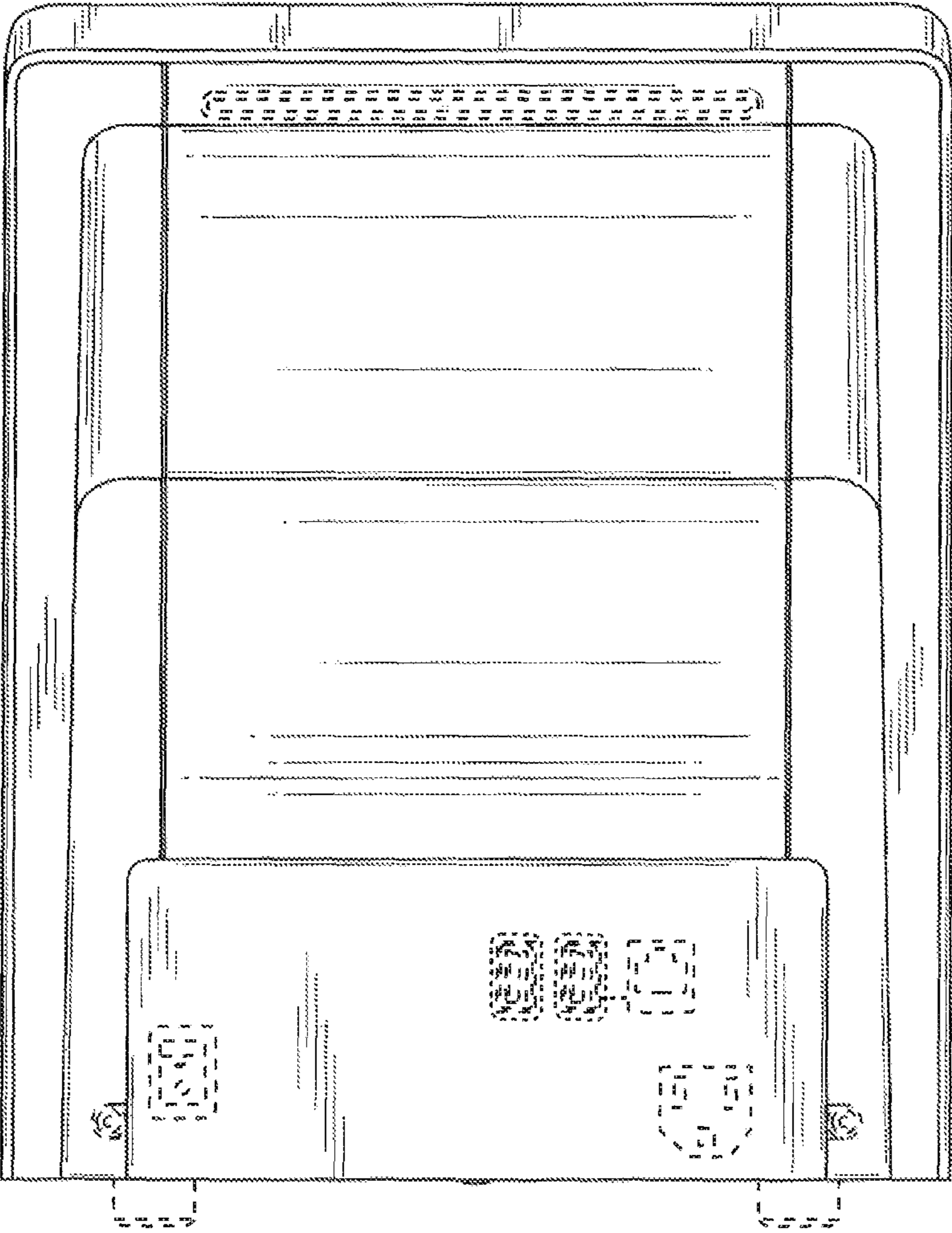


FIG. 4

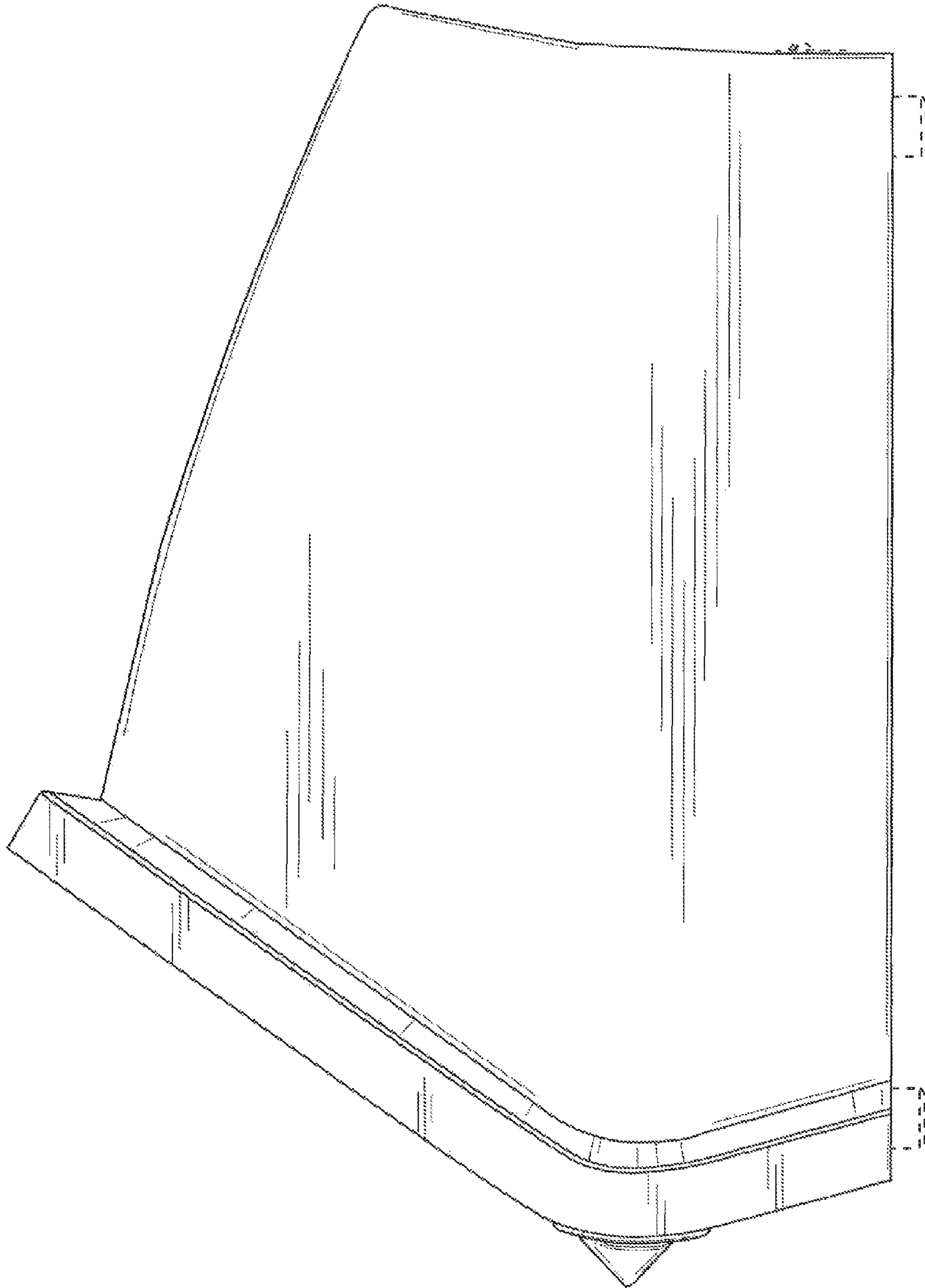


FIG. 5

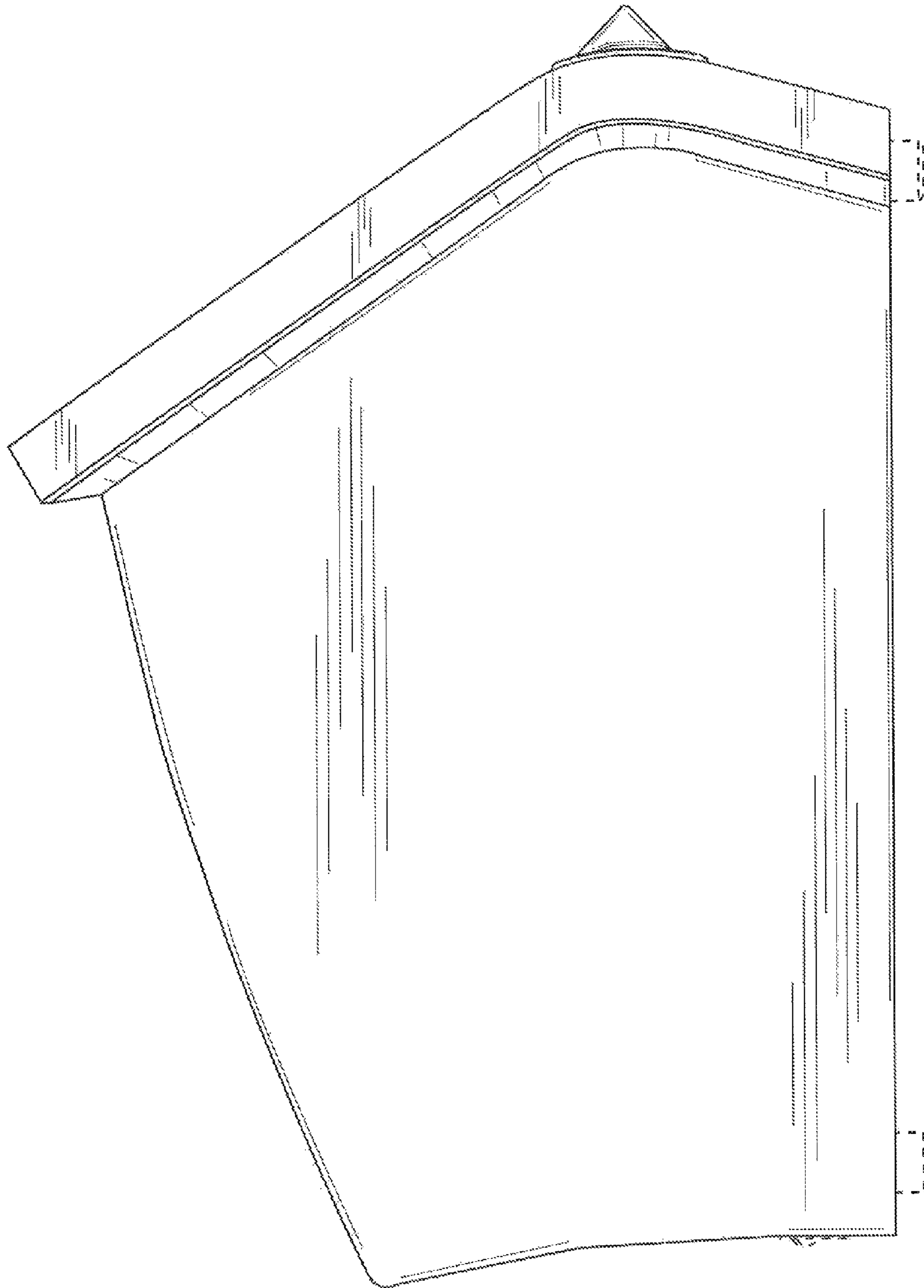


FIG. 6

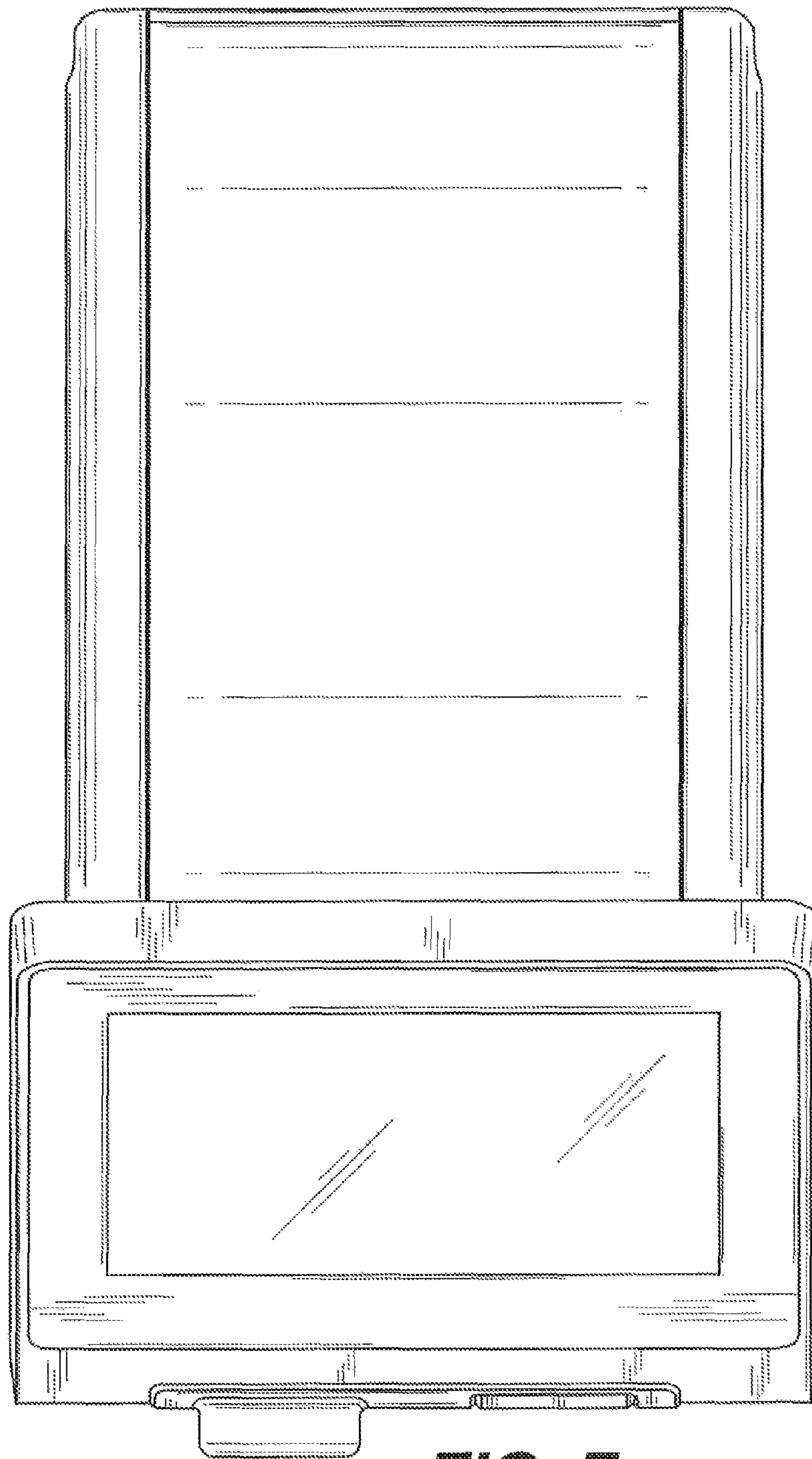


FIG. 7