

US00D694891S

(12) **United States Design Patent**  
**Dietrich**

(10) **Patent No.:** **US D694,891 S**  
(45) **Date of Patent:** **\*\* Dec. 3, 2013**

(54) **OPHTHALMOLOGIC INSTRUMENT**

(75) Inventor: **Andreas Dietrich**, Rebstein (CH)

(73) Assignee: **Oertli-Instrumente AG**, Berneck (CH)

(\*\*) Term: **14 Years**

(21) Appl. No.: **29/420,805**

(22) Filed: **May 14, 2012**

(30) **Foreign Application Priority Data**

Nov. 14, 2011 (WO) ..... DM/077 127

(51) **LOC (9) Cl.** ..... **24-99**

(52) **U.S. Cl.**  
USPC ..... **D24/172**

(58) **Field of Classification Search**  
USPC ..... D24/130, 143, 150, 164, 170, 171, 172,  
D24/183, 185, 186, 188, 190, 221, 234;  
351/206, 224, 226

See application file for complete search history.

(56) **References Cited**

**U.S. PATENT DOCUMENTS**

4,688,570 A \* 8/1987 Kramer et al. .... 606/166  
D565,733 S \* 4/2008 Andre ..... D24/147  
D622,382 S \* 8/2010 Richter et al. .... D24/135  
D623,741 S \* 9/2010 Kupferschmid et al. .... D24/135  
2009/0247936 A1 \* 10/2009 Escaf ..... 604/22

**OTHER PUBLICATIONS**

<http://www.khoslasurgical.com/OpInstrProd.aspx?SProd=45>

&Name=Capsule%20Polisher . . . \*

<http://www.katalystsurgical.com/instruments/cannulas/capsule-polisher-cannulas>.\*

\* cited by examiner

*Primary Examiner* — Robert M Spear

*Assistant Examiner* — Rhea Shields

(74) *Attorney, Agent, or Firm* — Sughrue Mion, PLLC

(57) **CLAIM**

The ornamental design for an ophthalmologic instrument, as shown and described.

**DESCRIPTION**

FIG. 1 is a perspective view of an ophthalmologic instrument that comprises my invention;

FIG. 2 is a further perspective view thereof;

FIG. 3 is a front elevation view thereof;

FIG. 4 is a rear elevation view thereof;

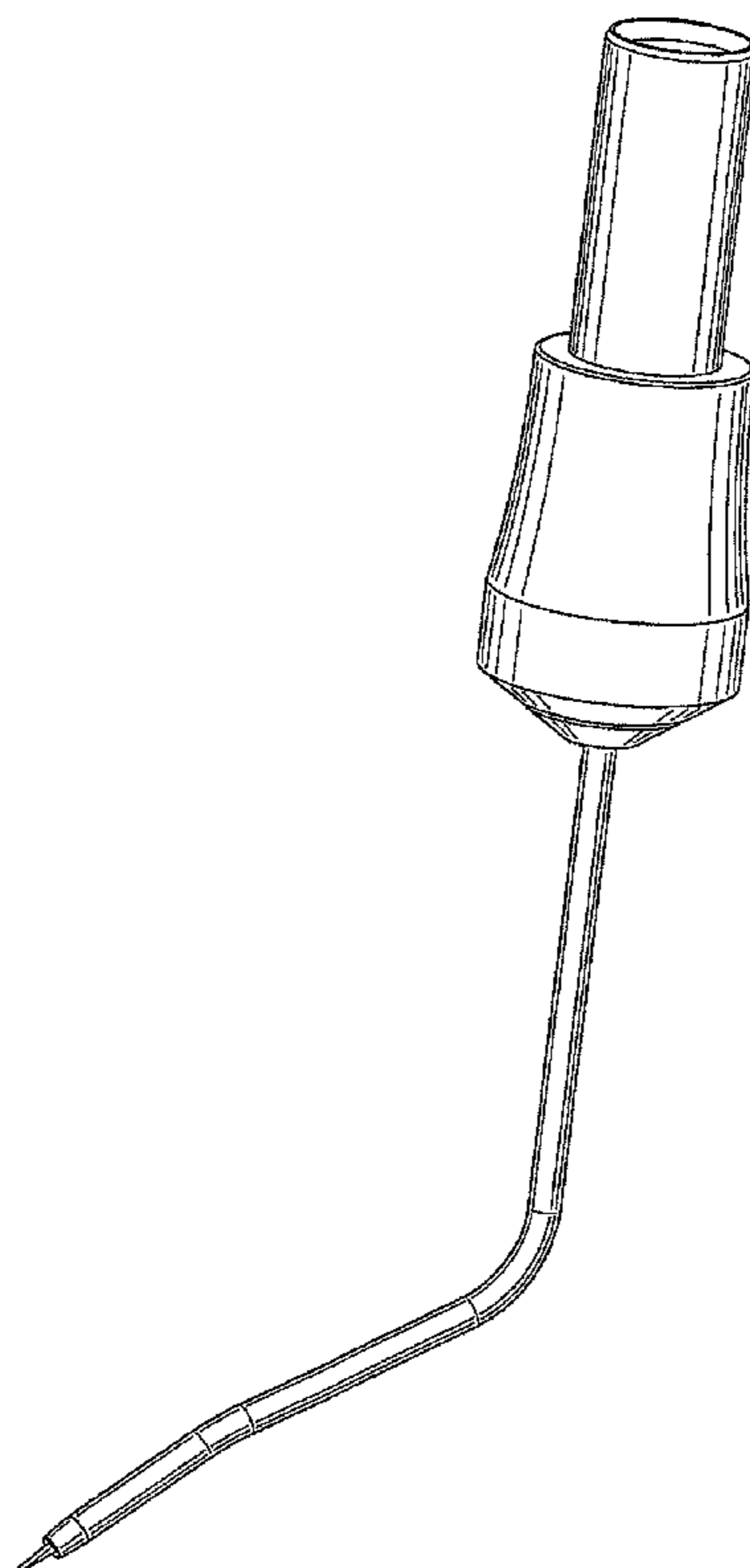
FIG. 5 is a right view thereof;

FIG. 6 is a left view thereof;

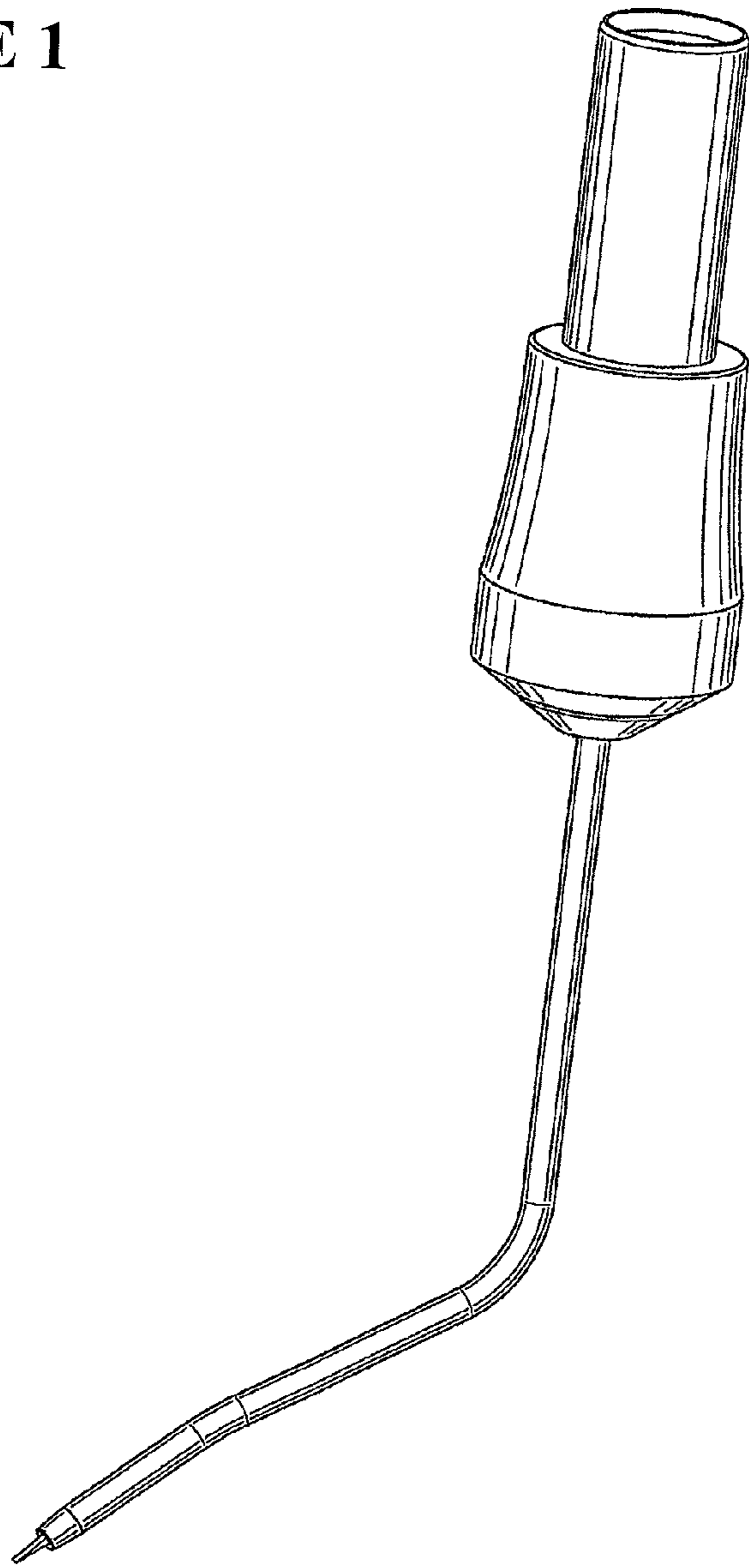
FIG. 7 is a top view thereof; and,

FIG. 8 is a bottom view thereof.

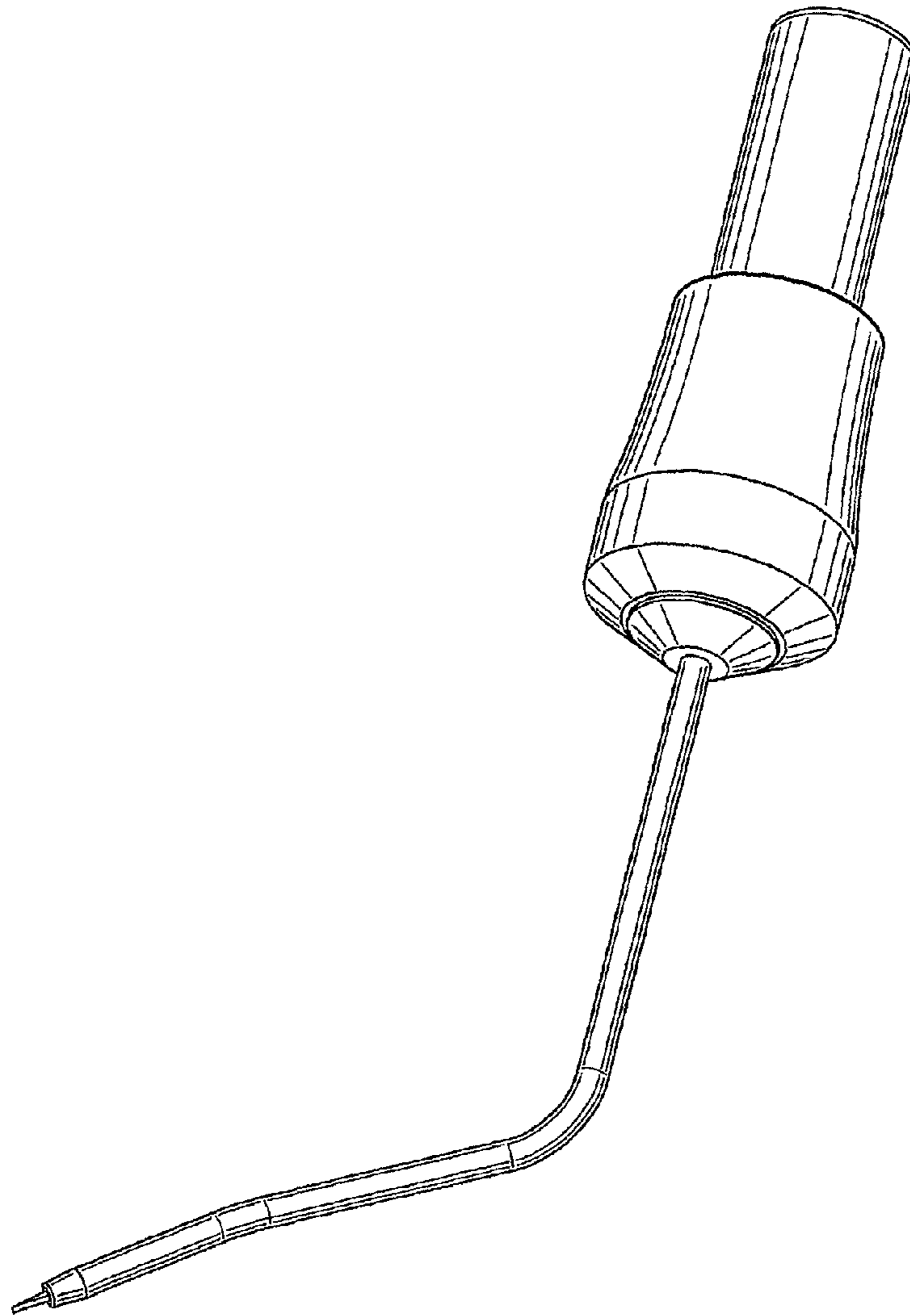
**1 Claim, 8 Drawing Sheets**



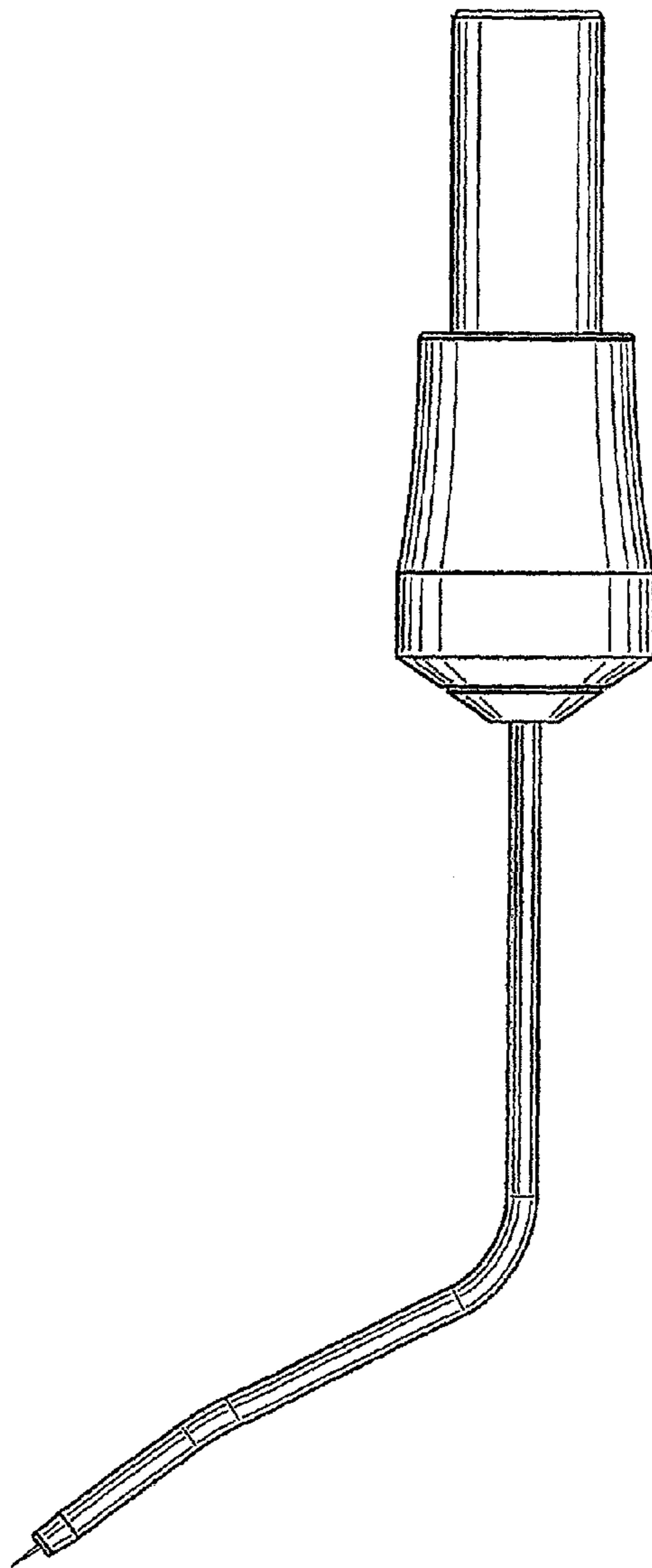
**FIGURE 1**



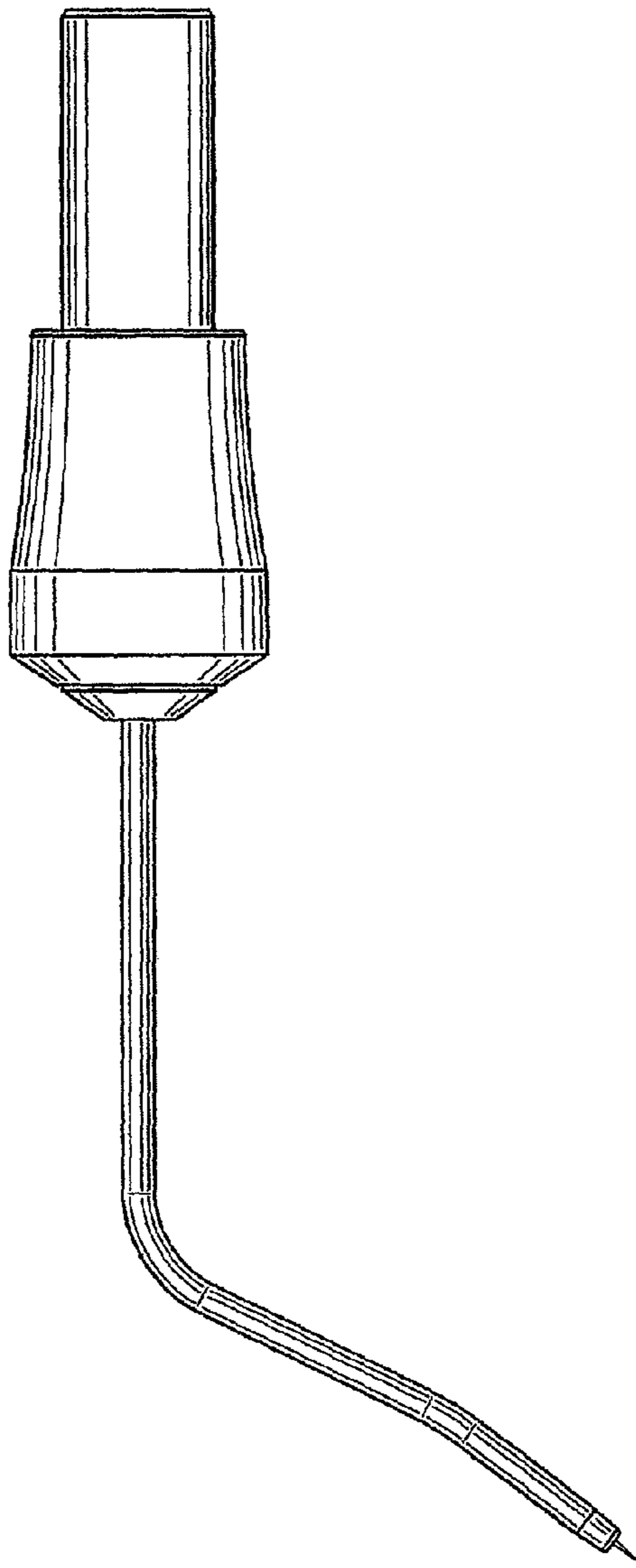
**FIGURE 2**



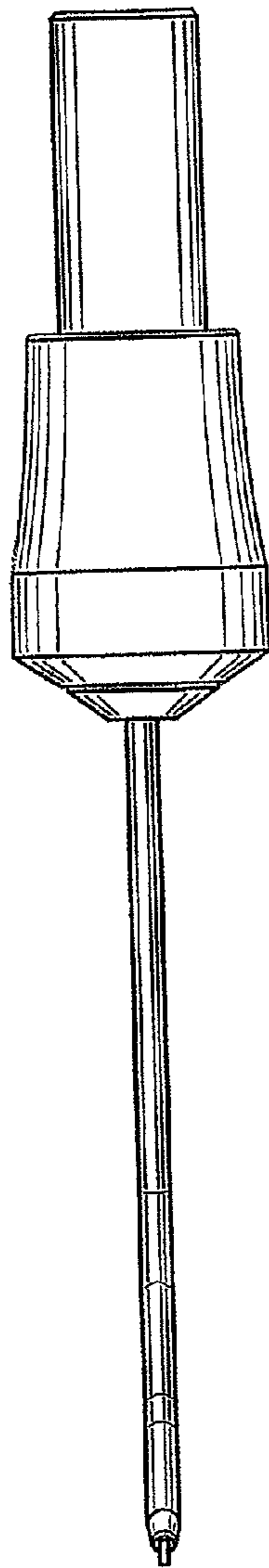
**FIGURE 3**



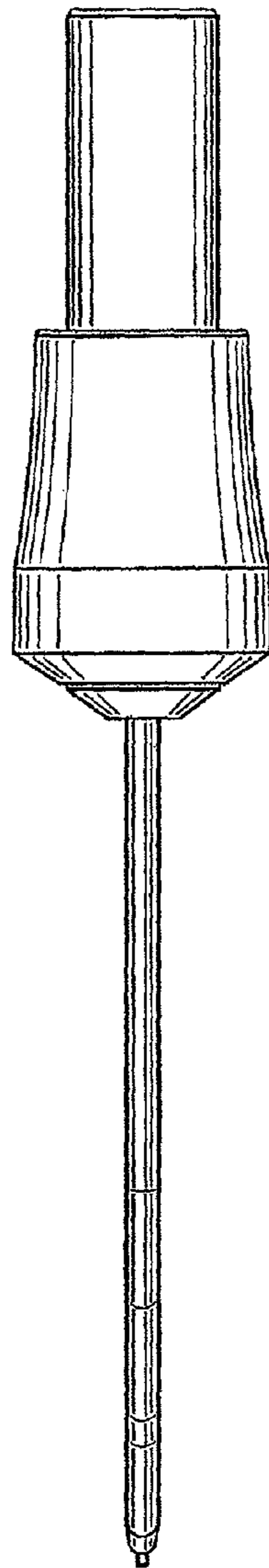
**FIGURE 4**



**FIGURE 5**



**FIGURE 6**



**FIGURE 7**

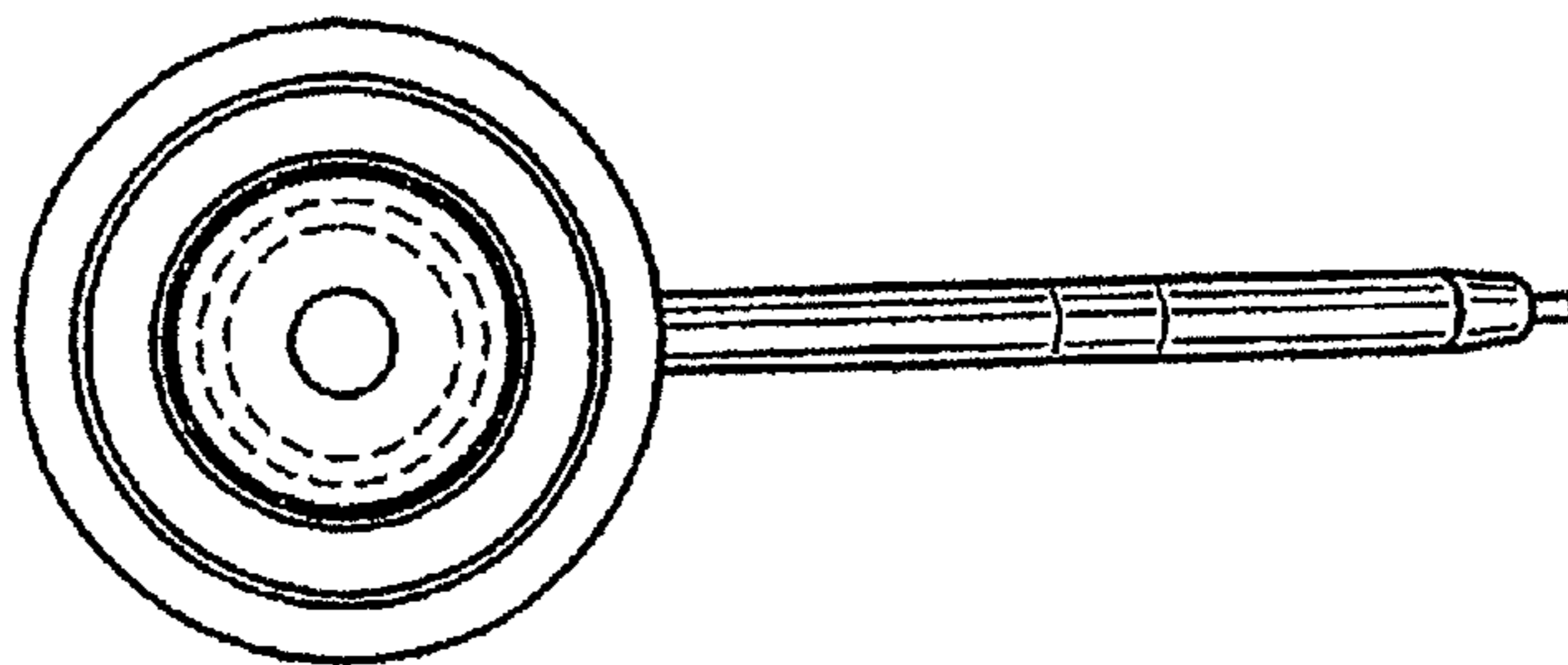




FIGURE 8

