



US00D694884S

(12) **United States Design Patent**
Mooradian et al.

(10) **Patent No.:** **US D694,884 S**
(45) **Date of Patent:** **** Dec. 3, 2013**

(54) **CUT GUIDE**

(75) Inventors: **Mark Mooradian**, Phoenix, AZ (US);
Matthew J. Lomicka, Fort Wayne, IN (US)

(73) Assignee: **Zimmer, Inc.**, Warsaw, IN (US)

(**) Term: **14 Years**

(21) Appl. No.: **29/412,639**

(22) Filed: **Feb. 6, 2012**

(51) **LOC (9) Cl.** **24-02**

(52) **U.S. Cl.**
USPC **D24/140**

(58) **Field of Classification Search**

USPC D24/133, 140, 155, 171; 606/1, 53, 79,
606/86 R, 87, 88, 89, 96, 98, 102, 166, 167,
606/169, 170, 171, 172, 176, 180, 237
See application file for complete search history.

(56) **References Cited**

U.S. PATENT DOCUMENTS

D273,895 S * 5/1984 Kenna D24/140
D274,091 S * 5/1984 Kenna D24/140
D274,092 S * 5/1984 Kenna D24/140
D367,706 S * 3/1996 Stalcup et al. D24/140
D376,202 S * 12/1996 Burke et al. D24/140
5,817,097 A * 10/1998 Howard et al. 606/87

D646,390 S * 10/2011 Bailey et al. D24/140
D651,316 S * 12/2011 May et al. D24/140
2004/0102785 A1 * 5/2004 Hodorek et al. 606/87
2004/0153085 A1 * 8/2004 Farling et al. 606/87
2005/0209598 A1 * 9/2005 Grimm et al. 606/86
2012/0239045 A1 * 9/2012 Li 606/88
2012/0316563 A1 * 12/2012 Metzger et al. 606/80

* cited by examiner

Primary Examiner — Bridget L Eland

(74) *Attorney, Agent, or Firm* — Schwegman, Lundberg & Woessner P.a.

(57) **CLAIM**

The ornamental design for a cut guide, as shown and described.

DESCRIPTION

FIG. 1 is a front top right perspective view of a cut guide incorporating our new design.

FIG. 2 is a front bottom left perspective view of the cut guide.

FIG. 3 is a top view of the cut guide.

FIG. 4 is a bottom view of the cut guide.

FIG. 5 is a front view of the cut guide.

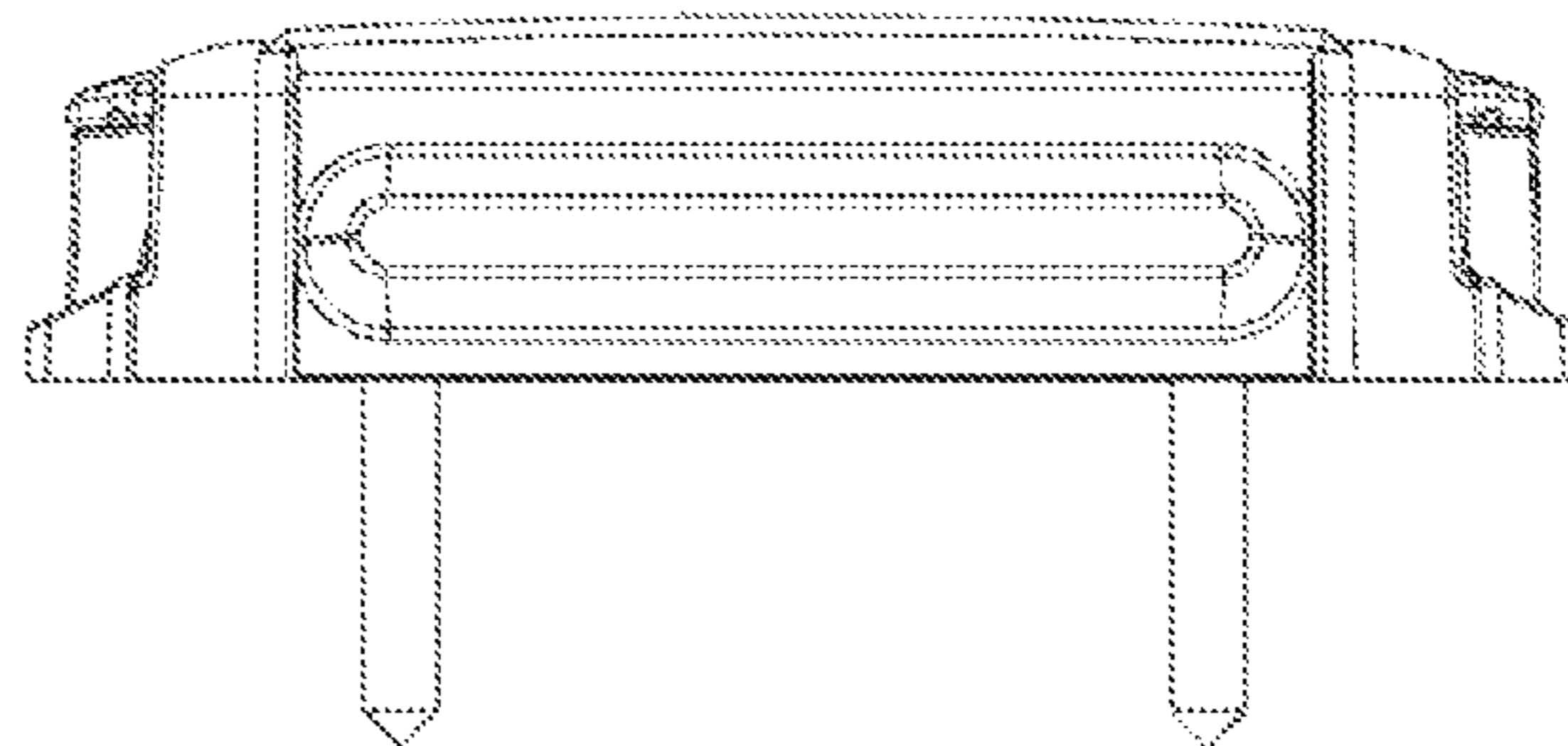
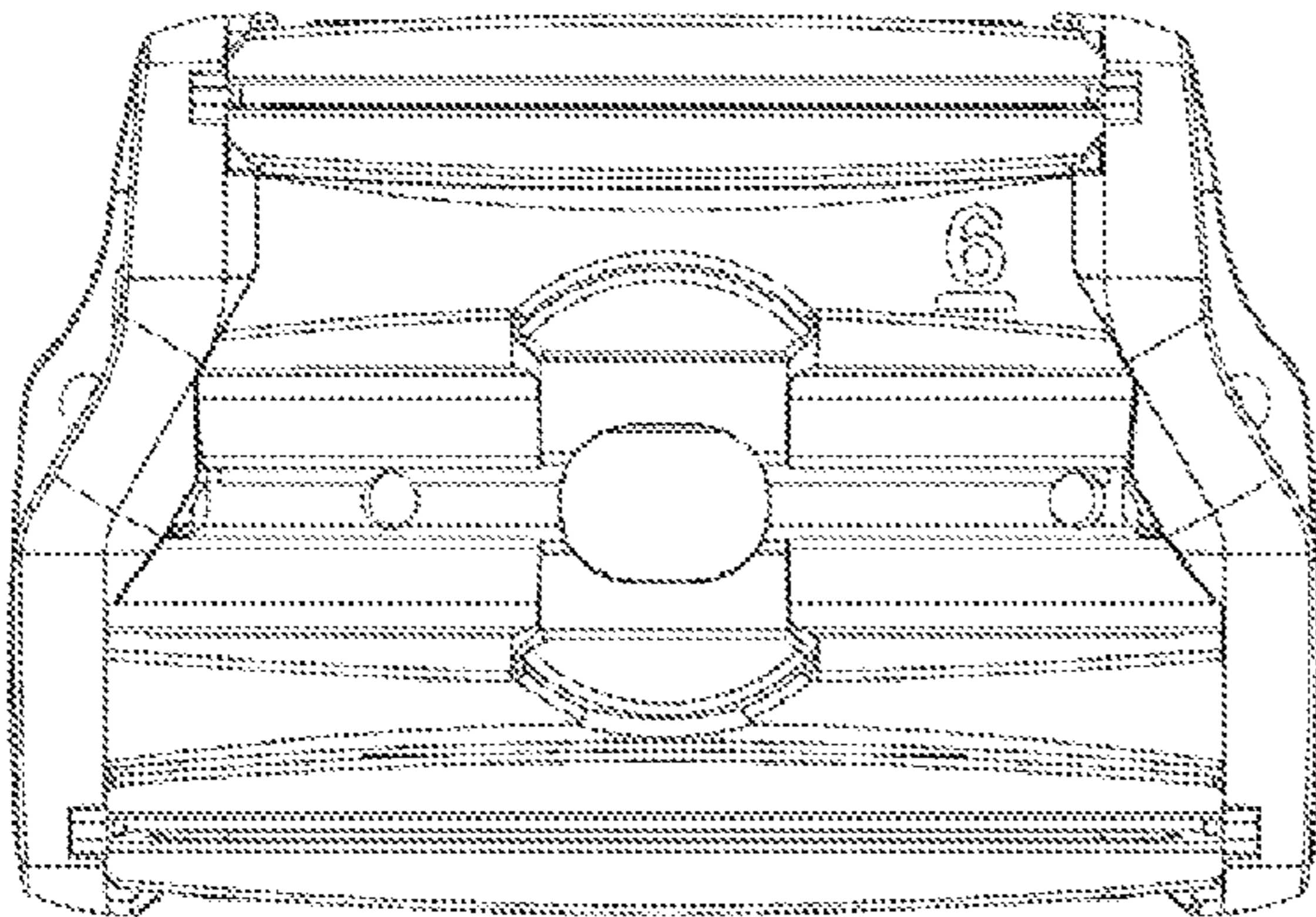
FIG. 6 is a back view of the cut guide.

FIG. 7 is a right side view of the cut guide; and,

FIG. 8 is a left side view of the cut guide.

The wire frame lines shown throughout the views are intended to indicate surface contour and are not intended to be surface ornamentation.

1 Claim, 5 Drawing Sheets



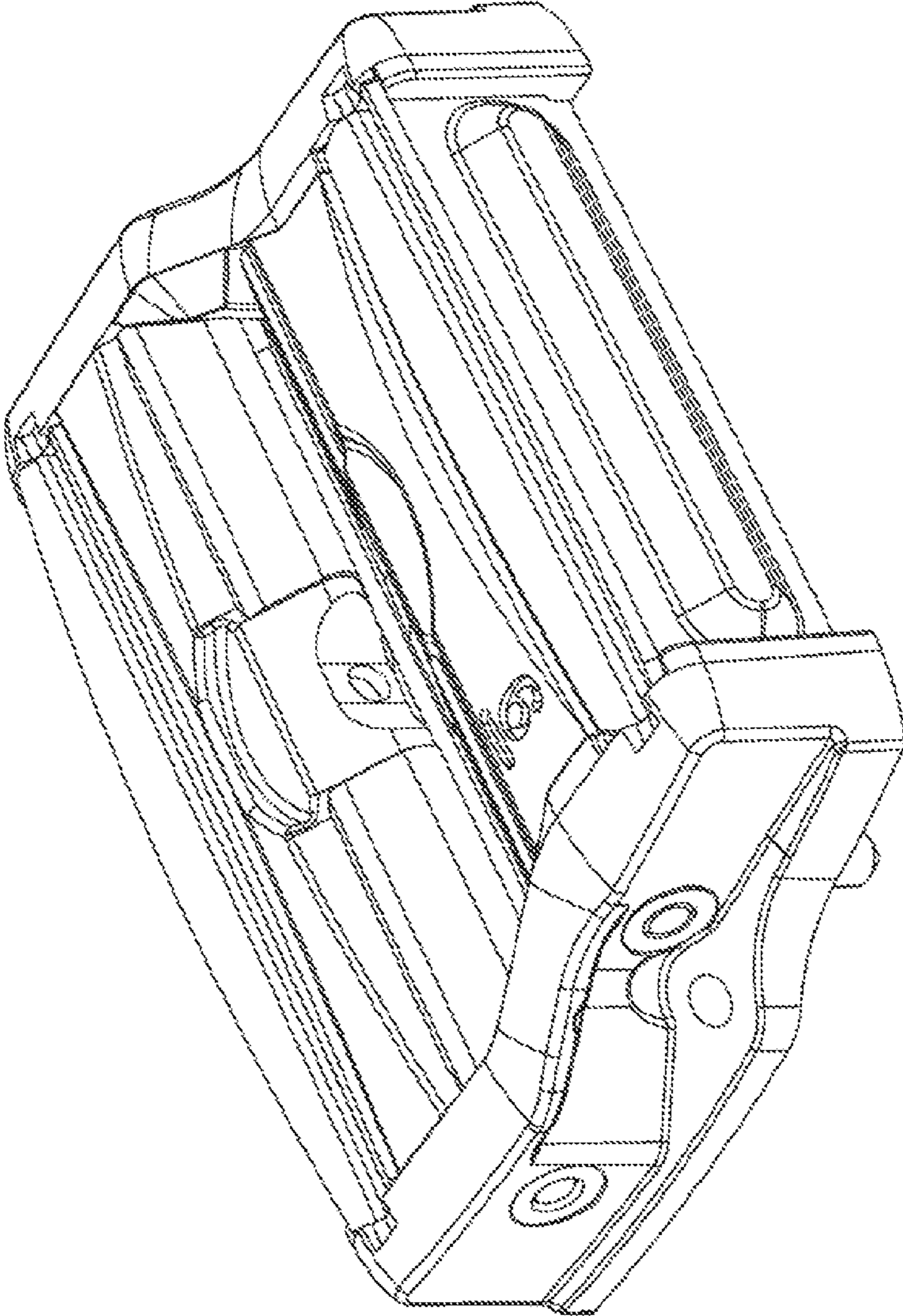


Fig. 1

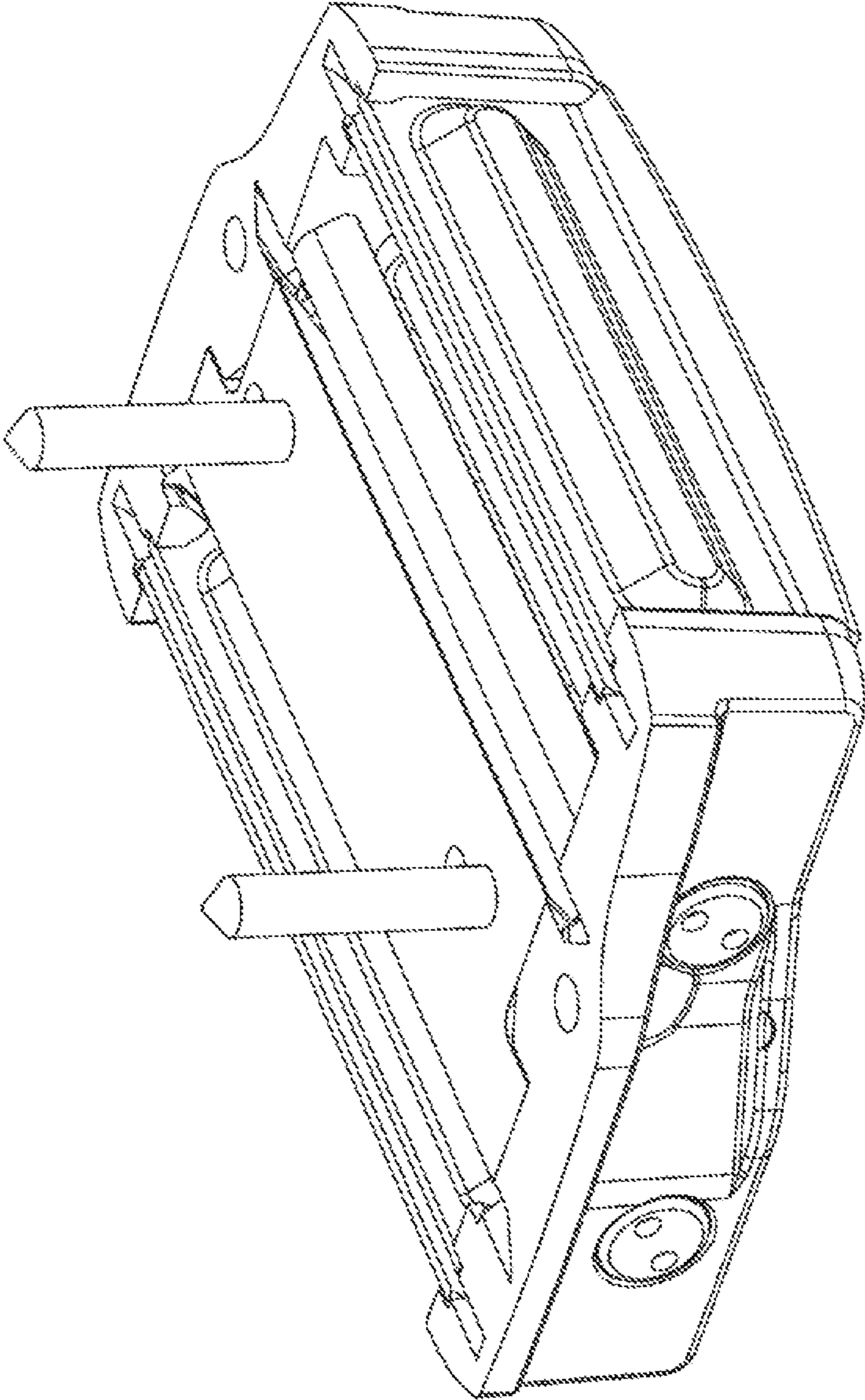


Fig. 2

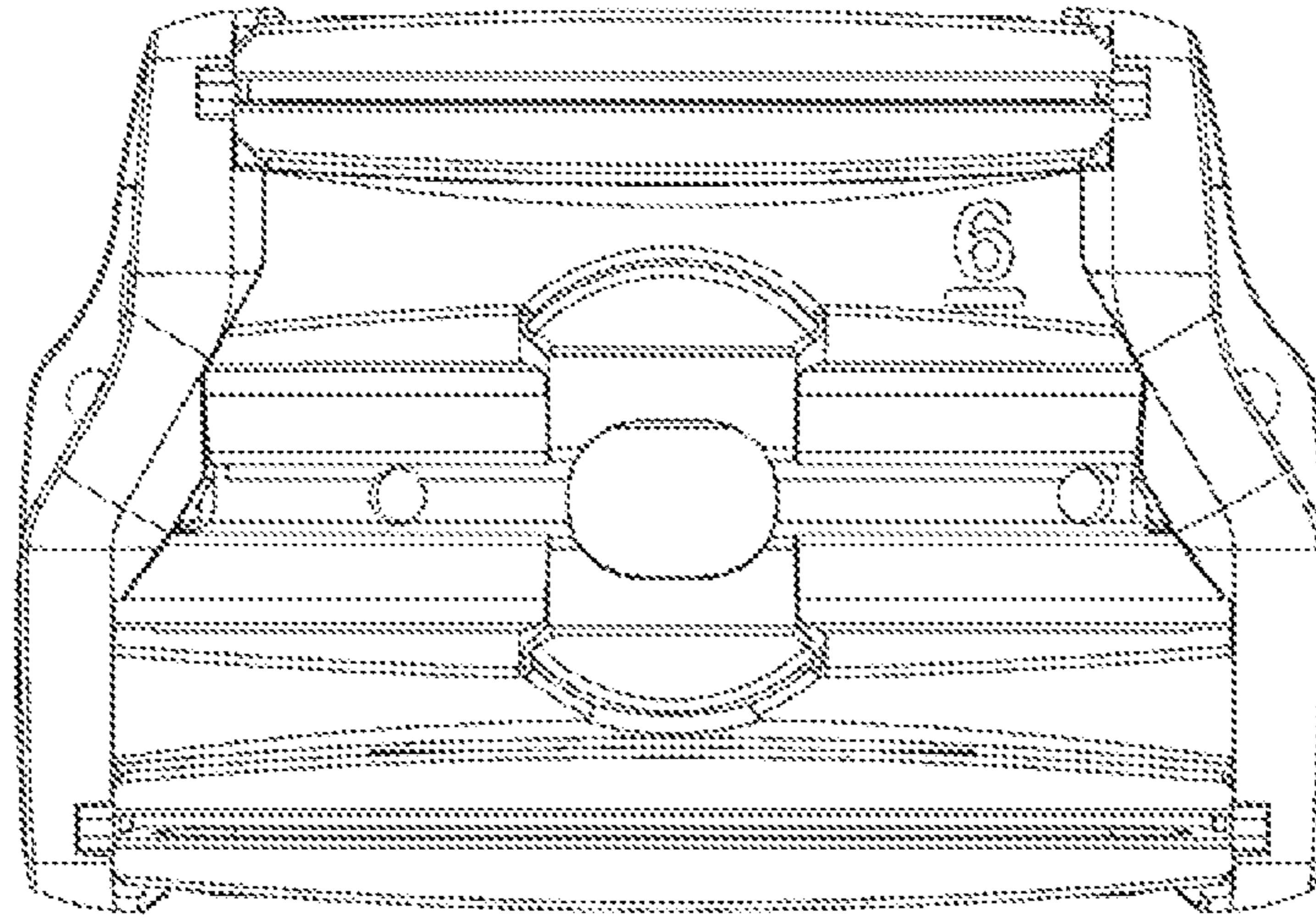


Fig. 3

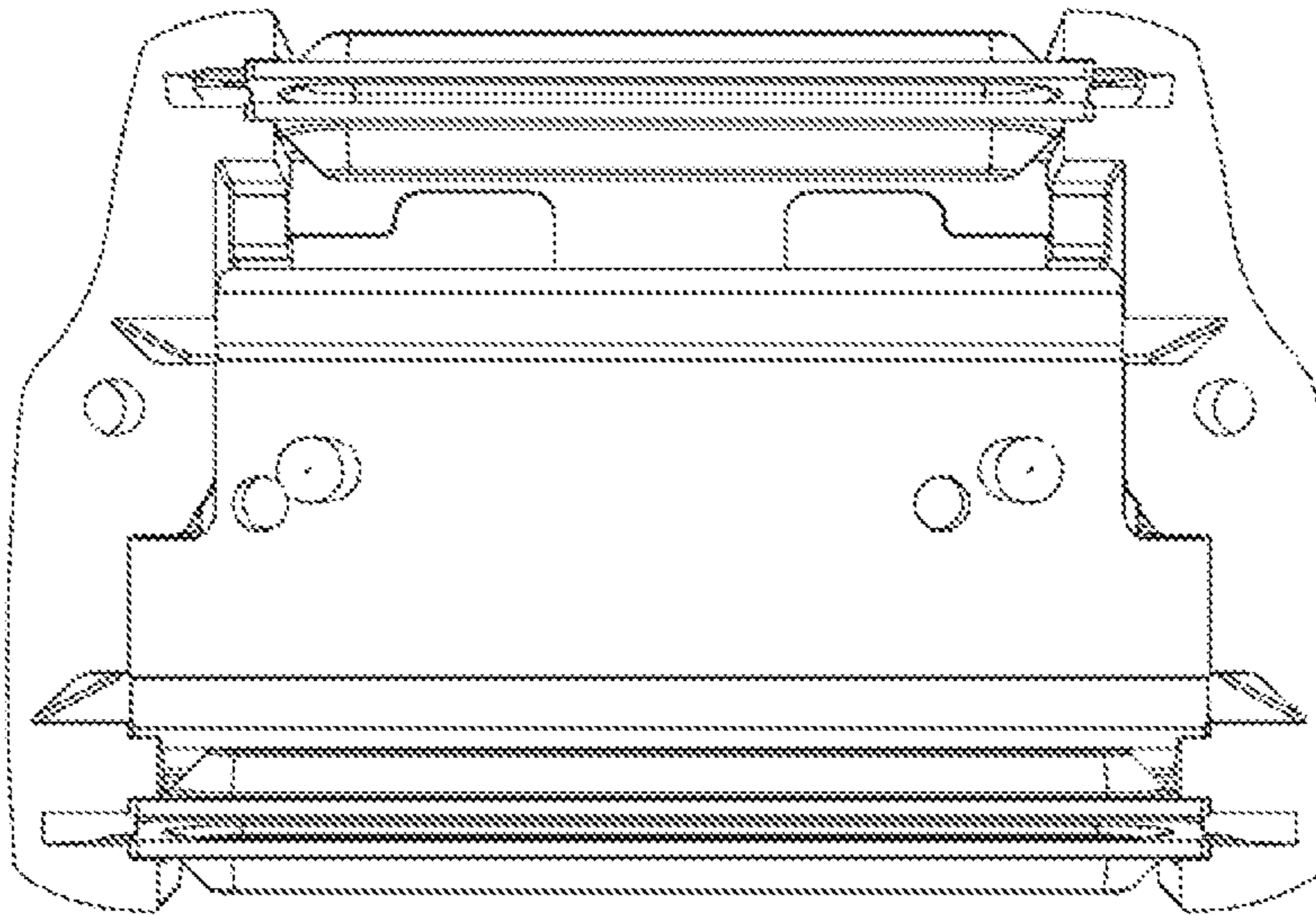


Fig. 4

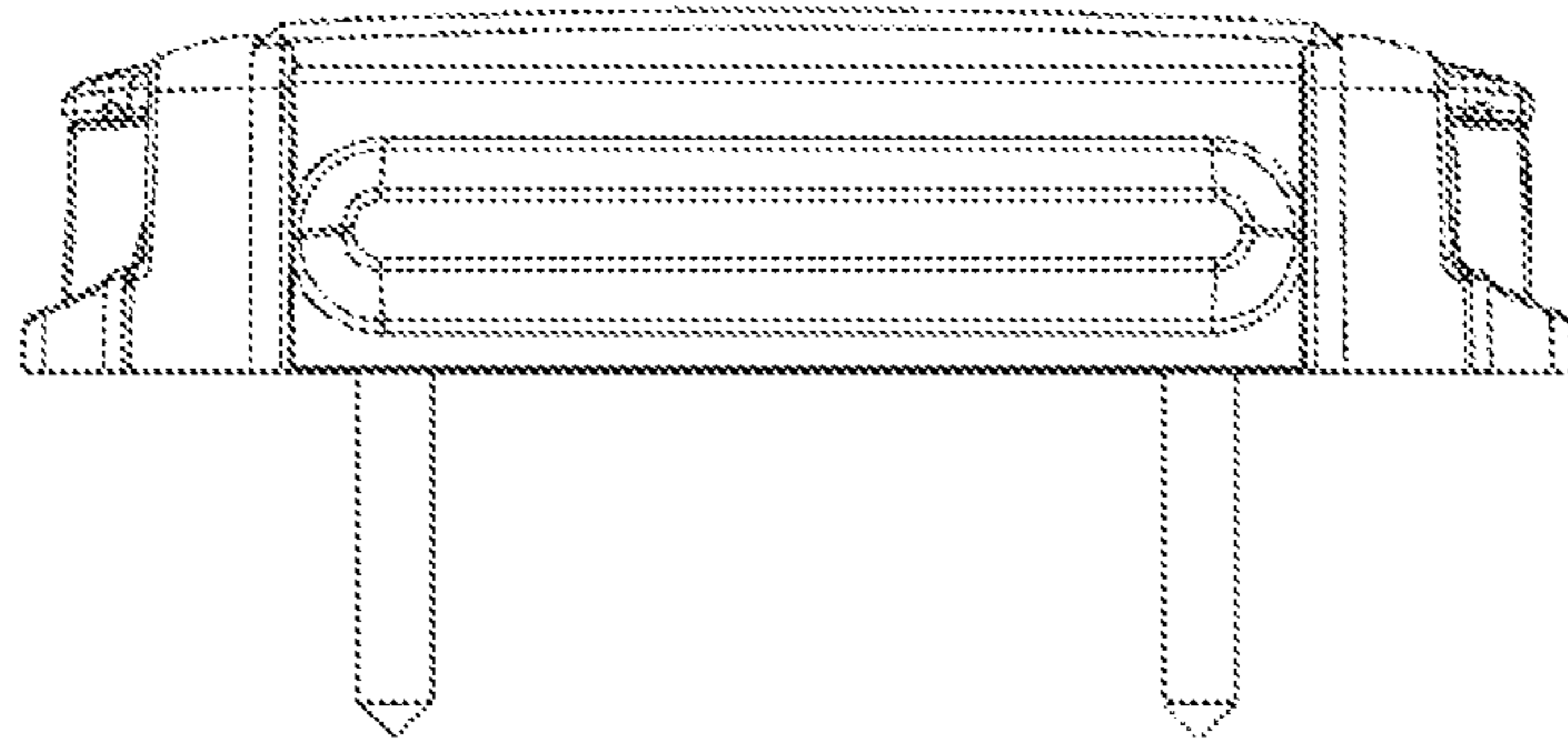


Fig. 5

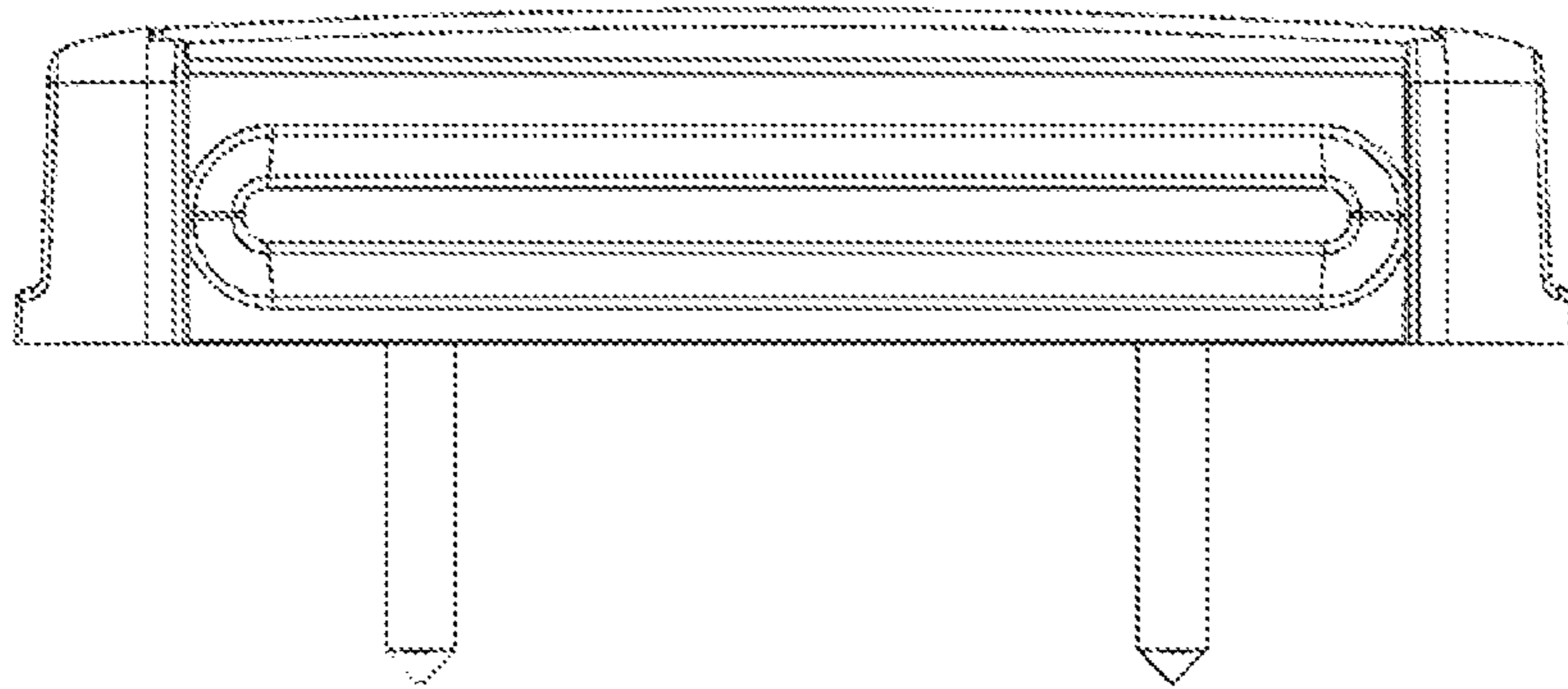


Fig. 6

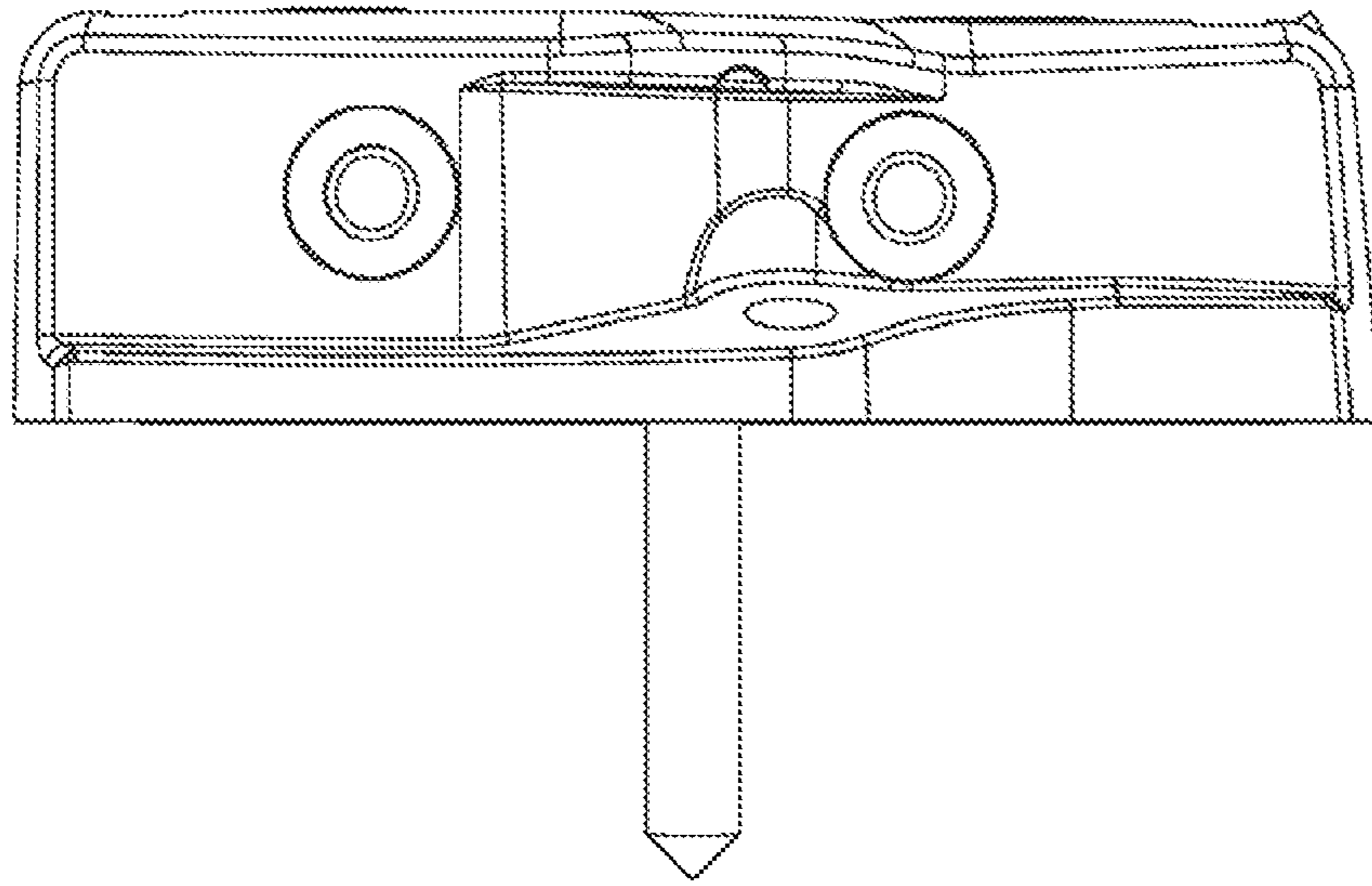


Fig. 7

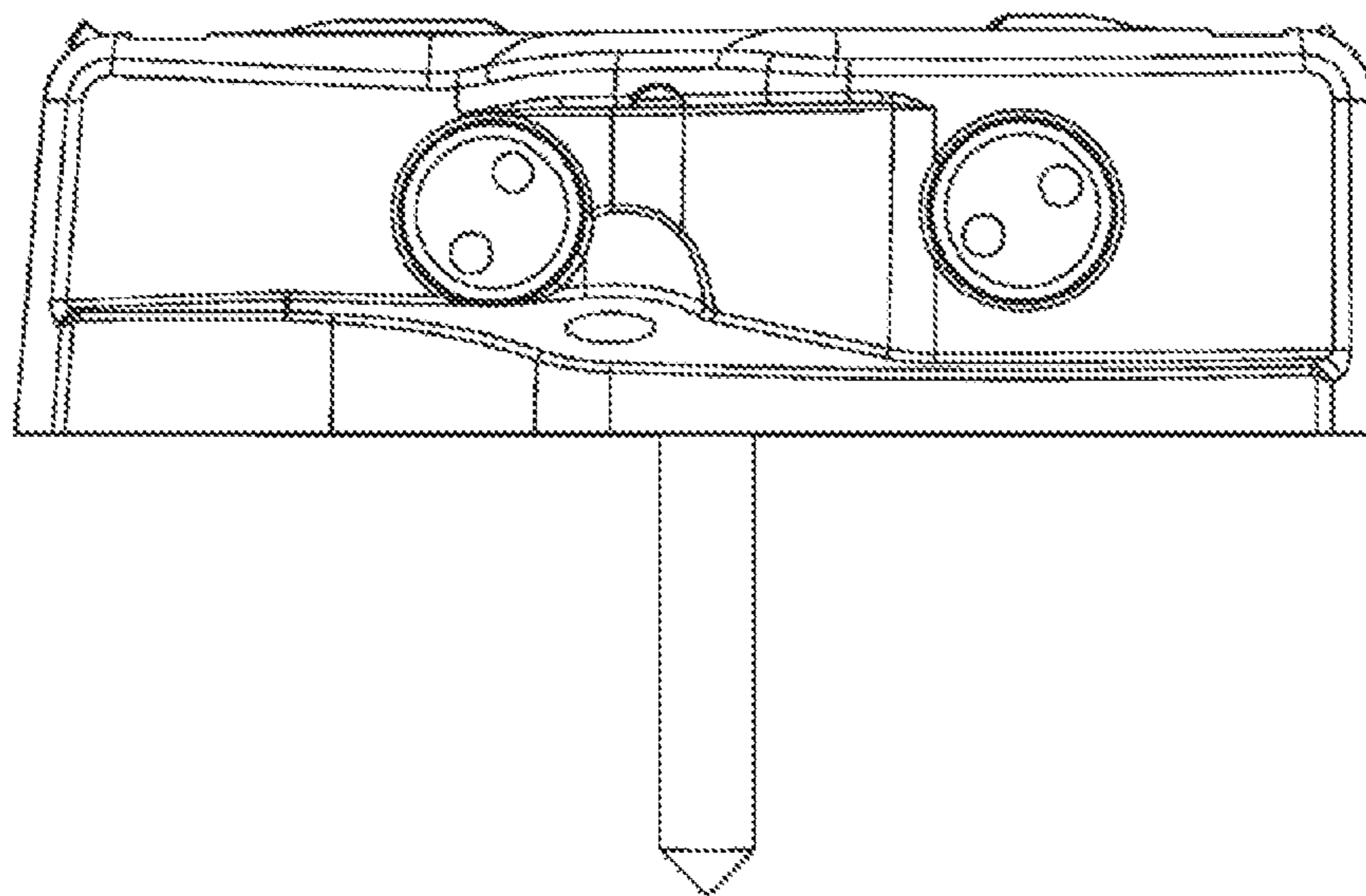


Fig. 8