

US00D694882S

(12) **United States Design Patent**
Stark

(10) **Patent No.:** **US D694,882 S**
(45) **Date of Patent:** **** Dec. 3, 2013**

(54) **CONTAINER CAP**
(75) Inventor: **Kenneth O. Stark**, San Marcos, CA
(US)
(73) Assignee: **Becton, Dickinson and Company**,
Franklin Lakes, NJ (US)
(**) Term: **14 Years**
(21) Appl. No.: **29/403,109**
(22) Filed: **Sep. 30, 2011**
(51) **LOC (9) Cl.** **24-02**
(52) **U.S. Cl.**
USPC **D24/131**
(58) **Field of Classification Search**
USPC D24/131, 127, 121, 123, 224, 216;
D9/428, 424, 423; D34/1, 7, 10-11;
206/365-367, 369-370; 220/254, 408,
220/411, 768-769, 908
See application file for complete search history.

D461,447 S * 8/2002 Nawrozki D13/107
6,585,114 B2 7/2003 Kennedy et al.
D482,448 S 11/2003 Crawford
D485,906 S 1/2004 Danssaert et al.
D501,636 S * 2/2005 Melhede D9/428
D505,082 S * 5/2005 Bruce et al. D9/429
6,986,434 B1 1/2006 Getsy et al.
6,997,313 B2 2/2006 Rigling
7,445,116 B2 * 11/2008 Dansaert et al. 206/366
D591,859 S 5/2009 Stark et al.
D606,885 S * 12/2009 Olsson D9/424
D623,817 S * 9/2010 Yang et al. D34/7
D630,940 S * 1/2011 Shapiro et al. D9/428
D642,048 S * 7/2011 Ocampo et al. D9/424
D661,182 S * 6/2012 Noer et al. D9/428
D671,830 S * 12/2012 Hudson et al. D9/428
D674,571 S * 1/2013 Sakaguchi et al. D34/7
D682,689 S * 5/2013 Kalberer et al. D9/423
2004/0112896 A1 6/2004 Lewis
2006/0249471 A1 11/2006 Leposavic et al.
2010/0032441 A1 2/2010 Stark et al.

* cited by examiner

Primary Examiner — David Muller
(74) *Attorney, Agent, or Firm* — Servilla Whitney LLC

(56) **References Cited**
U.S. PATENT DOCUMENTS

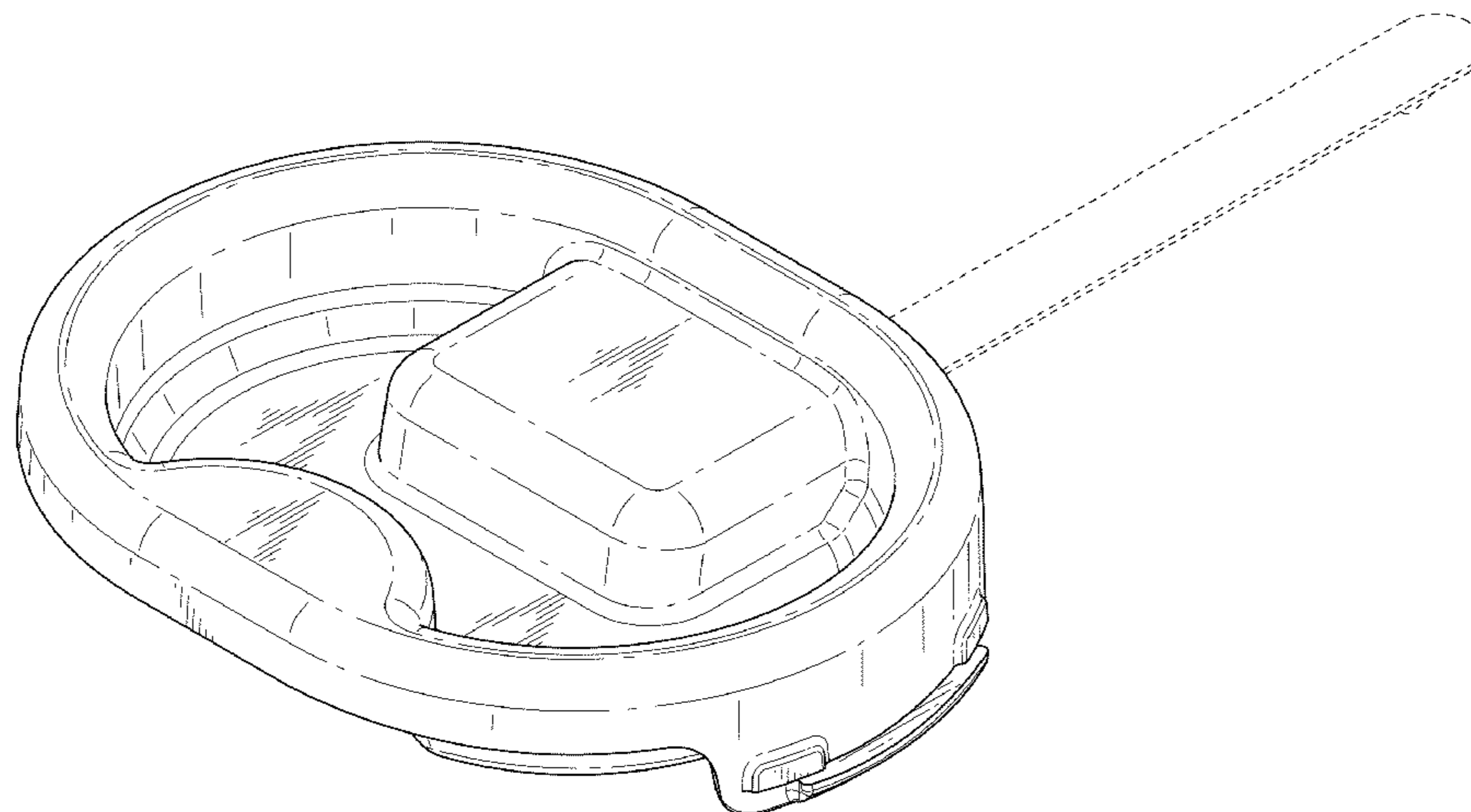
4,328,907 A 5/1982 Beard
4,452,358 A 6/1984 Simpson
4,454,944 A 6/1984 Shillington et al.
4,462,507 A 7/1984 Margulies
D279,417 S 6/1985 Spencer
4,520,926 A 6/1985 Nelson
D292,777 S 11/1987 Shillington et al.
D302,291 S 7/1989 Heubel et al.
4,874,103 A 10/1989 Quisenberry et al.
4,930,655 A 6/1990 Wells
D330,765 S 11/1992 Laws
5,165,563 A 11/1992 McKendry
5,405,034 A 4/1995 Mittel, Jr. et al.
D371,963 S * 7/1996 Ahern, Jr. D7/602
5,941,385 A 8/1999 Barton
6,062,001 A 5/2000 Kunik
6,131,755 A 10/2000 Soyka, Jr. et al.
6,158,632 A 12/2000 Ekkert
6,364,101 B1 4/2002 Schultz

(57) **CLAIM**
The ornamental designs for a container cap, substantially as shown and described.

DESCRIPTION

FIG. 1 is a top front perspective view of a container cap;
FIG. 2 is a bottom front perspective view thereof;
FIG. 3 is a top plan view thereof;
FIG. 4 is a bottom plan view thereof;
FIG. 5 is a right side elevation view thereof;
FIG. 6 is a left side elevation view thereof;
FIG. 7 is a front elevation view thereof; and,
FIG. 8 is a rear elevation view thereof.
The broken line showing of parts of the drawings is included for the purpose of illustrating use and environment and forms no part of the claimed design.

1 Claim, 7 Drawing Sheets



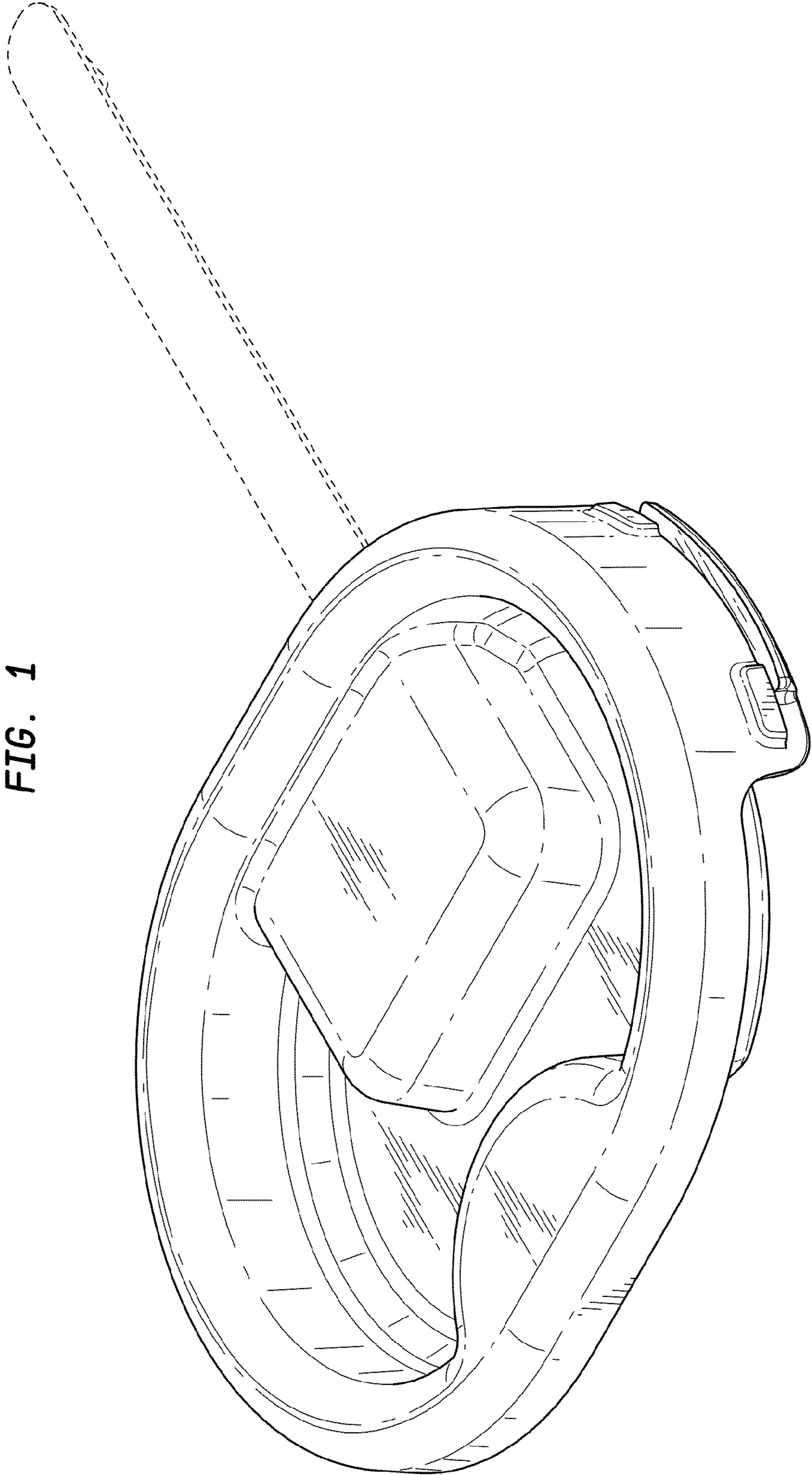


FIG. 1

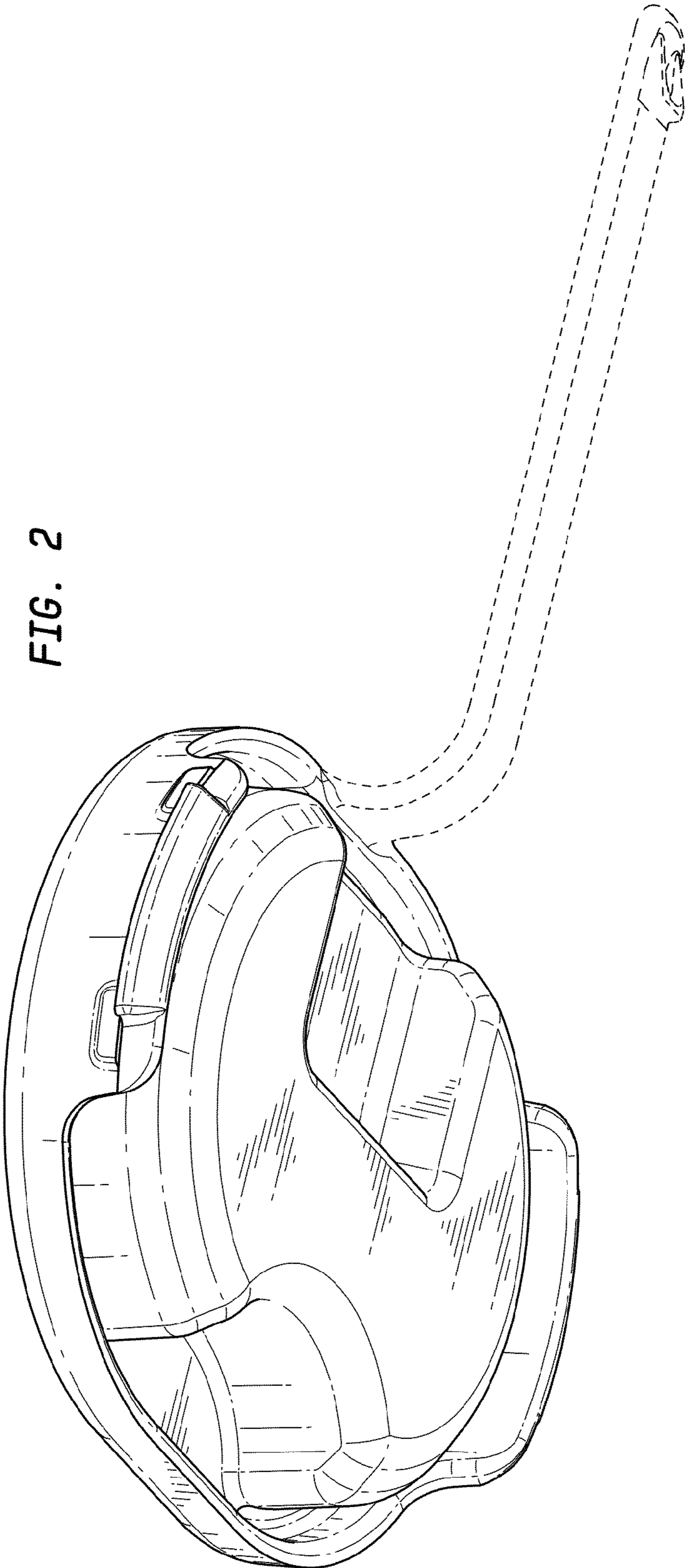


FIG. 2

FIG. 3

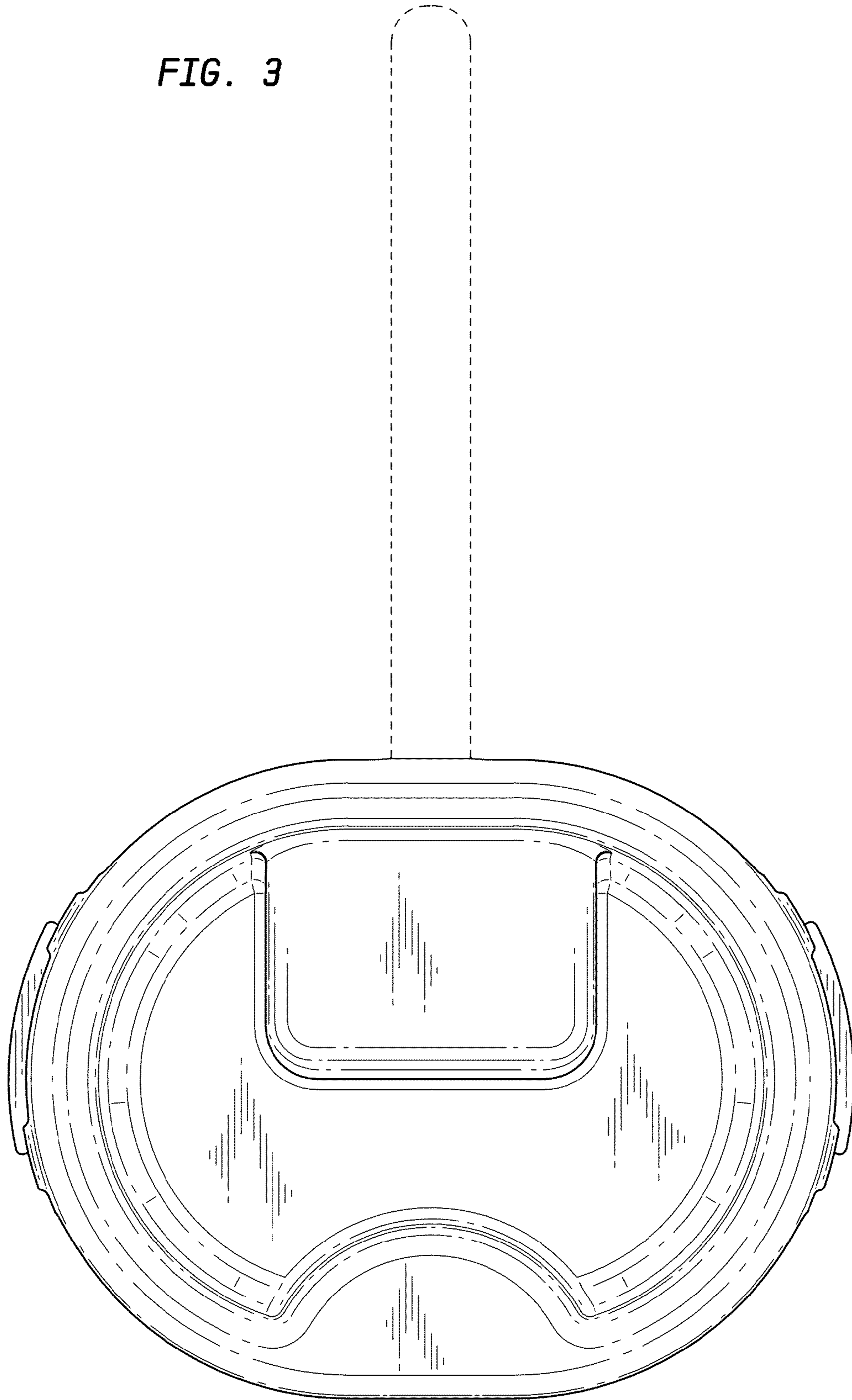


FIG. 4

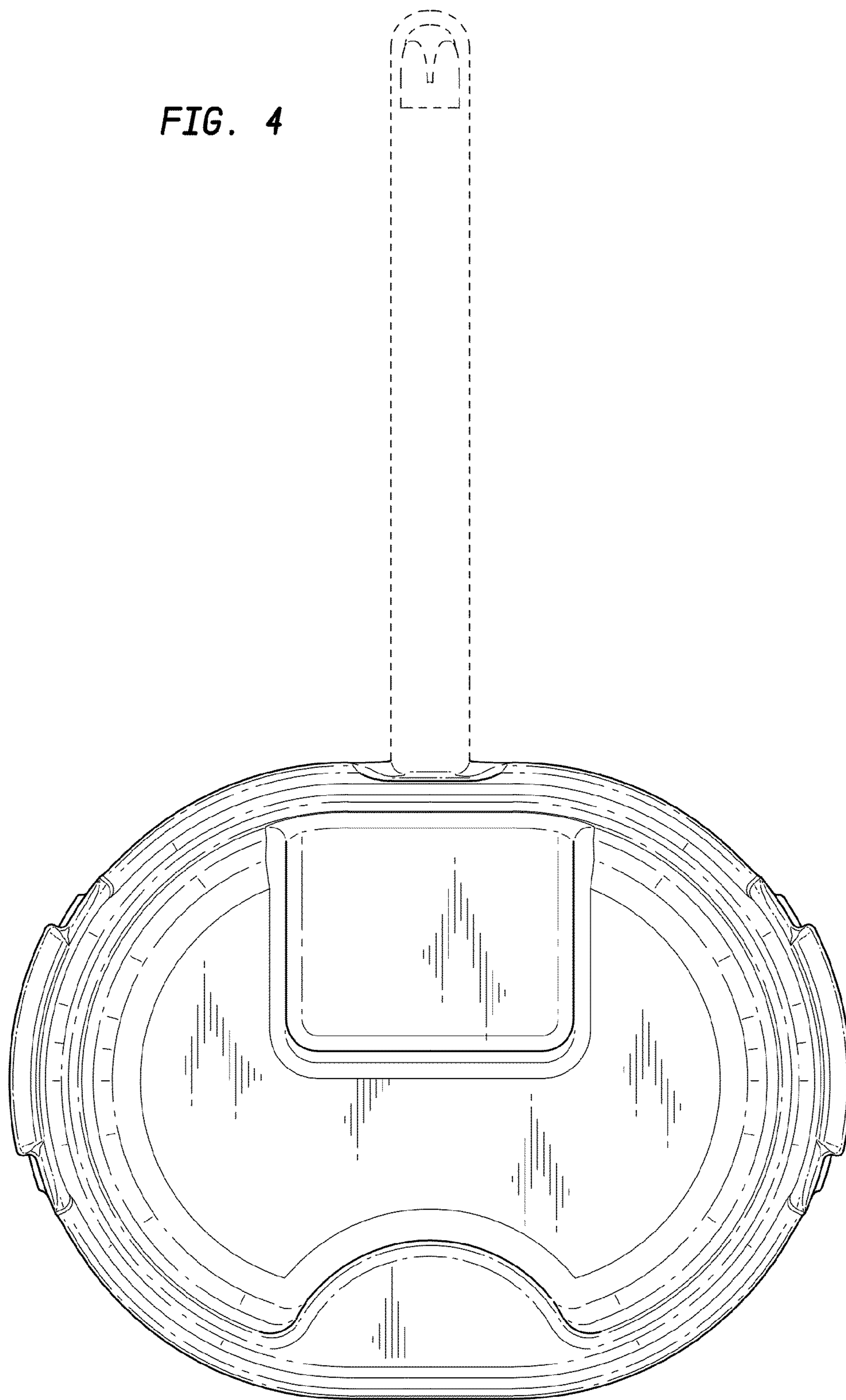
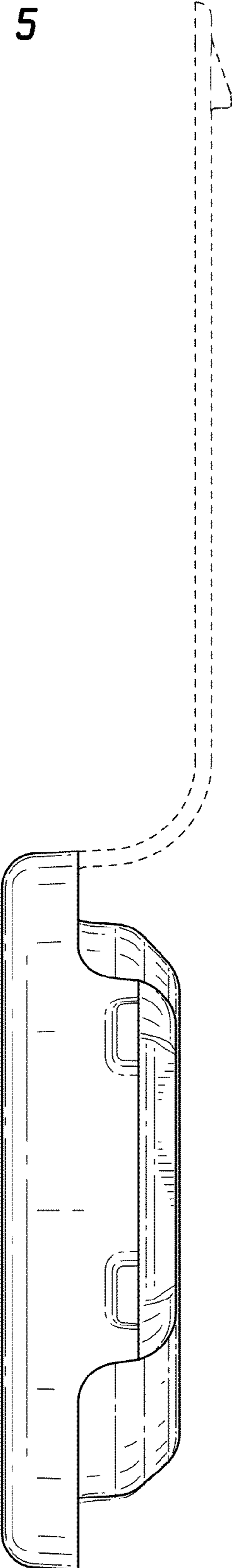


FIG. 5



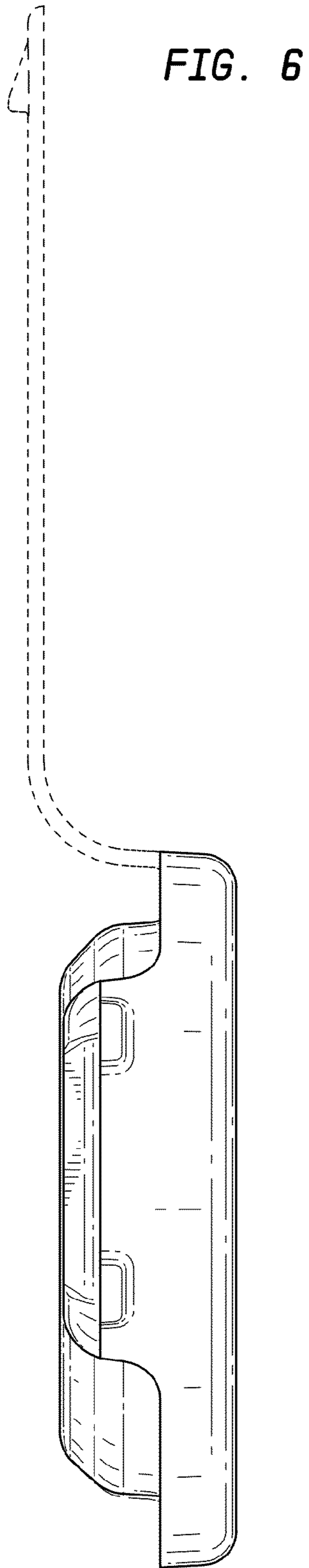


FIG. 7

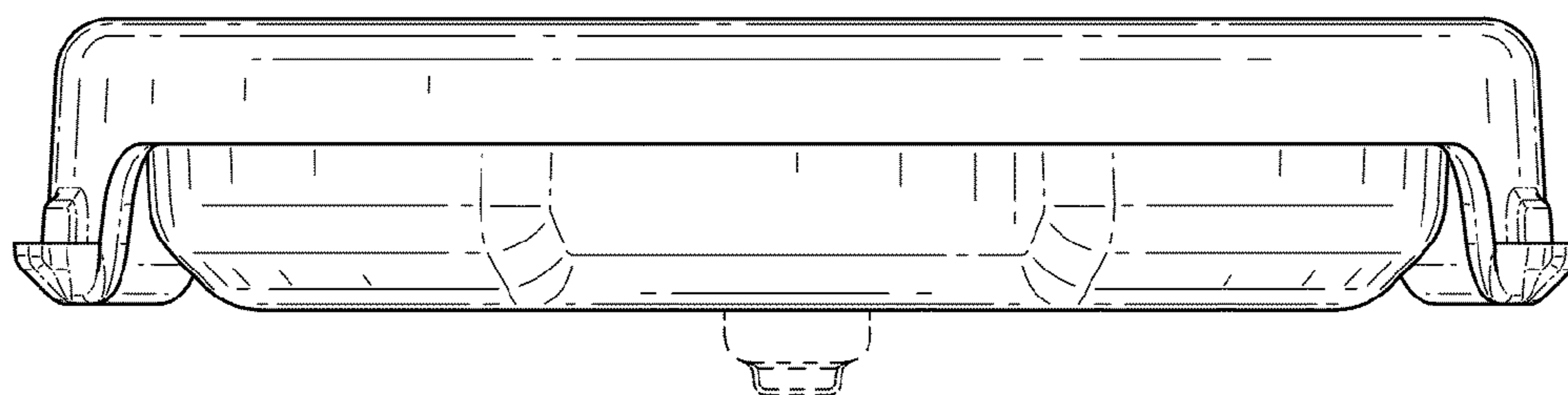


FIG. 8

