

US00D694881S

(12) **United States Design Patent**  
**Gonzales et al.**

(10) **Patent No.:** **US D694,881 S**  
(45) **Date of Patent:** **\*\* Dec. 3, 2013**

- (54) **SHEATH FOR SYRINGE NEEDLE**
- (75) Inventors: **Laurence Gonzales**, Laguna (PH);  
**Satoshi Kagaya**, Muntinlupa (PH)
- (73) Assignee: **Terumo Kabushiki Kaisha**, Tokyo (JP)
- (\*\*) Term: **14 Years**
- (21) Appl. No.: **29/406,758**
- (22) Filed: **Nov. 18, 2011**
- (30) **Foreign Application Priority Data**

8,016,796 B2 9/2011 Simas, Jr. et al.  
 8,298,181 B2 \* 10/2012 Perez ..... 604/115  
 D678,512 S \* 3/2013 Bow ..... D24/112

**OTHER PUBLICATIONS**

“SurGuard2™ Syringes with Safety Needle” of Terumo Medical Products, shown on the website <http://www.terumotmp.com/productdetails.aspx?categoryId=1&productId=156>, accessed Apr. 1, 2013 (2 pages).  
 Phillips P. Ford J, “An evaluation of sharp safety hypodermic needle devices,” *Nursing Standard*, vol. 25, No. 35, (May 4, 2011), pp. 39-44 (6 pages).

\* cited by examiner

- May 27, 2011 (JP) ..... 2011-011956
- (51) **LOC (9) Cl.** ..... **24-02**
- (52) **U.S. Cl.**  
USPC ..... **D24/130**
- (58) **Field of Classification Search**  
USPC ..... D24/127–131, 112–114, 133, 186;  
606/181, 185; 604/264, 272, 115, 232,  
604/187, 158, 164.08, 192, 263, 163, 181,  
604/184, 198, 227; 600/101, 139, 143;  
128/200.24, 207.14, 207.15  
See application file for complete search history.

*Primary Examiner* — David Muller

(74) *Attorney, Agent, or Firm* — Fitch, Even, Tabin & Flannery, LLP

(57) **CLAIM**

We claim the ornamental design for a sheath for syringe needle, as shown and described.

**DESCRIPTION**

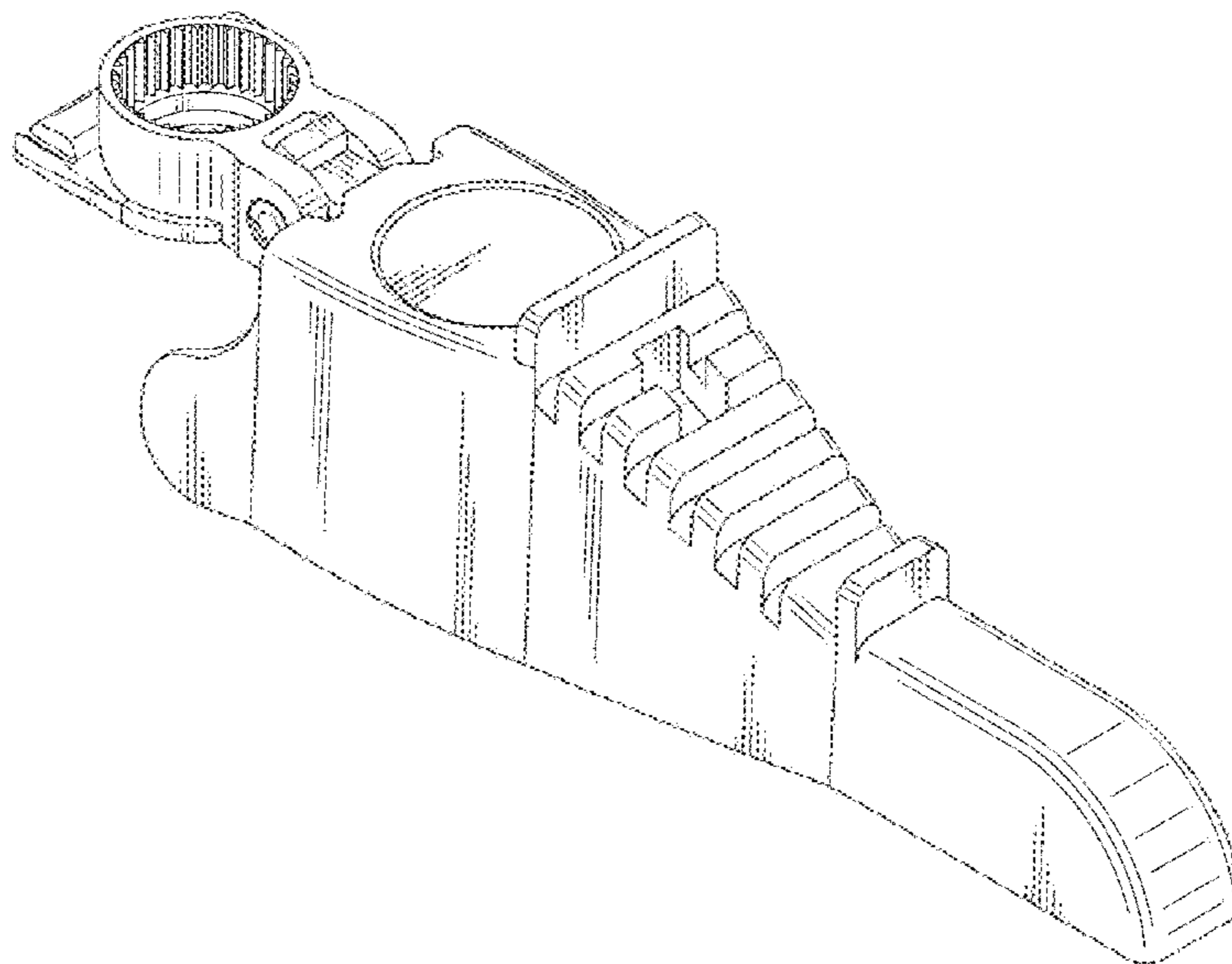
FIG. 1 is a front perspective view of a sheath for syringe needle, showing our new design;  
 FIG. 2 is a front elevational view thereof;  
 FIG. 3 is a rear elevational view thereof;  
 FIG. 4 is a top plan view thereof;  
 FIG. 5 is a bottom plan view thereof;  
 FIG. 6 is a right side elevational view thereof;  
 FIG. 7 is a left side elevational view thereof;  
 FIG. 8 is a cross-sectional view thereof, taken along the line 8-8 in FIG. 4; and,  
 FIG. 9 is an enlarged cross-sectional view thereof, taken along the line 9-9 in FIG. 4.  
 Portions of the claimed design shown in broken lines form no part of the claimed design.

(56) **References Cited**

**U.S. PATENT DOCUMENTS**

- D263,335 S \* 3/1982 Bujan ..... D24/129
- 4,517,971 A \* 5/1985 Sorbonne ..... D24/130
- D359,120 S \* 6/1995 Sallee et al. .... D24/130
- D482,788 S \* 11/2003 Montgomery et al. .... D24/128
- D621,928 S \* 8/2010 Tobien ..... D24/129
- D629,513 S \* 12/2010 Bierman et al. .... D24/128
- D629,514 S \* 12/2010 Bierman ..... D24/128
- D630,728 S \* 1/2011 Dombrowski et al. .... D24/133
- D630,731 S \* 1/2011 Schmutzer et al. .... D24/128
- D635,255 S \* 3/2011 Travis et al. .... D24/129
- D636,078 S \* 4/2011 Leybold et al. .... D24/129

**1 Claim, 7 Drawing Sheets**



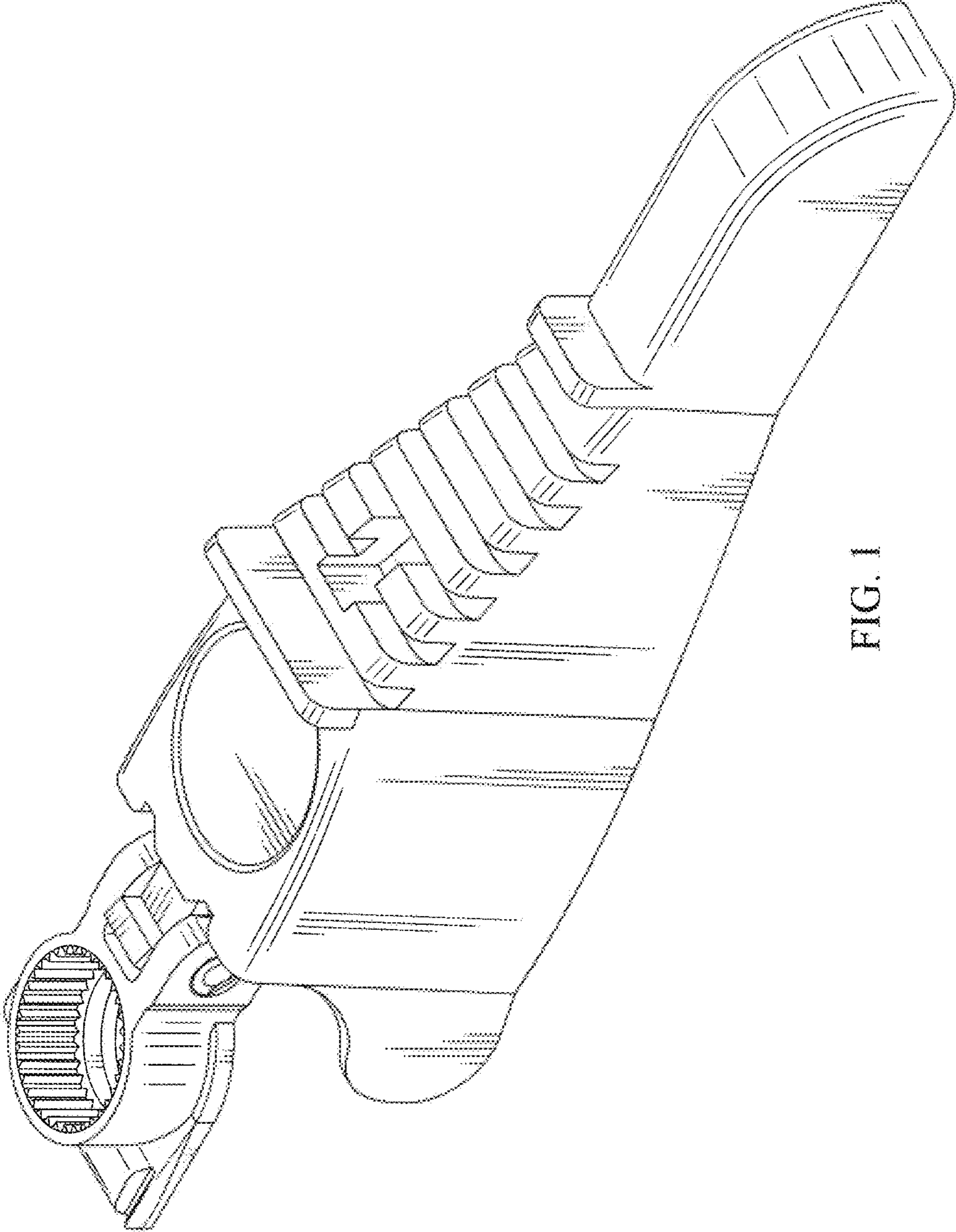


FIG. 1

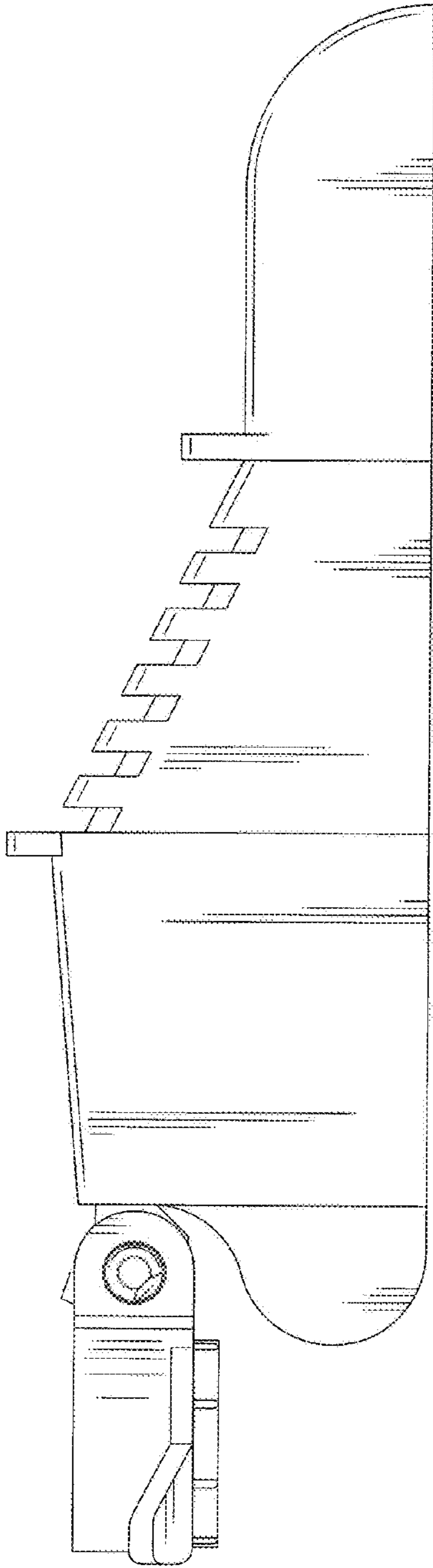


FIG. 2

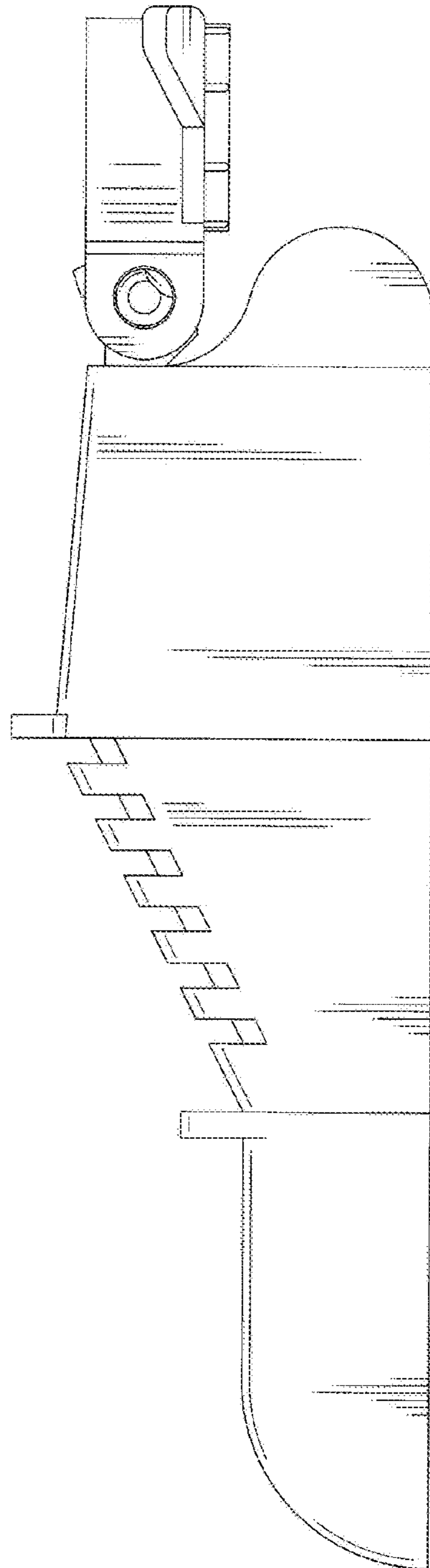


FIG. 3

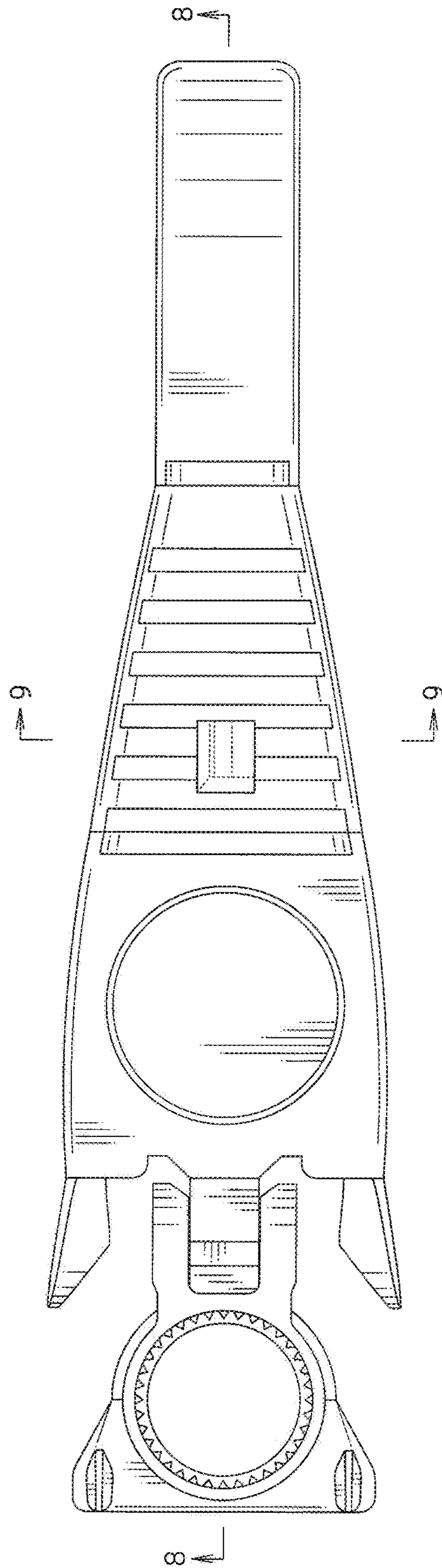


FIG. 4

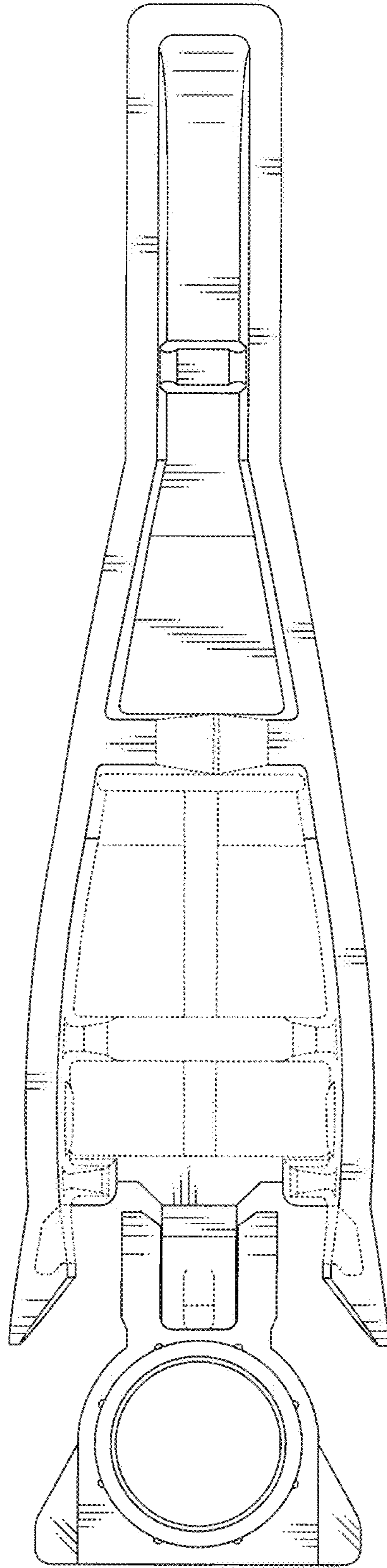


FIG. 5

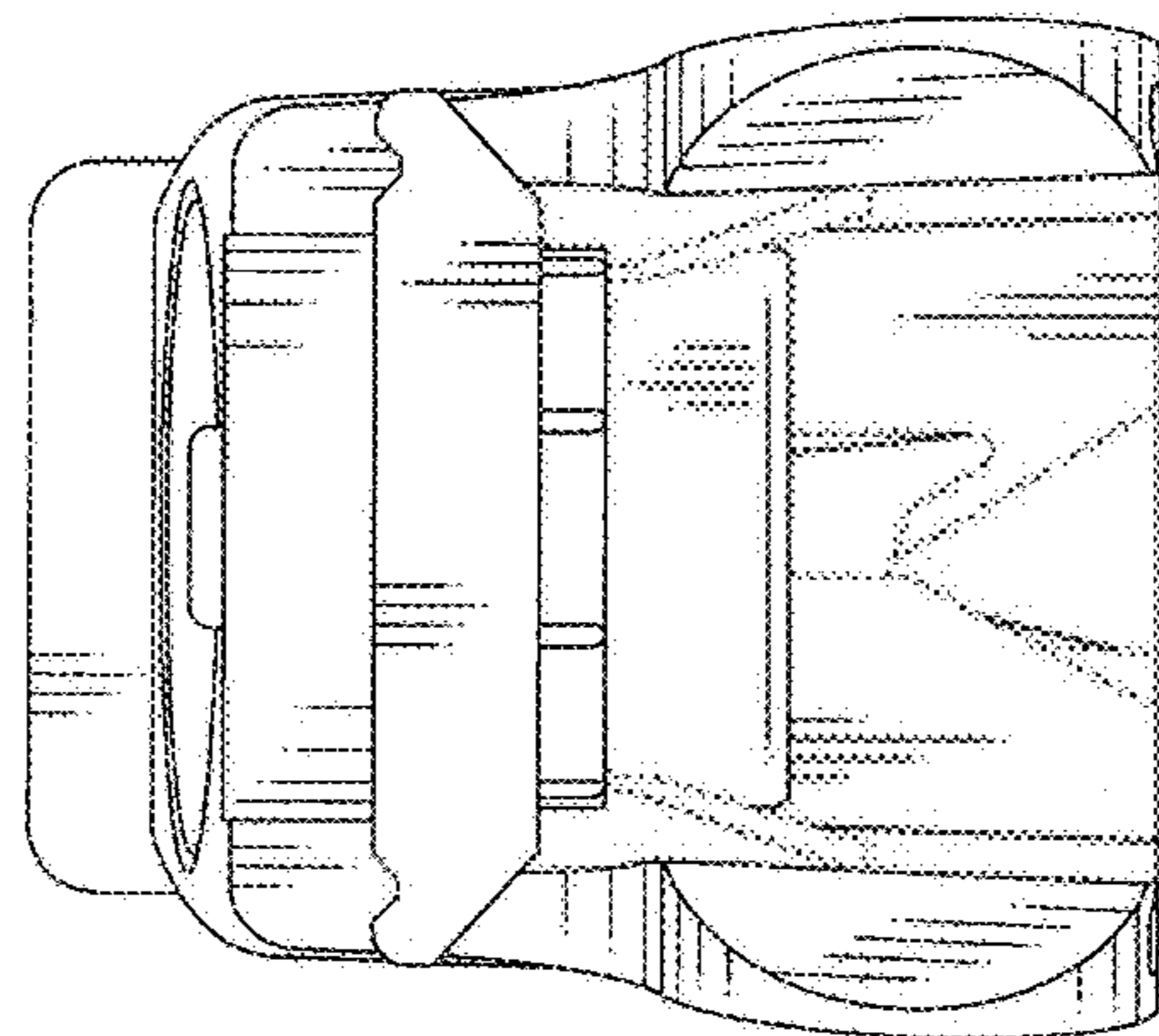


FIG. 6

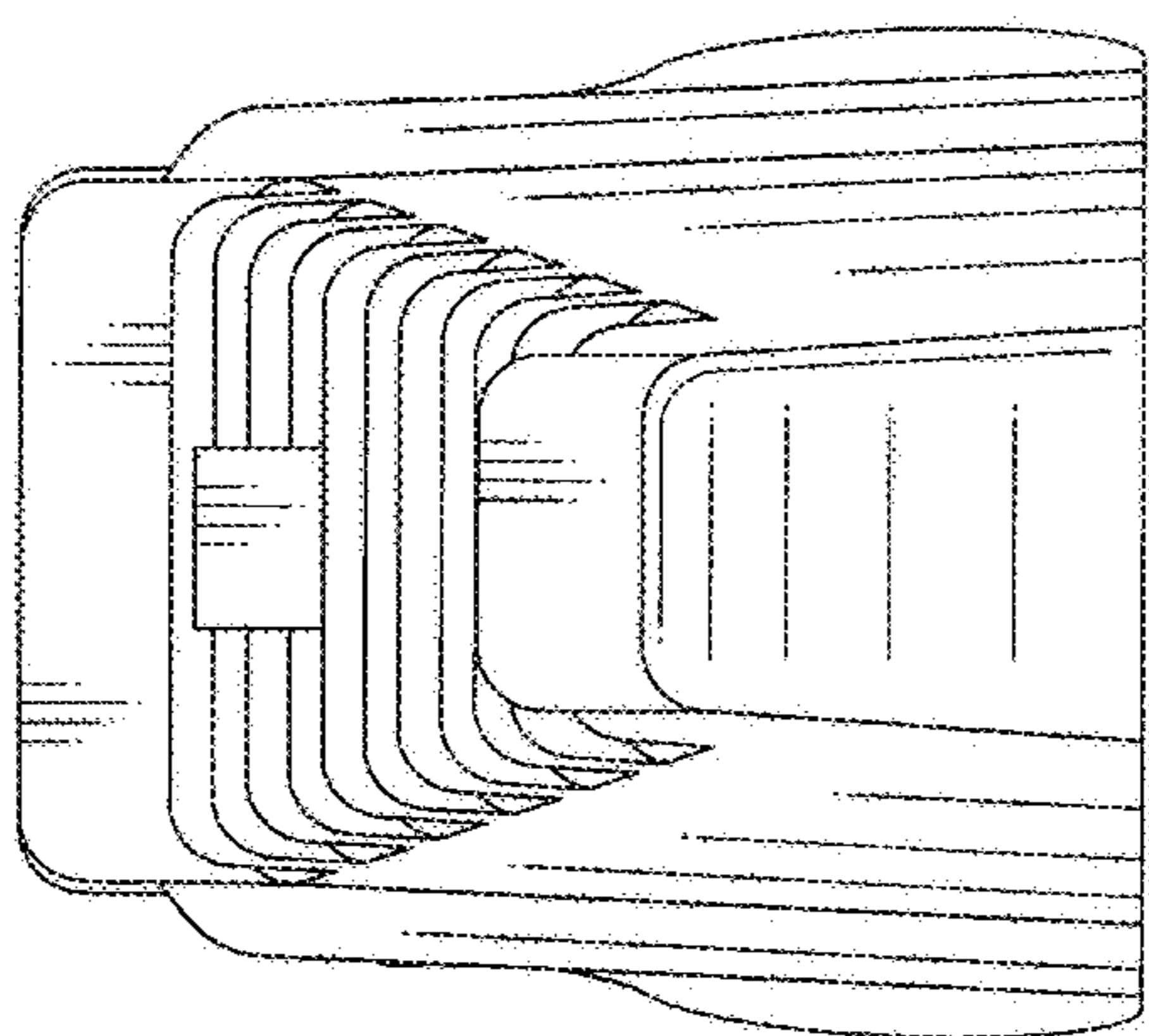


FIG. 7

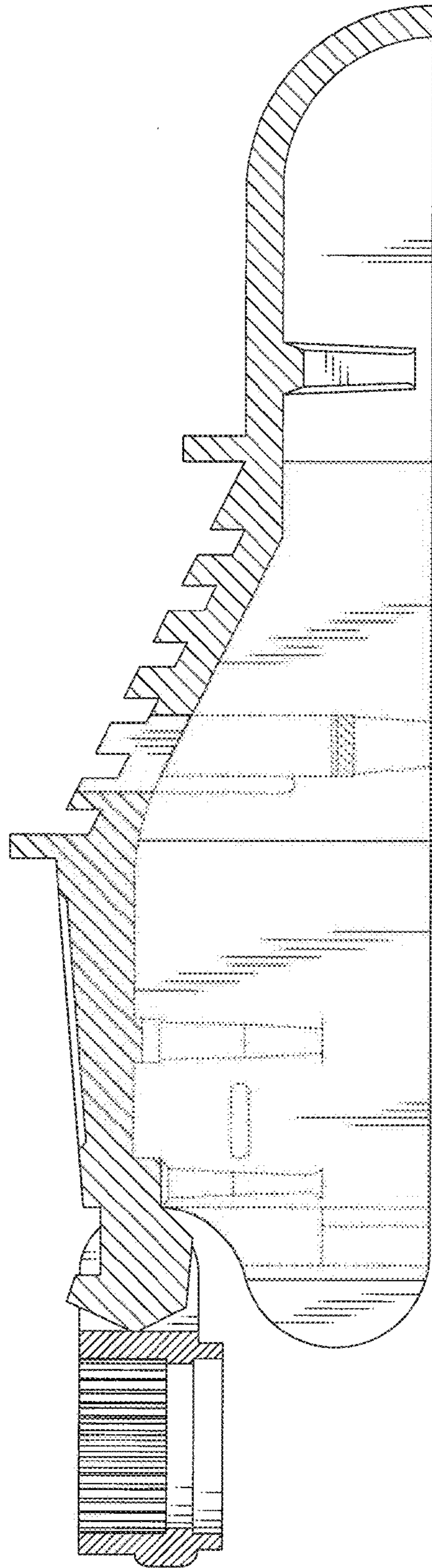


FIG. 8

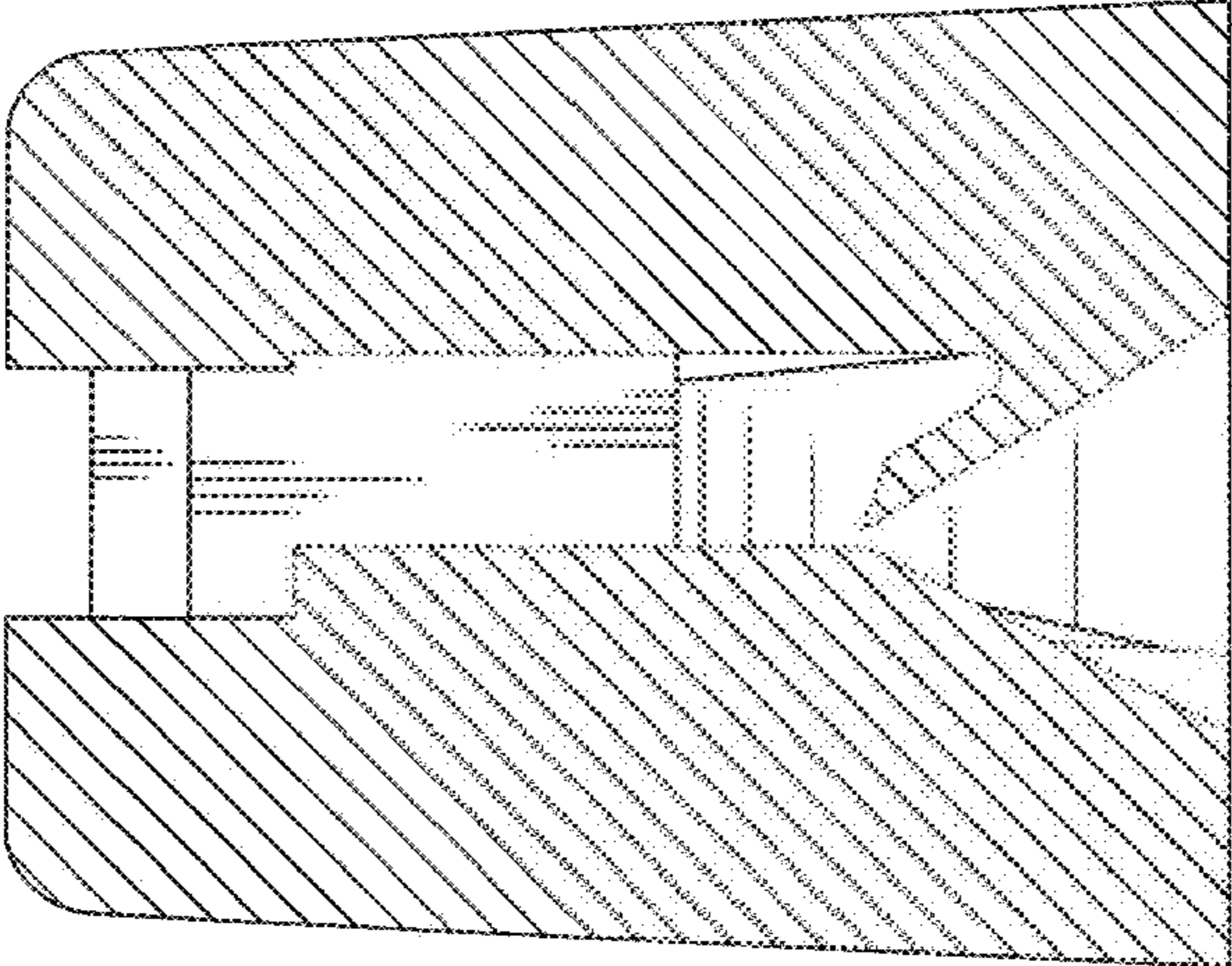


FIG. 9