



US00D694874S

(12) **United States Design Patent**
Lin et al.

(10) **Patent No.:** **US D694,874 S**
(45) **Date of Patent:** **** Dec. 3, 2013**

(54) **COOLING FAN**

(75) Inventors: **Yu-Ching Lin**, New Taipei (TW);
Ming-Hsiu Chung, New Taipei (TW);
Wen-Cheng Chen, New Taipei (TW)

(73) Assignee: **Foxconn Technology Co., Ltd.**, New Taipei (TW)

(**) Term: **14 Years**

(21) Appl. No.: **29/425,650**

(22) Filed: **Jun. 26, 2012**

(30) **Foreign Application Priority Data**

May 21, 2012 (TW) 101302889 A

(51) **LOC (9) Cl.** **23-04**

(52) **U.S. Cl.**
USPC **D23/413; D13/179**

(58) **Field of Classification Search**
USPC D13/179; D12/214; D23/370, 379, 411,
D23/413; 165/80.3, 104.26, 104.33, 122,
165/151, 185; 257/706, 707, 718-722;
361/695, 697, 700, 702, 704, 709, 710,
361/711, 719; 415/204, 206; 416/178, 183,
416/185, 186 R, 223 R
See application file for complete search history.

(56) **References Cited**

U.S. PATENT DOCUMENTS

5,226,783 A * 7/1993 Mita 416/223 R
5,676,523 A * 10/1997 Lee 415/206
6,210,118 B1 * 4/2001 Egawa et al. 416/243
D563,544 S * 3/2008 Hwang et al. D23/413
D565,171 S * 3/2008 Lin D23/413
7,405,933 B2 * 7/2008 Kobayashi et al. 361/695

D575,749 S * 8/2008 Hwang et al. D13/179
D579,419 S * 10/2008 Horng et al. D13/179
D579,883 S * 11/2008 Hwang et al. D13/179
7,457,119 B2 * 11/2008 Wang et al. 361/700
D587,363 S * 2/2009 Rheault D23/413
7,564,686 B2 * 7/2009 Wang et al. 361/700
7,568,517 B2 * 8/2009 Hwang et al. 165/80.2
7,589,965 B2 * 9/2009 Liang et al. 361/695
7,967,575 B2 * 6/2011 Teshima et al. 417/354
7,997,871 B2 * 8/2011 Hwang et al. 416/175
8,007,232 B2 * 8/2011 Hwang et al. 415/206
8,100,664 B2 * 1/2012 Hwang et al. 416/236 R
8,405,997 B2 * 3/2013 Fujiwara 361/711
2003/0007327 A1 * 1/2003 Fujiwara 361/697
2006/0099071 A1 * 5/2006 Kao et al. 415/206
2007/0065279 A1 * 3/2007 Lin et al. 415/206
2008/0019827 A1 * 1/2008 Hirata 415/206

(Continued)

Primary Examiner — Selina Sikder

(74) *Attorney, Agent, or Firm* — Wei Te Chung; Ming Chieh Chang

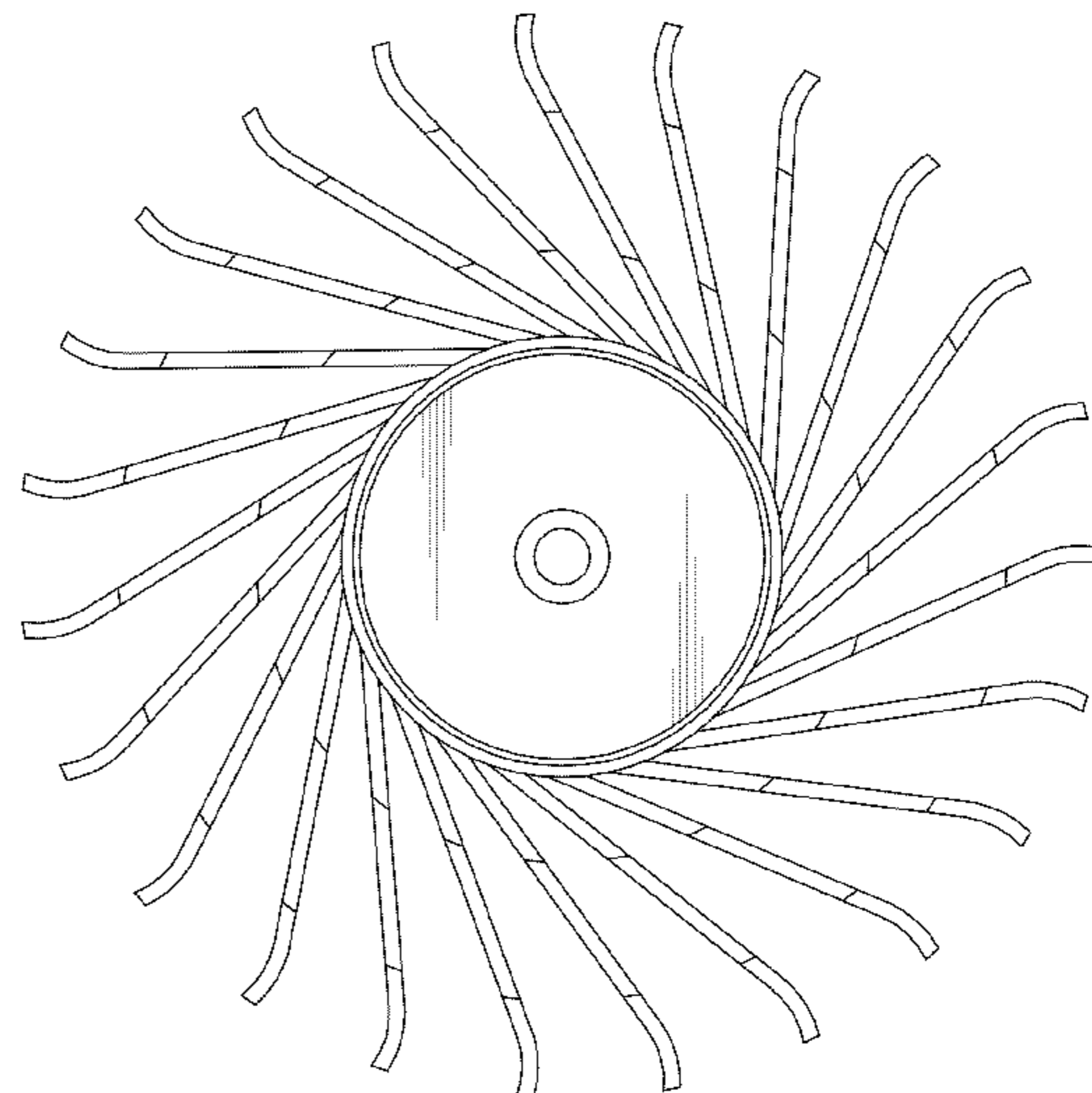
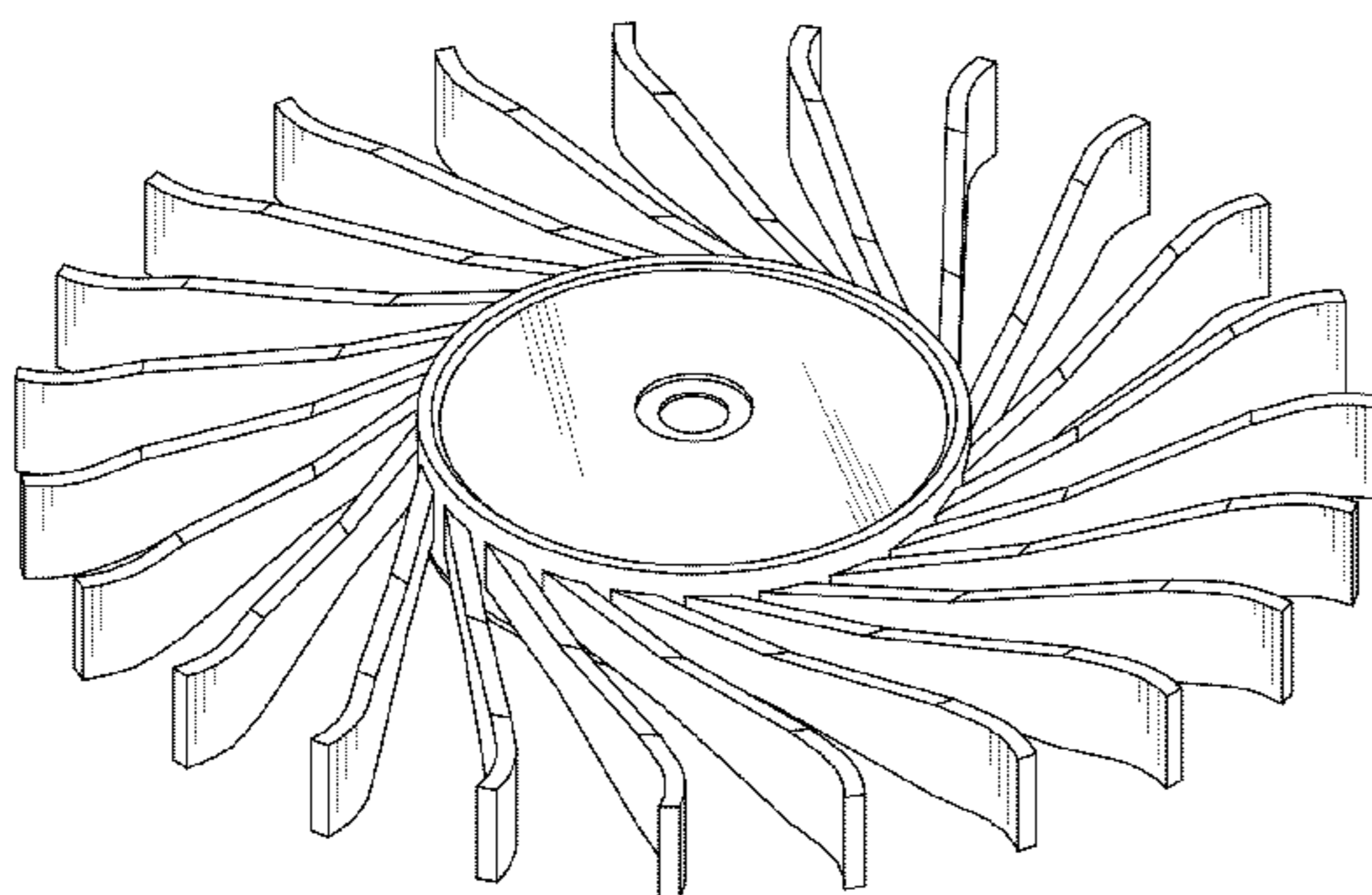
(57) **CLAIM**

The ornamental design for a cooling fan, as shown and described.

DESCRIPTION

FIG. 1 is a perspective view of a cooling fan showing our new design.
FIG. 2 is a front elevational view of the cooling fan.
FIG. 3 is a rear elevational view of the cooling fan.
FIG. 4 is a left-side, elevational view of the cooling fan.
FIG. 5 is a right-side, elevational view of the cooling fan.
FIG. 6 is a top plan view of the cooling fan.
FIG. 7 is a bottom plan view of the cooling fan; and,
FIG. 8 is a view similar to FIG. 1, but in a different assembly of a hub and a impeller of the cooling fan.

1 Claim, 8 Drawing Sheets



US D694,874 S

Page 2

(56)

References Cited

U.S. PATENT DOCUMENTS

2008/0043436	A1 *	2/2008	Hung et al.	361/700
2008/0093056	A1 *	4/2008	Hwang et al.	165/104.33
2008/0105410	A1 *	5/2008	Hwang et al.	165/104.33
2008/0117594	A1 *	5/2008	Hwang et al.	361/697
2009/0010757	A1 *	1/2009	Hwang et al.	415/204
2009/0053053	A1 *	2/2009	Lin	415/206
2010/0092282	A1 *	4/2010	Hwang et al.	415/206
2011/0058938	A1 *	3/2011	Chen	415/206

* cited by examiner

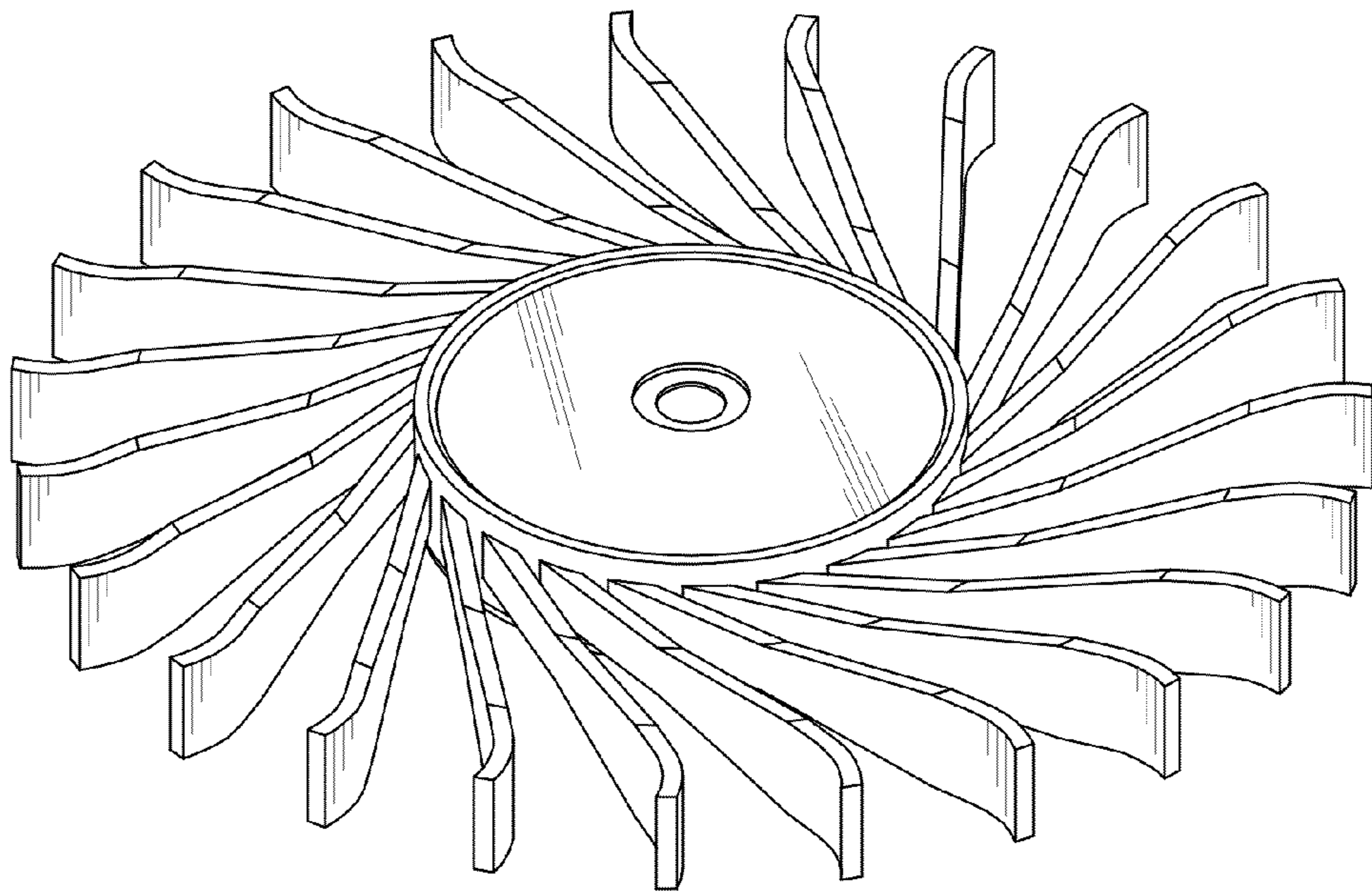


FIG. 1

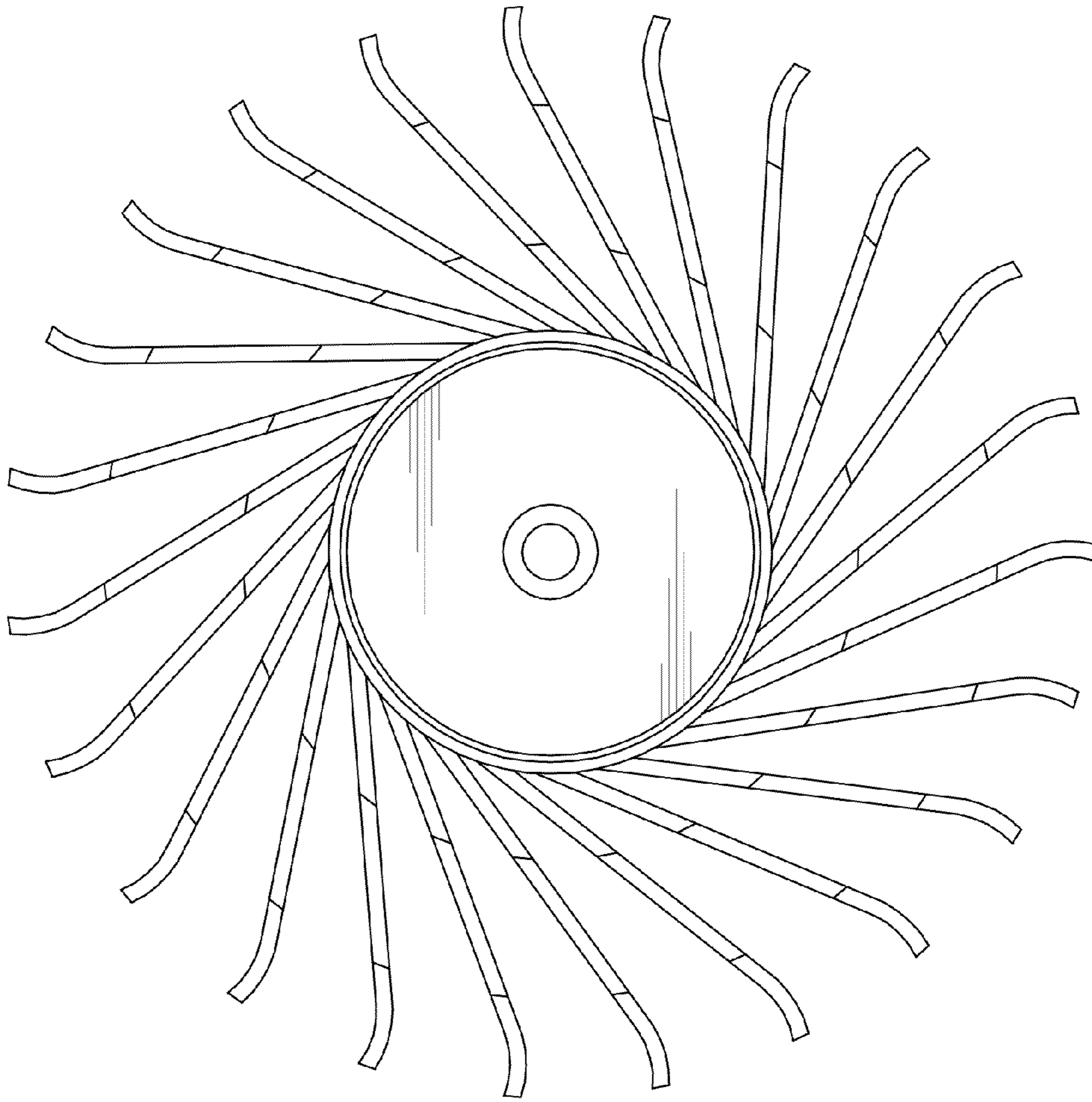


FIG. 2

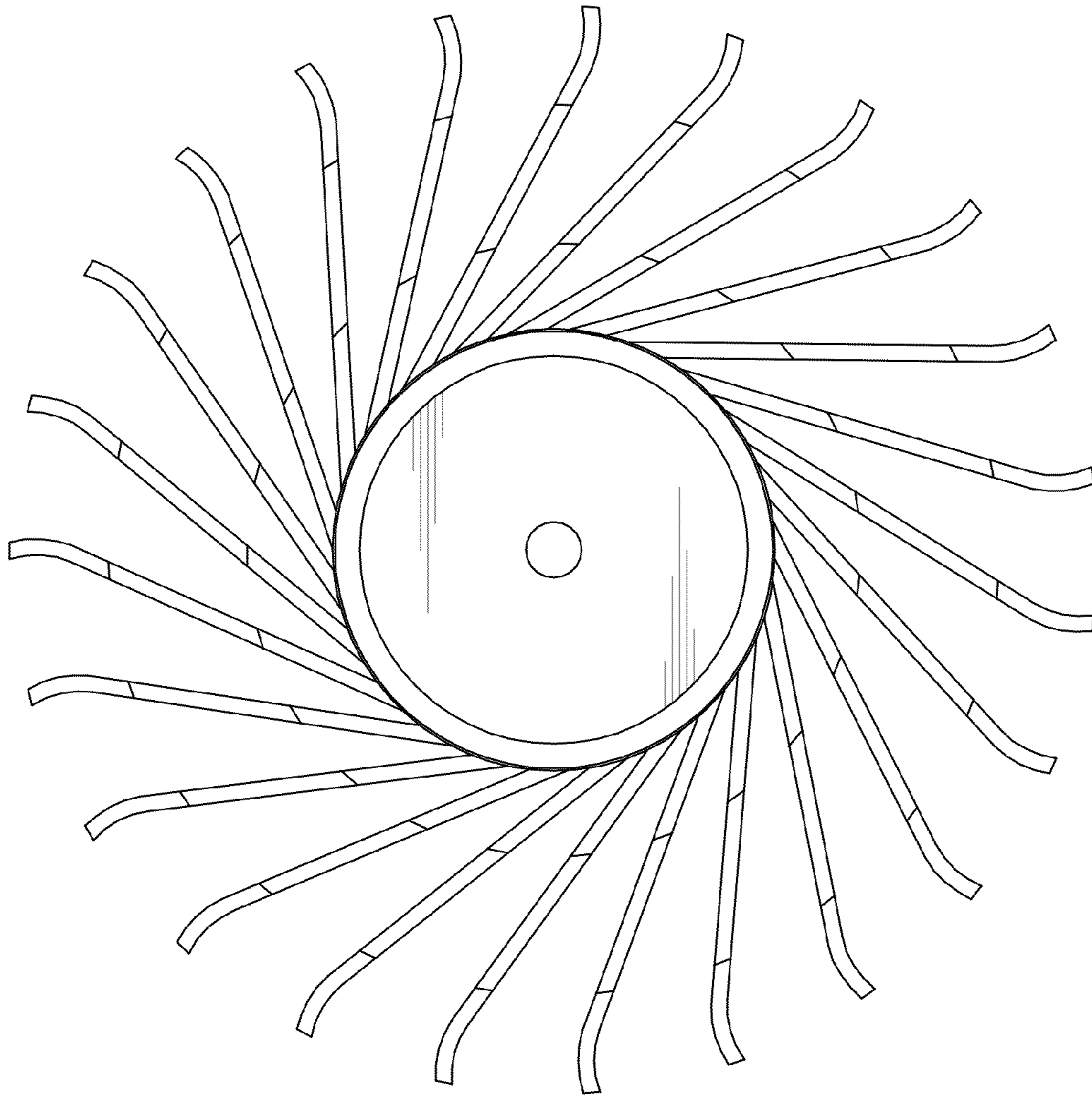


FIG. 3

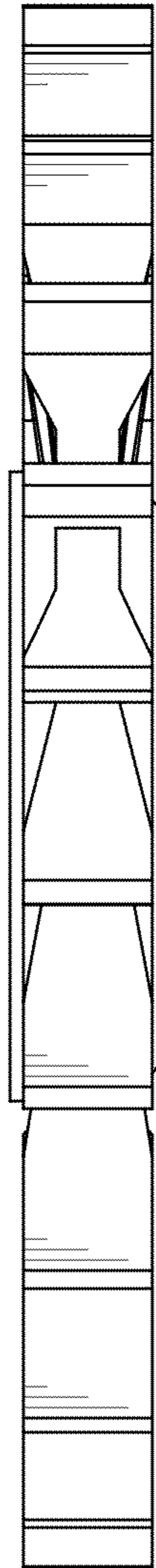


FIG. 4

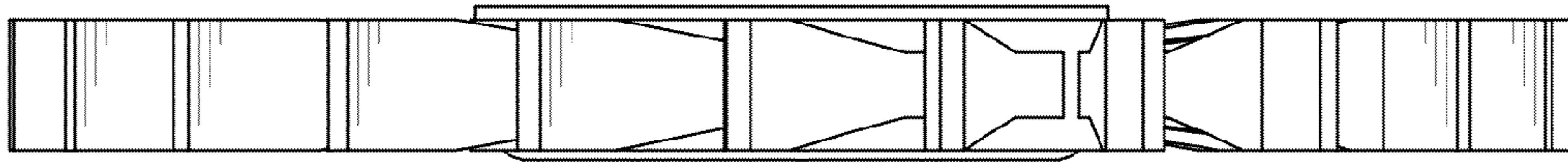


FIG. 6

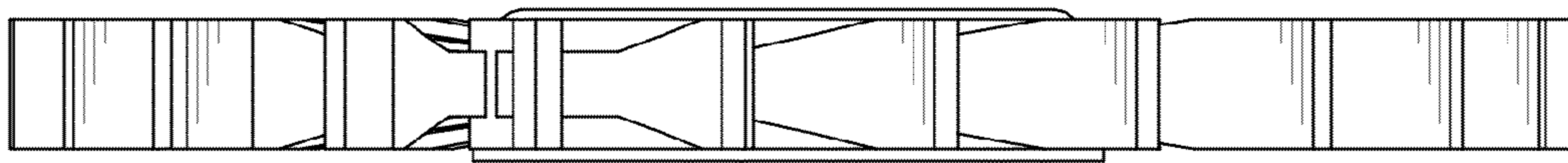


FIG. 7

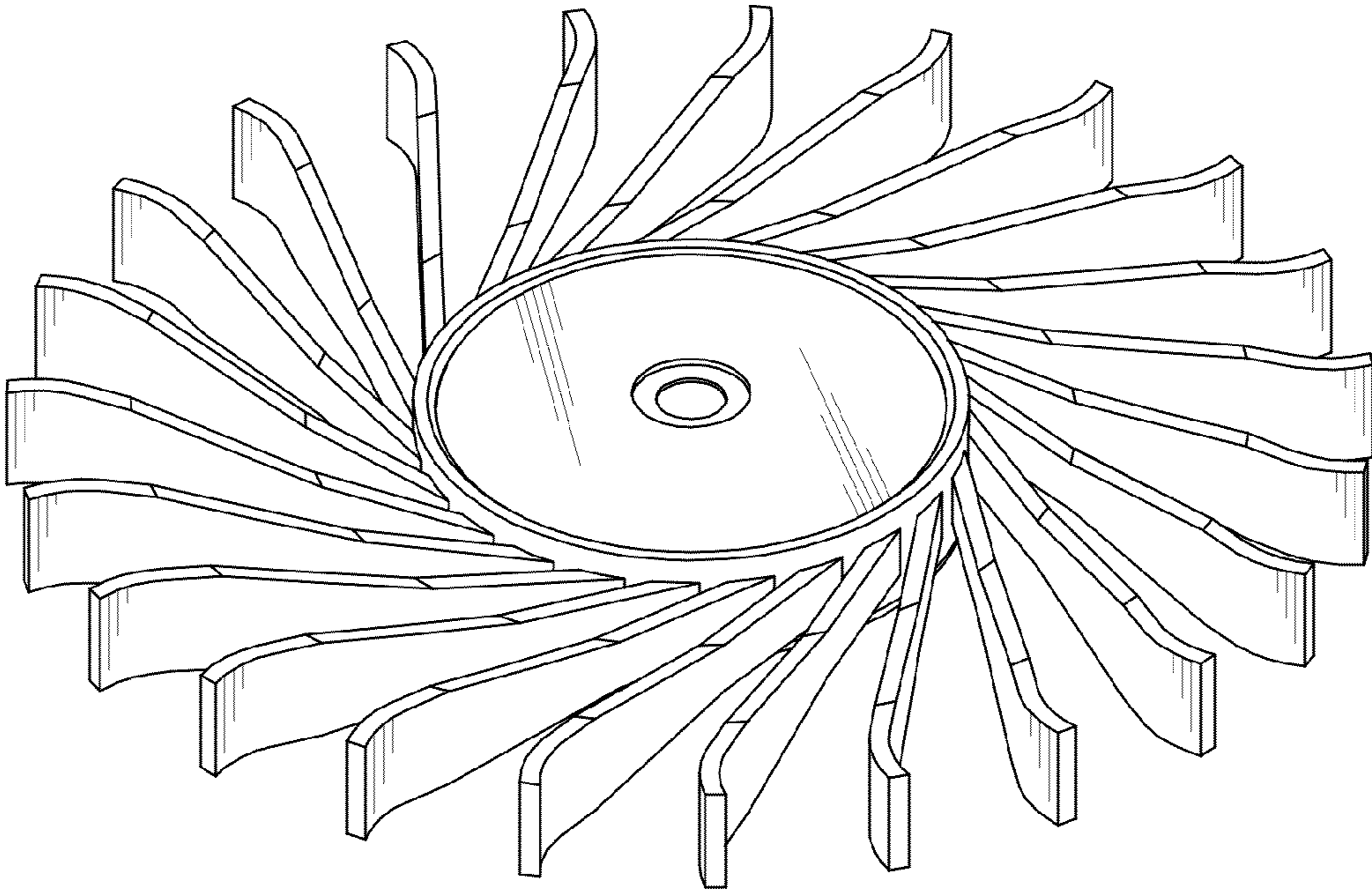


FIG. 8