

US00D694873S

(12) **United States Design Patent**
Nemes et al.

(10) **Patent No.:** **US D694,873 S**
(45) **Date of Patent:** **** Dec. 3, 2013**

(54) **FIREPLACE INSERT**
(75) Inventors: **Tyler Nemes**, Delray Beach, FL (US);
Matthew Crowe, Chelsea (CA);
Jianmin Huang, Dongguan (CN)
(73) Assignee: **Twin-Star International, Inc.**, Delray
Beach, FL (US)
(**) Term: **14 Years**
(21) Appl. No.: **29/424,141**
(22) Filed: **Jun. 7, 2012**
(51) **LOC (9) Cl.** **23-03**
(52) **U.S. Cl.**
USPC **D23/405**
(58) **Field of Classification Search**
USPC D23/403-410, 415-422, 499, 345, 347,
D23/349; D7/332, 402, 407, 417; D15/144;
40/428, 798; 44/520, 530; 52/36.3;
126/201, 258, 500, 512, 540, 543, 544,
126/548, 555, 298; 160/DIG. 9; 219/549;
431/263, 273, 329
See application file for complete search history.

D664,634 S * 7/2012 Kent et al. D23/343
D671,200 S * 11/2012 Kent et al. D23/343
2003/0110671 A1 * 6/2003 Hess 40/428
2004/0231250 A1 * 11/2004 Husted et al. 52/36.3
2005/0066960 A1 * 3/2005 Harp et al. 126/500
2006/0150966 A1 * 7/2006 Jamieson 126/500
2011/0080261 A1 * 4/2011 Asofsky et al. 340/6.1

FOREIGN PATENT DOCUMENTS

CA 141285 7/2012

* cited by examiner

Primary Examiner — Karen S Acker

(74) *Attorney, Agent, or Firm* — Johnson & Martin P.A.;
James David Johnson

(57) **CLAIM**

The ornamental designs for a fireplace insert, as shown and described.

DESCRIPTION

FIG. 1 is a perspective view of an ornamental design for a fireplace insert.

FIG. 2 is a front elevation view of the fireplace insert of FIG. 1.

FIG. 3 is a rear elevation view of the fireplace insert of FIG. 1.
FIG. 4 is a left side elevation view of the fireplace insert of FIG. 1.

FIG. 5 is a right side elevation view of the fireplace insert of FIG. 1.

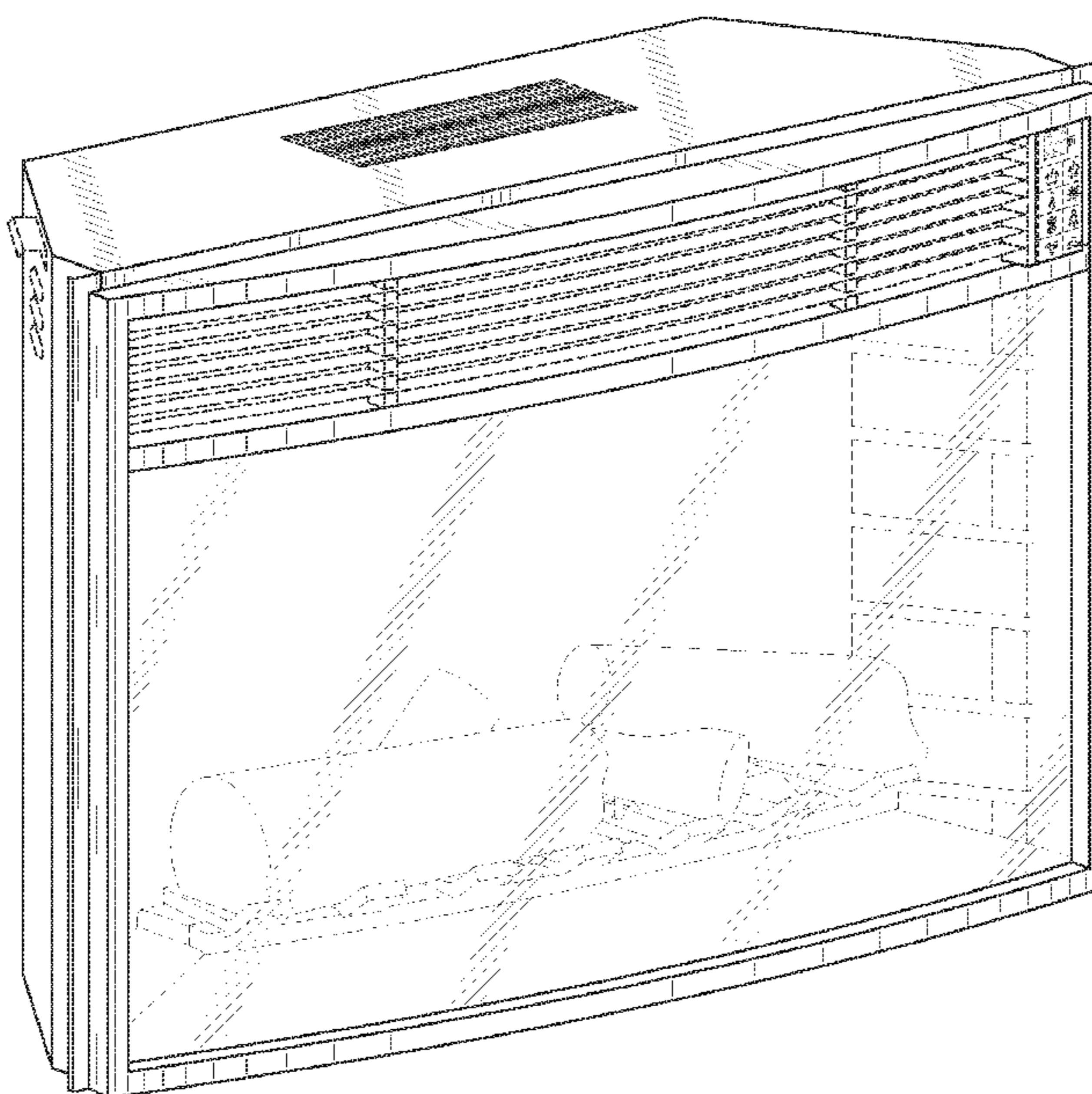
FIG. 6 is a top plan view of the fireplace insert of FIG. 1; and,
FIG. 7 is a bottom plan view of the fireplace insert of FIG. 1.
The broken line illustration of logs, vents, screw inserts, seams, control panel buttons and icons, and flanges represents portions of the fireplace insert that form no part of the claimed design.

(56) **References Cited**

U.S. PATENT DOCUMENTS

D301,924 S * 6/1989 Craver D23/344
D390,936 S * 2/1998 French et al. D23/350
5,752,500 A * 5/1998 Jamieson et al. 126/512
5,996,575 A * 12/1999 Shimek et al. 126/512
6,393,207 B1 * 5/2002 Martin et al. 392/348
7,162,820 B2 * 1/2007 Hess et al. 40/428
7,470,729 B2 * 12/2008 Lyons et al. 523/138
7,770,312 B2 * 8/2010 Stinson et al. 40/428
D658,750 S * 5/2012 Nemes D23/344

1 Claim, 6 Drawing Sheets



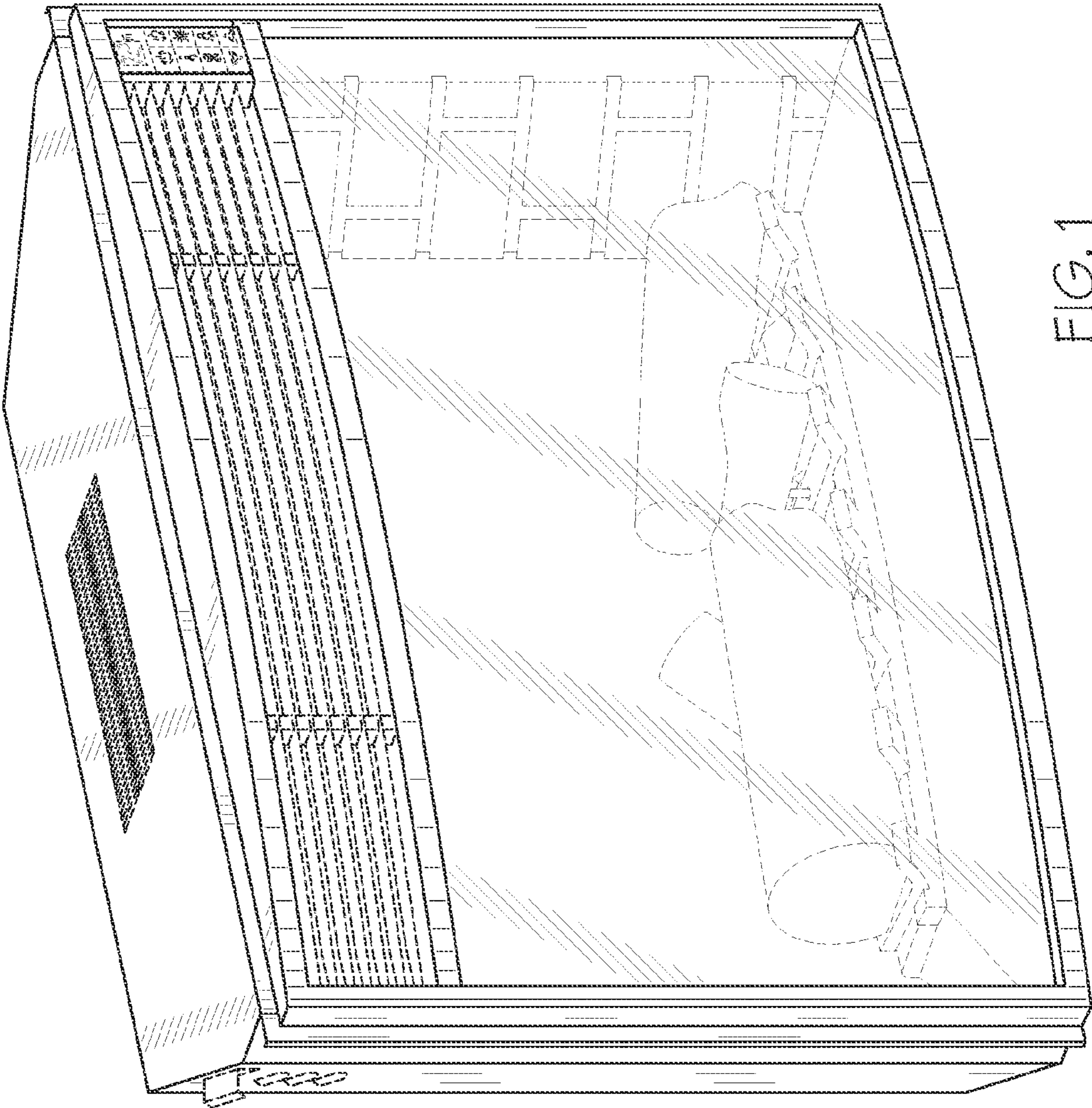


FIG. 1

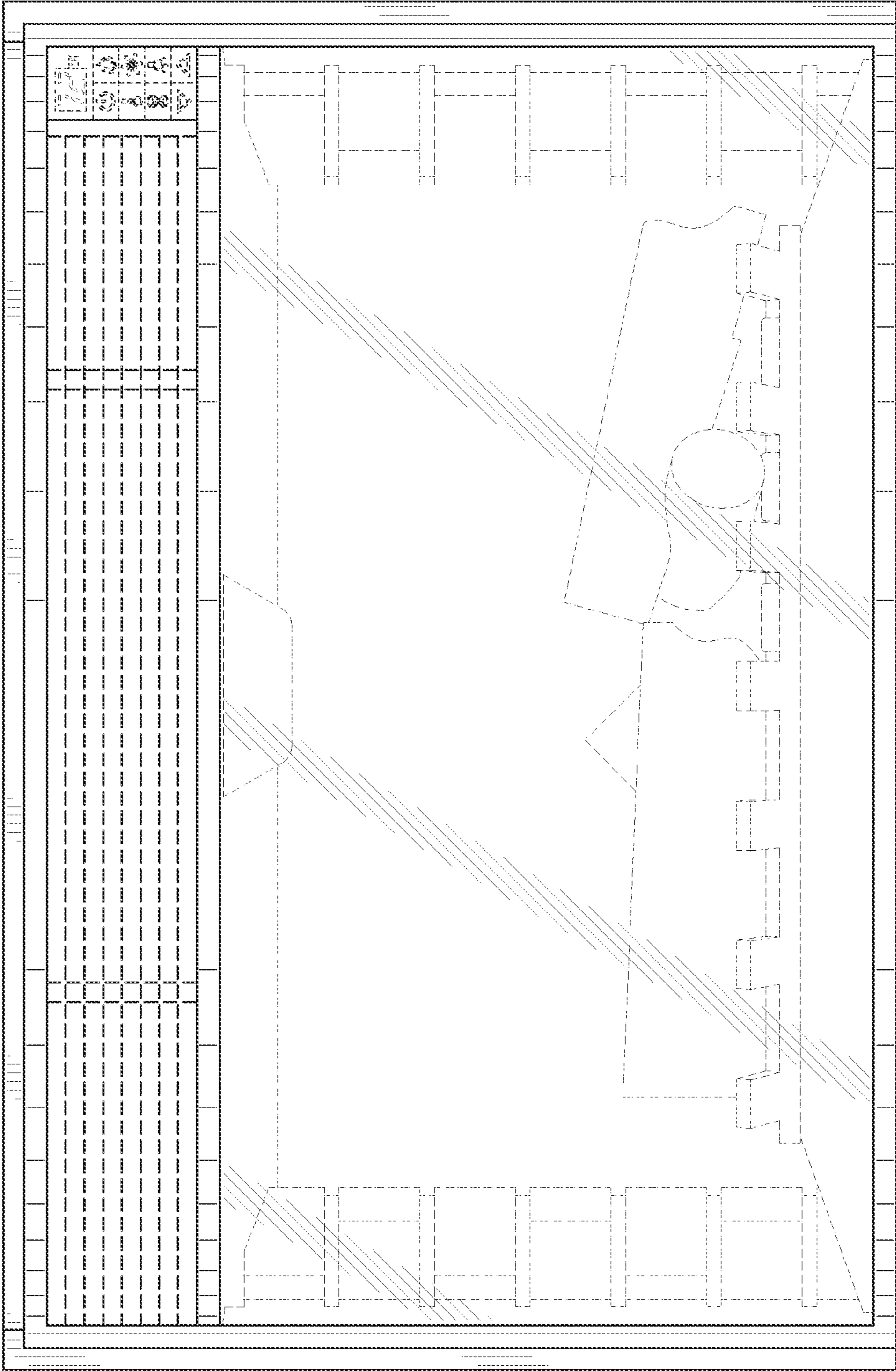


FIG. 2

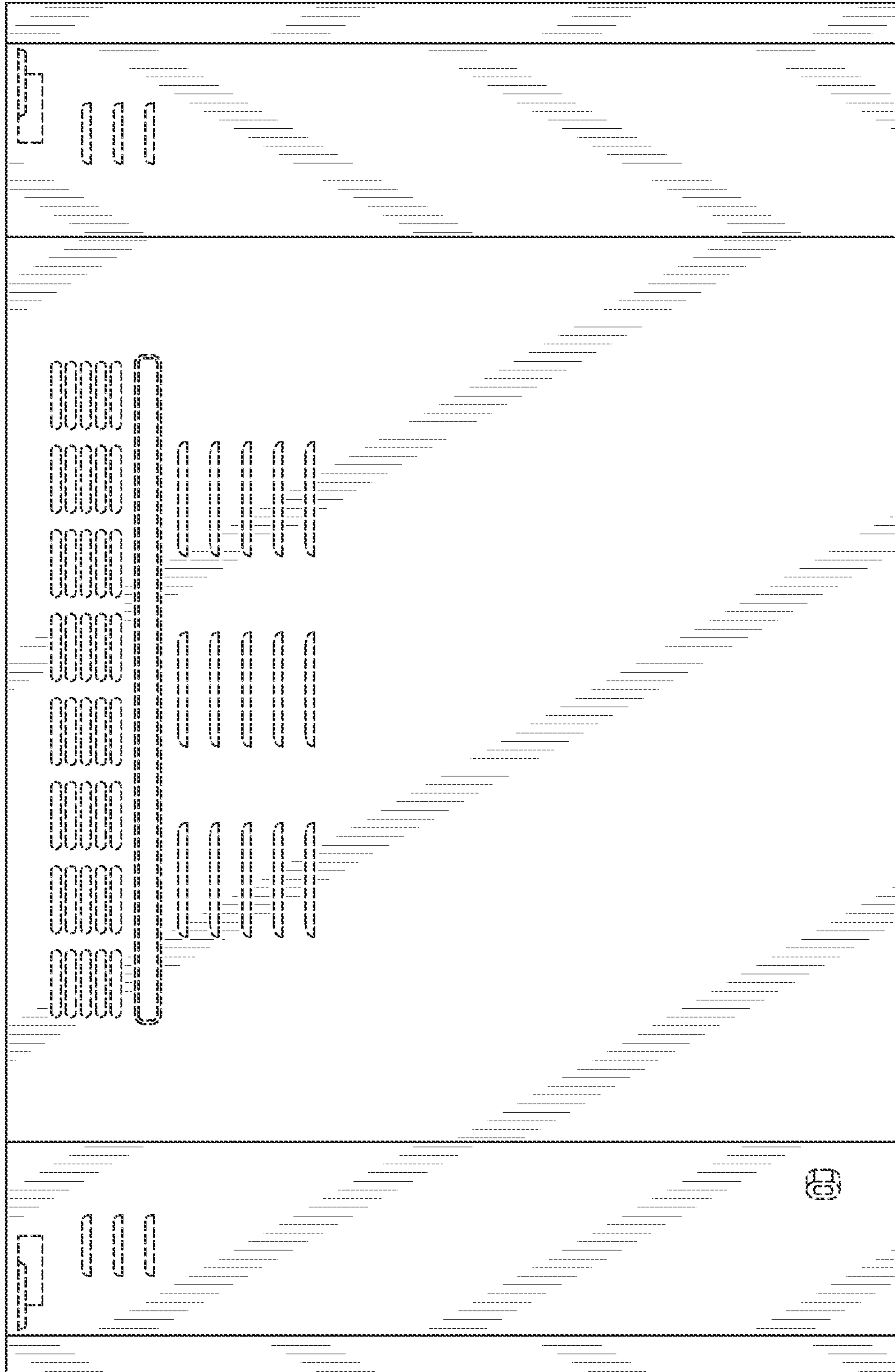


FIG. 3

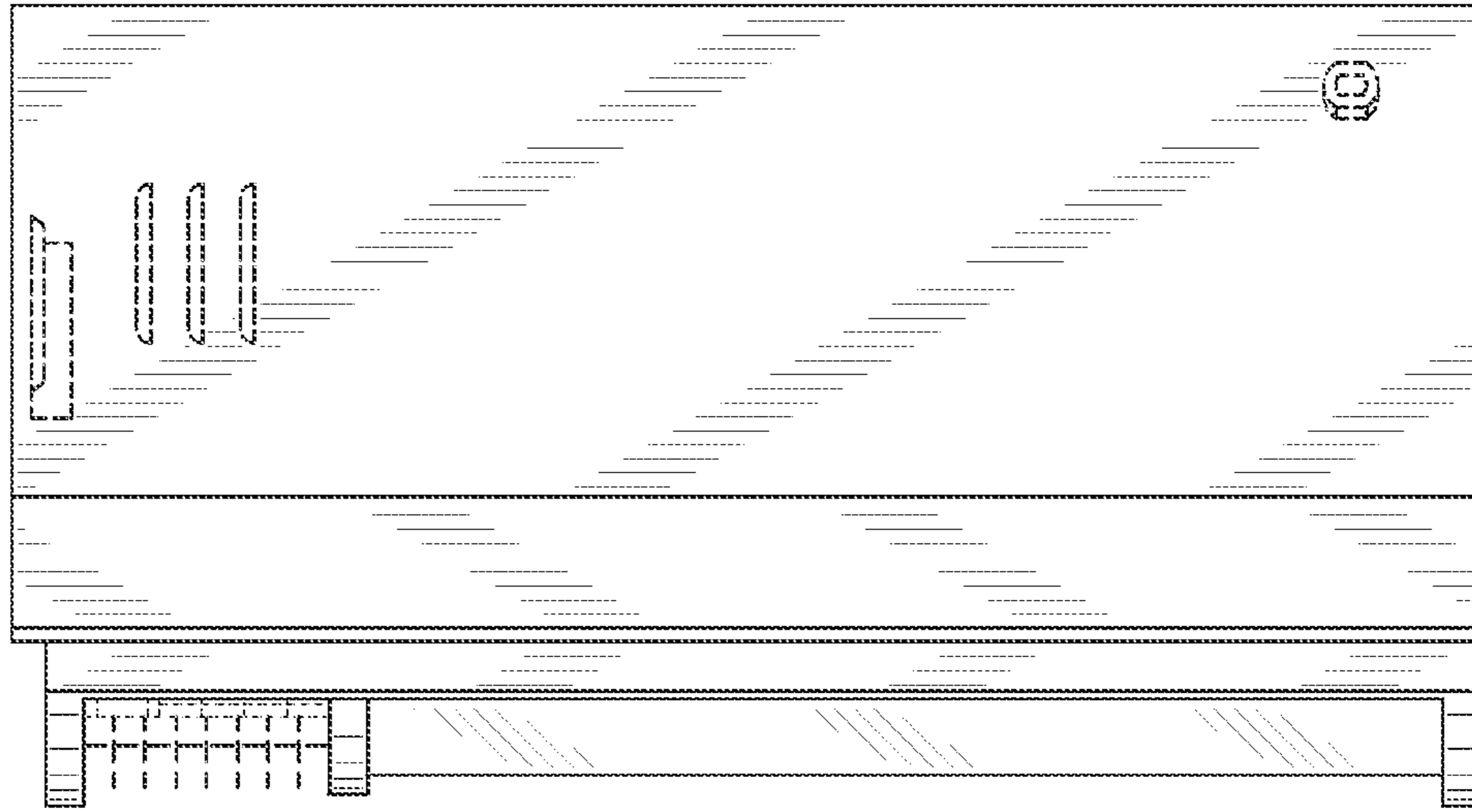


FIG. 5

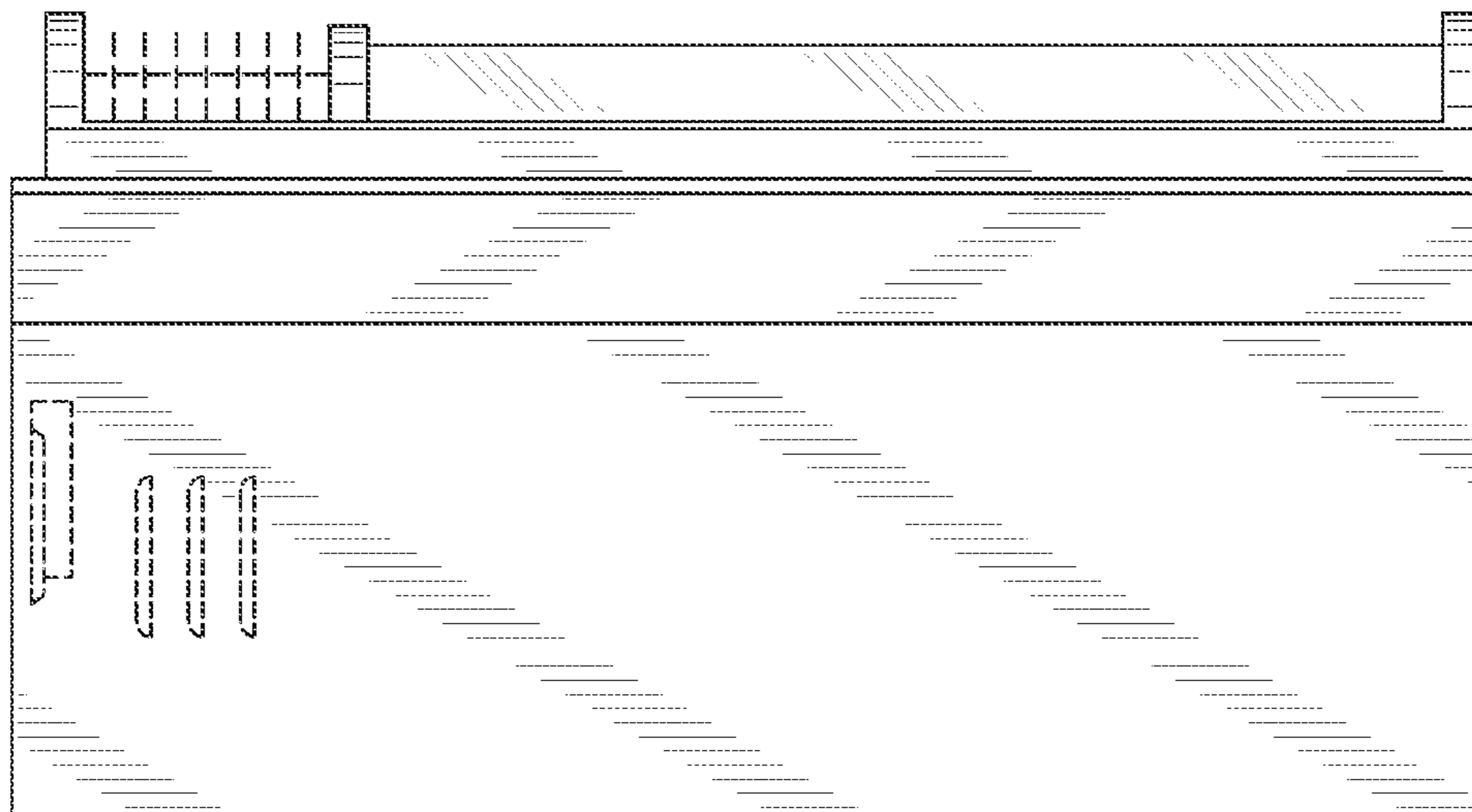


FIG. 4

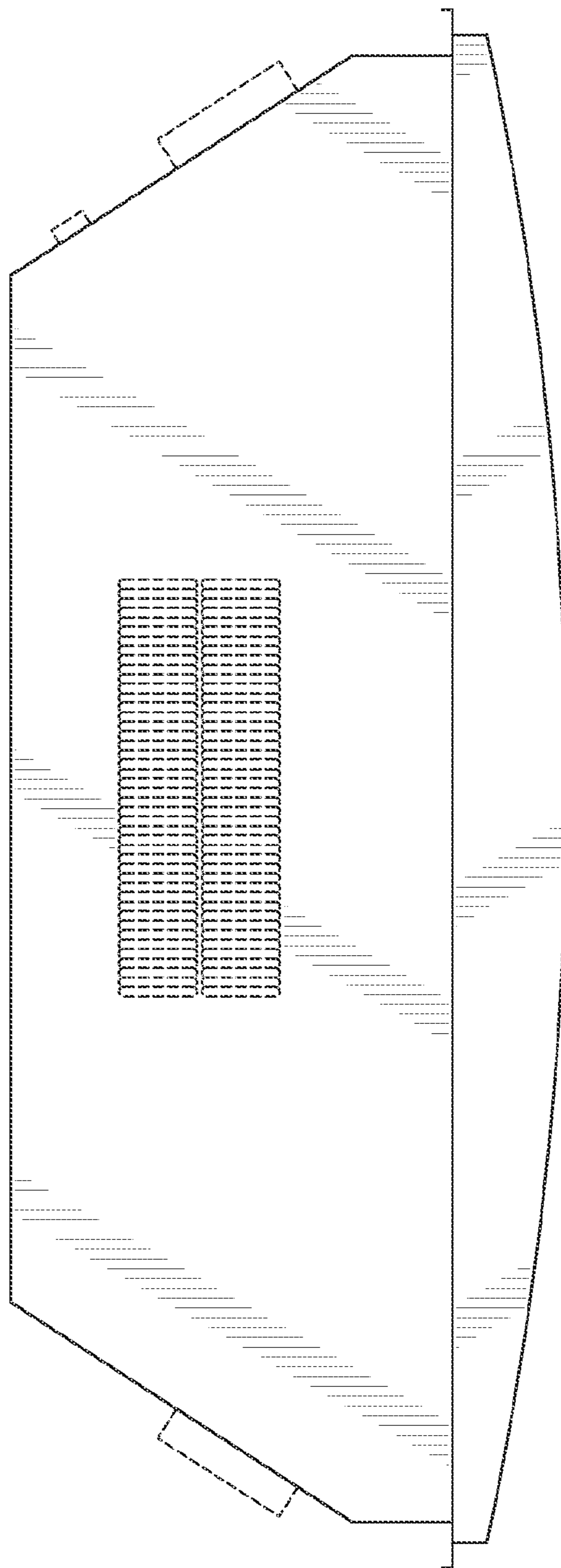


FIG. 6

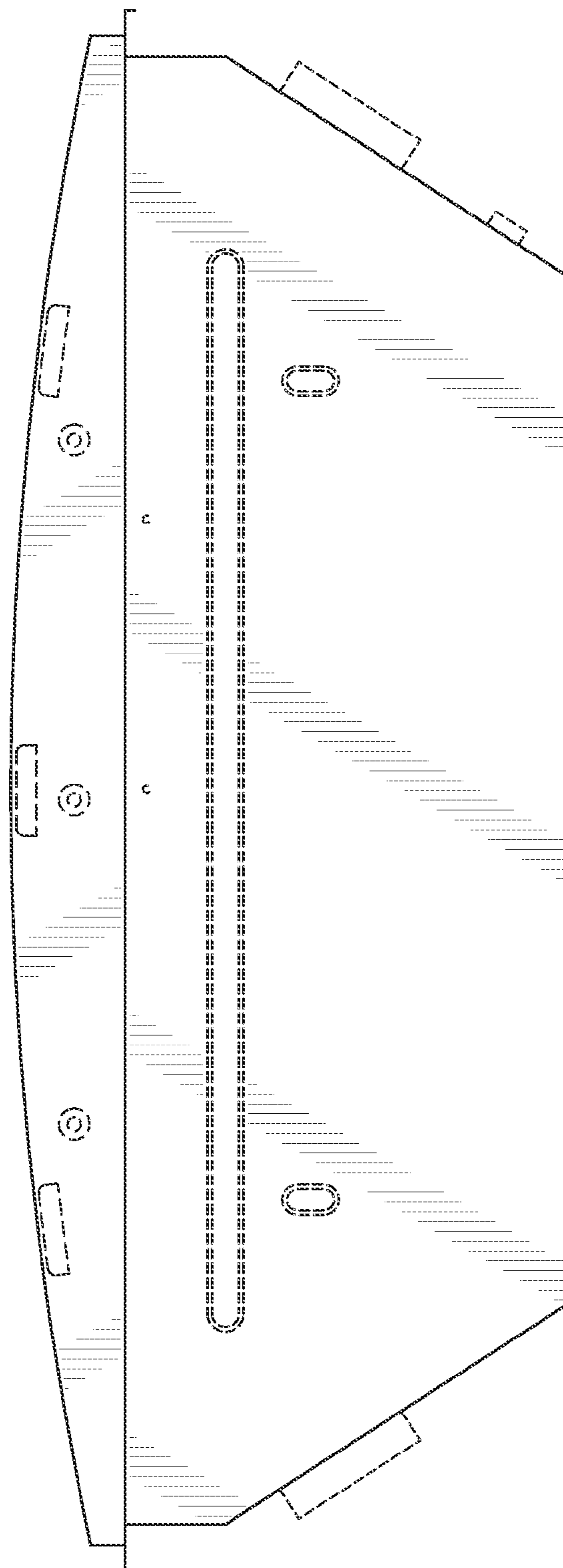


FIG. 7