



US00D694872S

(12) **United States Design Patent**
Gustafsson et al.

(10) **Patent No.:** **US D694,872 S**
(45) **Date of Patent:** **** Dec. 3, 2013**

(54) **VENTILATION DUCT JOINT**

(56) **References Cited**

(71) Applicant: **Fumex AB**, Skelleftea (SE)
(72) Inventors: **Johan Gustafsson**, Umea (SE); **Lars Hedlund**, Skelleftea (SE)
(73) Assignee: **Fumex AB**, Skelleftea (SE)
(**) Term: **14 Years**
(21) Appl. No.: **29/450,520**
(22) Filed: **Mar. 19, 2013**

U.S. PATENT DOCUMENTS

D239,939 S	5/1976	Whitbread	
D273,702 S	5/1984	Widerby et al.	
D315,949 S	4/1991	Sello	
D394,101 S	5/1998	Hayashi et al.	
5,879,232 A	3/1999	Luter et al.	
6,890,149 B2	5/2005	Metz et al.	
D510,995 S	10/2005	Tam	
D527,091 S	8/2006	Stout, Jr.	
D537,517 S	2/2007	Hancock	
D568,459 S	5/2008	Wang	
D579,100 S	10/2008	Lin	
D620,858 S *	8/2010	Noguchi et al. D12/182
8,197,193 B2 *	6/2012	Messmer 415/126
2003/0035735 A1	2/2003	Wang	

* cited by examiner

Related U.S. Application Data

(62) Division of application No. 29/387,162, filed on Mar. 9, 2011, now Pat. No. Des. 681,797.

Primary Examiner — Cathy A MacCormac

(74) *Attorney, Agent, or Firm* — Renner, Otto, Boisselle & Sklar, LLP

(30) **Foreign Application Priority Data**

Sep. 10, 2010 (EM) 001753237

(51) **LOC (9) Cl.** **23-04**

(52) **U.S. Cl.**
USPC **D23/393**

(58) **Field of Classification Search**
USPC D23/263, 364, 370-371, 383, 385-388,
D23/390-391, 393; 165/152; 415/126;
454/349, 354-355

See application file for complete search history.

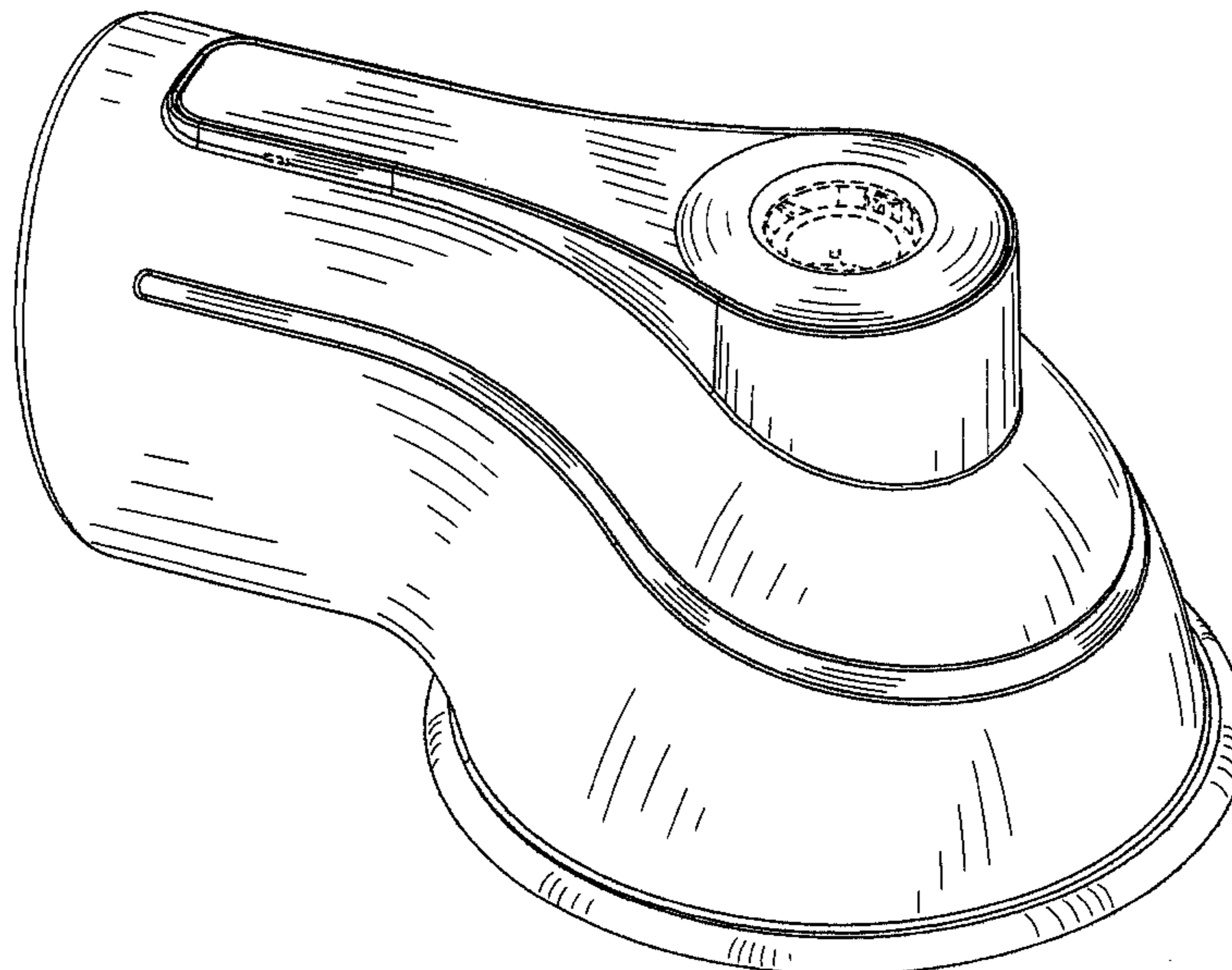
(57) **CLAIM**

The ornamental design for a ventilation duct joint, as shown and described.

DESCRIPTION

FIG. 1 is a perspective view of a ventilation duct joint according to our new design.
FIG. 2 is a front view thereof.
FIG. 3 is a rear view thereof.
FIG. 4 is a top view thereof.
FIG. 5 is a bottom view thereof.
FIG. 6 is a right side view thereof; and,
FIG. 7 is a left side view thereof.

1 Claim, 7 Drawing Sheets



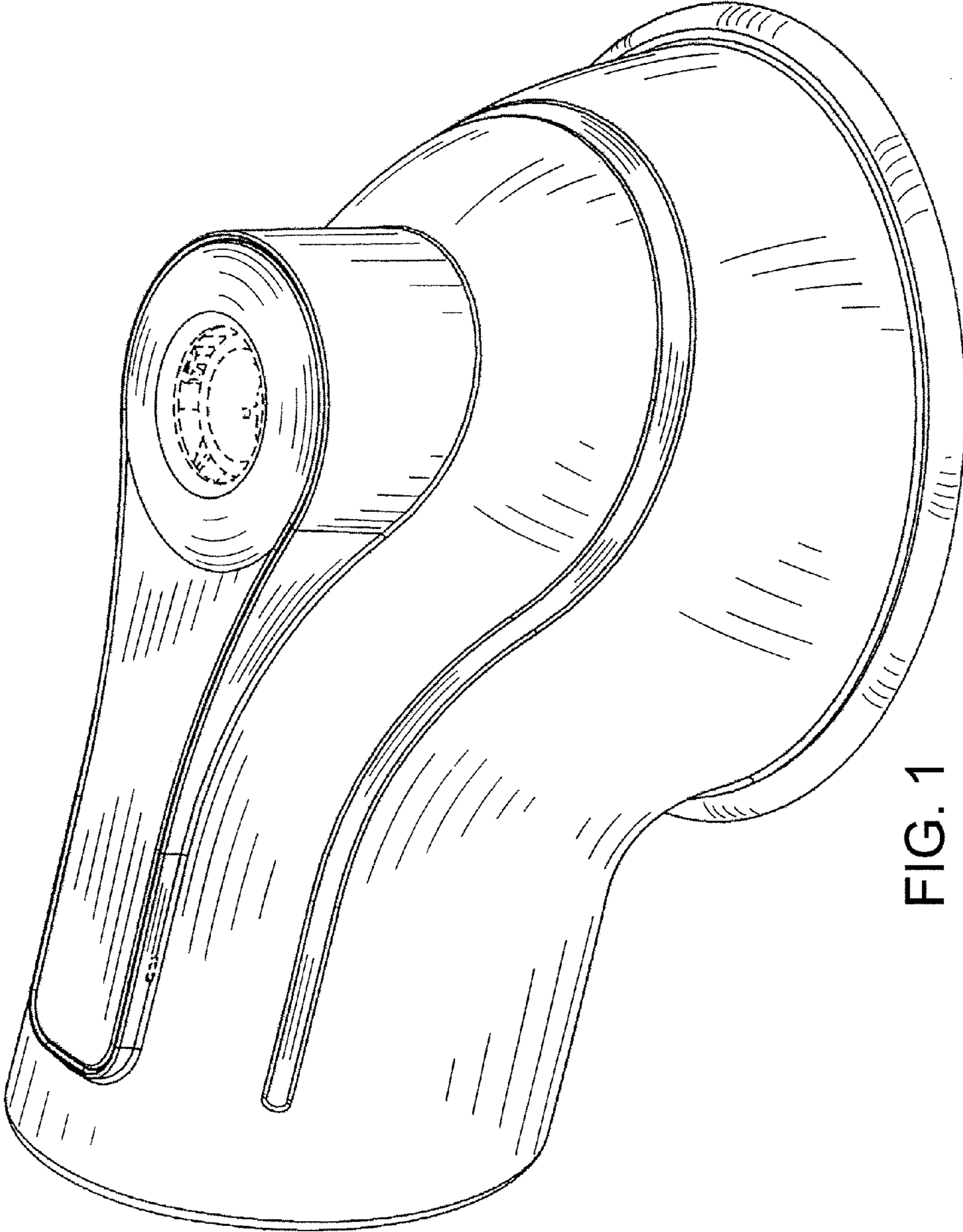


FIG. 1

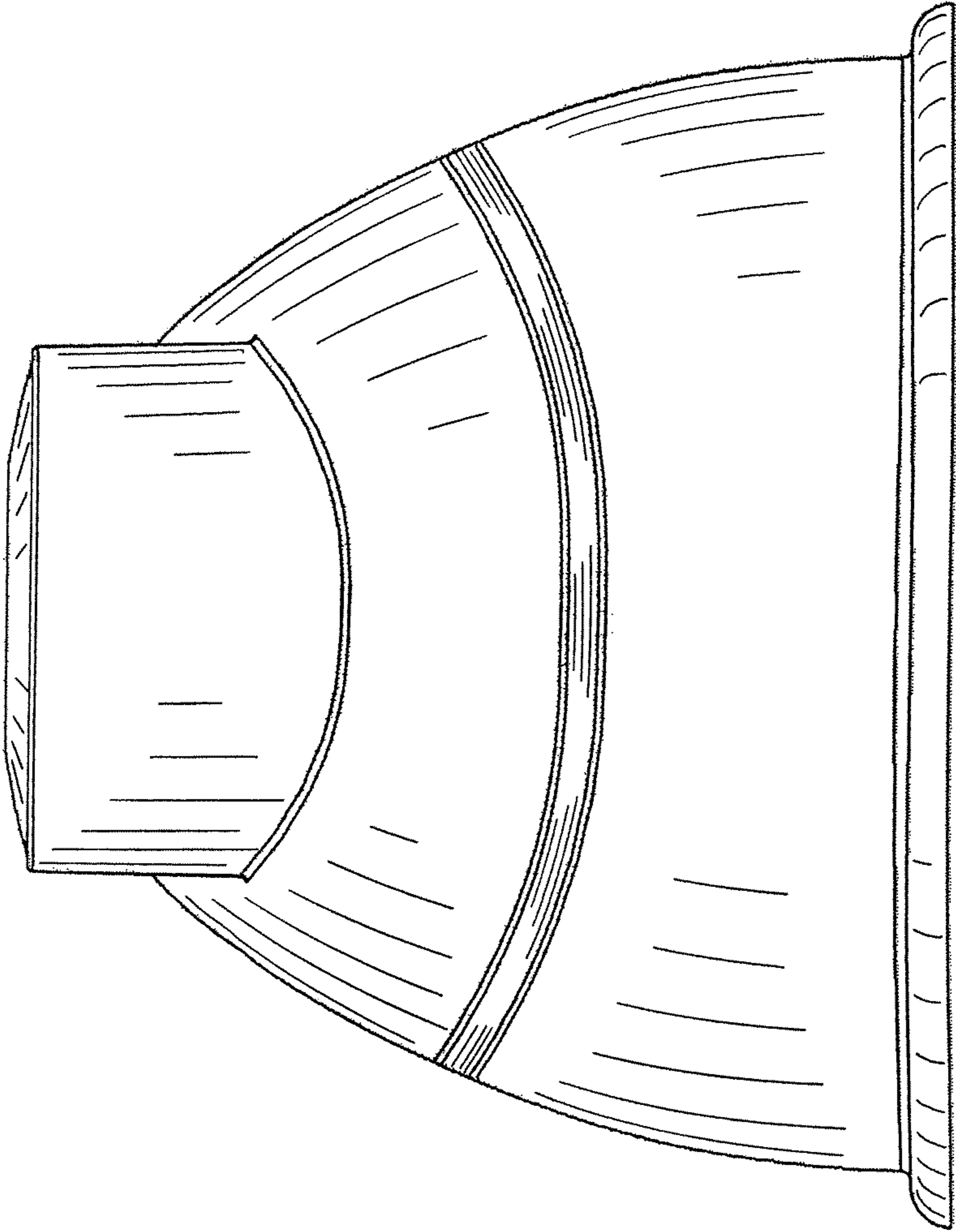


FIG. 2

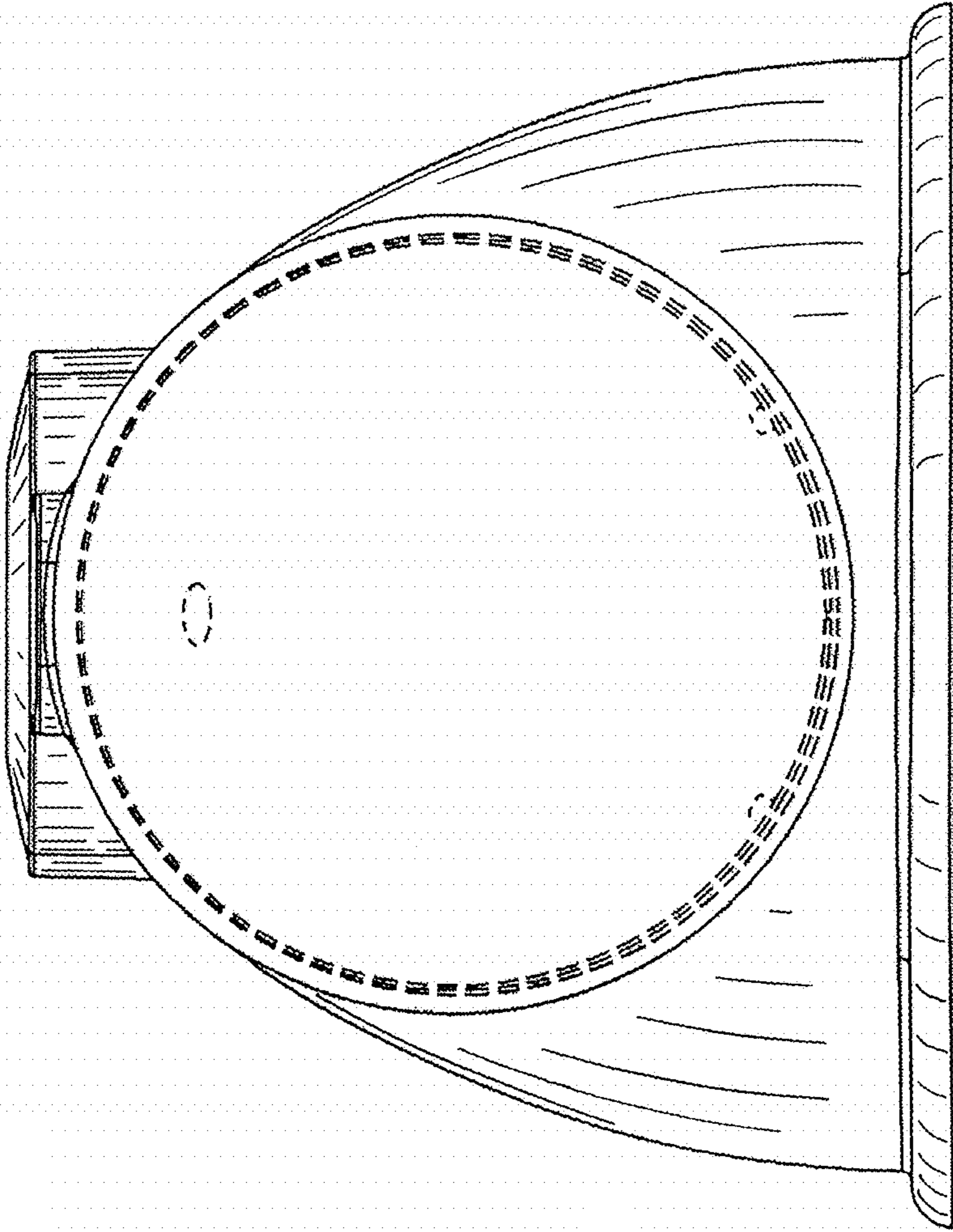


FIG. 3

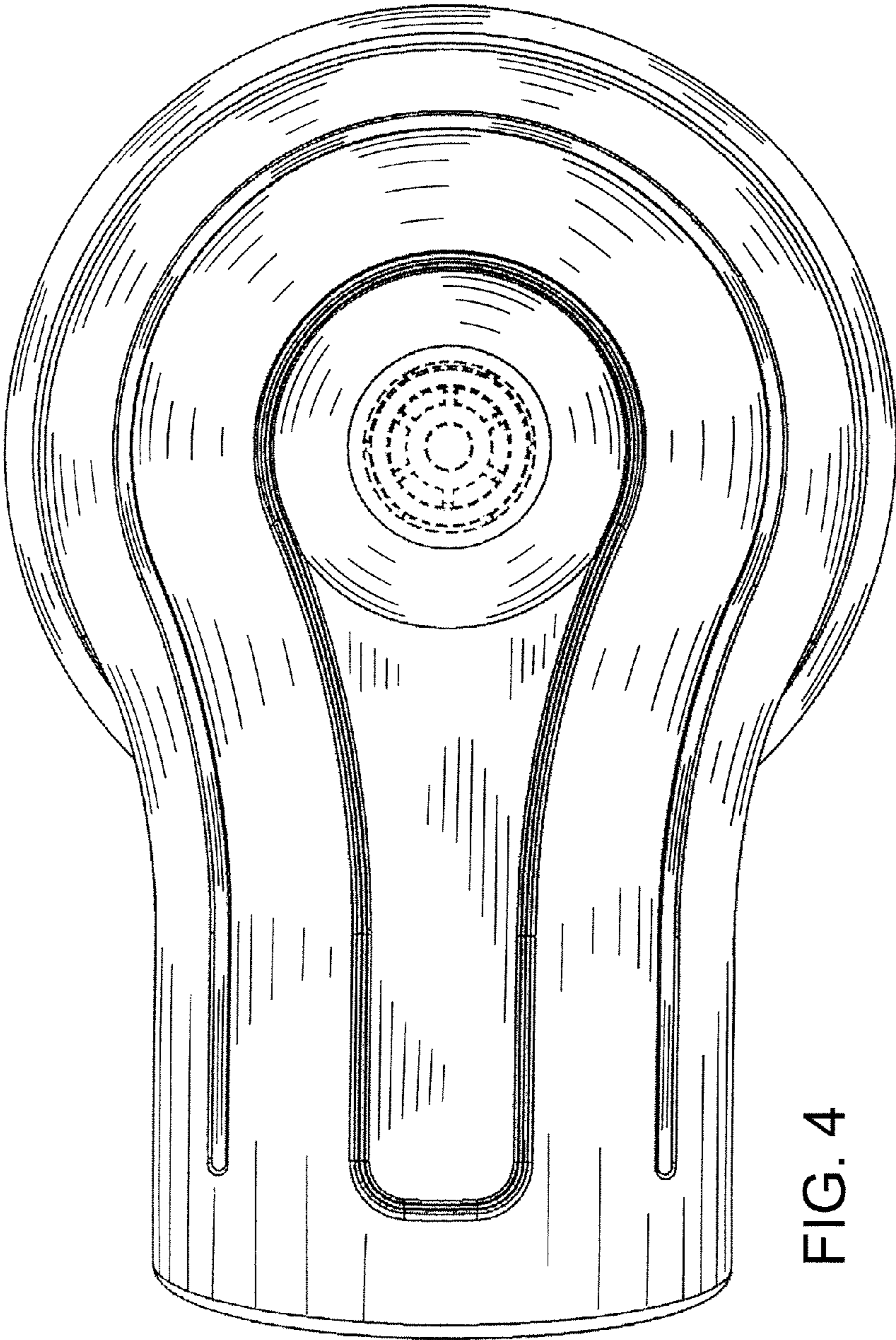


FIG. 4

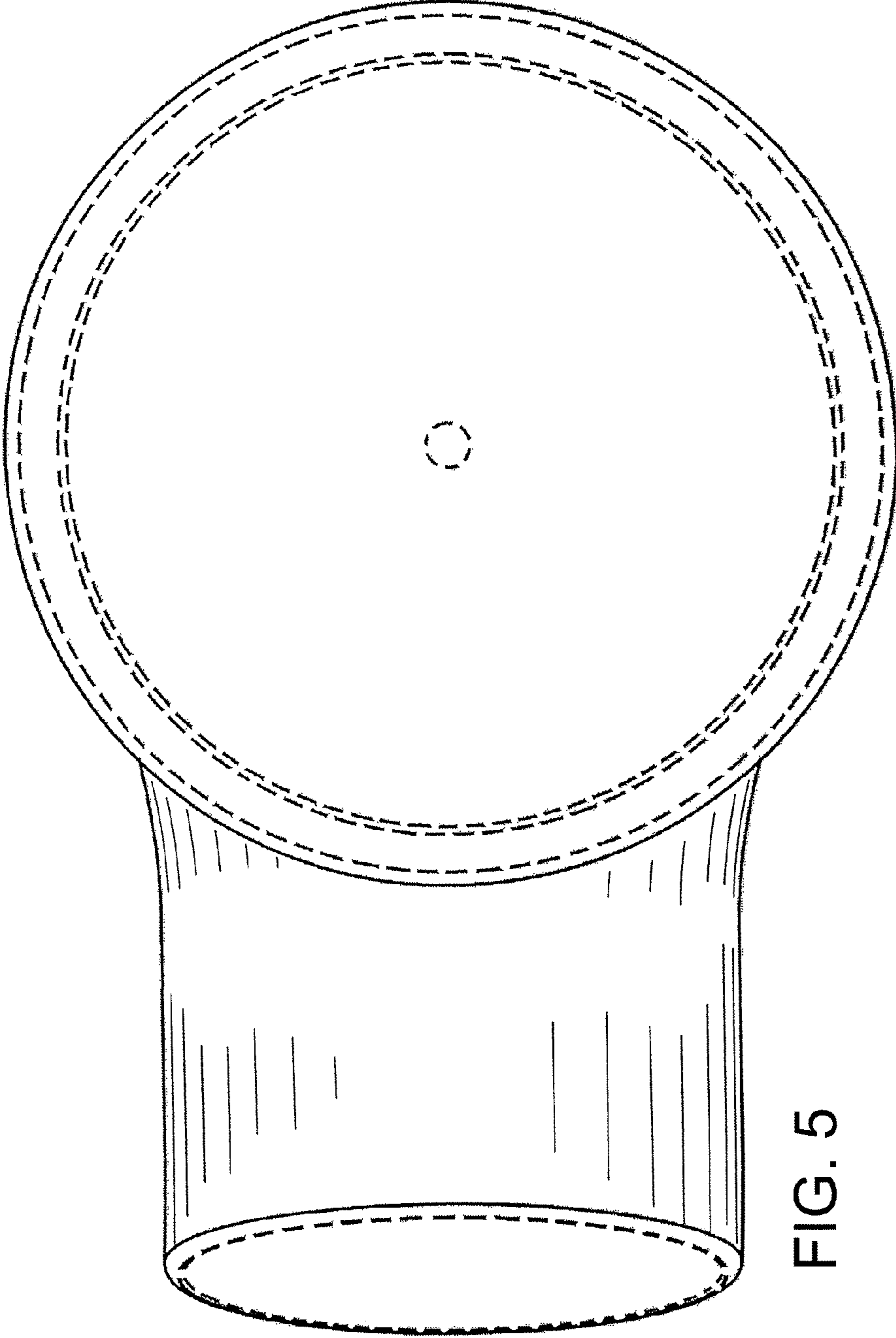


FIG. 5

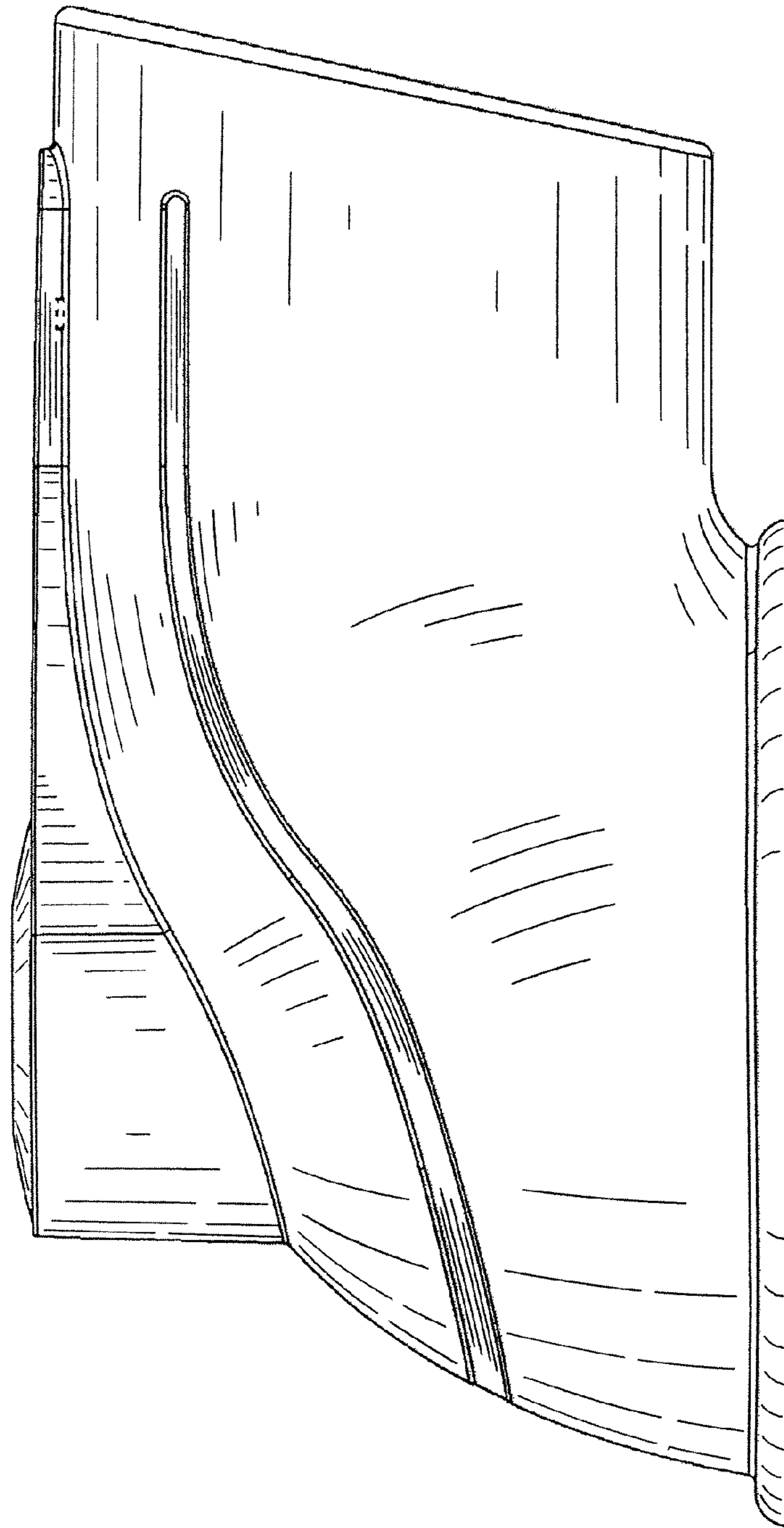


FIG. 6

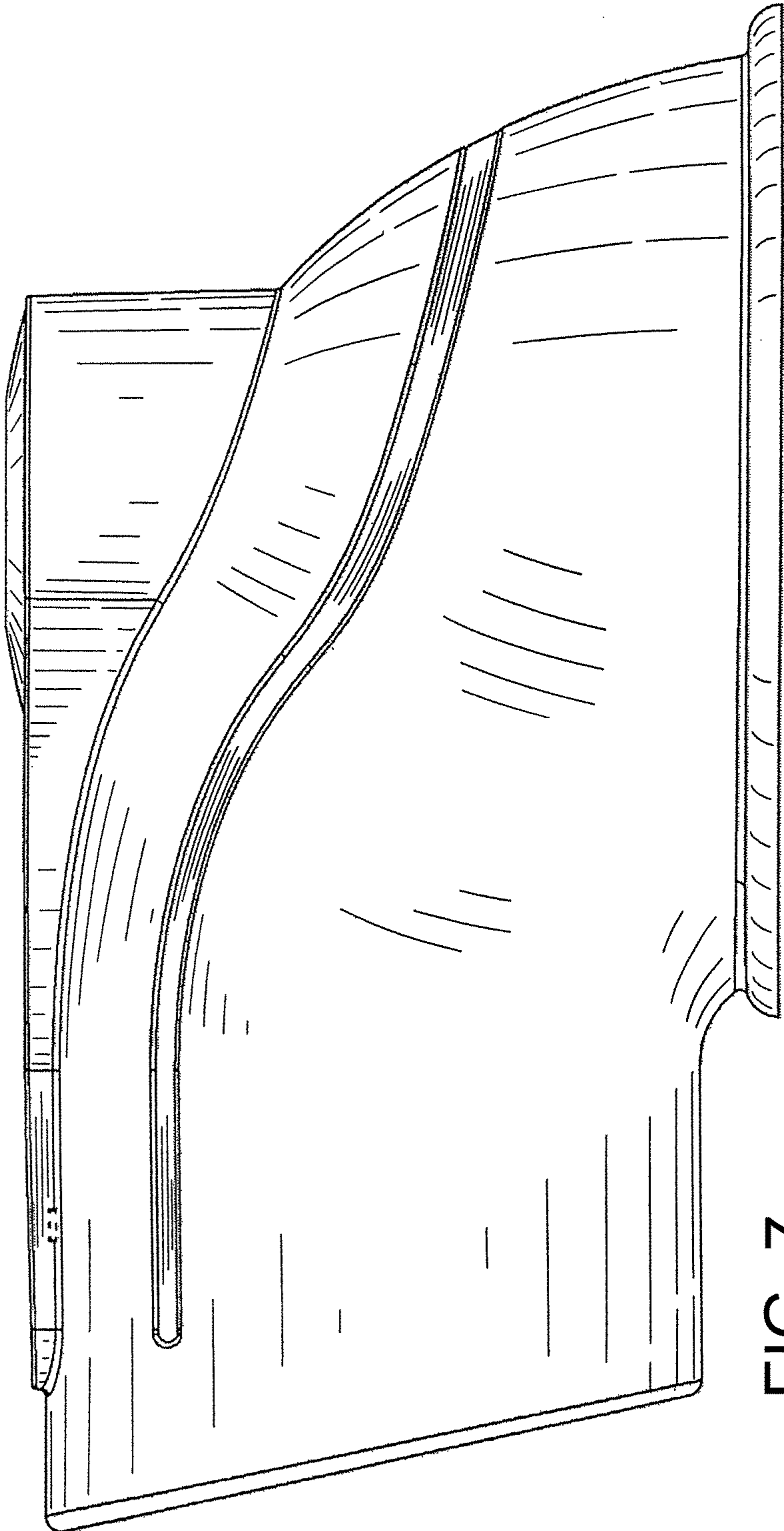


FIG. 7