

US00D694871S

(12) **United States Design Patent**
Maholick et al.

(10) **Patent No.:** **US D694,871 S**
(45) **Date of Patent:** **** Dec. 3, 2013**

(54) **SCREEN**
(71) Applicant: **General Electric Company**,
Schenectady, NY (US)
(72) Inventors: **William Maholick**, Lawrence Park, PA
(US); **Jaime Jesus Garcia**, Lawrence
Park, PA (US); **Michael Moran**, New
Boston, MI (US)

D403,414 S * 12/1998 Shelton et al. D23/365
D438,214 S * 2/2001 Gieseke et al. D15/5
D470,216 S * 2/2003 Gustafson et al. D23/209
6,758,885 B2 * 7/2004 Leffel et al. 55/385.3
6,884,274 B2 * 4/2005 Niakan et al. 55/482
D508,119 S * 8/2005 Shayan D23/365
D517,183 S * 3/2006 Huang D23/365
7,056,364 B2 * 6/2006 Wang 55/495
D541,373 S * 4/2007 Storckman D23/209
D652,497 S * 1/2012 Troxell et al. D23/365

(73) Assignee: **General Electric Company**,
Schenectady, NY (US)

FOREIGN PATENT DOCUMENTS

(**) Term: **14 Years**

EP 1888202 B1 11/2006
* cited by examiner

(21) Appl. No.: **29/445,439**

Primary Examiner — David Muller
(74) *Attorney, Agent, or Firm* — GE Global Patent
Operation; John A. Kramer

(22) Filed: **Feb. 12, 2013**

(51) **LOC (9) Cl.** **23-04**

(57) **CLAIM**

The ornamental design for a screen, as shown and described.

(52) **U.S. Cl.**
USPC **D23/365**

DESCRIPTION

(58) **Field of Classification Search**
USPC D23/365, 209, 363, 358, 386, 354, 341,
D23/364, 303; 55/385.3, 502, 497, 506,
55/505, 521, 495, 422, 493, DIG. 30;
210/435, 130, 136, 248, 339, 448, 452,
210/497.1; D32/31; D15/5
See application file for complete search history.

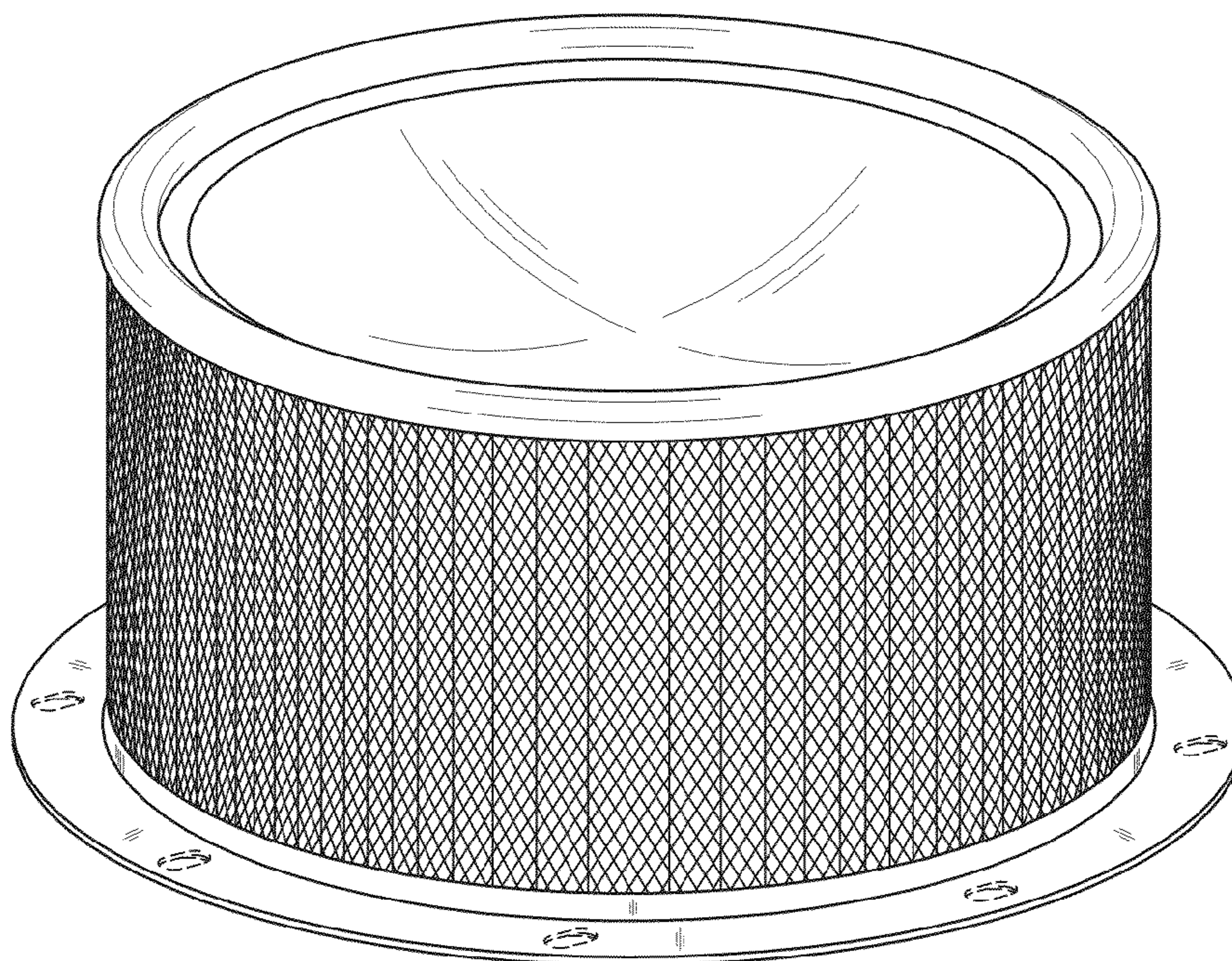
FIG. 1 is a perspective view of a screen, according to the
invention.
FIG. 2 is a front view of a screen of FIG. 1.
FIG. 3 is a left view of a screen of FIG. 1.
FIG. 4 is a rear view of a screen of FIG. 1.
FIG. 5 is a front view of a screen of FIG. 1.
FIG. 6 is a top view of a screen of FIG. 1; and,
FIG. 7 is a bottom view of a screen of FIG. 1.
The features shown in broken lines in FIGS. 1-7 depict envi-
ronmental subject matter only and form no part of the claimed
design.

(56) **References Cited**

U.S. PATENT DOCUMENTS

D360,929 S * 8/1995 Albertson D23/209
D389,963 S * 1/1998 Scanlon et al. D32/31
D402,735 S * 12/1998 Kott D23/209

1 Claim, 7 Drawing Sheets



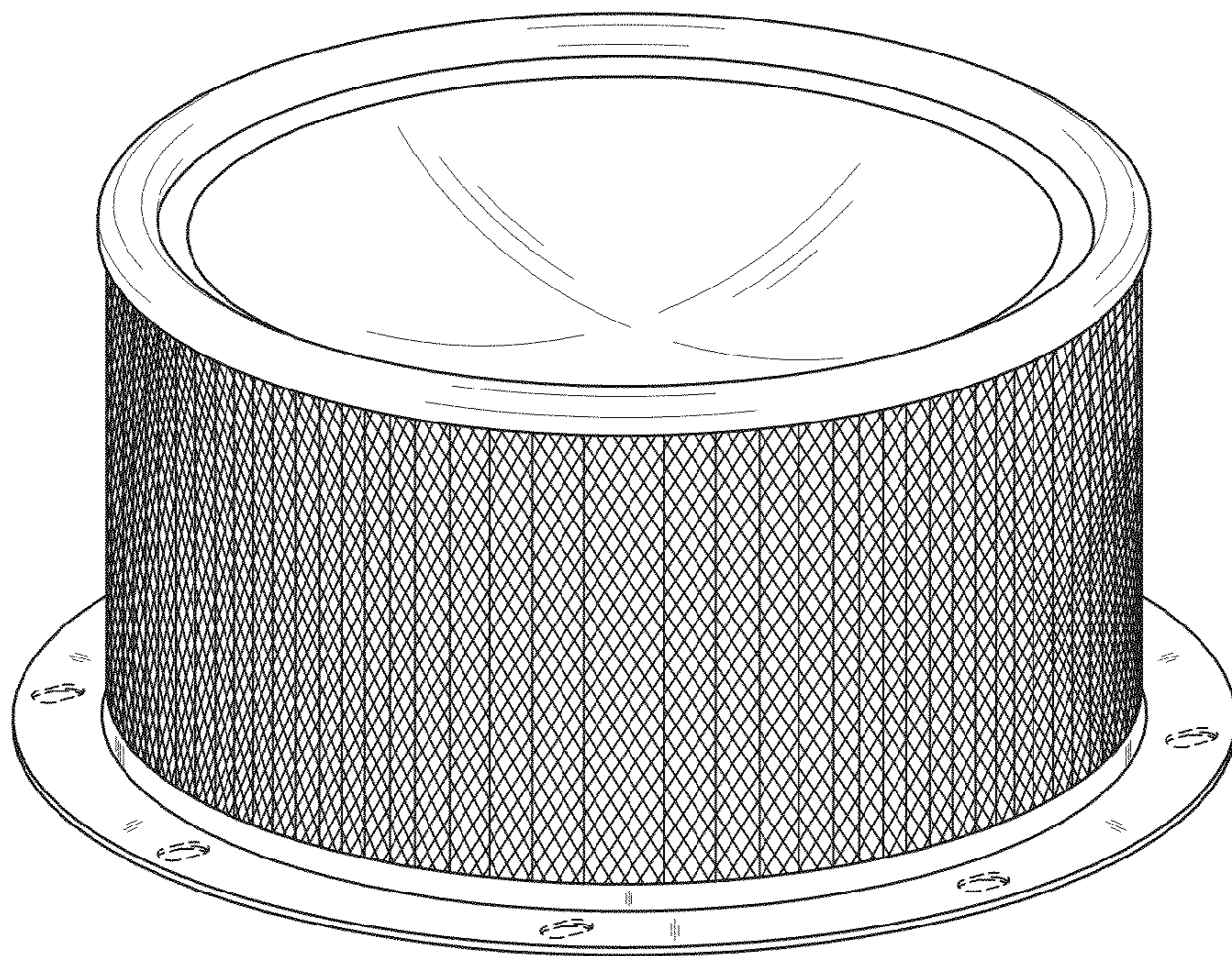


FIG. 1

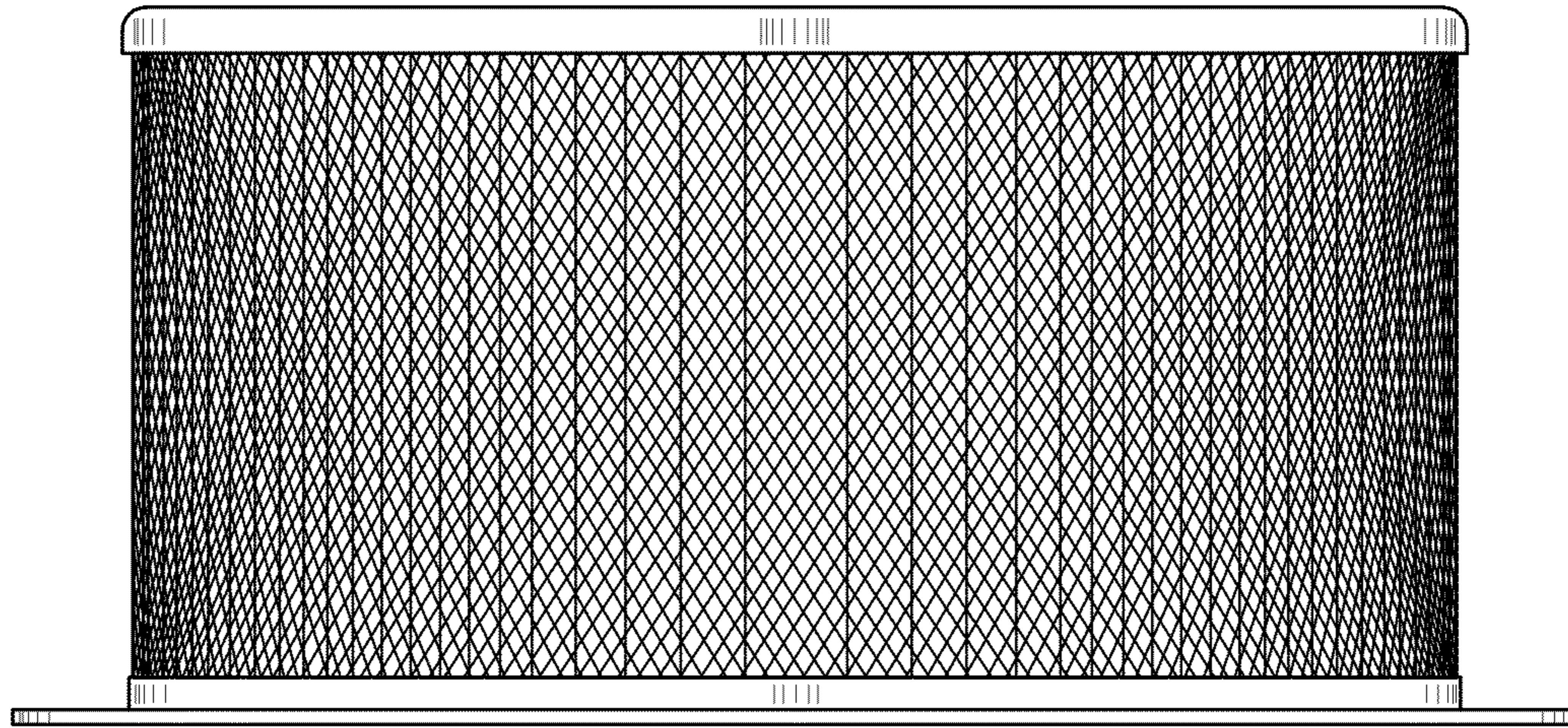


FIG. 2

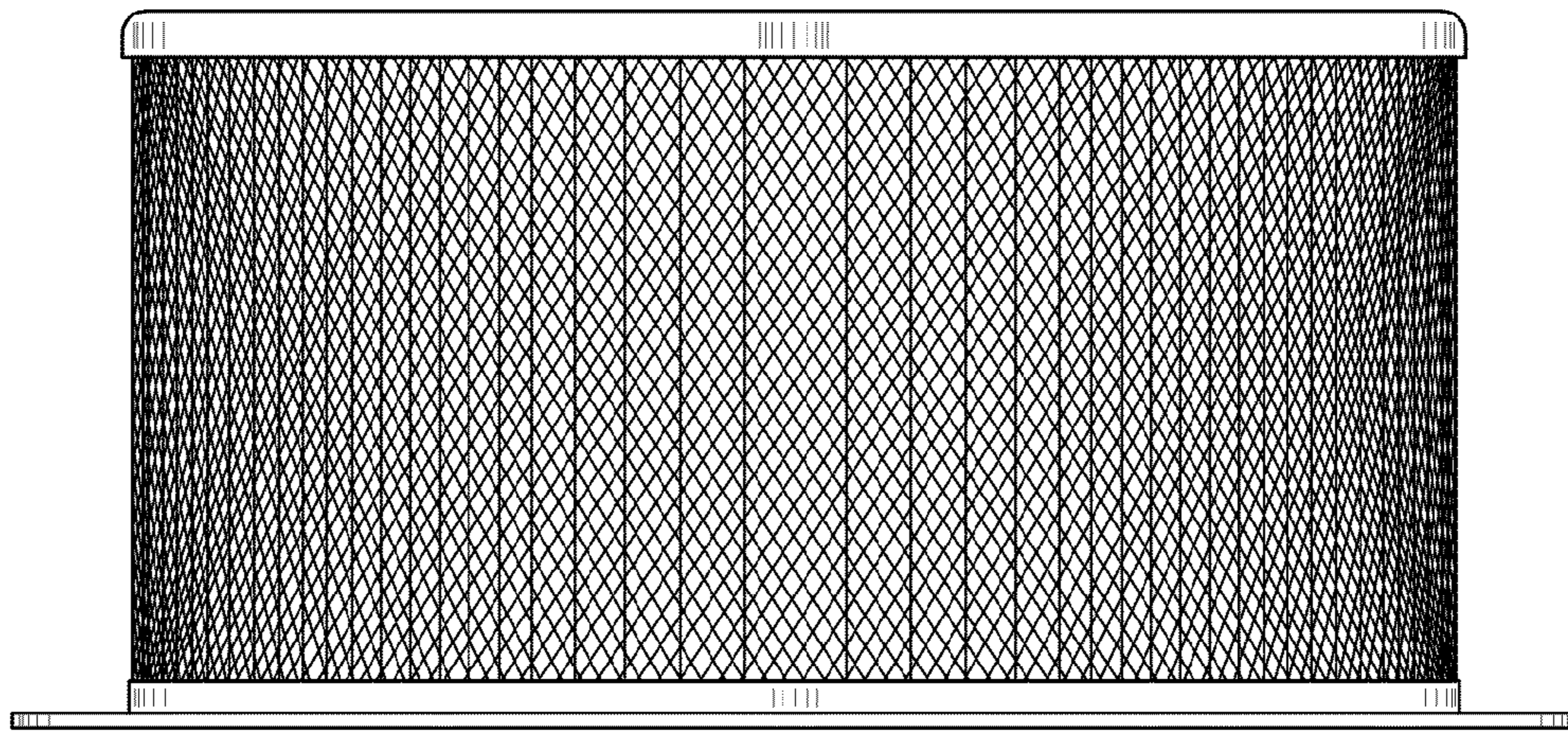


FIG. 3

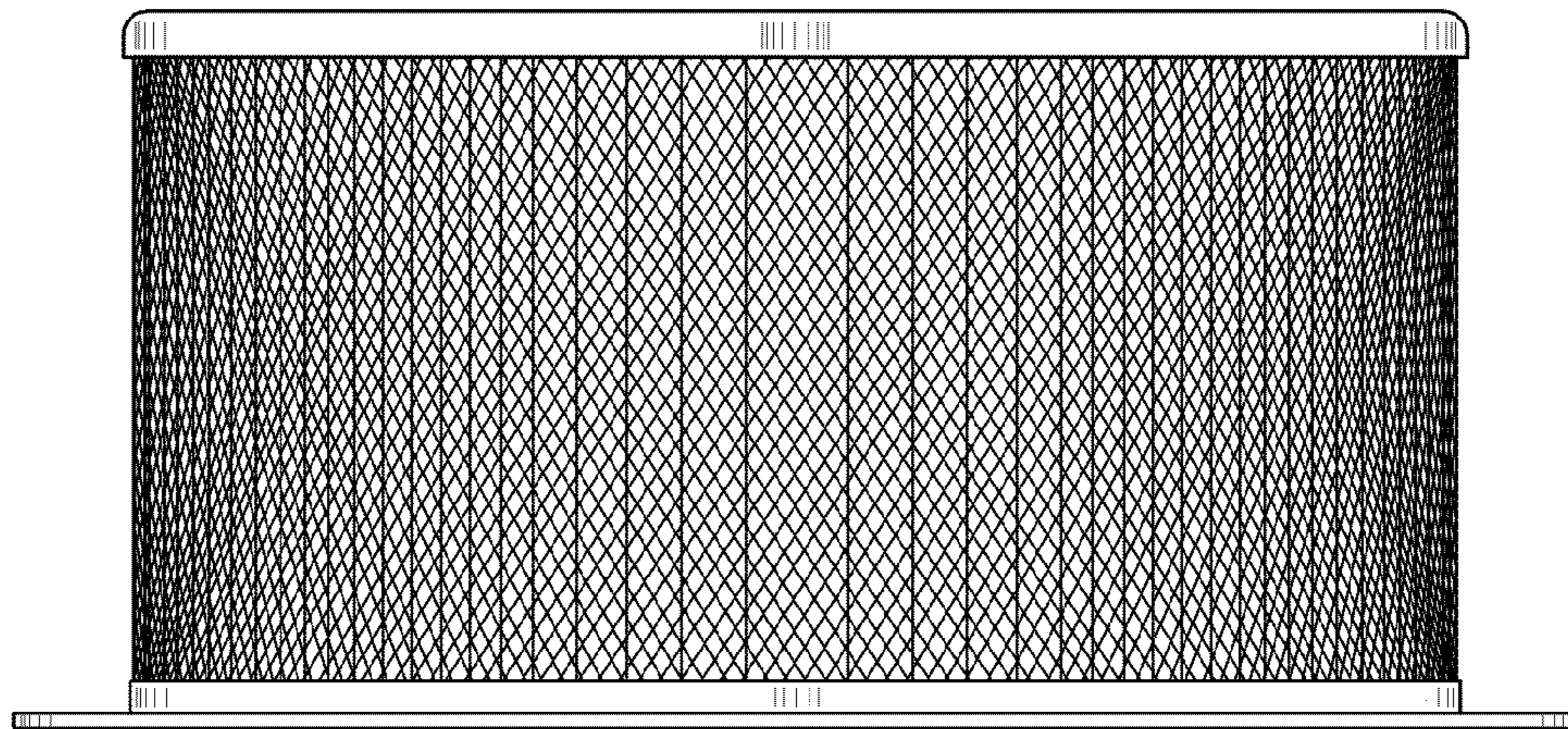


FIG. 4

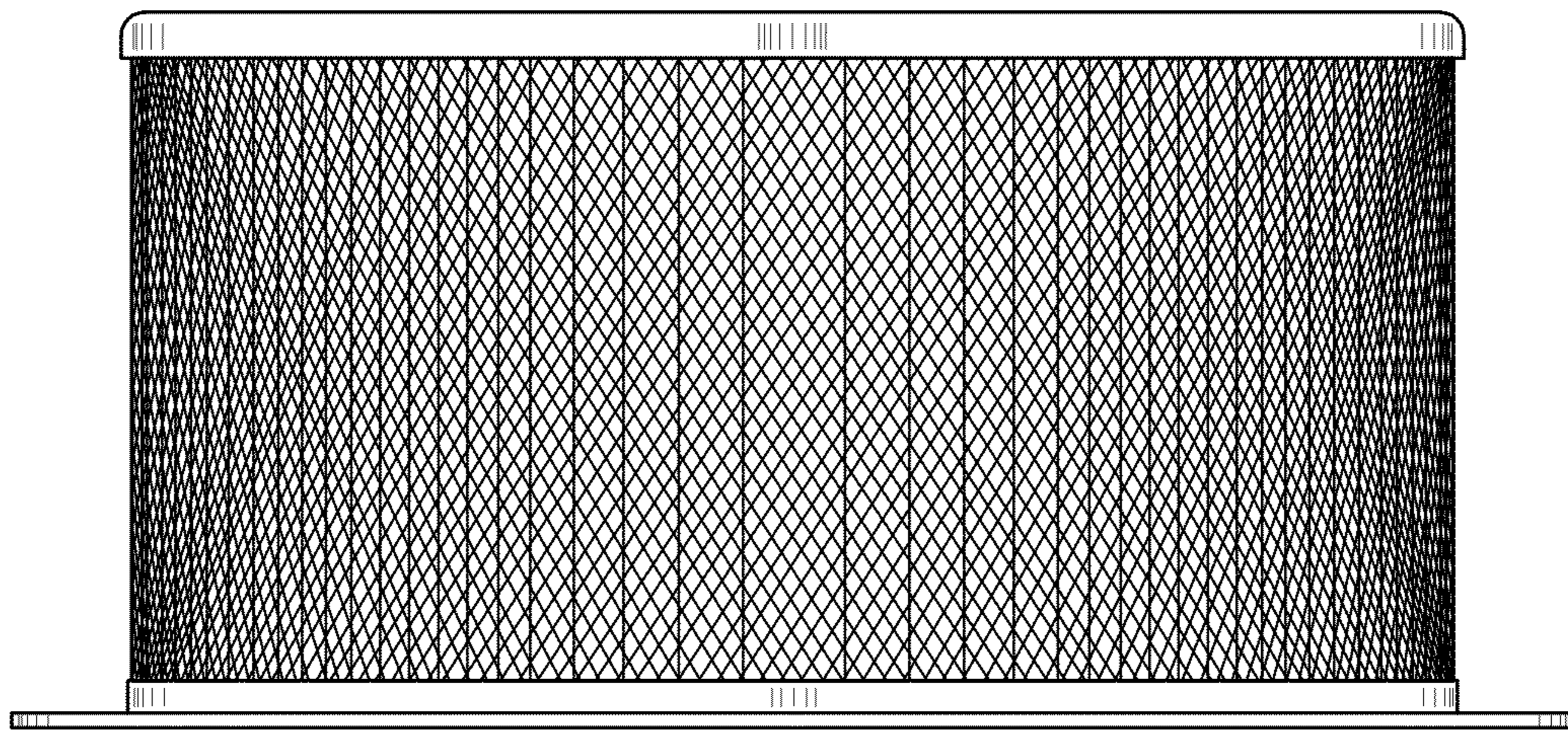


FIG. 5

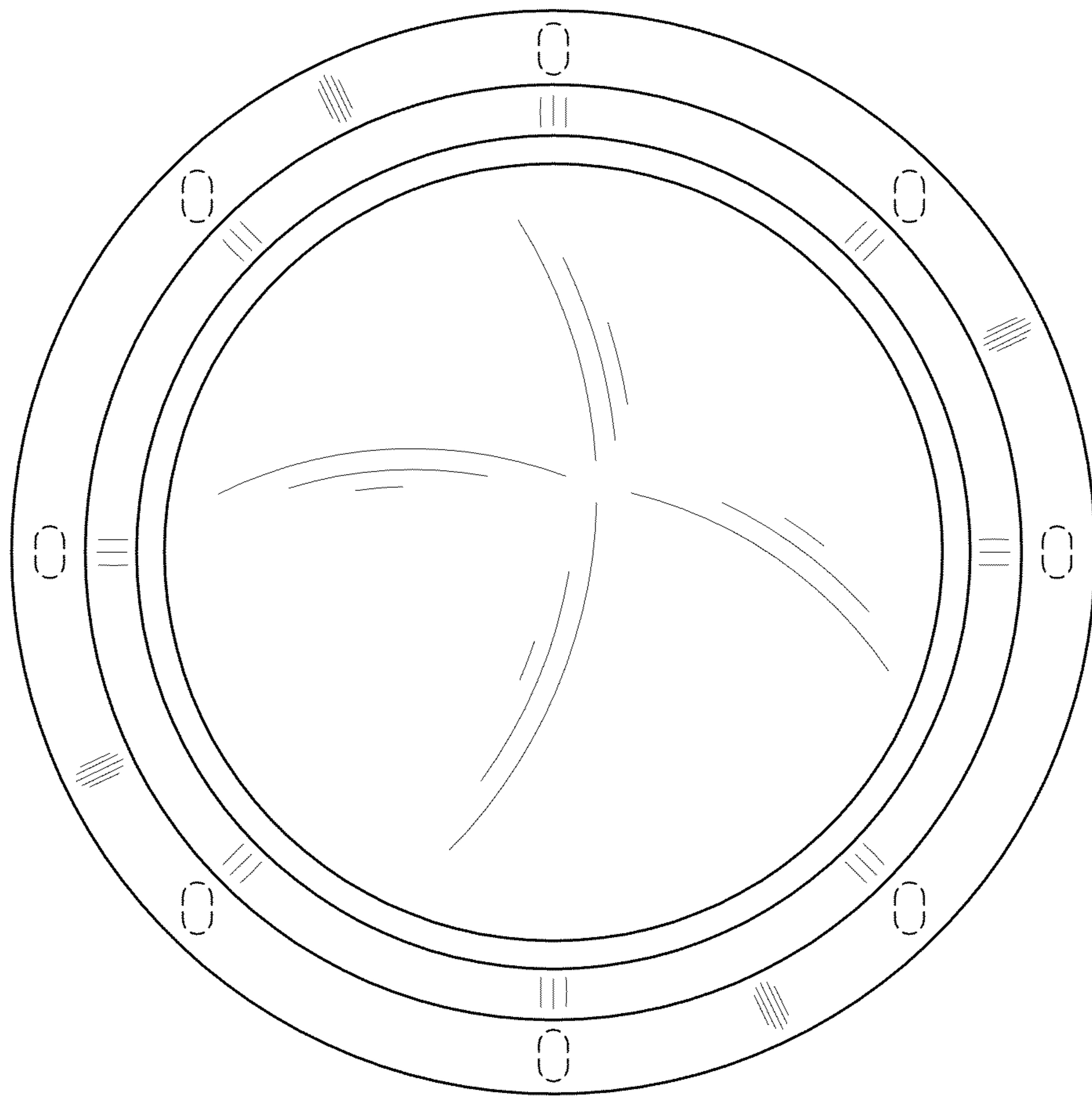


FIG. 6

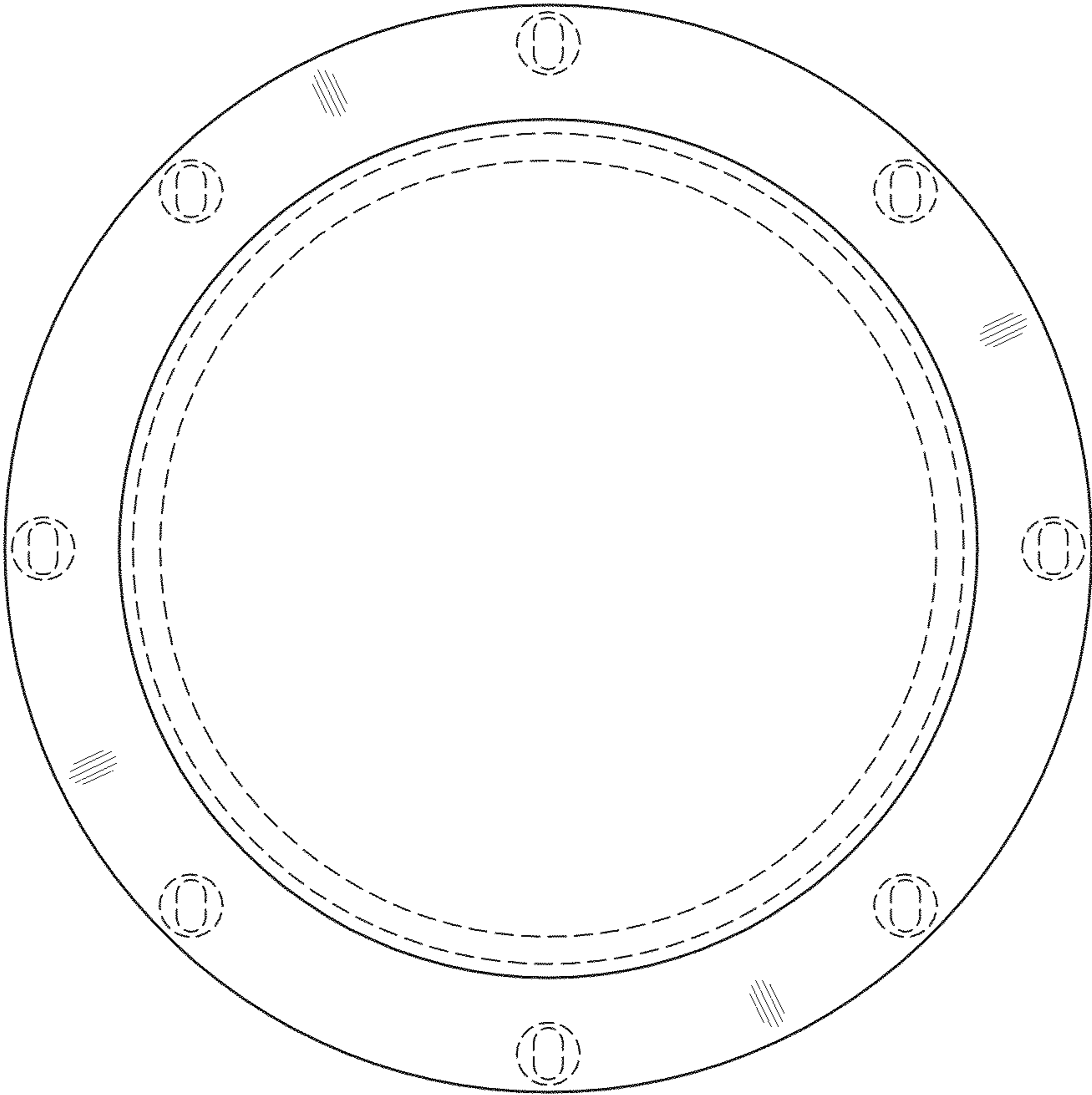


FIG. 7