



US00D694870S

(12) **United States Design Patent**
Watson et al.

(10) **Patent No.:** **US D694,870 S**

(45) **Date of Patent:** **** Dec. 3, 2013**

(54) **FIRE PIT FUEL ADAPTER**

(75) Inventors: **Stuart James Watson**, New Westminster (CA); **Mohamed Allibhai**, Brooklin (CA)

(73) Assignee: **J. & R. Home Products Ltd.**, Burnaby, British Columbia (CA)

(**) Term: **14 Years**

(21) Appl. No.: **29/391,553**

(22) Filed: **May 10, 2011**

(30) **Foreign Application Priority Data**

Mar. 17, 2011 (CA) 139739

(51) **LOC (9) Cl.** **23-03**

(52) **U.S. Cl.**
USPC **D23/341**

(58) **Field of Classification Search**
USPC D23/314, 317, 332, 338, 339, 340, 342, D23/343, 346, 341; 26/523; 126/527, 536, 126/544, 555, 25 R, 58, 8, 512, 92 R
See application file for complete search history.

(56) **References Cited**

U.S. PATENT DOCUMENTS

4,838,781 A 6/1989 Fischer
D574,070 S * 7/2008 Dabrowski D23/342
D574,071 S * 7/2008 Dabrowski D23/344
D653,738 S * 2/2012 Losa D23/329
2005/0178379 A1 8/2005 Weinberger

2005/0247302 A1 11/2005 Weinberger
2006/0110695 A1 5/2006 Weinberger
2006/0157049 A1* 7/2006 Weinberger 126/500
2012/0006316 A1* 1/2012 Shimek et al. 126/519
2012/0037141 A1* 2/2012 Jensen 126/93
2012/0037149 A1* 2/2012 Jensen 126/512
2012/0260905 A1* 10/2012 Jensen 126/512

* cited by examiner

Primary Examiner — T. Chase Nelson

Assistant Examiner — Ania Aman

(74) *Attorney, Agent, or Firm* — Bruce M. Green; Oyen Wiggs Green & Mutala LLP

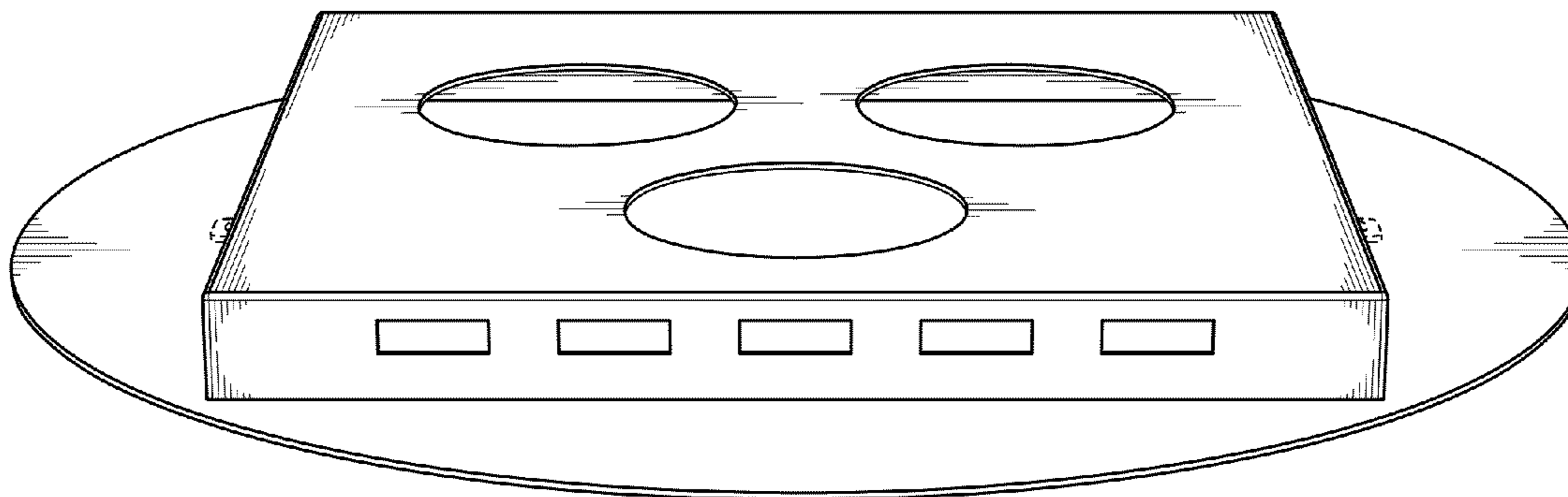
(57) **CLAIM**

The ornamental design for a fire pit fuel adapter, as shown and described.

DESCRIPTION

FIG. 1 is a top front perspective view of a fire pit fuel adapter showing our new design;
FIG. 2 is a rear view of the design shown in FIG. 1, the front view being identical to the rear view;
FIG. 3 is a top left side perspective view of the design shown in FIG. 1;
FIG. 4 is a right side view of the design shown in FIG. 1, the left side view being identical to the right side view;
FIG. 5 is a top plan view of the design shown in FIG. 1; and, FIG. 6 is a bottom plan view of the design shown in FIG. 1.
The broken line shown in the drawings are for the purpose of illustrating portions of the article that form no part of the claimed design.

1 Claim, 3 Drawing Sheets



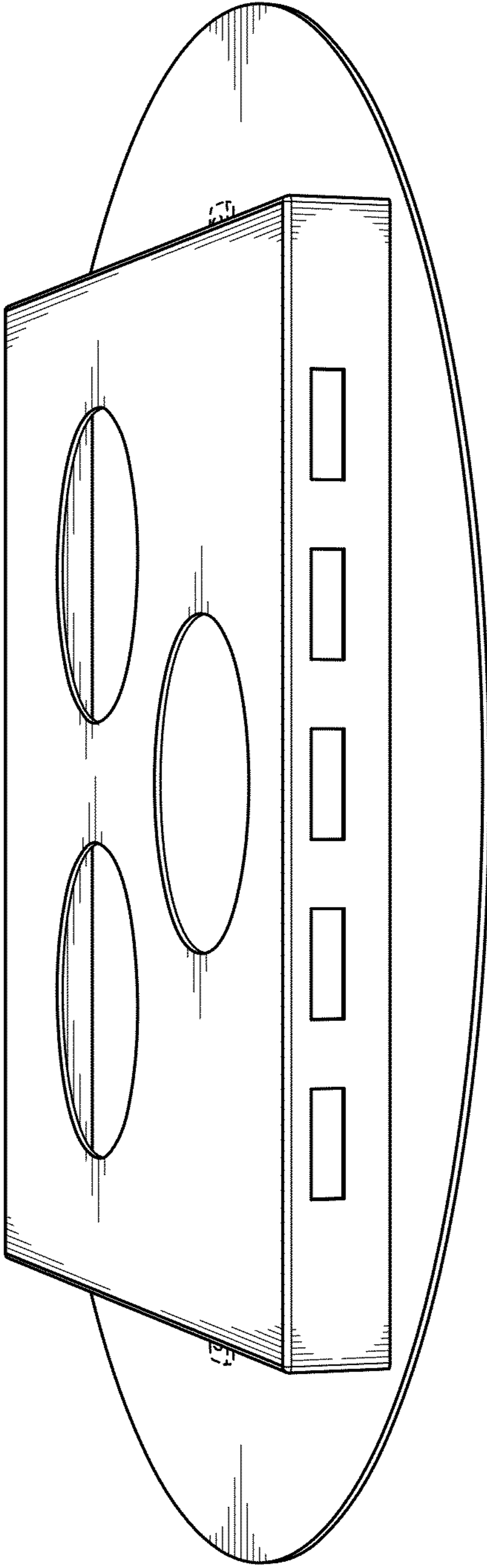


FIG. 1

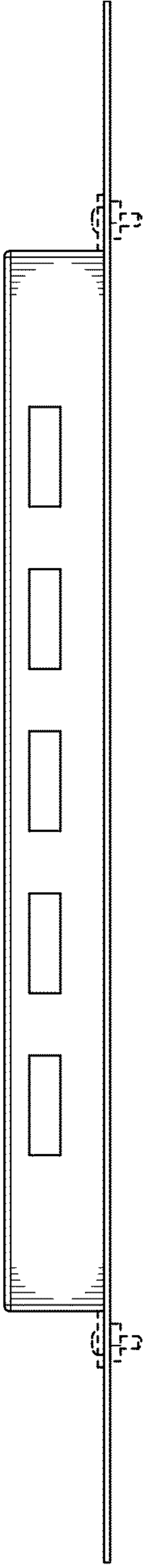


FIG. 2

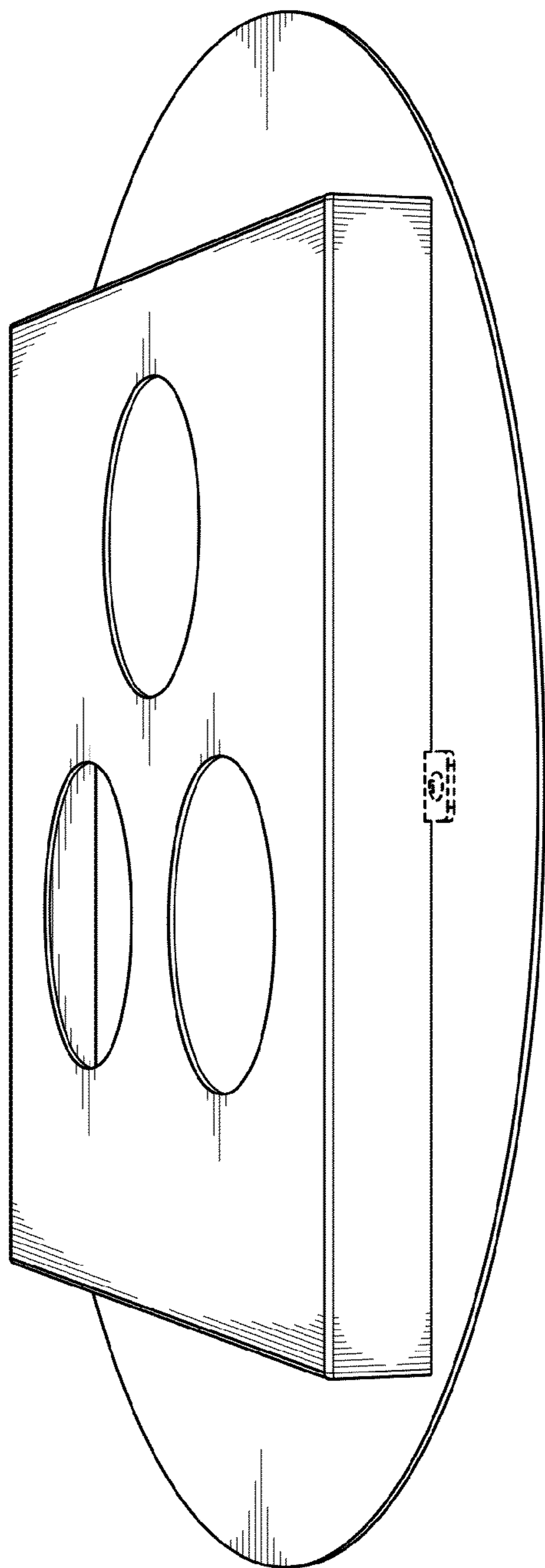


FIG. 3

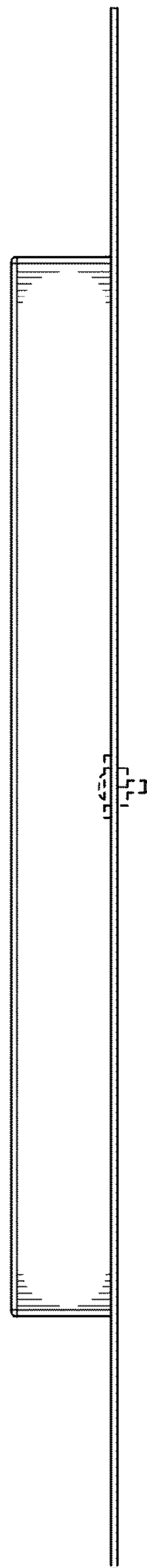


FIG. 4

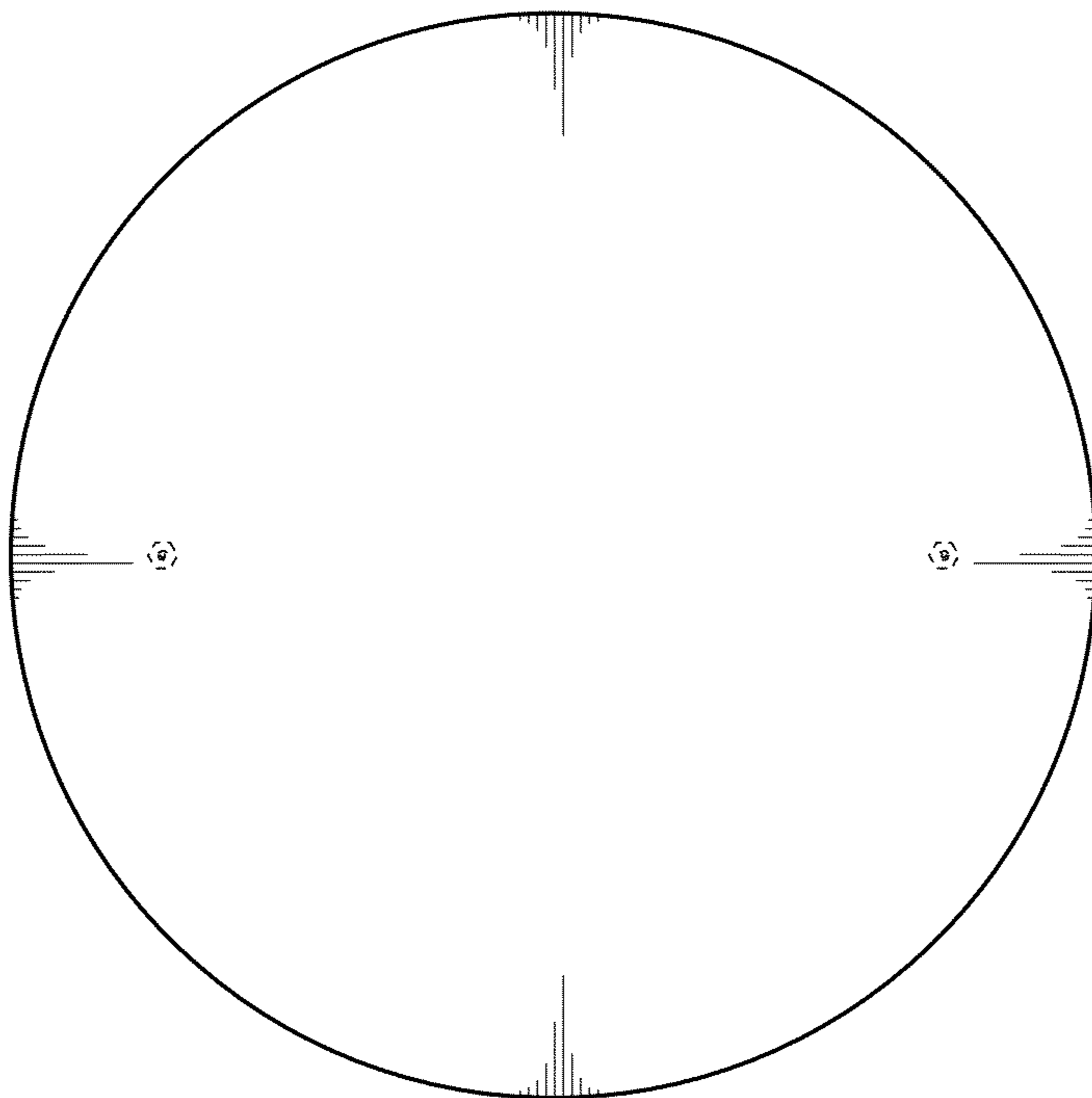


FIG. 5

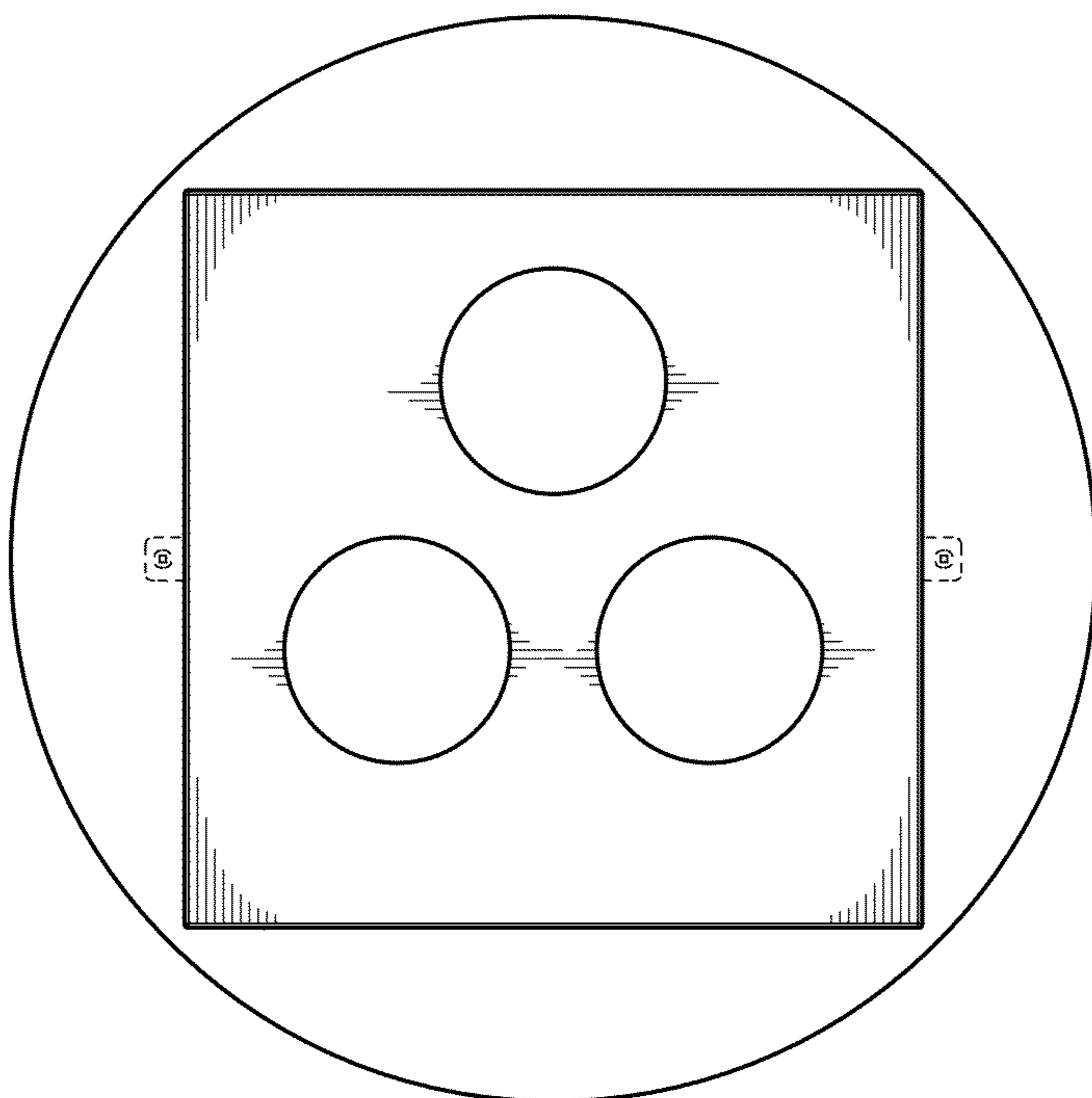


FIG. 6