



US00D694869S

(12) **United States Design Patent**
Ishiyama

(10) **Patent No.:** **US D694,869 S**
(45) **Date of Patent:** **** Dec. 3, 2013**

(54) **POUR-FLUSH LATRINE PAN**

(71) Applicant: **AS IP Holdco, LLC**, Piscataway, NJ (US)

(72) Inventor: **Daigo Ishiyama**, Summit, NJ (US)

(73) Assignee: **AS IP Holdco, LLC**, Piscataway, NJ (US)

(**) Term: **14 Years**

(21) Appl. No.: **29/446,009**

(22) Filed: **Feb. 19, 2013**

(51) **LOC (9) Cl.** **23-02**

(52) **U.S. Cl.**
USPC **D23/309**

(58) **Field of Classification Search**
USPC D23/295, 301, 309, 300, 299, 296, 303;
4/300, 420, 315, 450

See application file for complete search history.

(56) **References Cited**

U.S. PATENT DOCUMENTS

522,010	A *	6/1894	Greene	4/420
D35,853	S *	4/1902	Wells	D23/295
2,957,183	A *	10/1960	Nagel et al.	D23/299
3,139,626	A *	7/1964	Blankenship	D23/299
D258,607	S *	3/1981	Wilson	D23/295
5,123,126	A *	6/1992	Vincent	4/480

* cited by examiner

Primary Examiner — Robert Delehanty

(74) *Attorney, Agent, or Firm* — Flaster/Greenberg P.C.

(57) **CLAIM**

The ornamental design for a pour-flush latrine pan, as shown and described.

DESCRIPTION

FIG. 1 shows a perspective view of a pour-flush latrine pan of the inventive design in a closed position;

FIG. 2 shows a perspective view of a pour-flush latrine pan of the inventive design in an open position;

FIG. 3 shows a top plan view of the pour-flush latrine of the inventive design in a closed position;

FIG. 4 shows a top plan view of the pour-flush latrine of the inventive design in an open position;

FIG. 5 shows a bottom plan view of the pour-flush latrine of the inventive design in a closed position;

FIG. 6 shows bottom plan view of the pour-flush latrine of the inventive design in an open position;

FIG. 7 shows a side view of the pour-flush latrine of the inventive design in a closed position;

FIG. 8 shows a side view of the pour-flush latrine of the inventive design in an open position;

FIG. 9 shows a front view of the pour-flush latrine of the inventive design in a closed position;

FIG. 10 shows a front view of the pour-flush latrine of the inventive design in an open position;

FIG. 11 shows back view of the pour-flush latrine of the inventive design in a closed position;

FIG. 12 shows back view of the pour-flush latrine of the inventive design in an open position;

FIG. 13 shows a cross sectional view of the pour-flush latrine pan of FIG. 5 in a closed position taken along lines Z-Z;

FIG. 14 shows a top perspective view of the flapper of the latrine pan of the inventive design shown separately for clarity of illustration;

FIG. 15 shows a top plan view of the flapper of the latrine pan of the inventive design shown separately for clarity of illustration; and,

FIG. 16 shows a cross section view of the flapper of FIG. 15, where the section is taken at A-A.

The broken line showing a portion of the latrine pan is included for the purpose of illustration and forms no part of the claimed design.

1 Claim, 14 Drawing Sheets

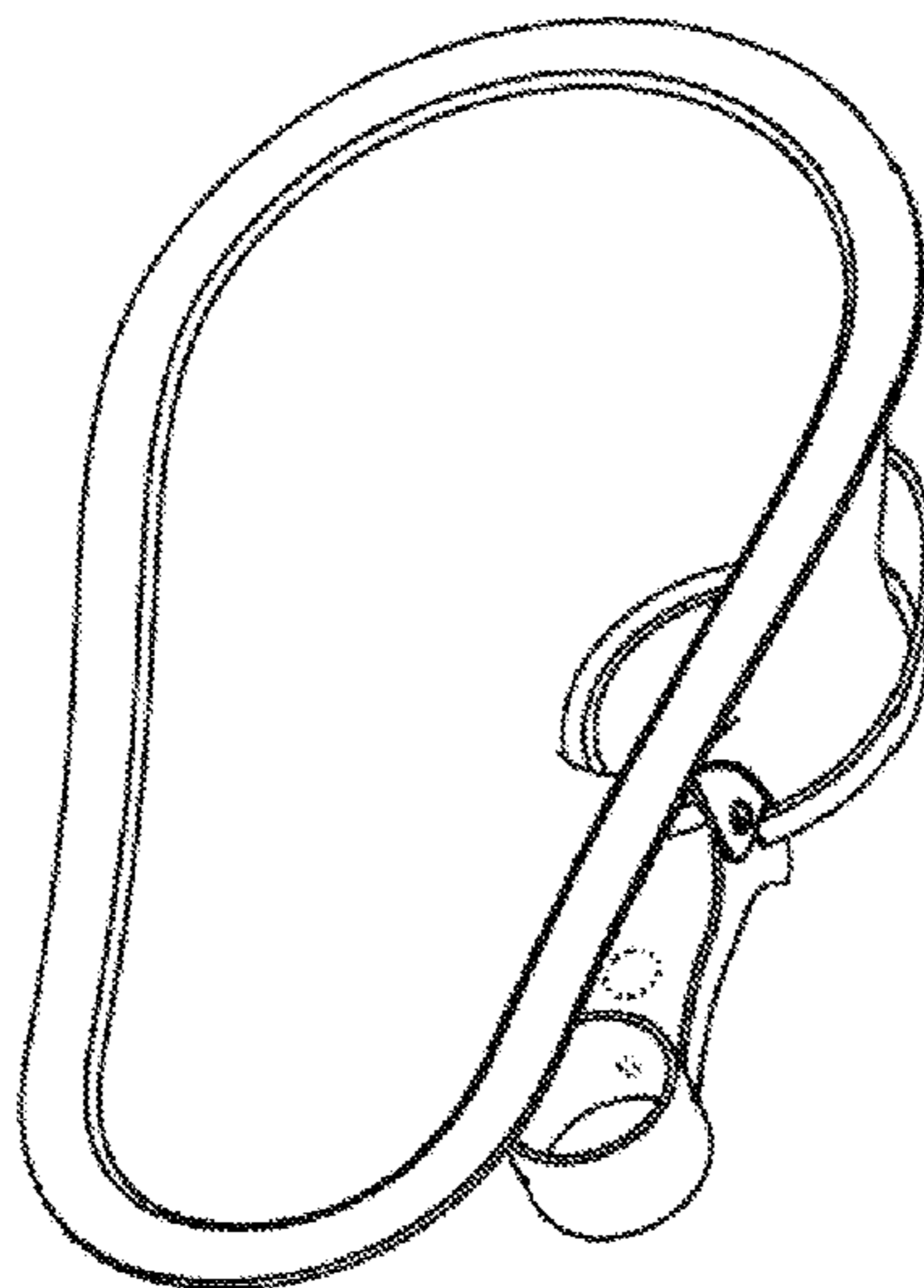


FIG. 1

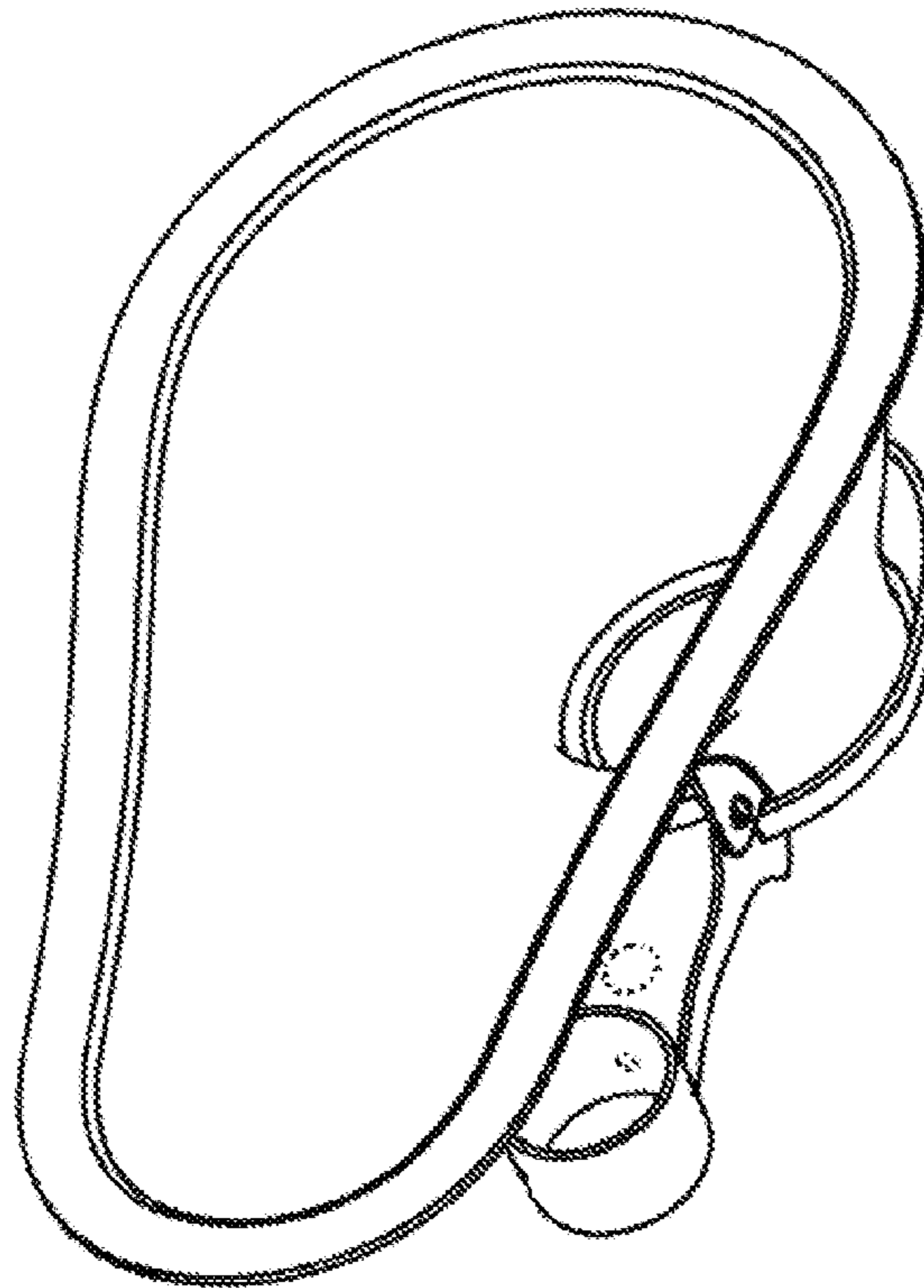


FIG. 2

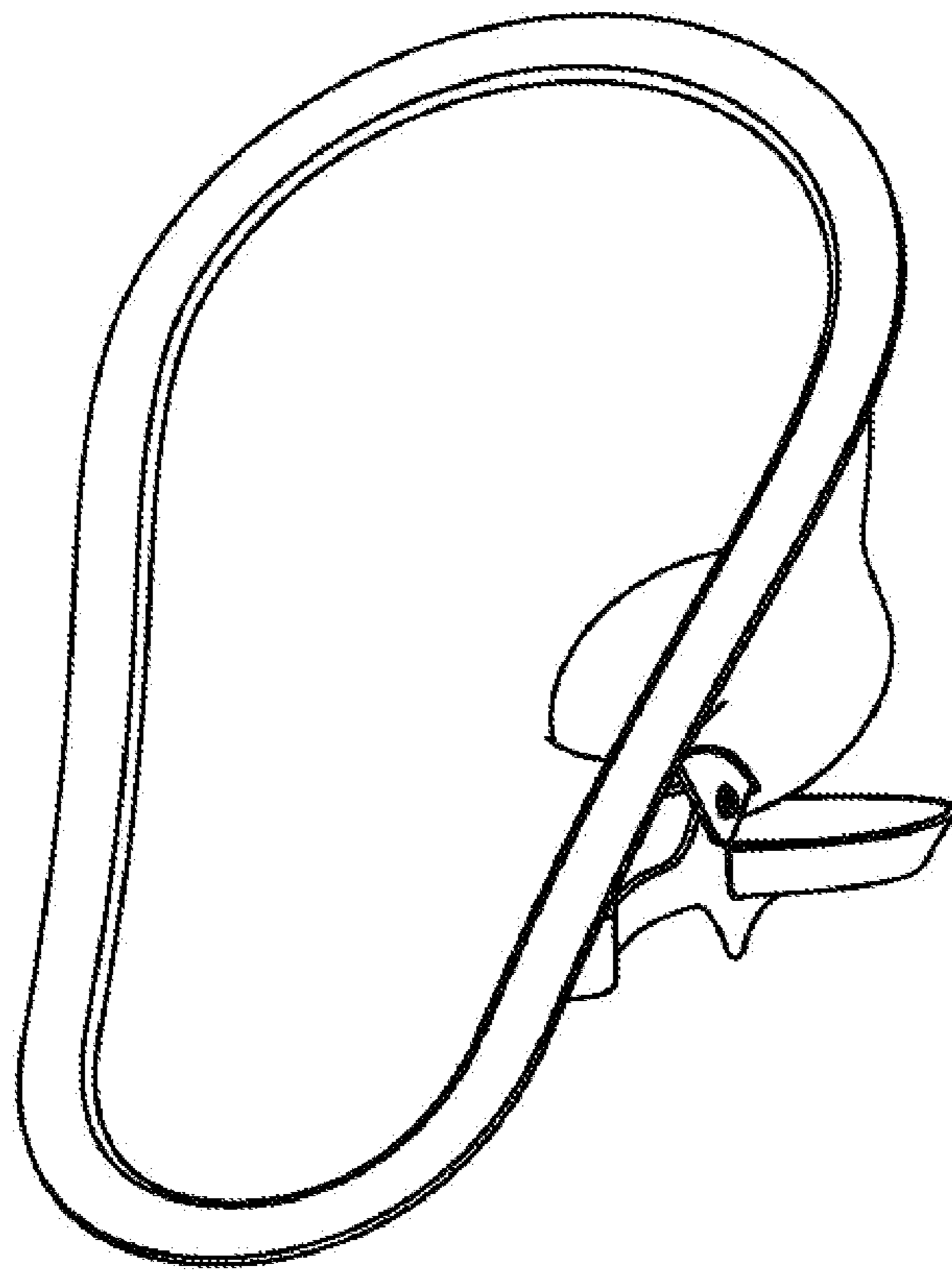


FIG. 3

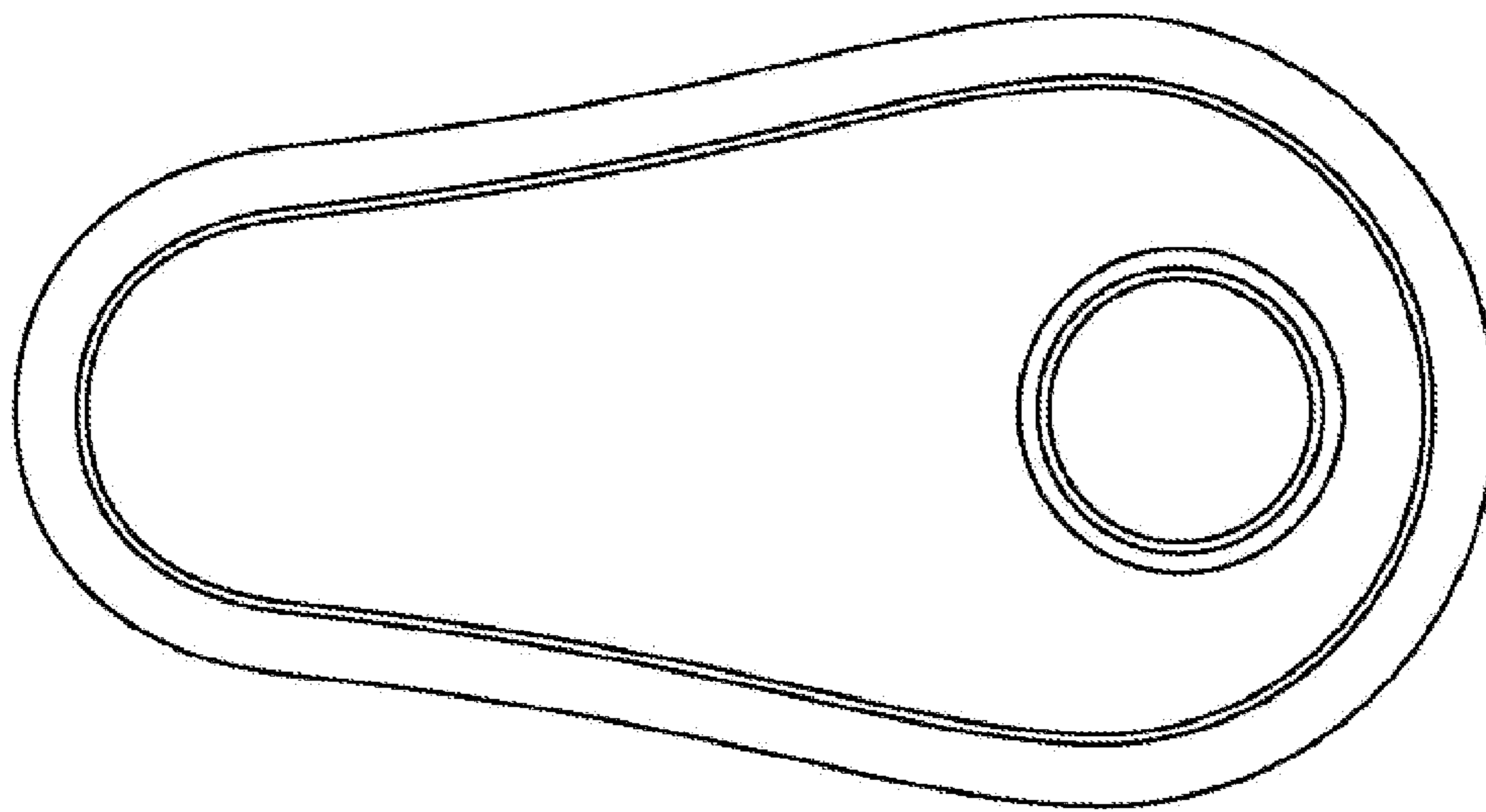


FIG. 4

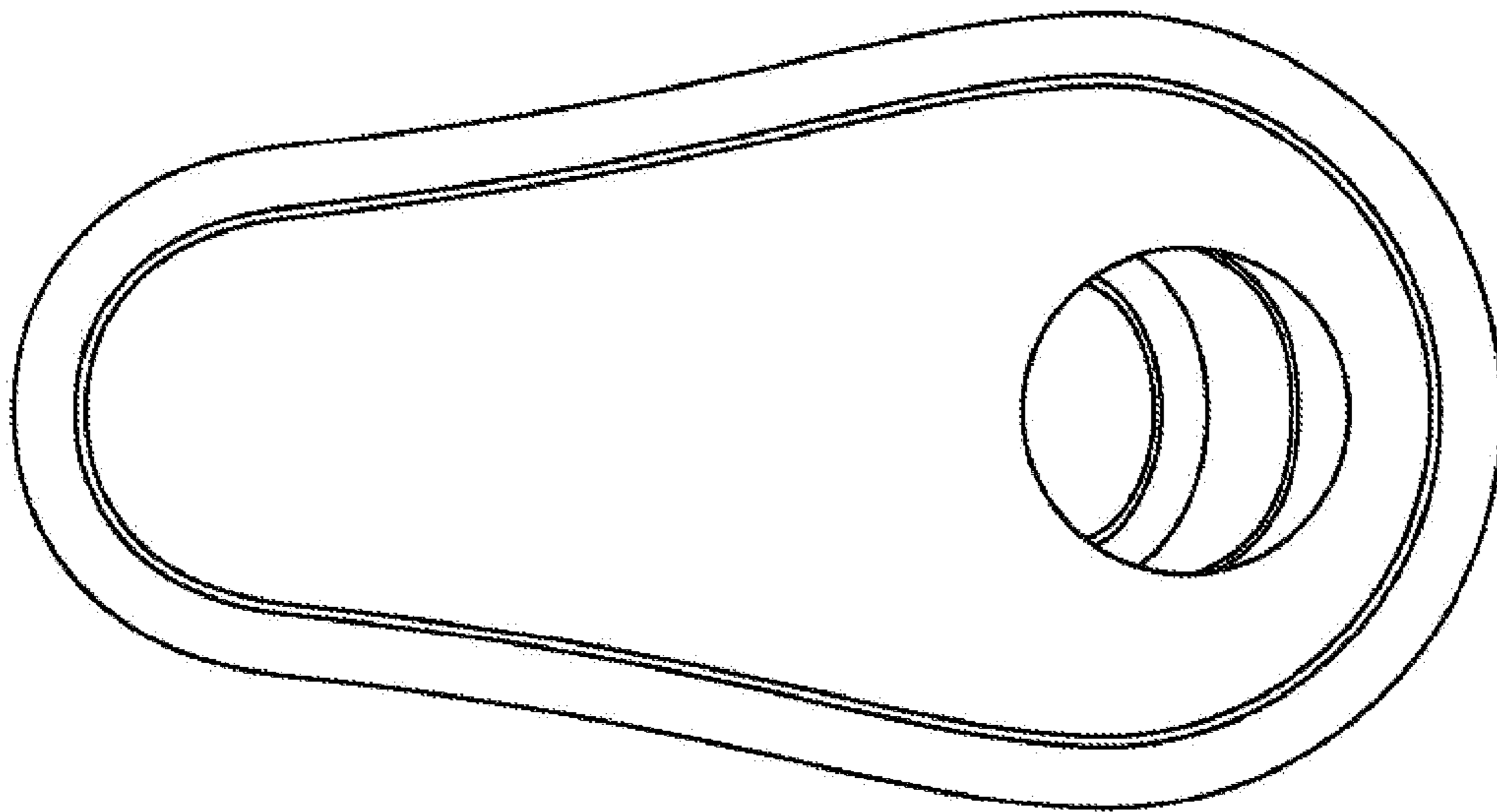


FIG. 5

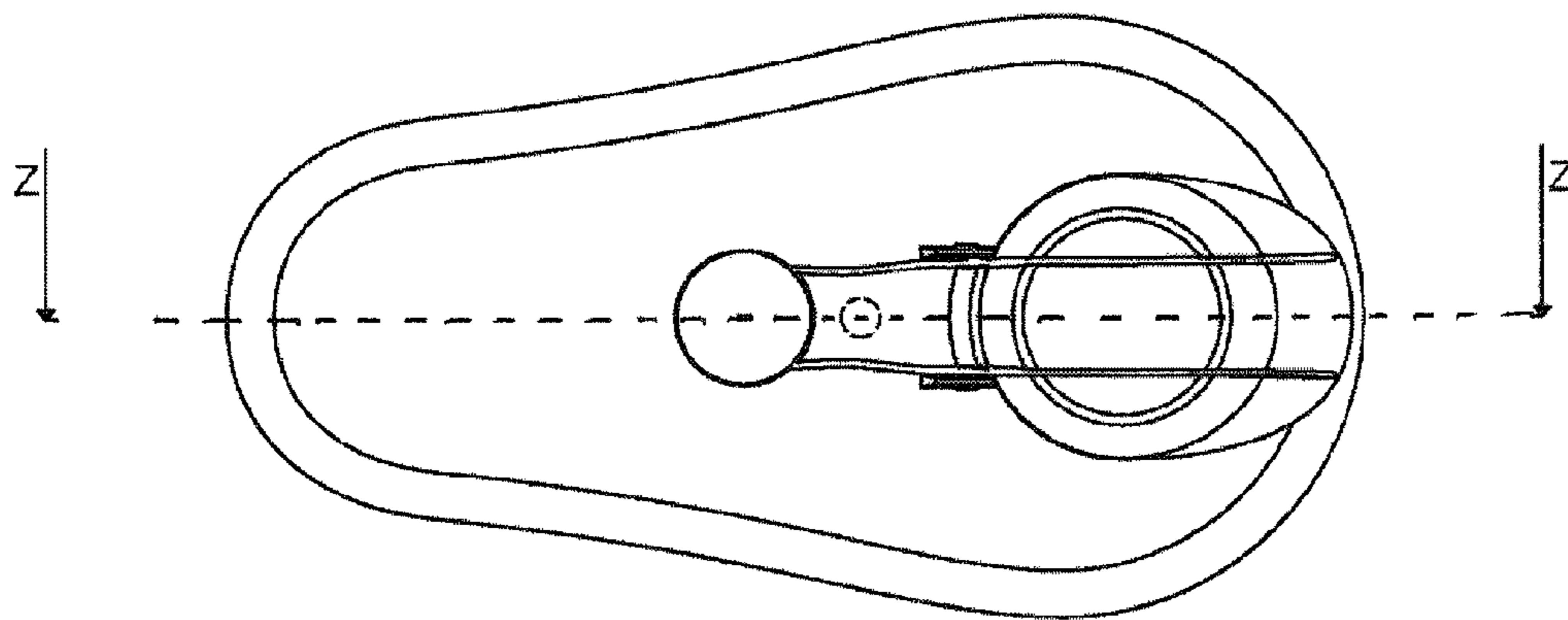


FIG. 6

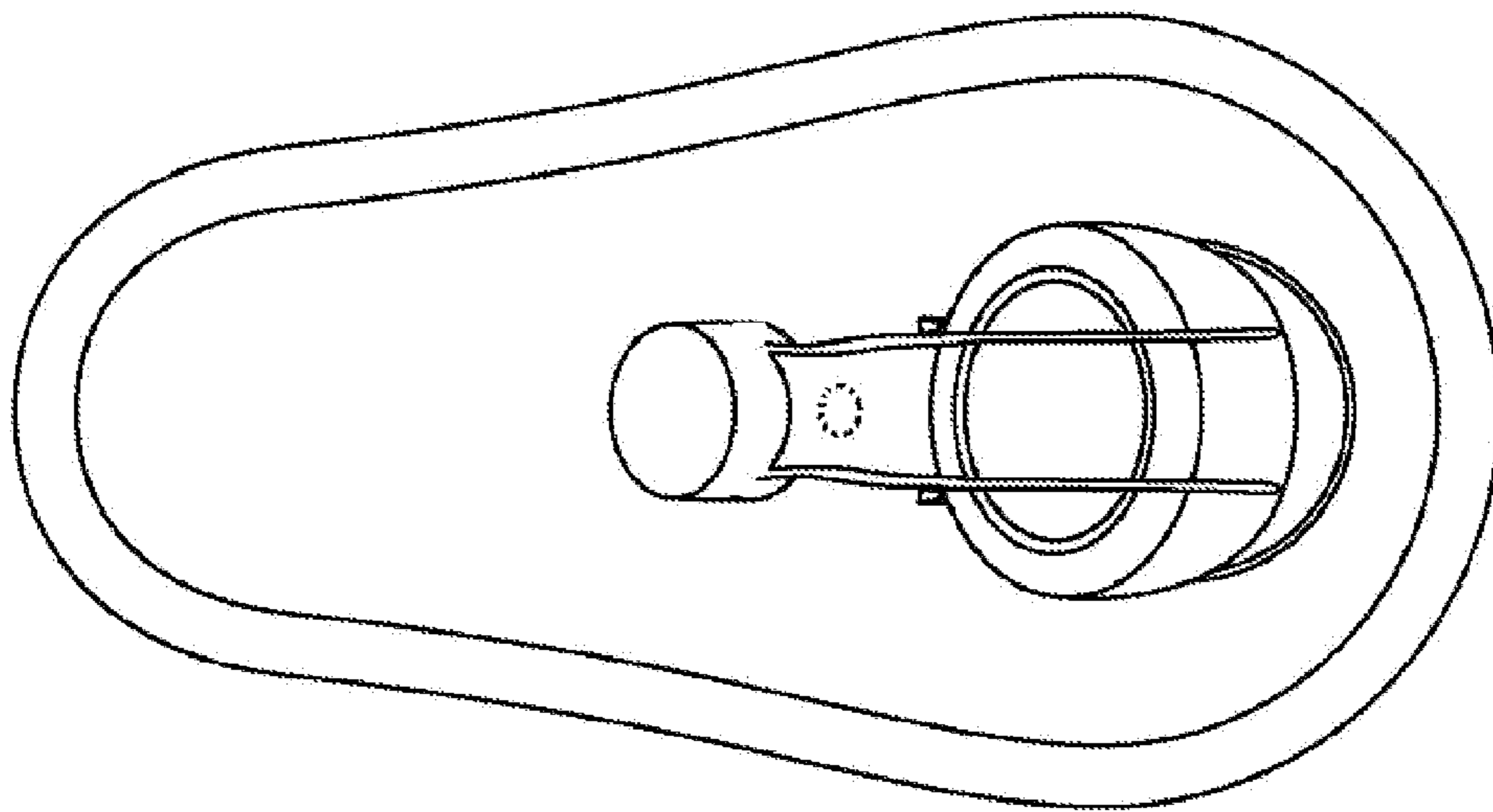


FIG. 7

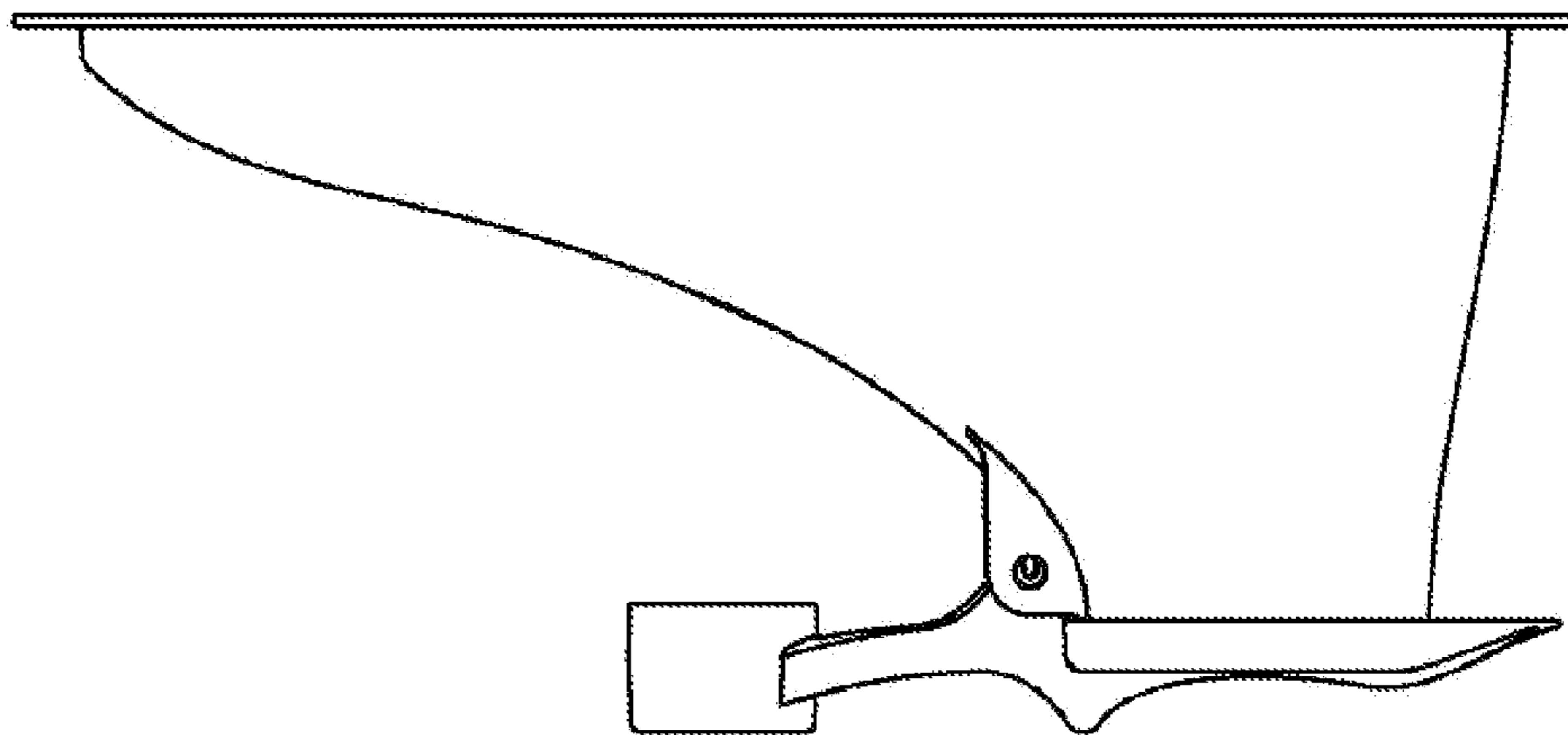


FIG. 8

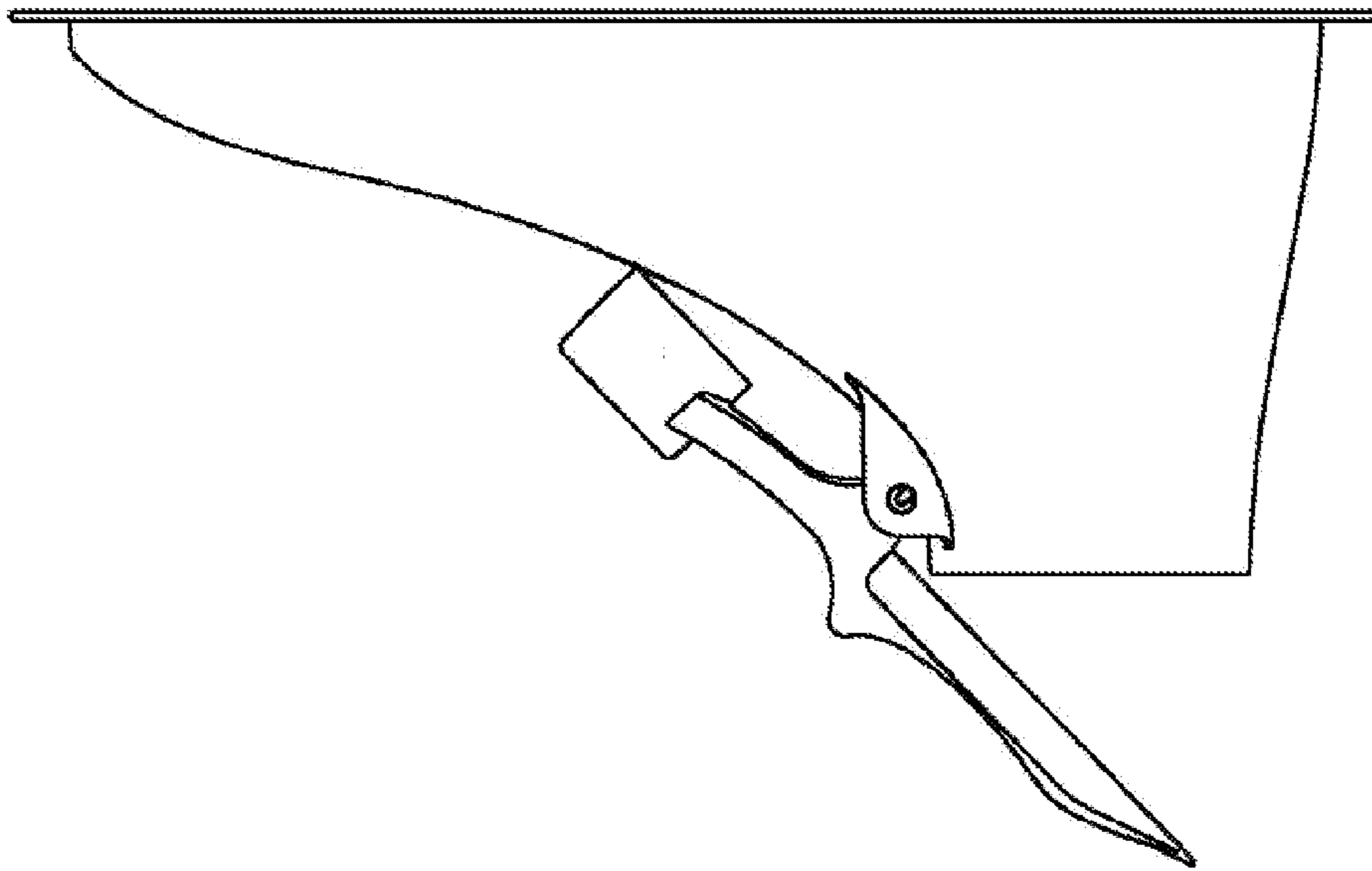


FIG. 9

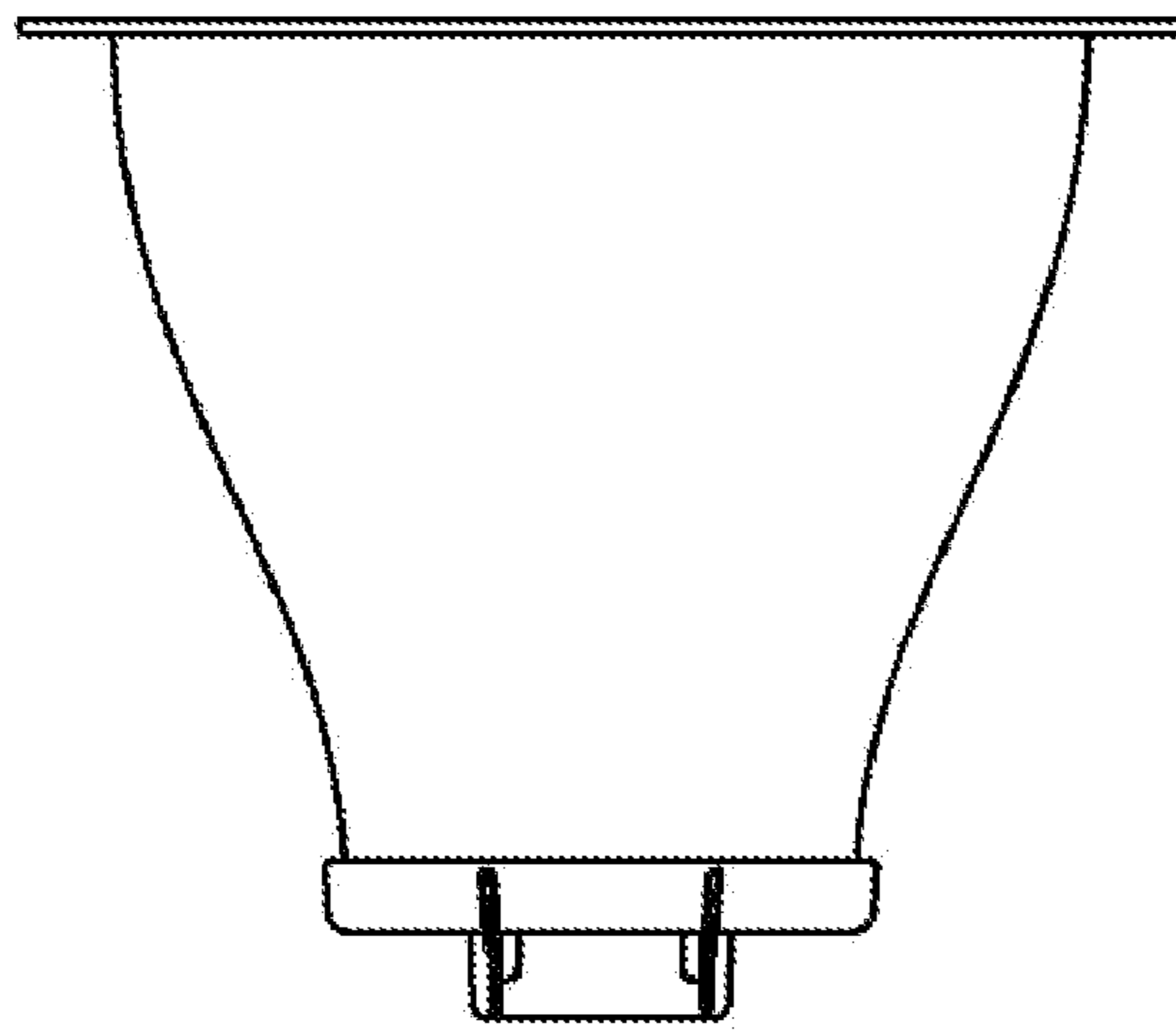


FIG. 10

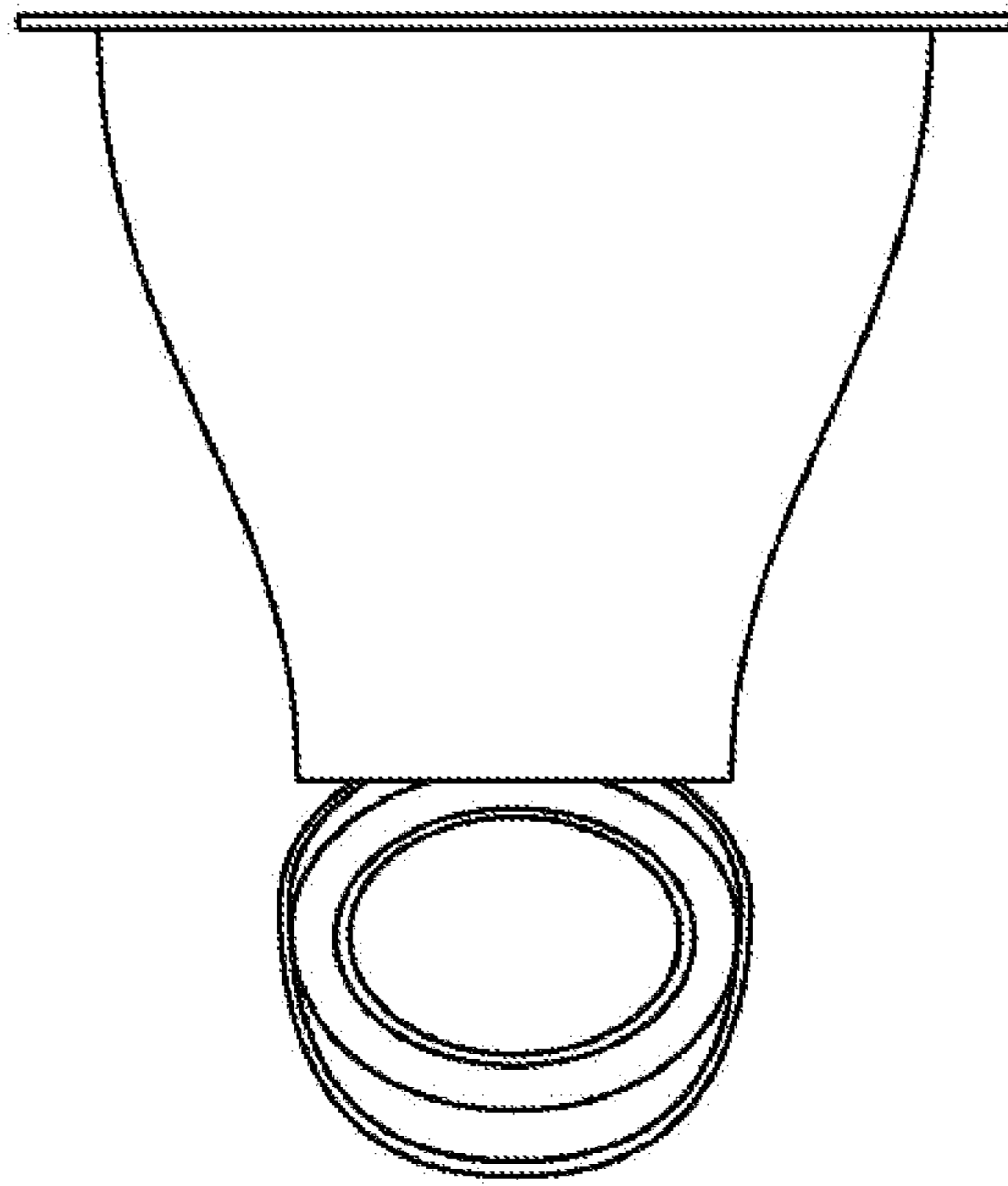


FIG. 11

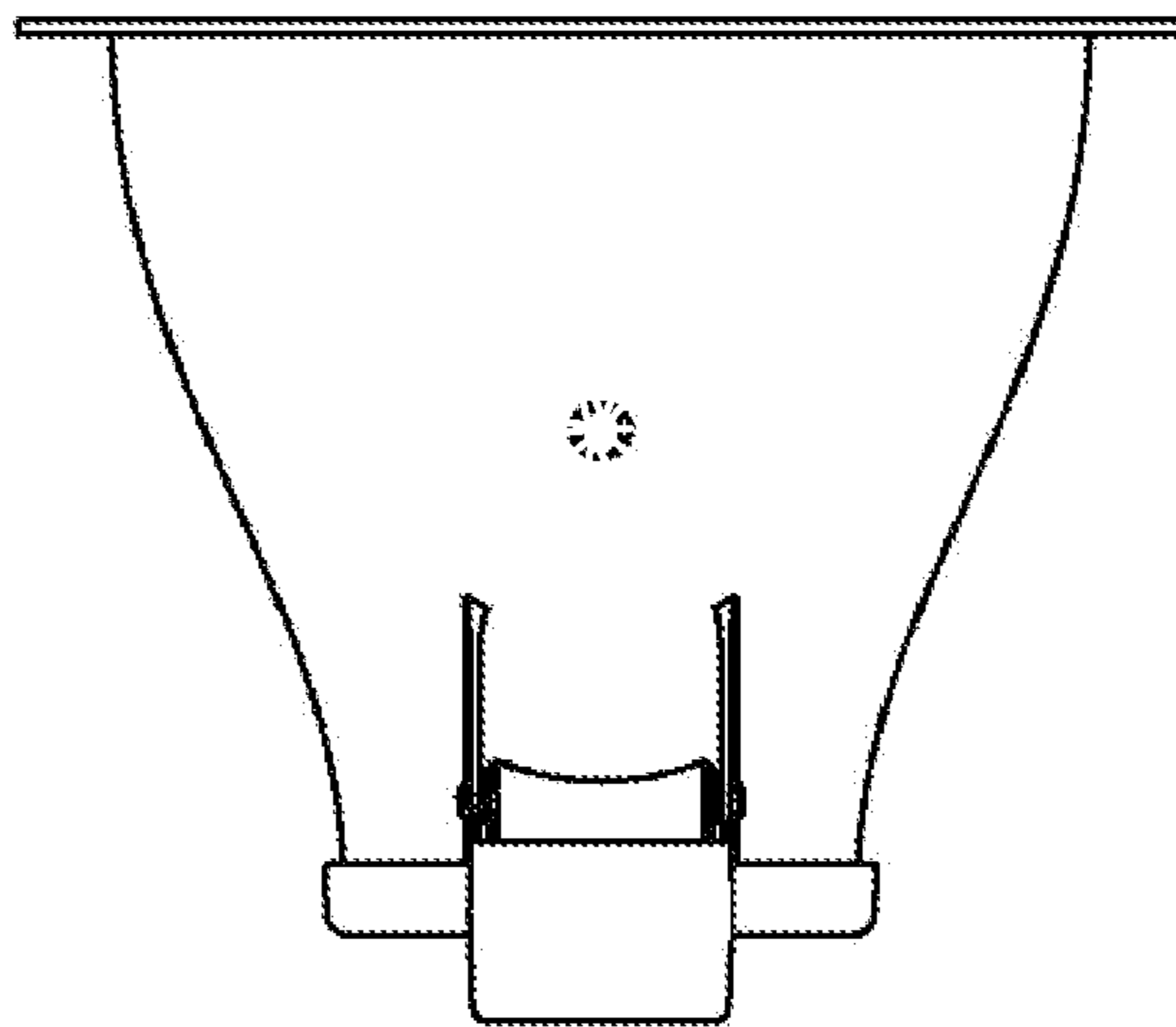
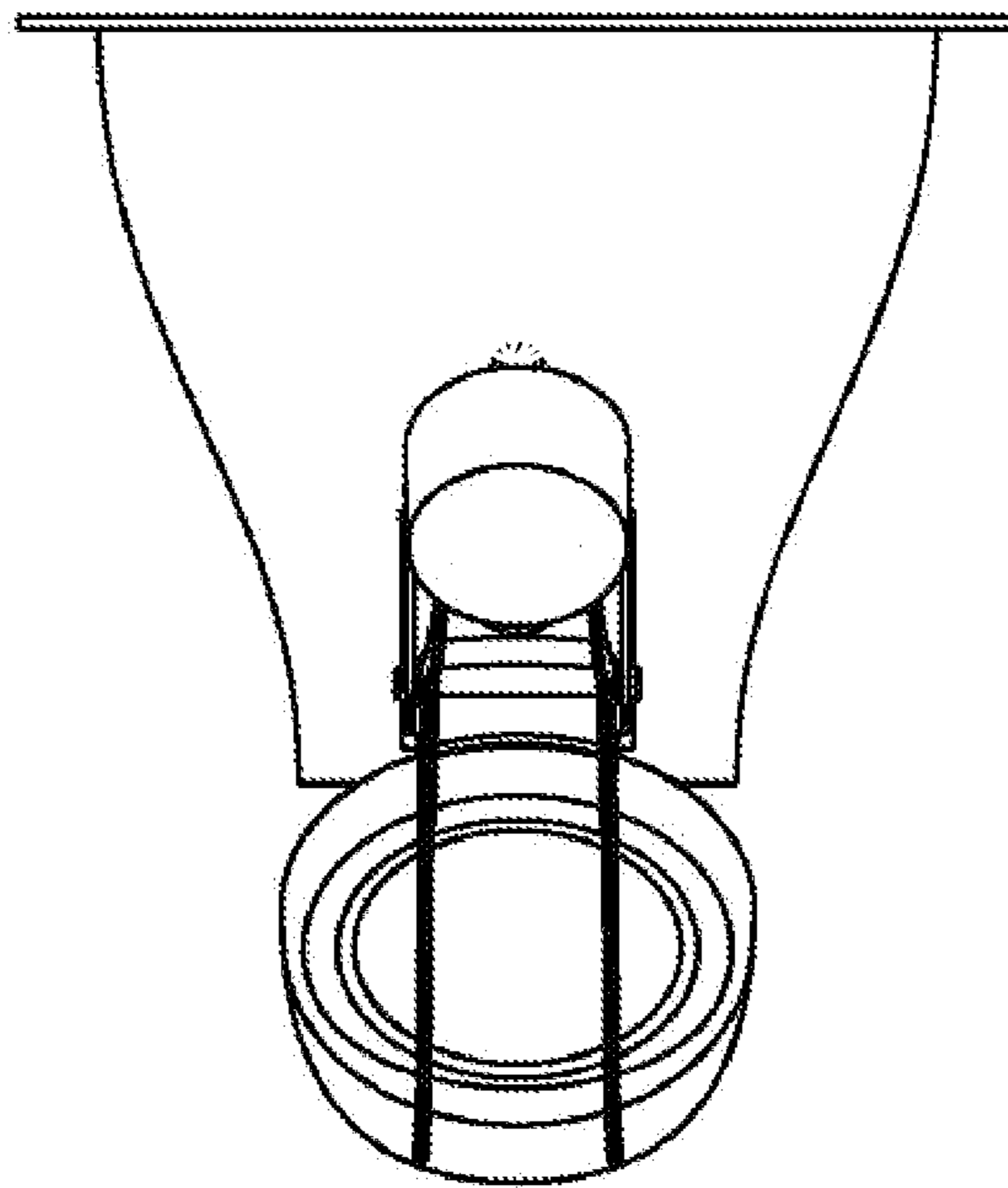


FIG. 12



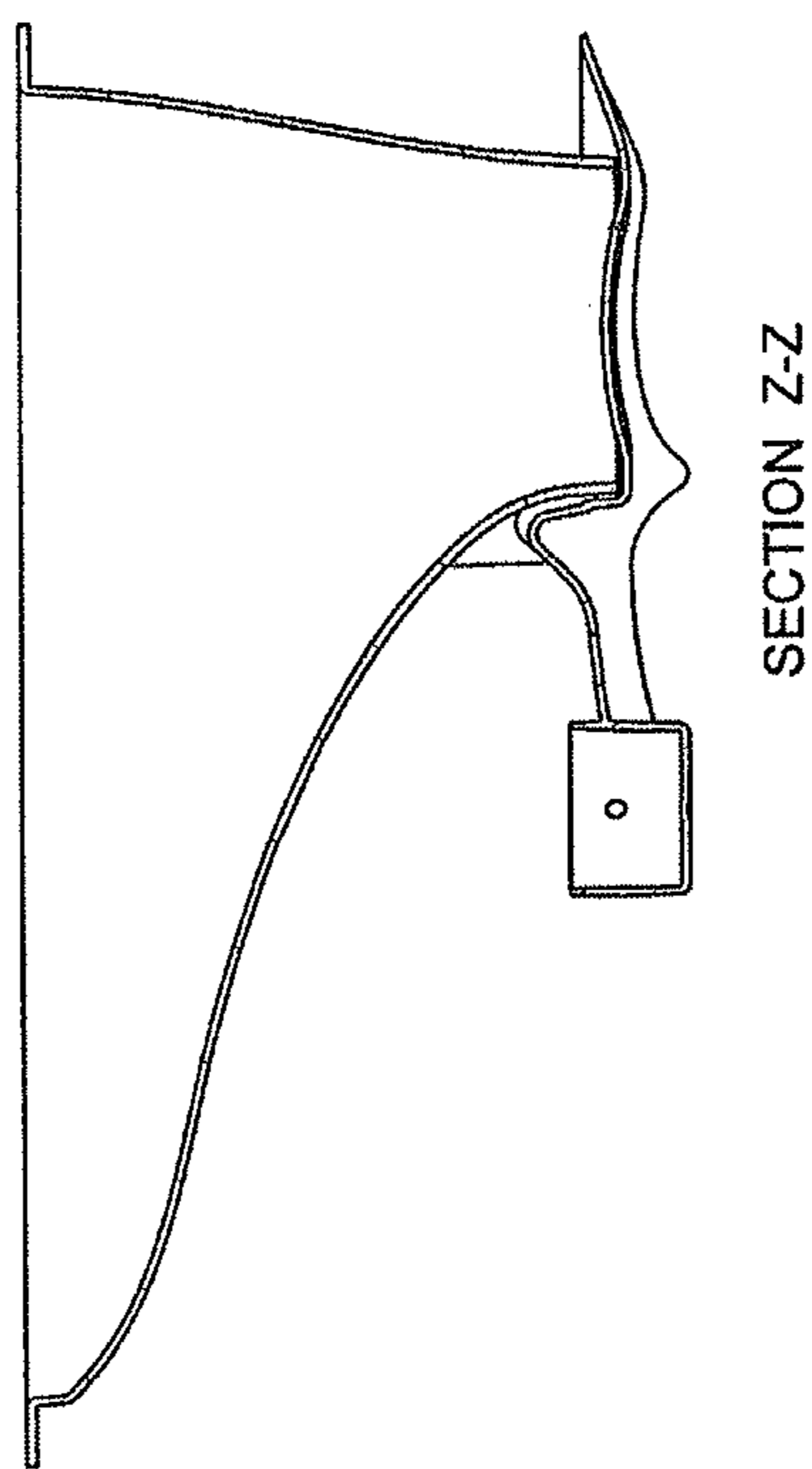


FIG. 13

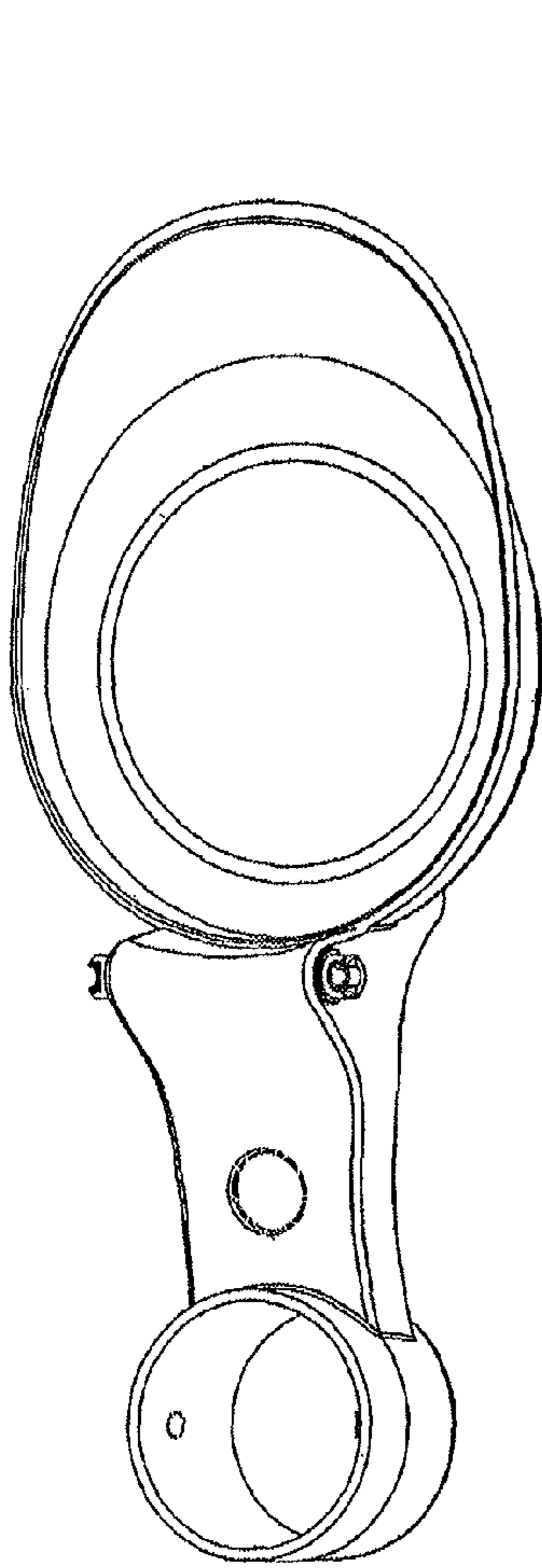


FIG. 14

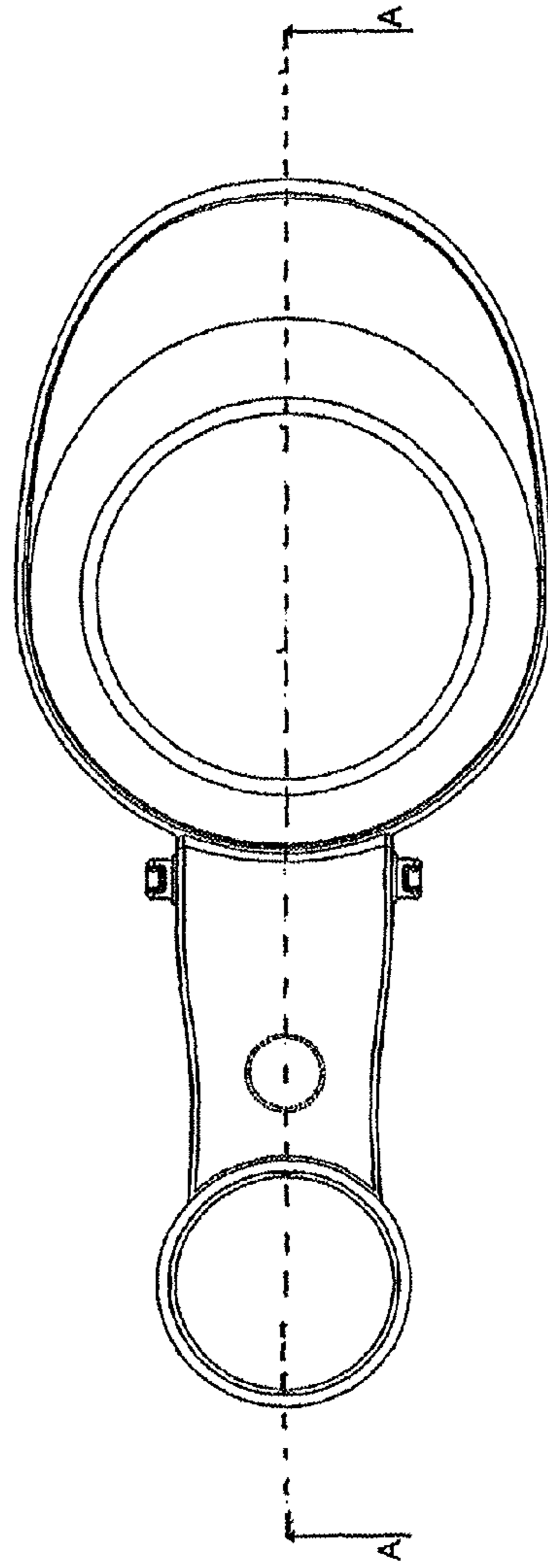


FIG. 15

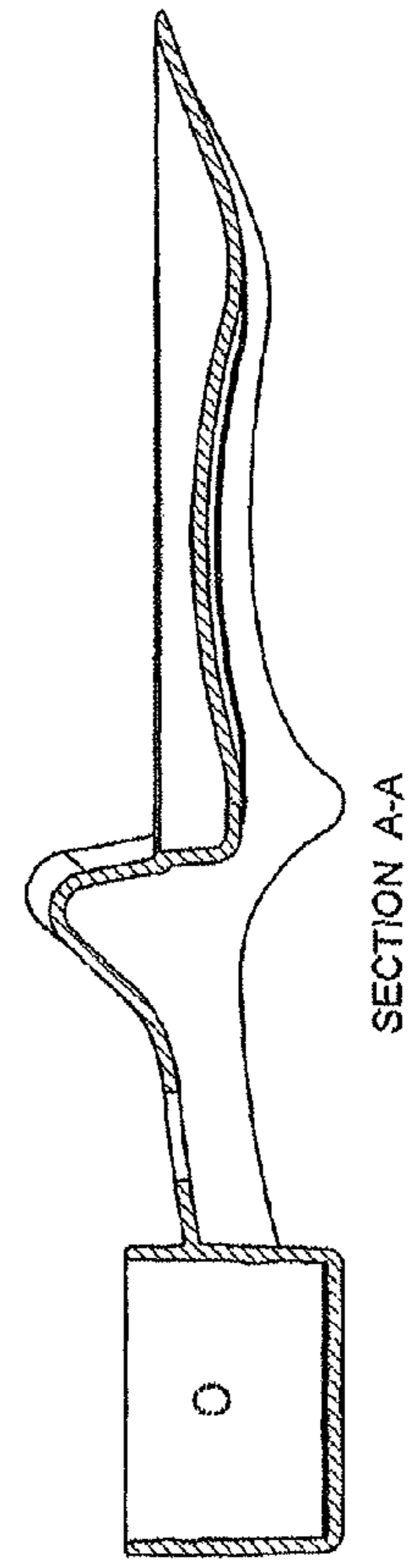


FIG. 16