



US00D694865S

(12) **United States Design Patent**
Licini

(10) **Patent No.:** **US D694,865 S**
(45) **Date of Patent:** **** Dec. 3, 2013**

(54) **BATH**

(75) Inventor: **Frederic Licini**, l'Etang la Ville (FR)

(73) Assignee: **Kohler Co.**, Kohler, WI (US)

(**) Term: **14 Years**

(21) Appl. No.: **29/428,048**

(22) Filed: **Jul. 25, 2012**

(30) **Foreign Application Priority Data**

Jan. 30, 2012	(EM)	001983396-0001
Jan. 30, 2012	(EM)	001983396-0002
Jan. 30, 2012	(EM)	001983396-0003
Jan. 30, 2012	(EM)	001983396-0004

(51) **LOC (9) Cl.** **23-02**

(52) **U.S. Cl.**
USPC **D23/277**

(58) **Field of Classification Search**
USPC D23/277-278, 280.1, 304, 275; 4/538,
4/614

See application file for complete search history.

(56) **References Cited**

U.S. PATENT DOCUMENTS

D244,855 S	6/1977	Doman
D318,322 S	7/1991	Dannenberg

(Continued)

Primary Examiner — Robert Delehanty

(74) *Attorney, Agent, or Firm* — Foley & Lardner LLP

(57) **CLAIM**

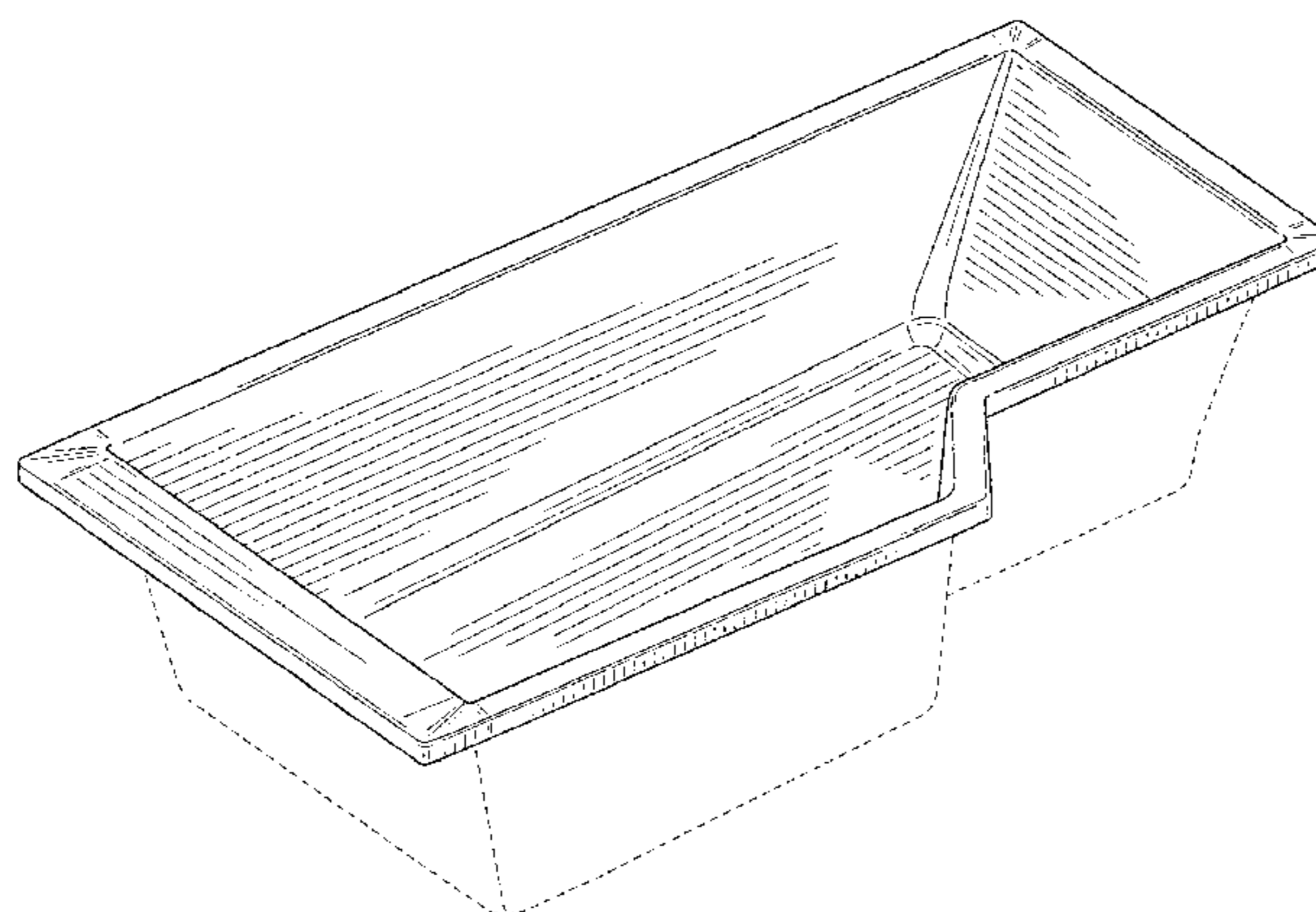
I claim the ornamental design for a bath, as shown and described.

DESCRIPTION

FIG. 1 is an top isometric view of an embodiment of the claimed design;

FIG. 2 is a top plan view of the claimed design of FIG. 1;
 FIG. 3 is a front view of the claimed design of FIG. 1;
 FIG. 4 is a rear view of the claimed design of FIG. 1;
 FIG. 5 is a right-side view of the claimed design of FIG. 1;
 FIG. 6 is a left-side view of the claimed design of FIG. 1;
 FIG. 7 is a sectional view of the claimed design of FIG. 1 taken along line 7-7 of FIG. 2;
 FIG. 8 is a sectional view of the claimed design of FIG. 1 taken along line 8-8 of FIG. 2;
 FIG. 9 is a top isometric view of another embodiment of the claimed design;
 FIG. 10 is a top plan view of the claimed design of FIG. 9;
 FIG. 11 is a front view of the claimed design of FIG. 9;
 FIG. 12 is a rear view of the claimed design of FIG. 9;
 FIG. 13 is a left-side view of the claimed design of FIG. 9;
 FIG. 14 is a right-side view of the claimed design of FIG. 9;
 FIG. 15 is a sectional view of the claimed design of FIG. 9 taken along line 15-15 of FIG. 10;
 FIG. 16 is a sectional view of the claimed design of FIG. 9 taken along line 16-16 of FIG. 10;
 FIG. 17 is a top isometric view of another embodiment of the claimed design;
 FIG. 18 is a top plan view of the claimed design of FIG. 17;
 FIG. 19 is a front view of the claimed design of FIG. 17;
 FIG. 20 is a rear view of the claimed design of FIG. 17;
 FIG. 21 is a left-side view of the claimed design of FIG. 17;
 FIG. 22 is a right-side view of the claimed design of FIG. 17;
 FIG. 23 is a sectional view of the claimed design of FIG. 17 taken along line 23-23 of FIG. 18;
 FIG. 24 is a sectional view of the claimed design of FIG. 17 taken along line 24-24 of FIG. 18;
 FIG. 25 is a top isometric view of another embodiment of the claimed design;
 FIG. 26 is a top plan view of the claimed design of FIG. 25;
 FIG. 27 is a front view of the claimed design of FIG. 25;
 FIG. 28 is a rear view of the claimed design of FIG. 25;
 FIG. 29 is a left-side view of the claimed design of FIG. 25;
 FIG. 30 is a right-side view of the claimed design of FIG. 25;
 FIG. 31 is a sectional view of the claimed design of FIG. 25 taken along line 31-31 of FIG. 26; and,
 FIG. 32 is a sectional view of the claimed design of FIG. 25 taken along line 31-31 of FIG. 26. The ornamental design which is claimed is shown in solid lines in the drawings. The broken lines in the drawings are for illustrative purposes only and form no part of the claimed design.

1 Claim, 20 Drawing Sheets



US D694,865 S

Page 2

(56)

References Cited

U.S. PATENT DOCUMENTS

D324,263 S 2/1992 Kohler, Jr. et al.
D324,729 S 3/1992 Yvetot
D338,259 S * 8/1993 Higginbotham et al. D23/277
D387,148 S * 12/1997 Bennett et al. D23/277

D392,723 S * 3/1998 Lenardon D23/277
D482,763 S 11/2003 Thomas
D594,940 S 6/2009 Bates
D595,817 S 7/2009 Stanchak et al.
D613,834 S * 4/2010 Kergoet D23/277

* cited by examiner

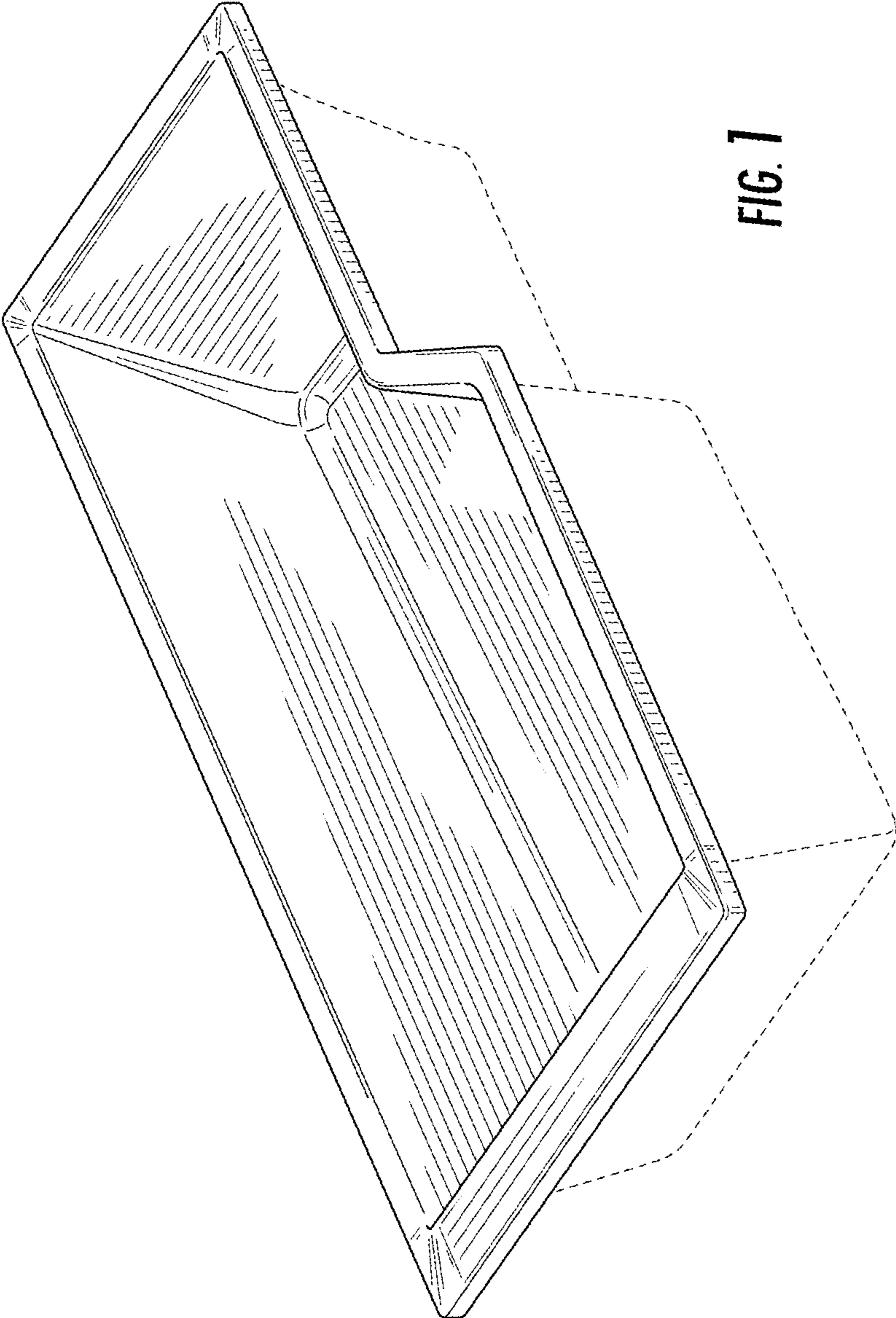


FIG. 1

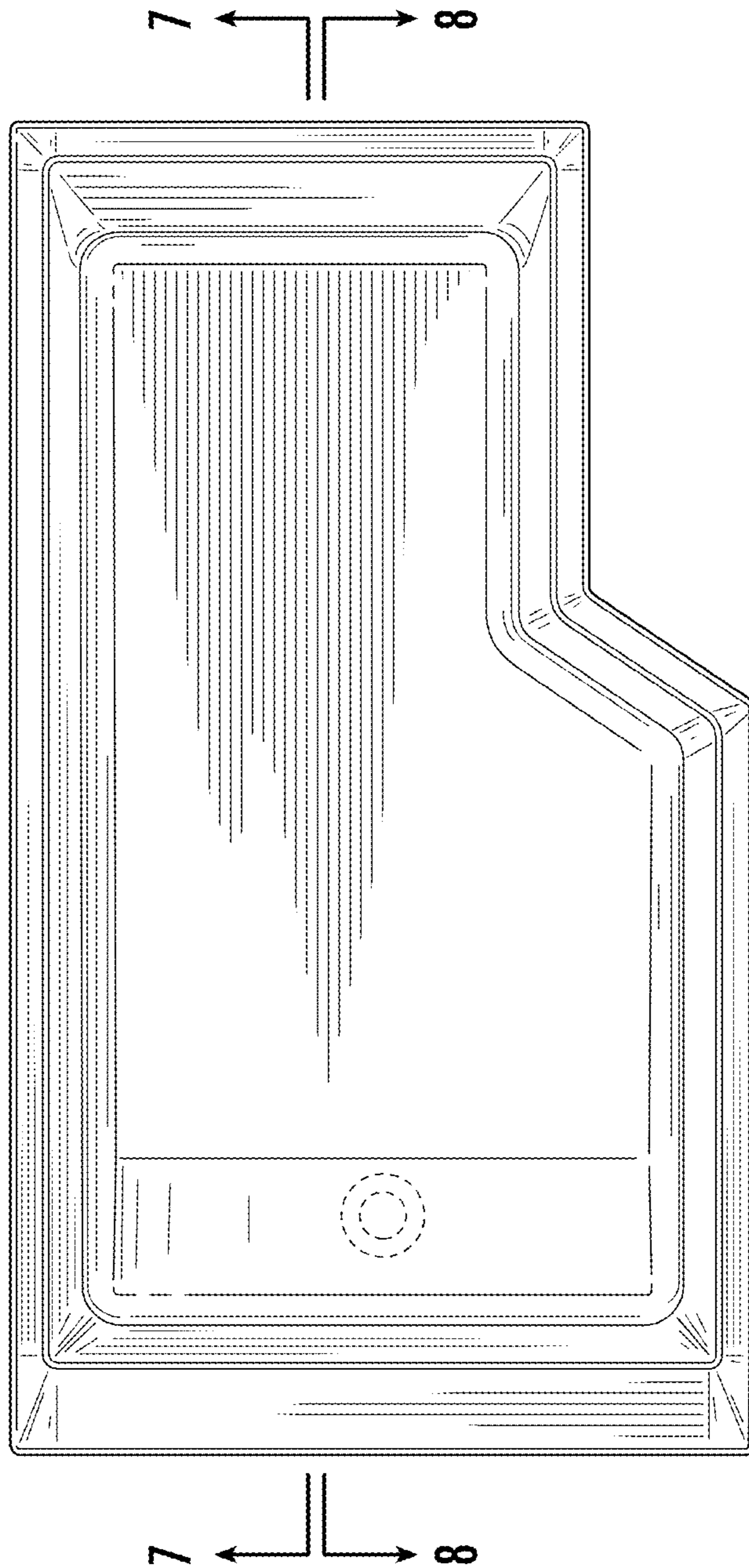


FIG. 2

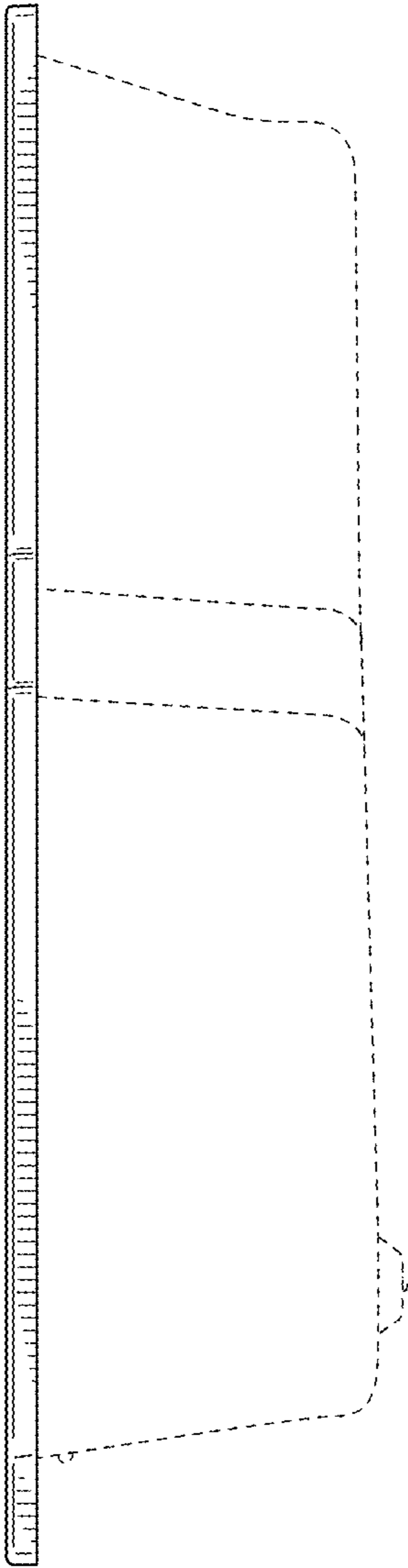


FIG. 3

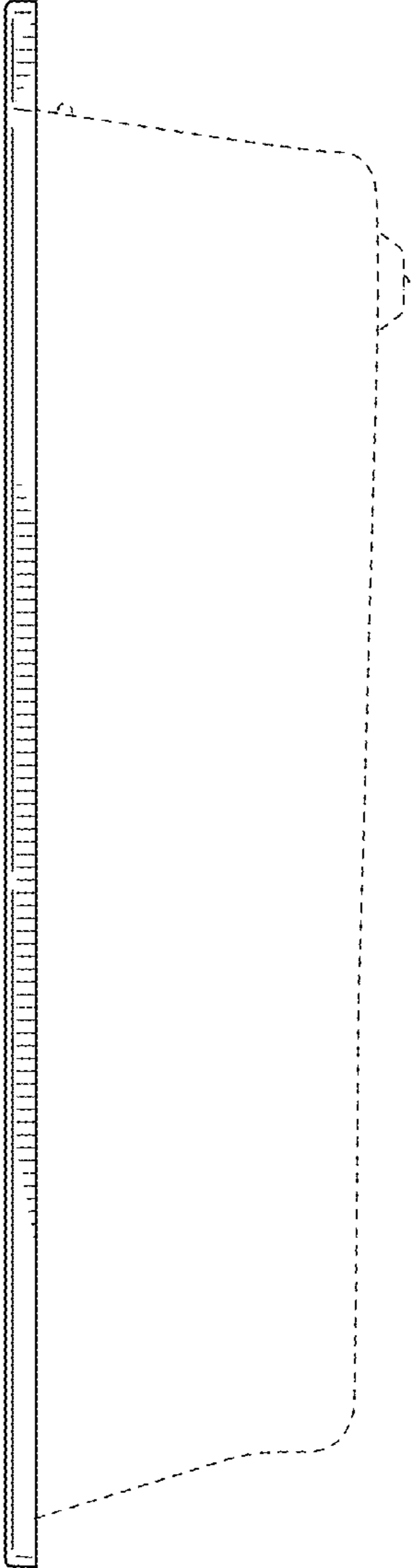


FIG. 4

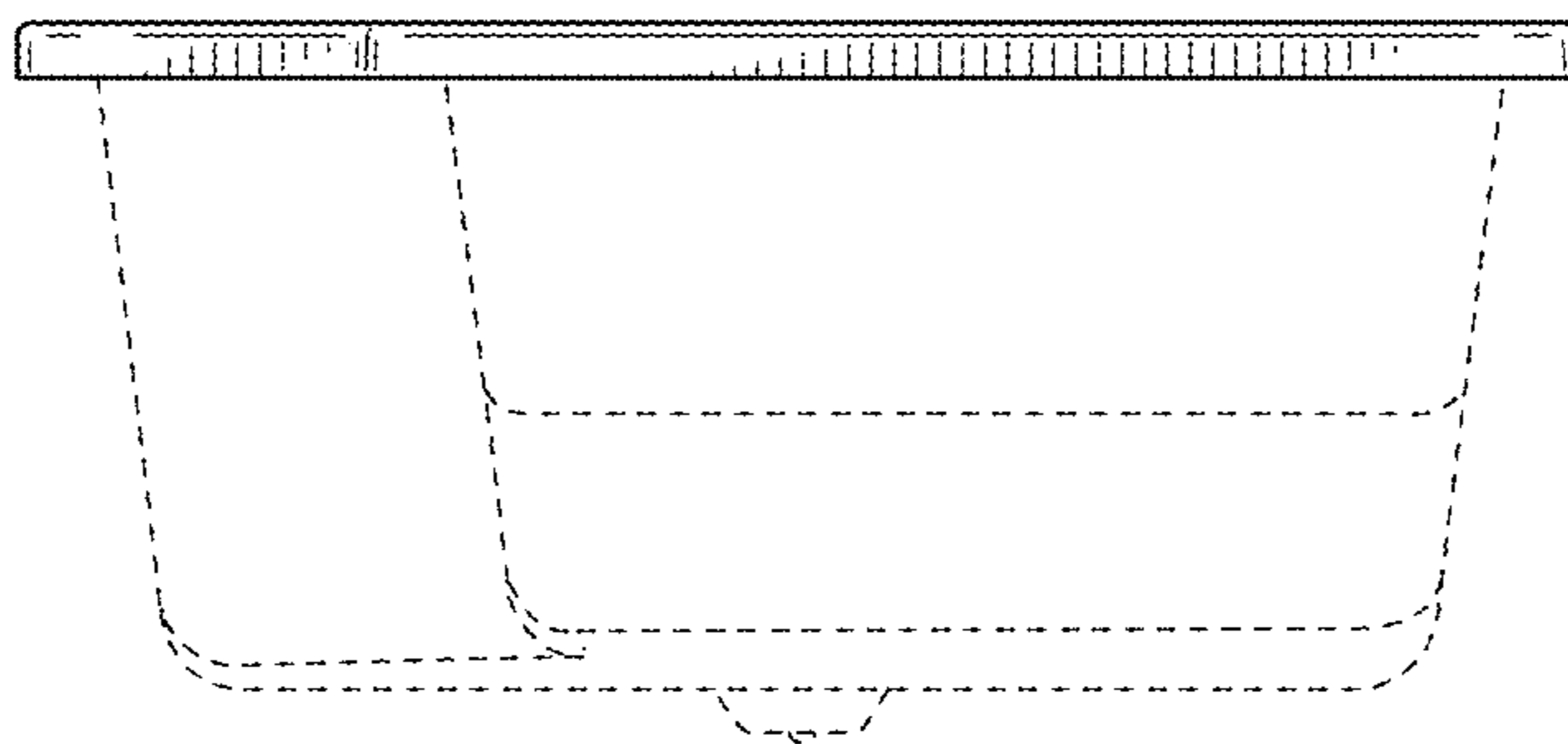


FIG. 5

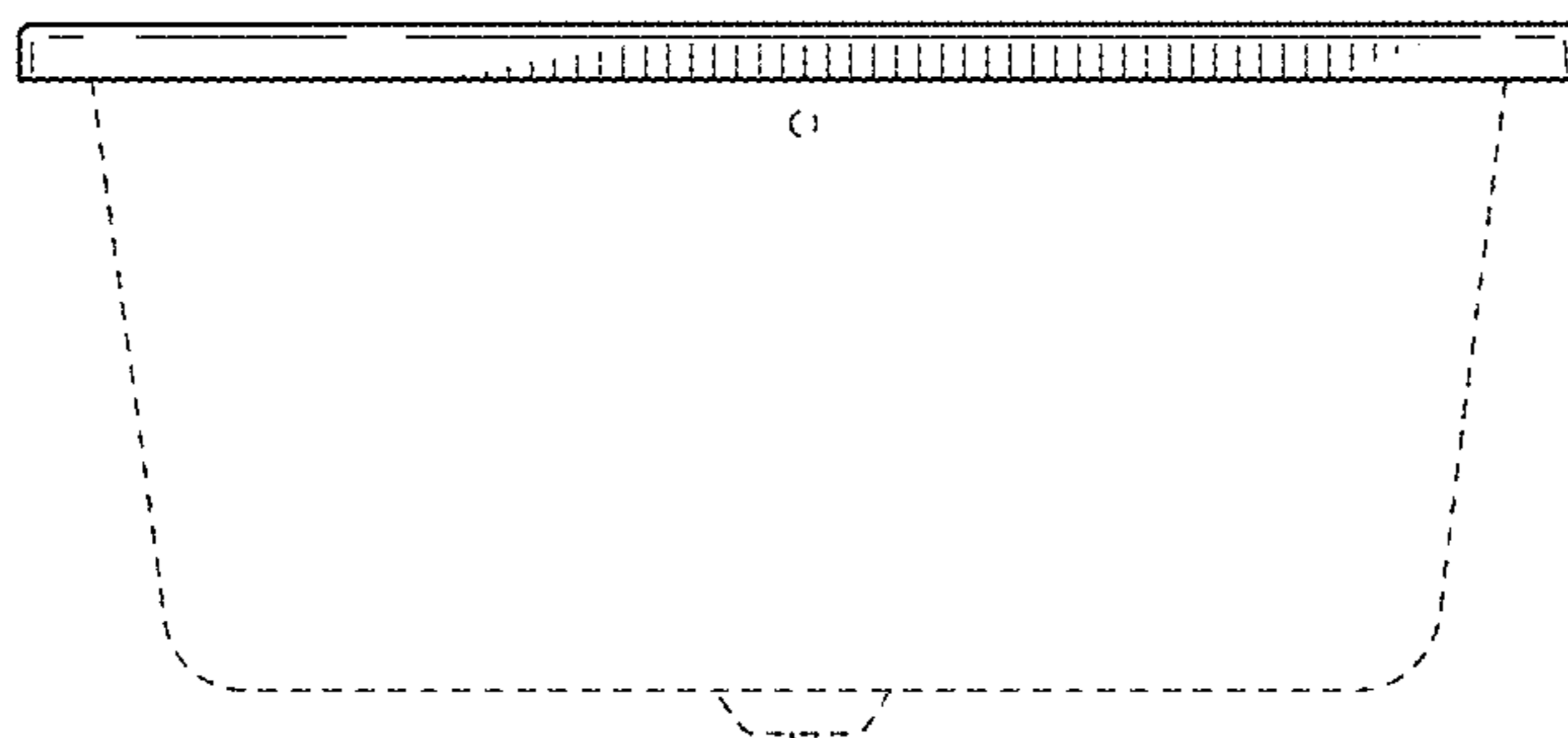


FIG. 6

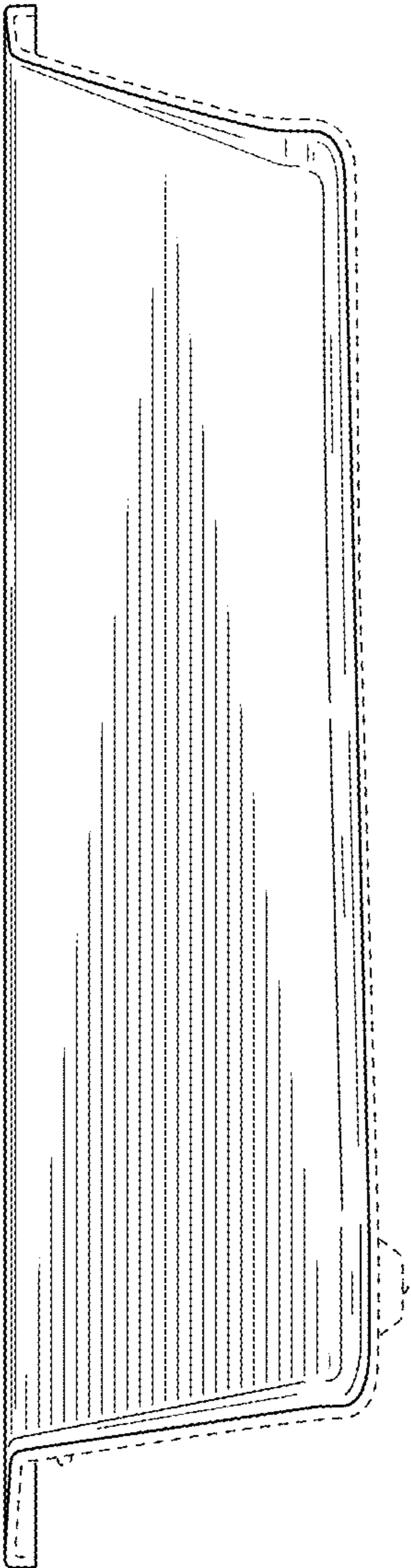


FIG. 7

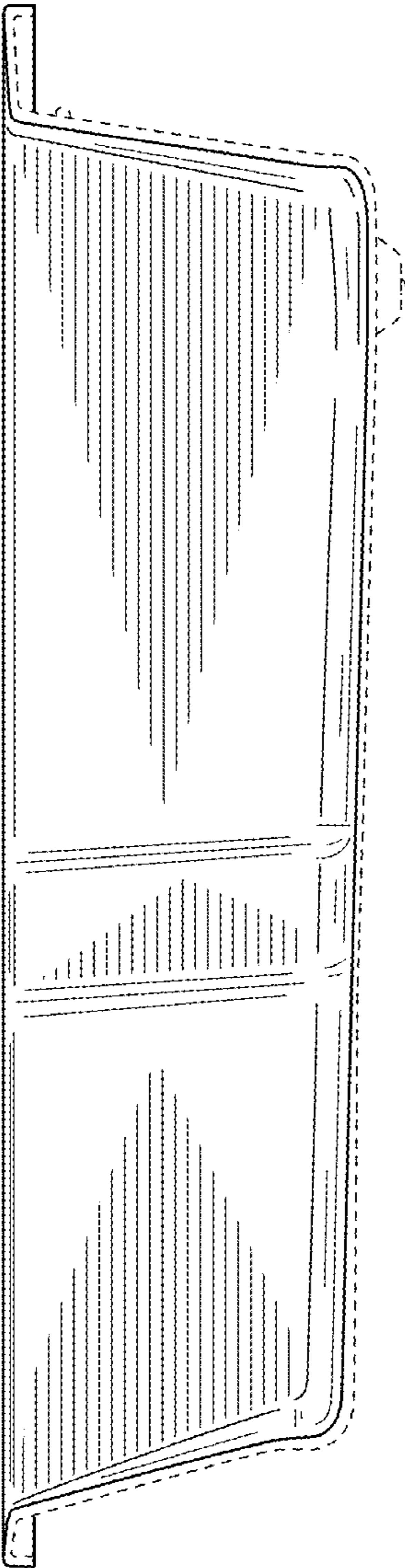
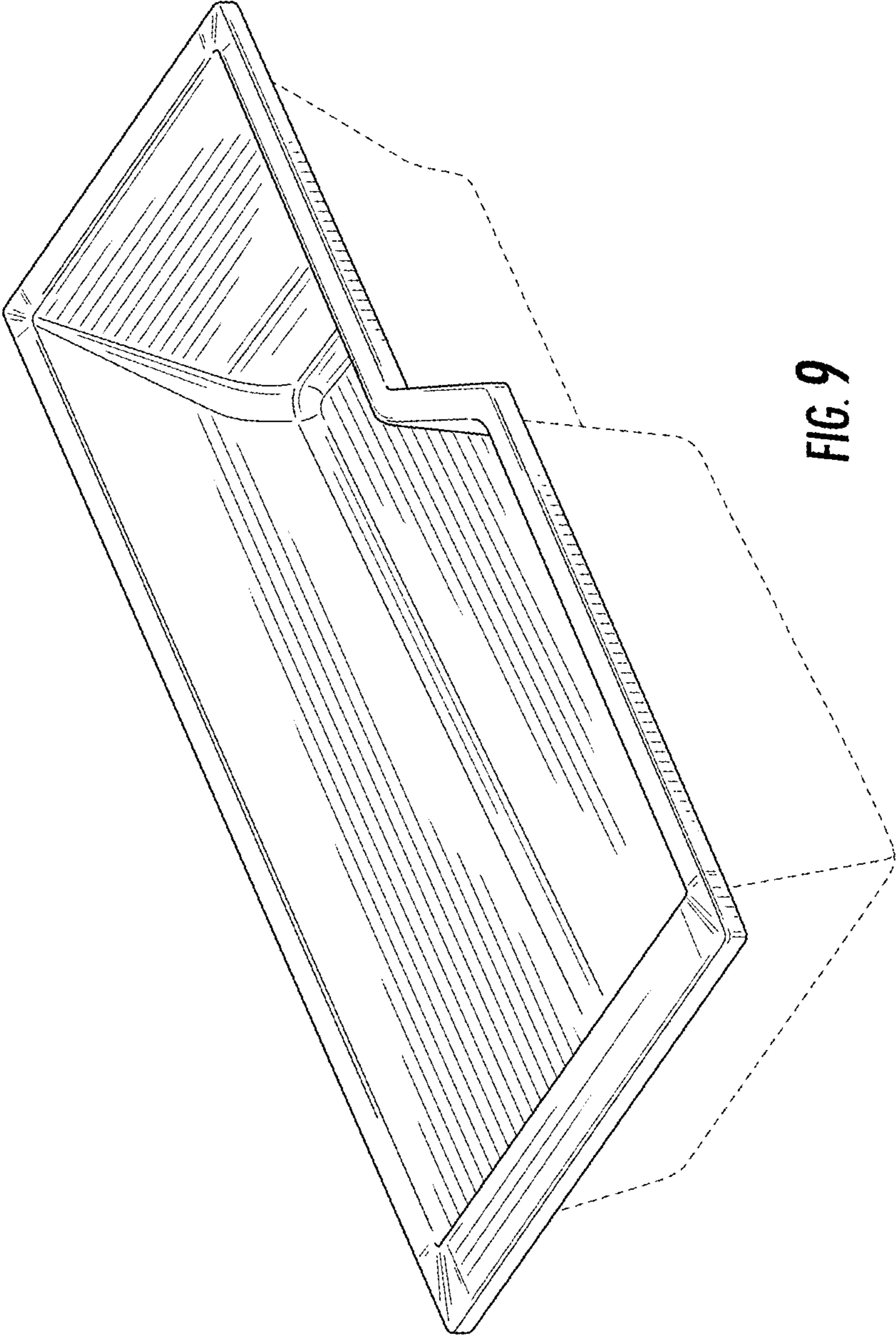


FIG. 8



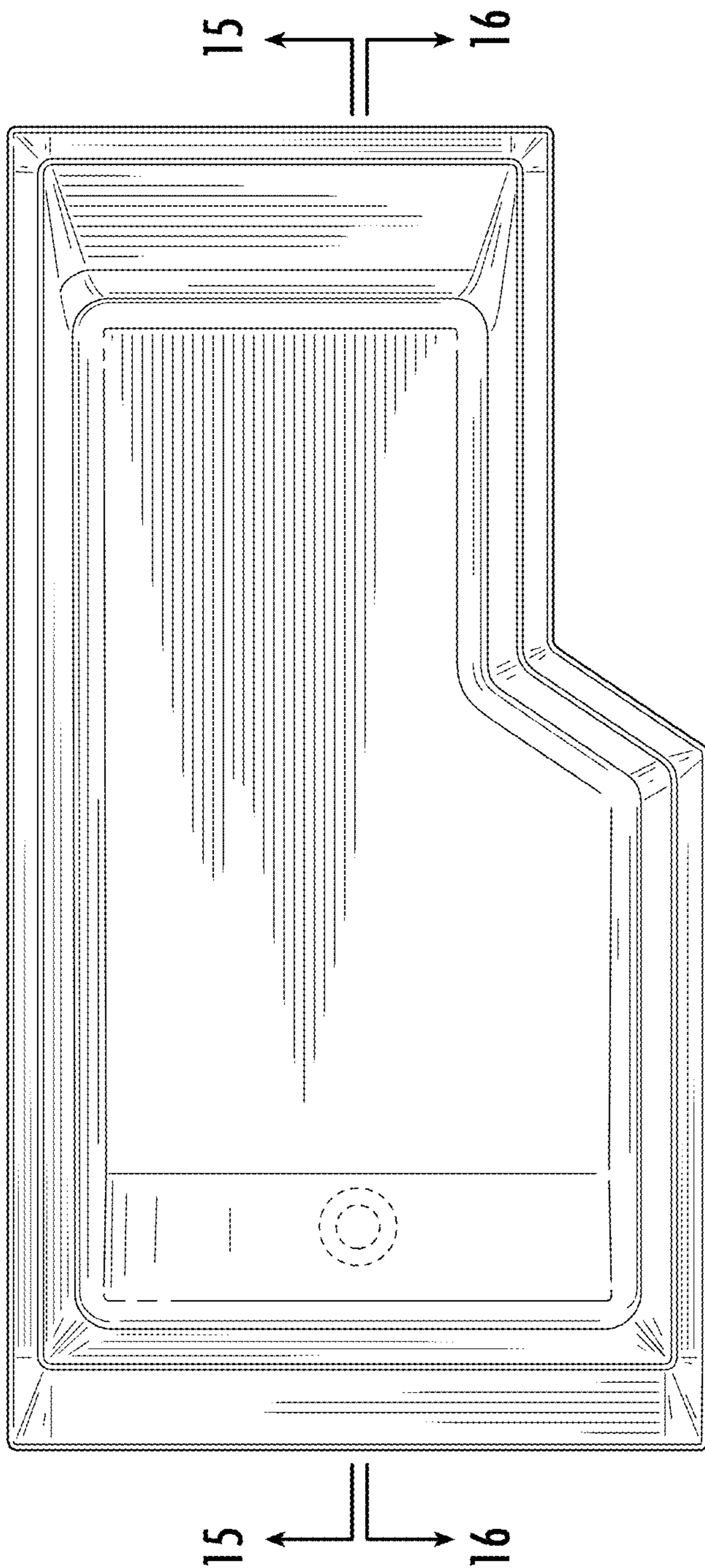


FIG. 10

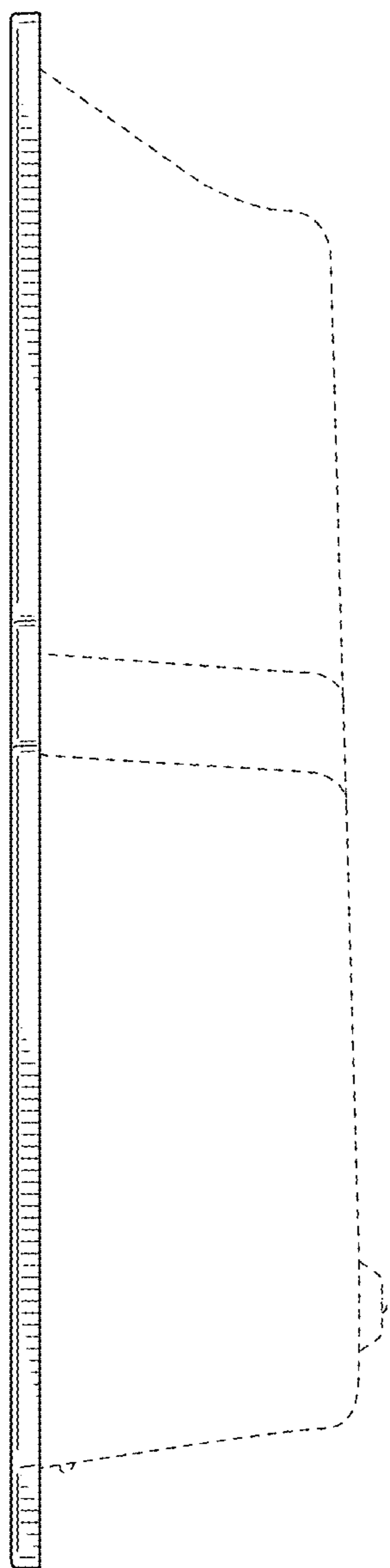


FIG. 11

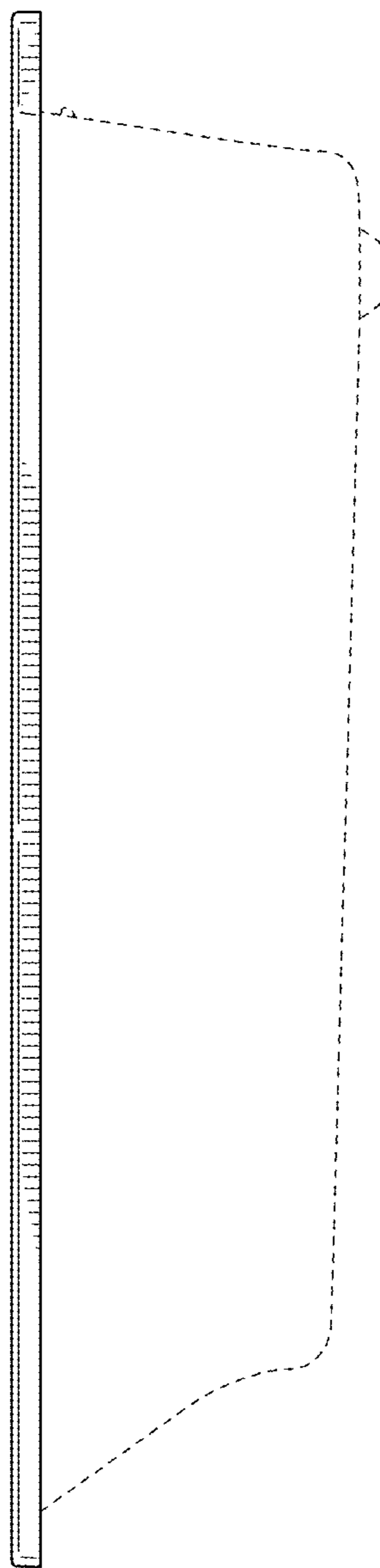


FIG. 12

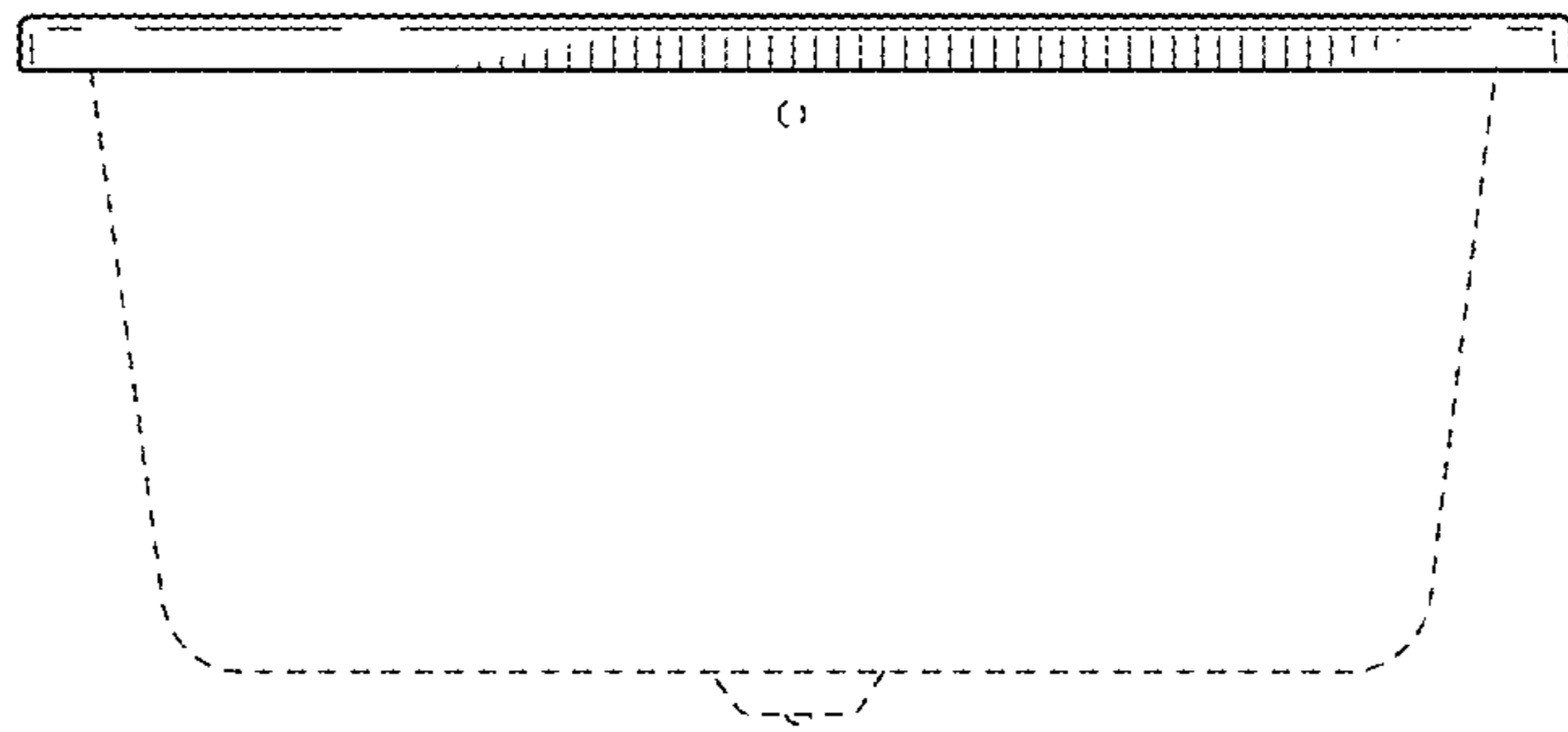


FIG. 13

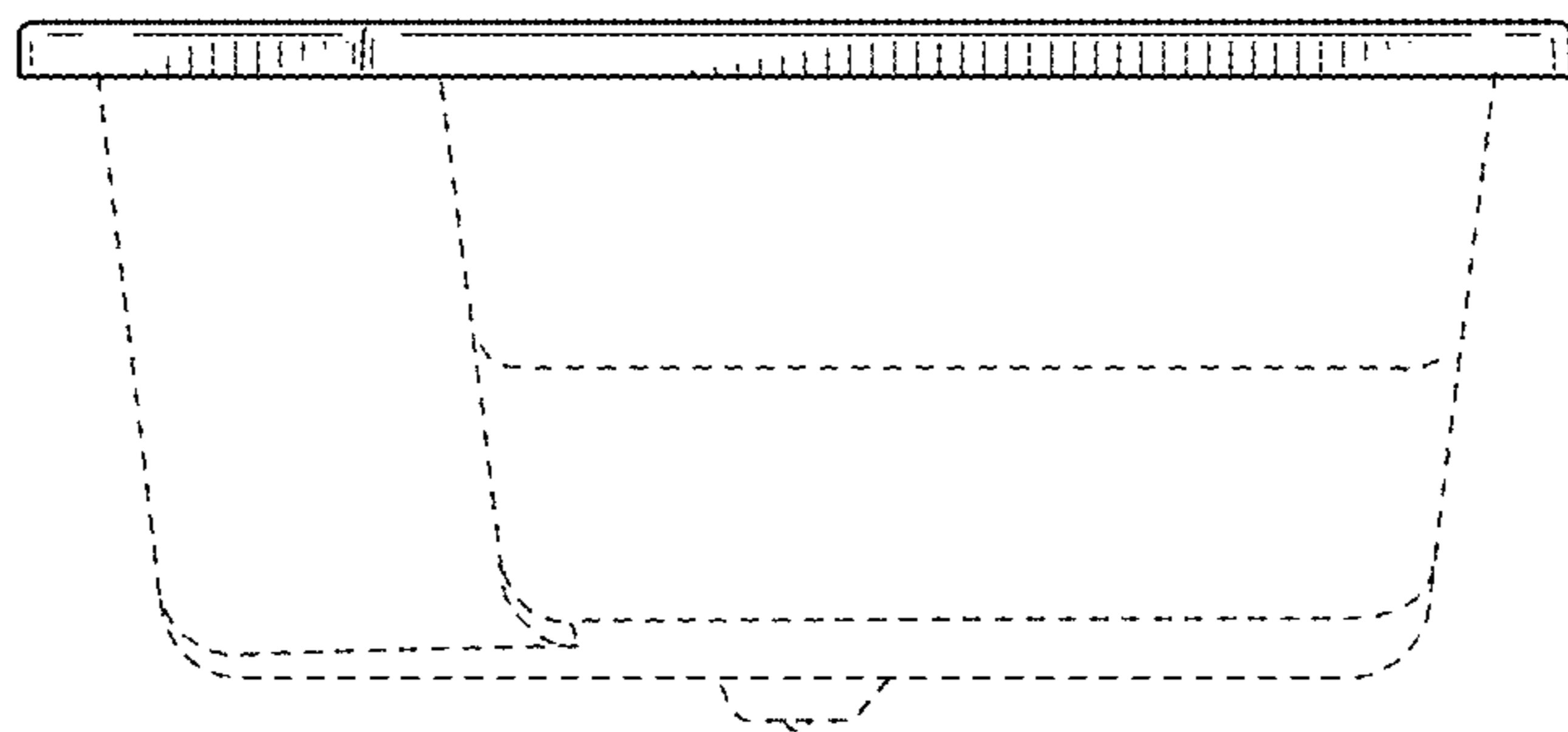


FIG. 14

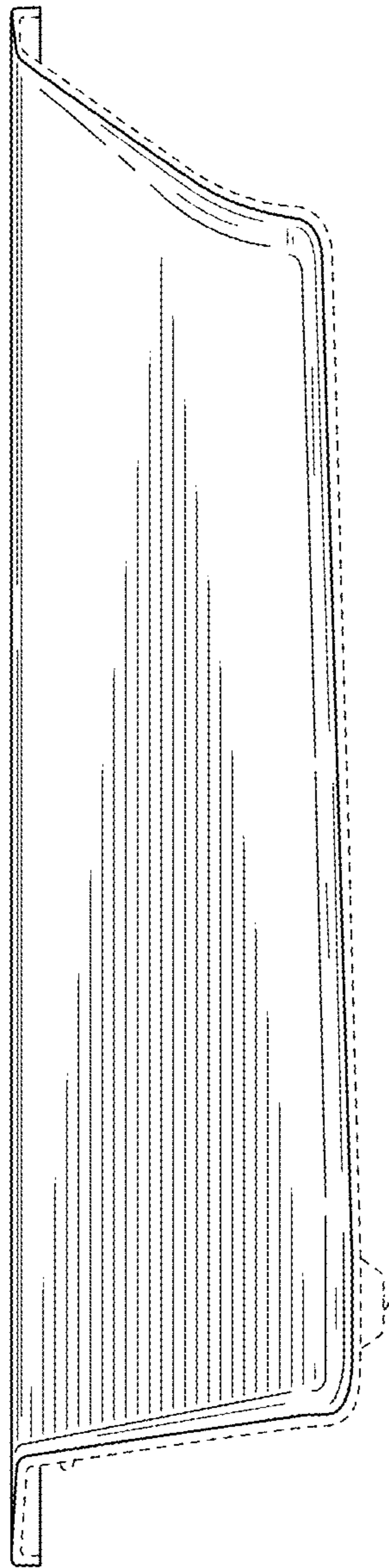


FIG. 15

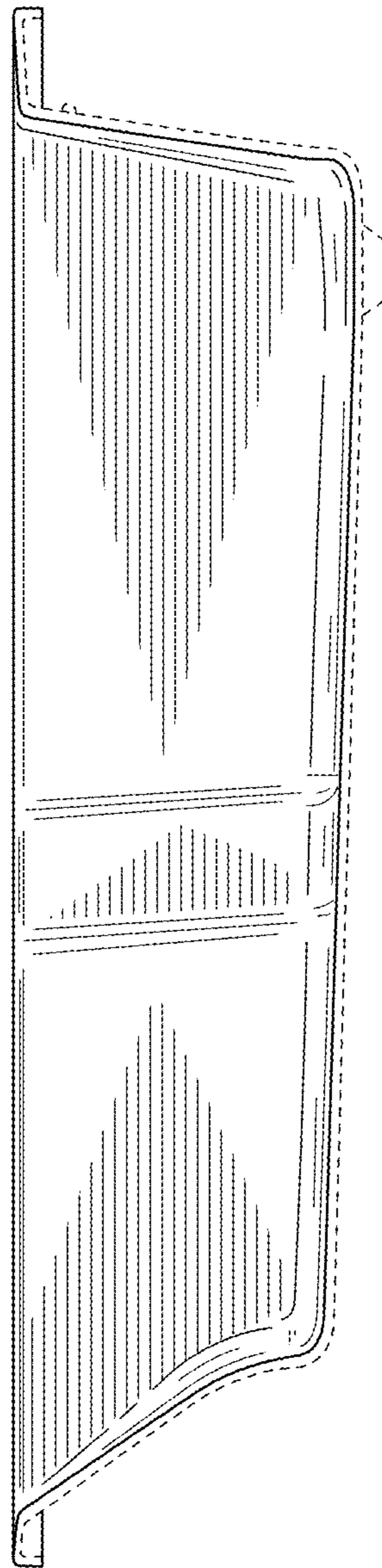


FIG. 16

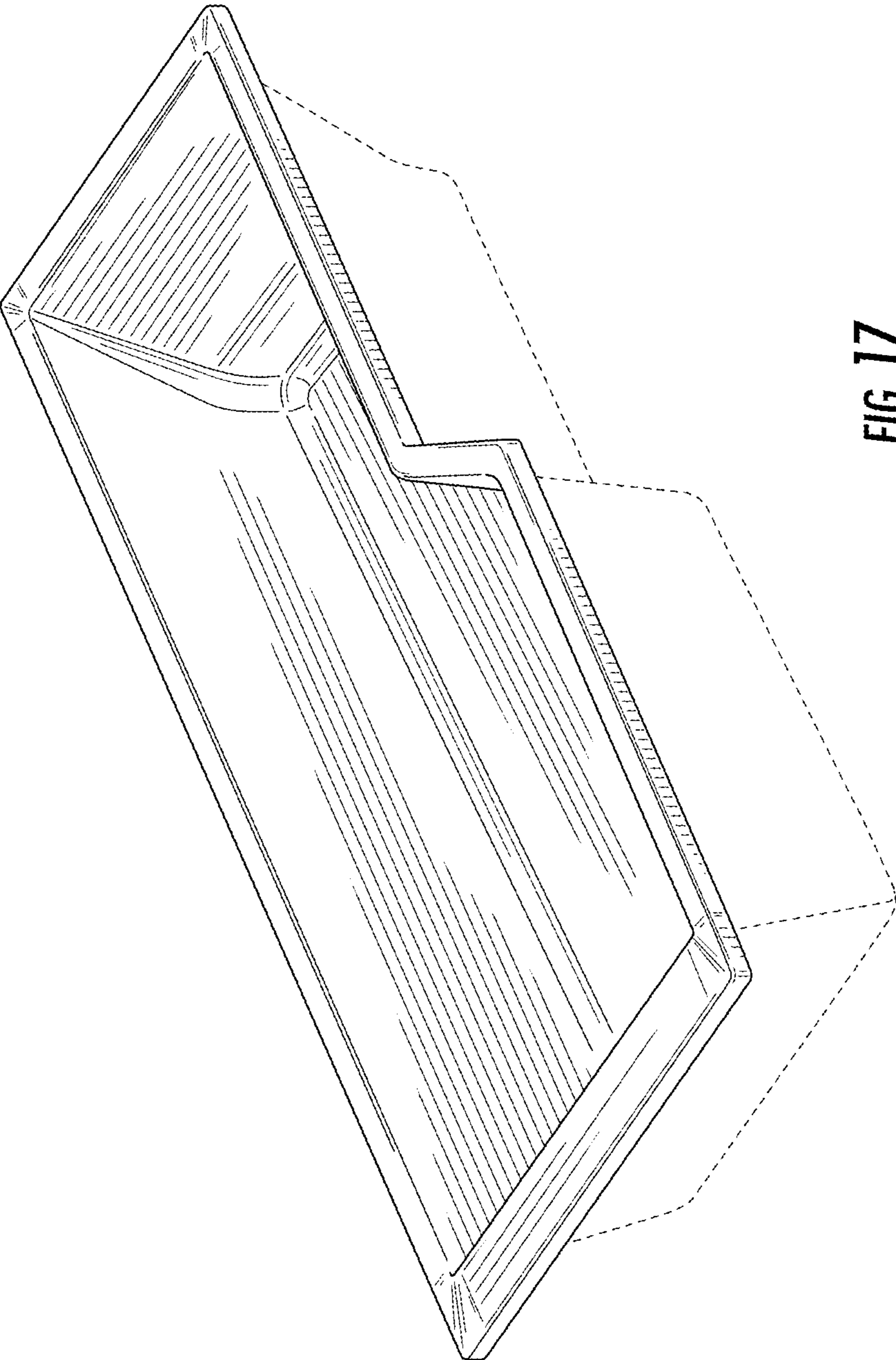


FIG. 17

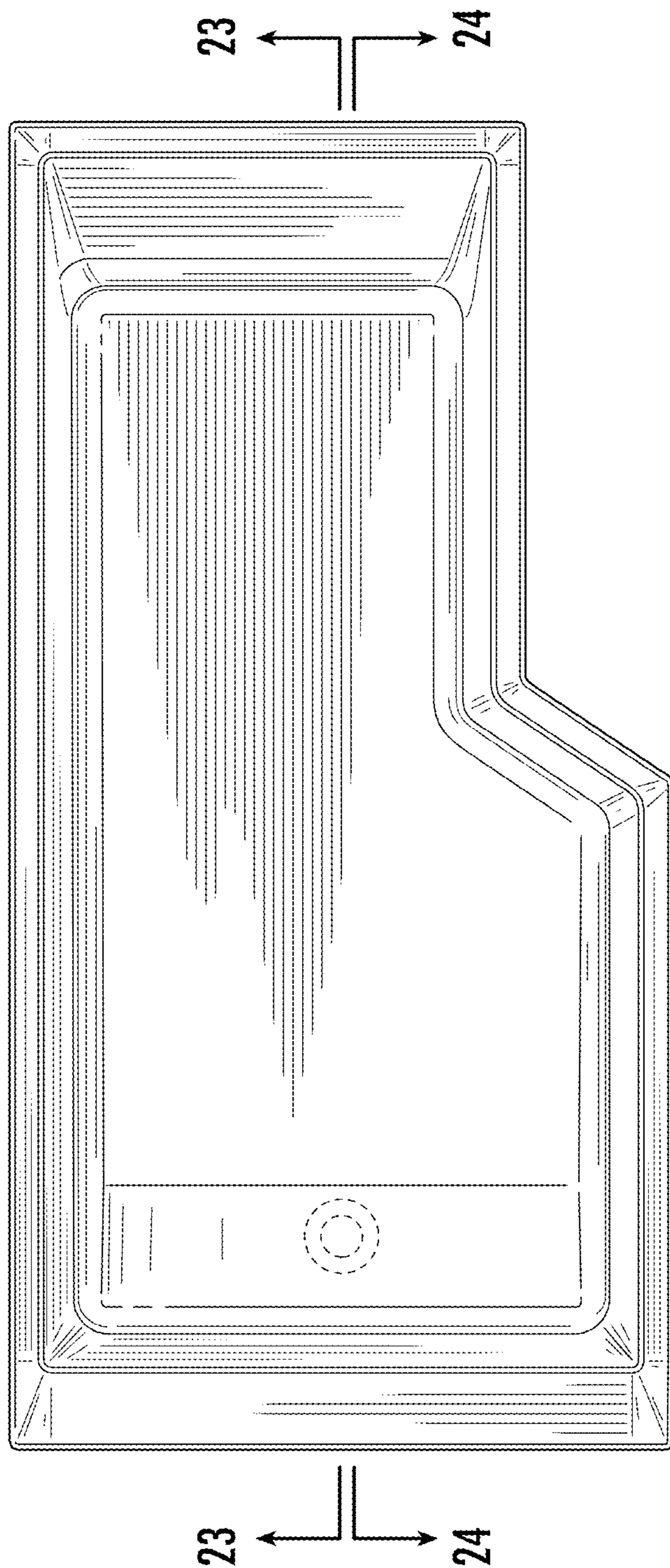


FIG. 18

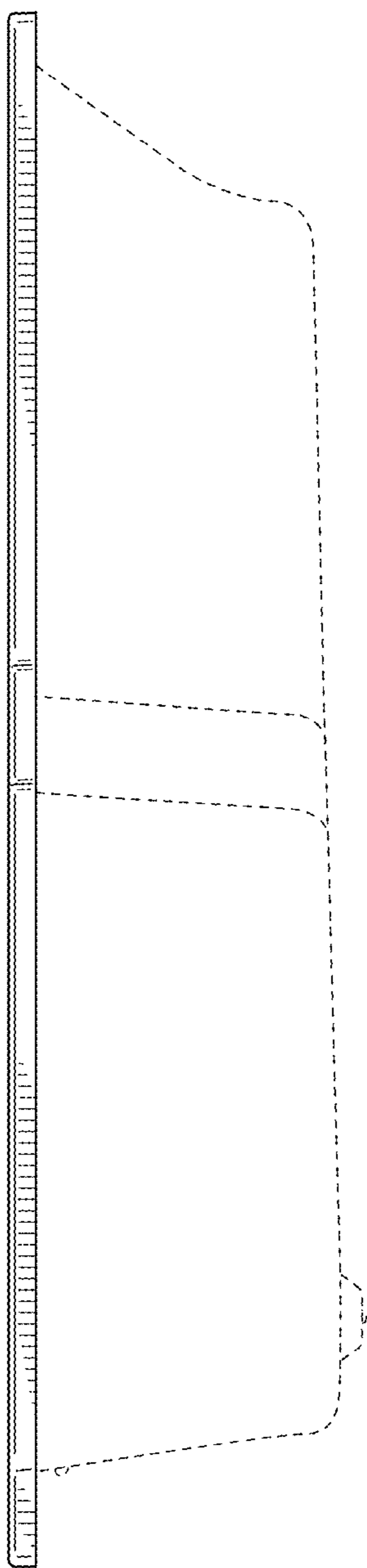


FIG. 19

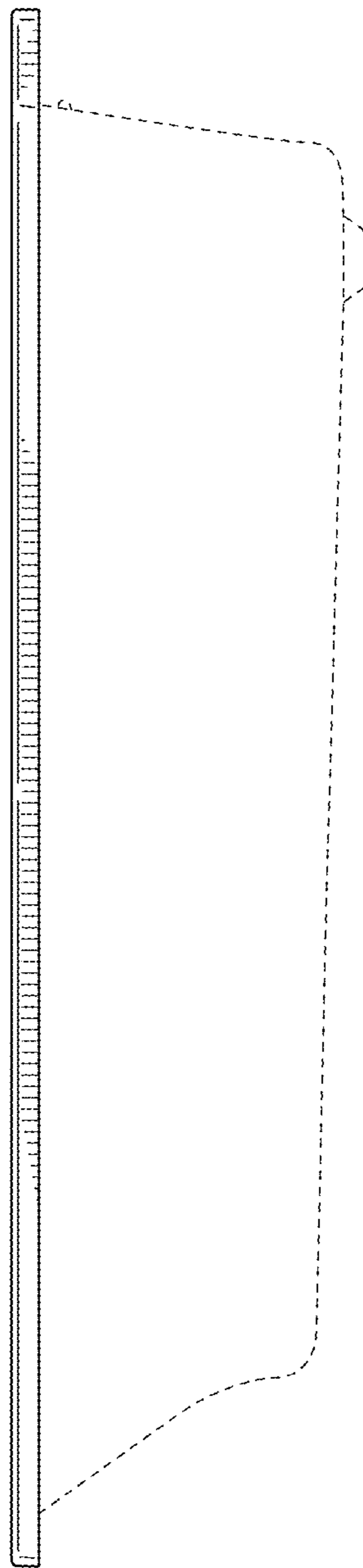


FIG. 20

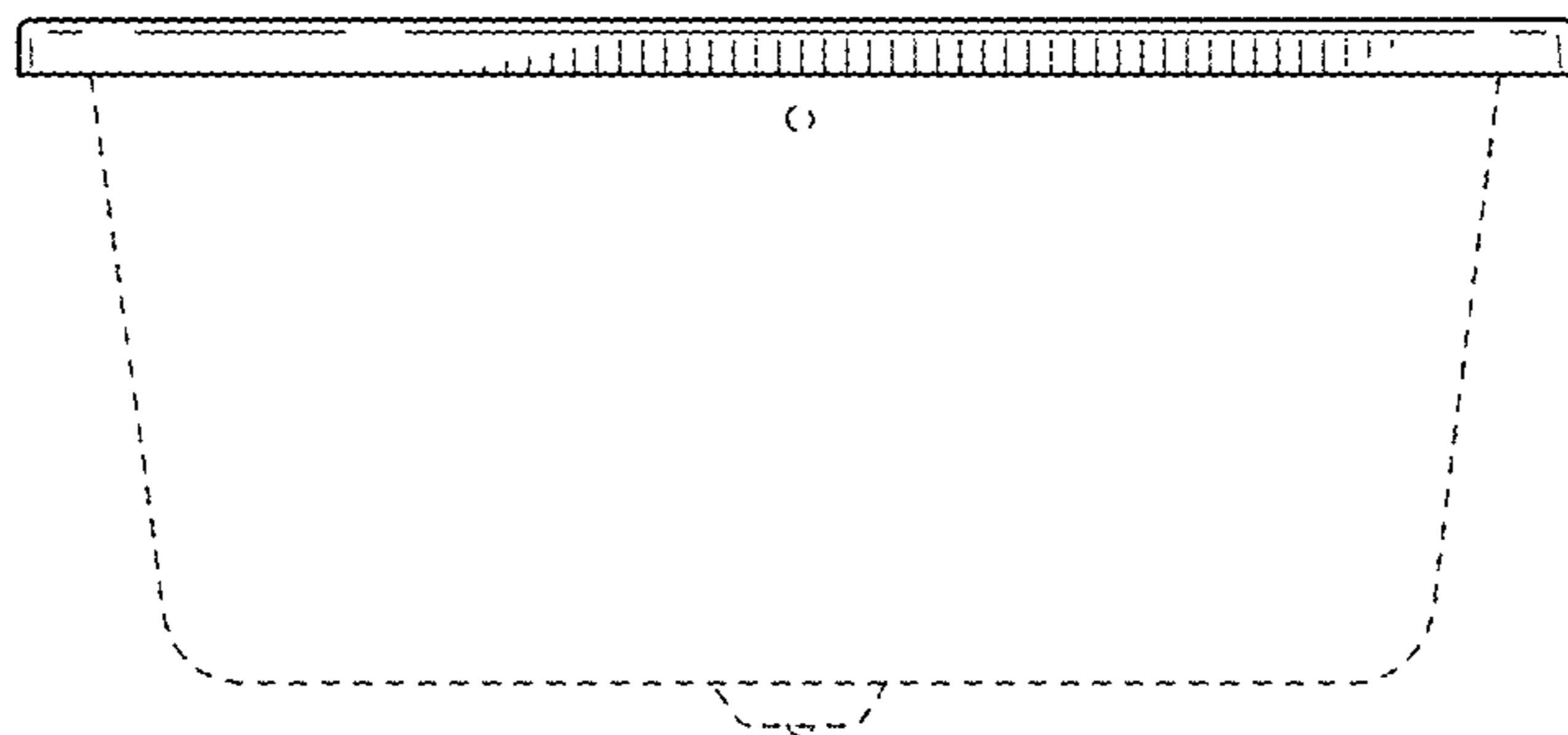


FIG. 21

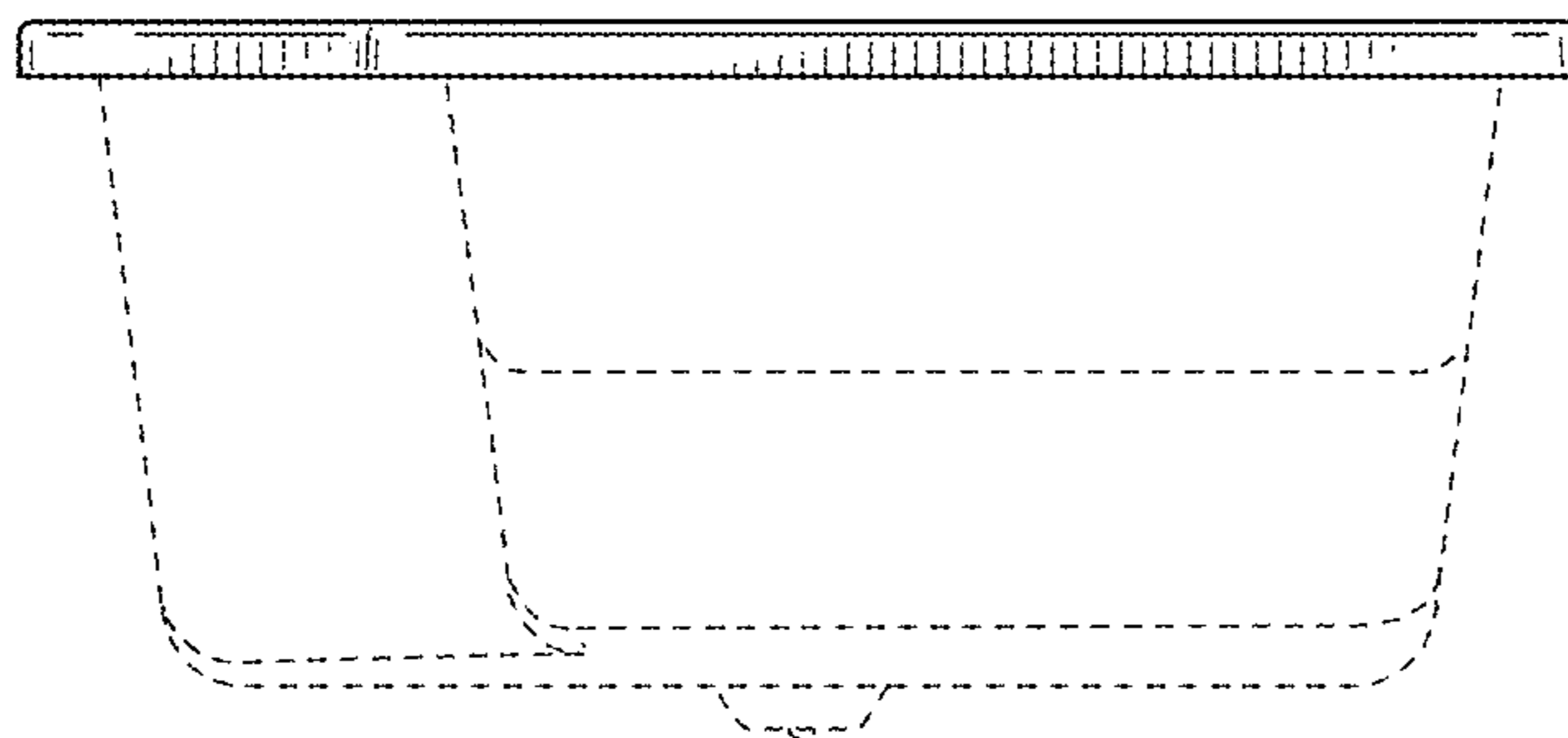


FIG. 22

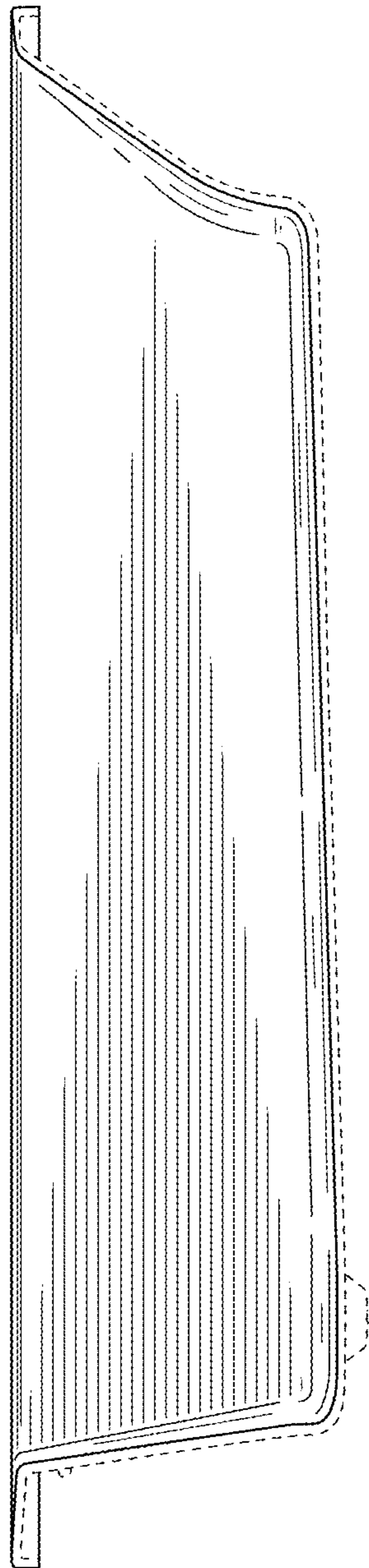


FIG. 23

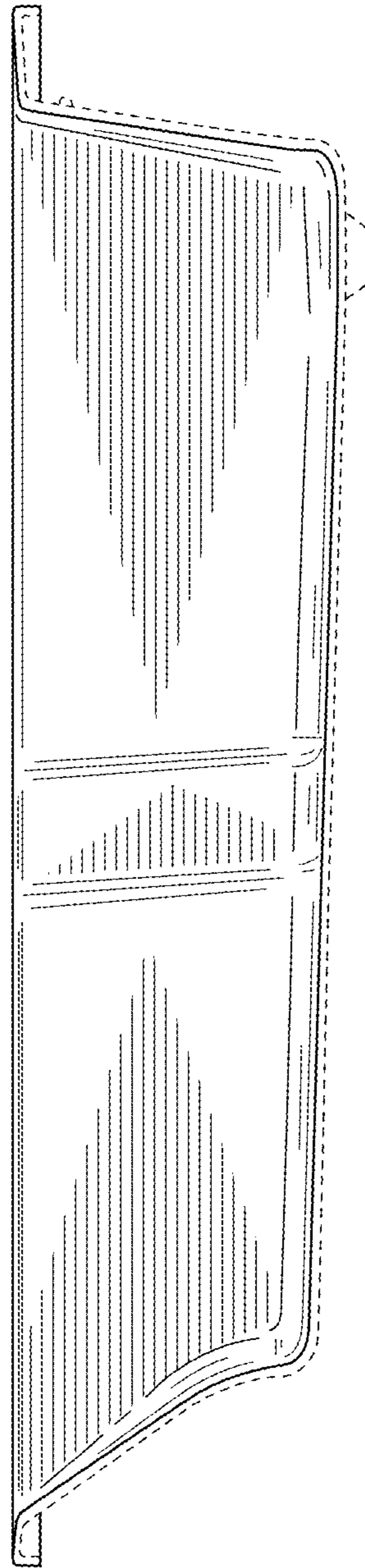


FIG. 24

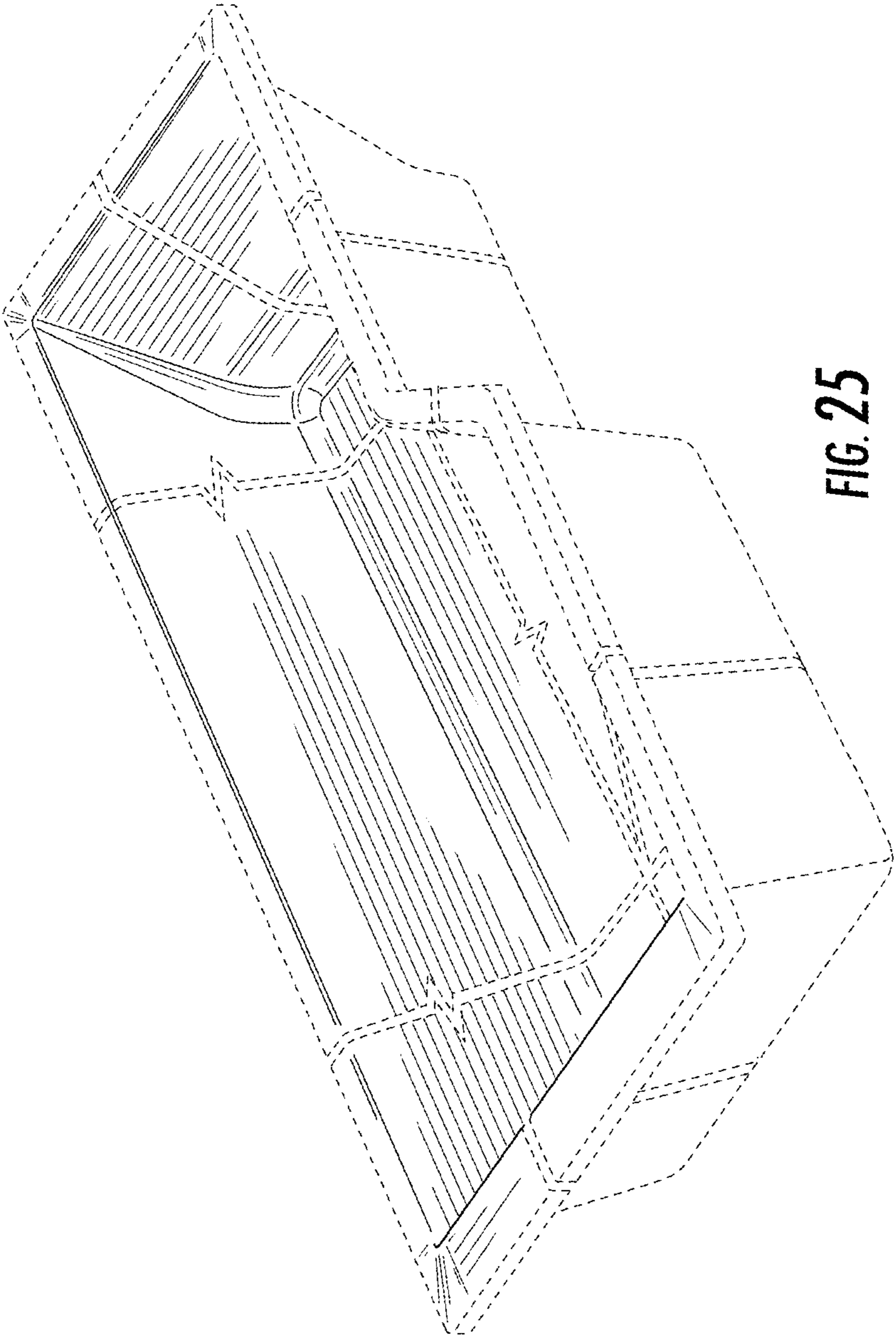


FIG. 25

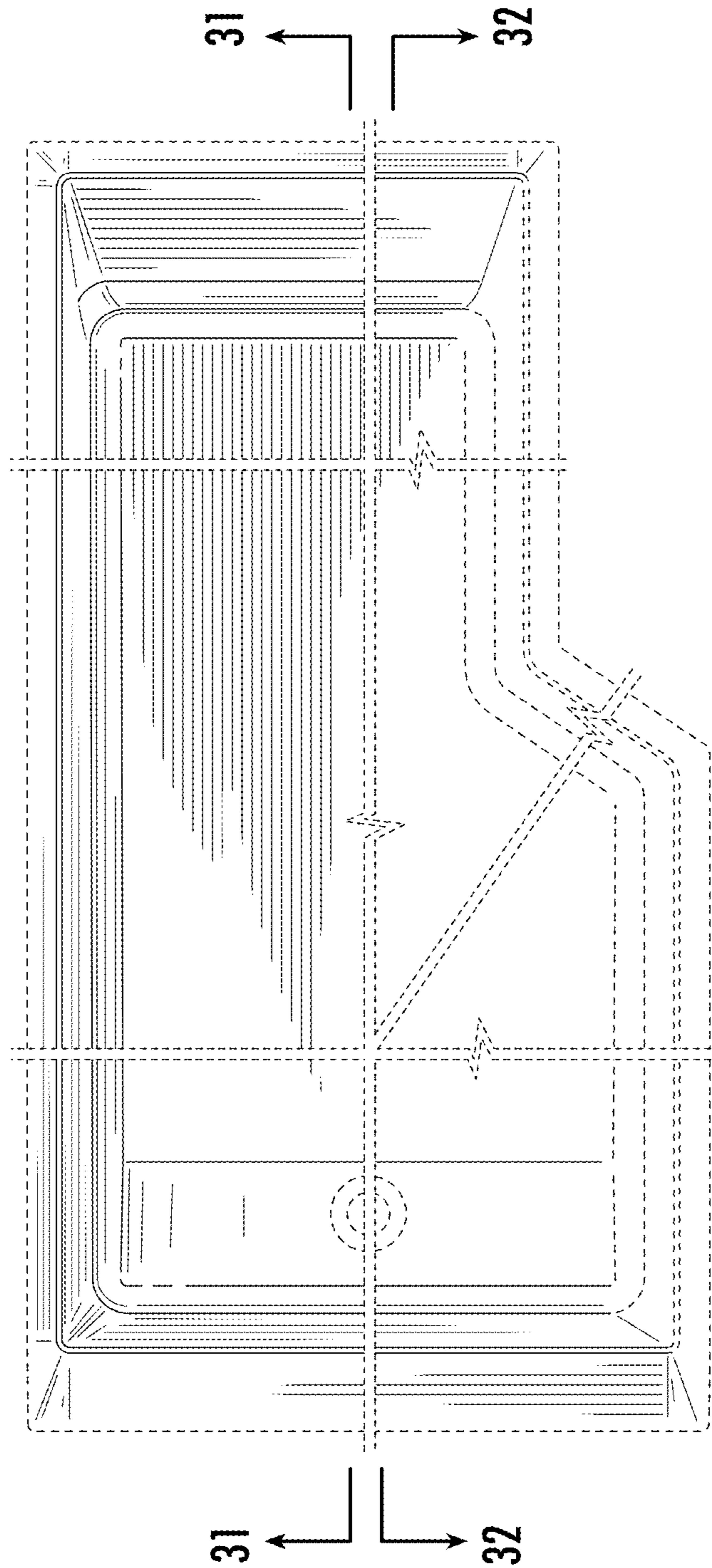


FIG. 26

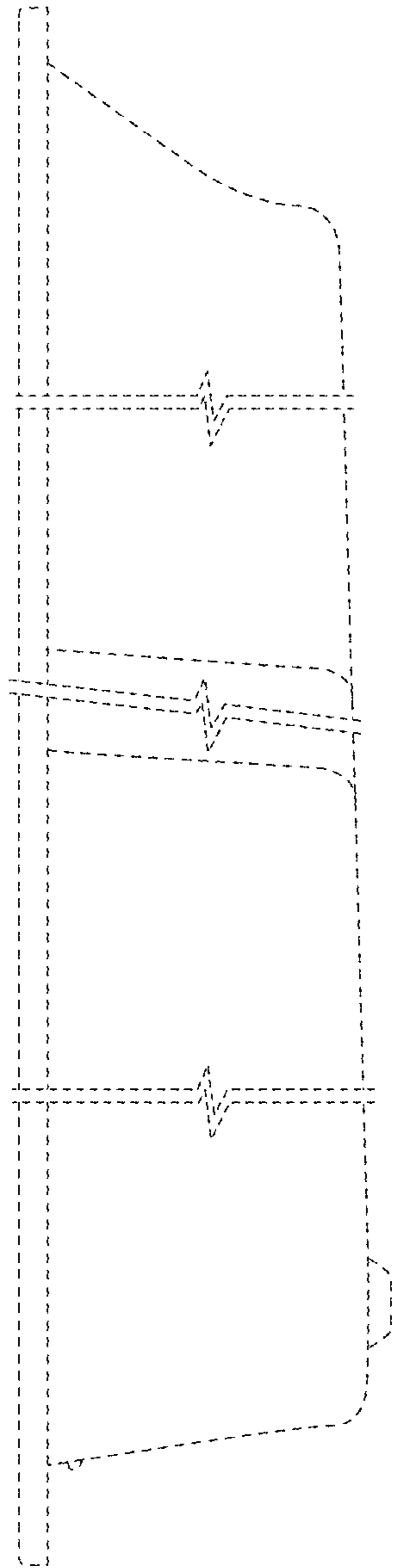


FIG. 27

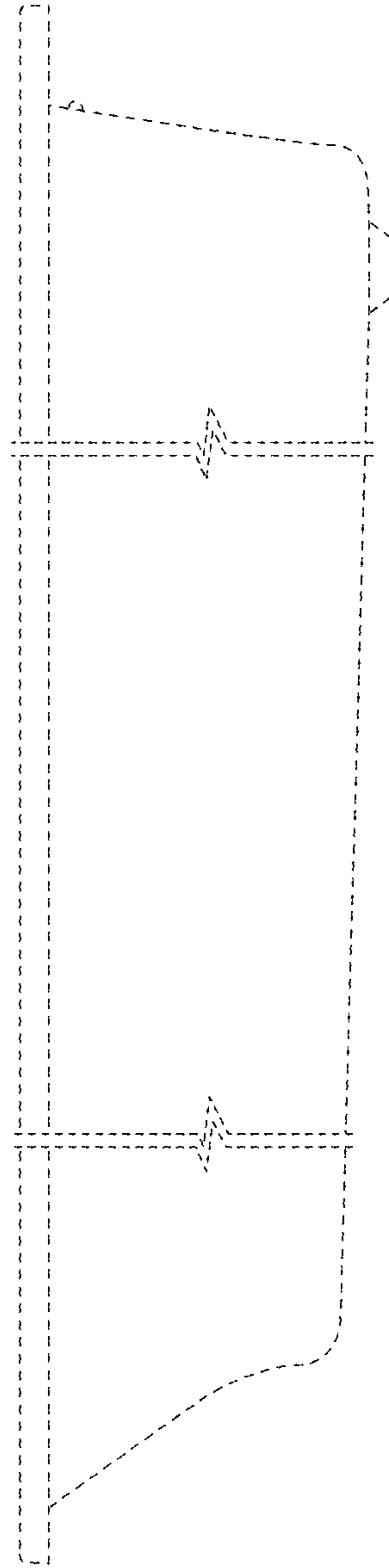


FIG. 28

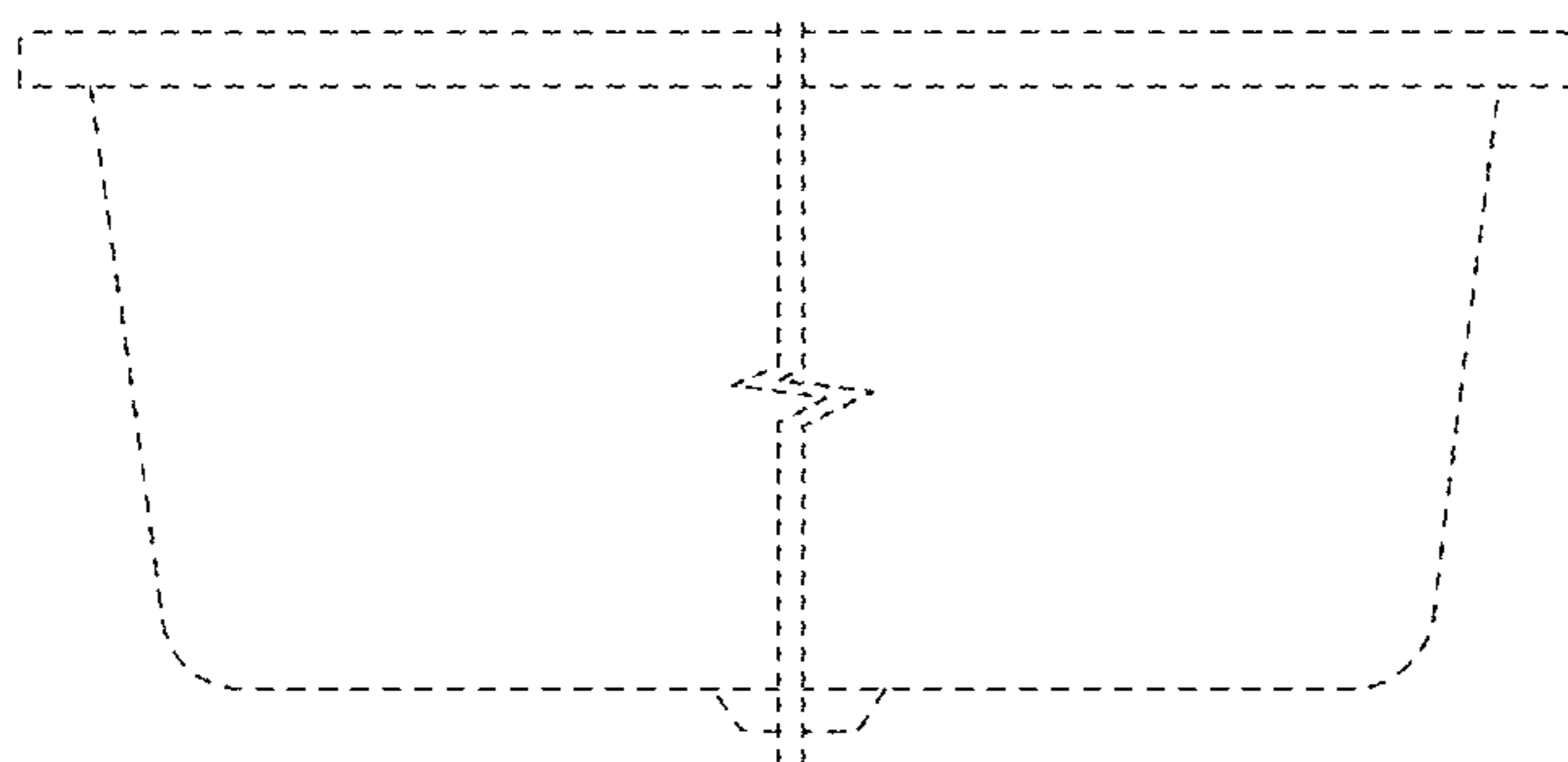


FIG. 29

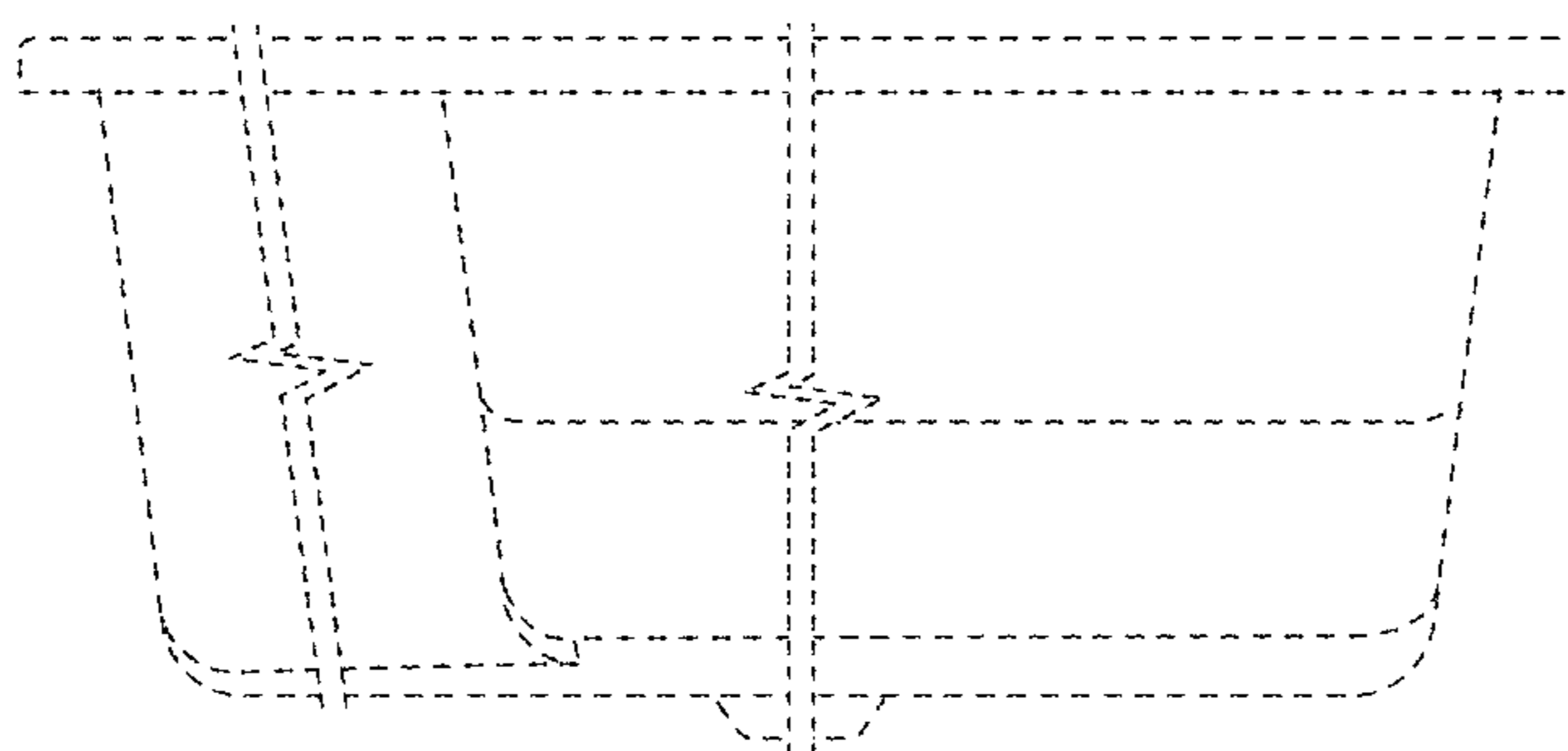


FIG. 30

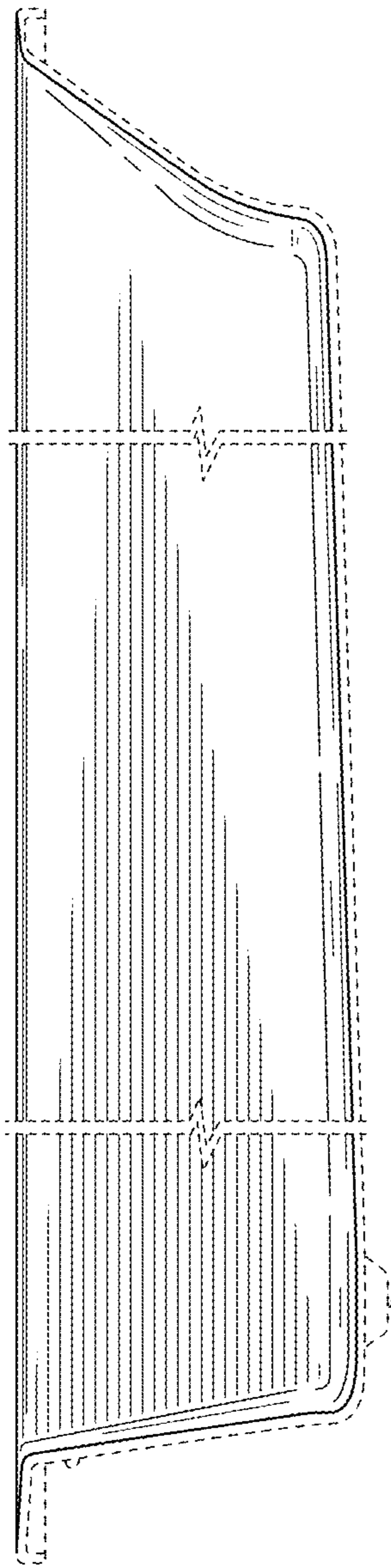


FIG. 31

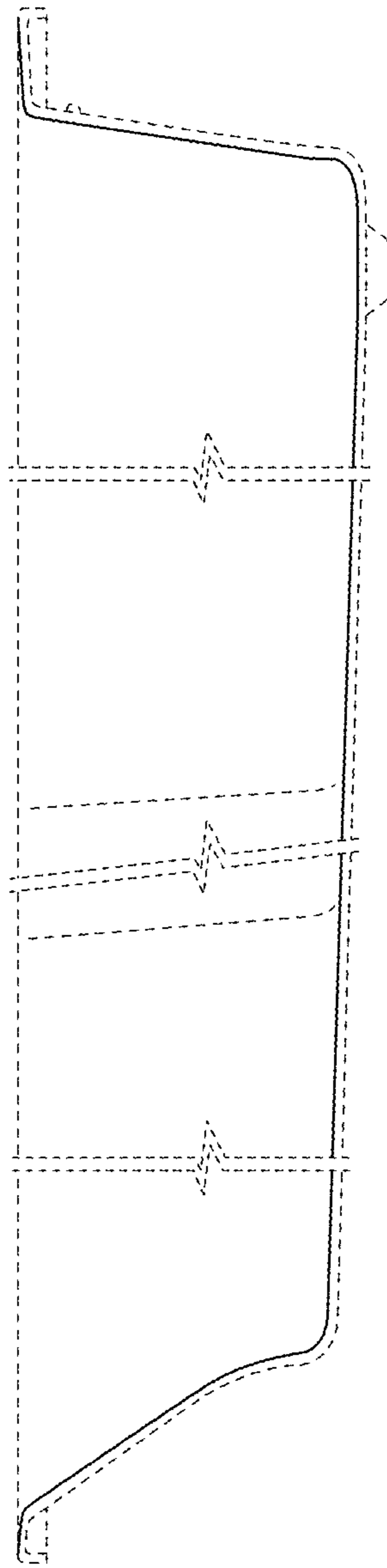


FIG. 32