

US00D694862S

(12) **United States Design Patent**
Patterson

(10) **Patent No.:** **US D694,862 S**

(45) **Date of Patent:** **** Dec. 3, 2013**

(54) **TRAP HAT**

(75) Inventor: **Rick Patterson**, Fountain Valley, CA
(US)

(73) Assignee: **Trap Hat, LLC**, Fountain Valley, CA
(US)

(**) Term: **14 Years**

(21) Appl. No.: **29/416,608**

(22) Filed: **Mar. 23, 2012**

(51) **LOC (9) Cl.** **23-01**

(52) **U.S. Cl.**
USPC **D23/260**

(58) **Field of Classification Search**
USPC D23/262, 268; 137/247.49, 247.51,
137/247.41, 247.47; D4/131; 4/286, 652;
285/360-361, 376, 396, 401-402
See application file for complete search history.

(56) **References Cited**

U.S. PATENT DOCUMENTS

1,338,079 A * 4/1920 Hirst 137/247.47
6,553,583 B1 * 4/2003 Pan 4/286

D567,341 S * 4/2008 Vargas D23/267
D613,828 S * 4/2010 Kinchen D23/260
8,298,417 B2 * 10/2012 Lemay et al. 210/206
D678,481 S * 3/2013 Branco D23/260
8,424,123 B2 * 4/2013 Svensson 4/286
2002/0163194 A1 * 11/2002 Mintz et al. 285/361
2010/0124458 A1 * 5/2010 Munro 404/26

* cited by examiner

Primary Examiner — Eric Goodman

(74) *Attorney, Agent, or Firm* — Rutan & Tucker LLP; Hani
Z. Sayed

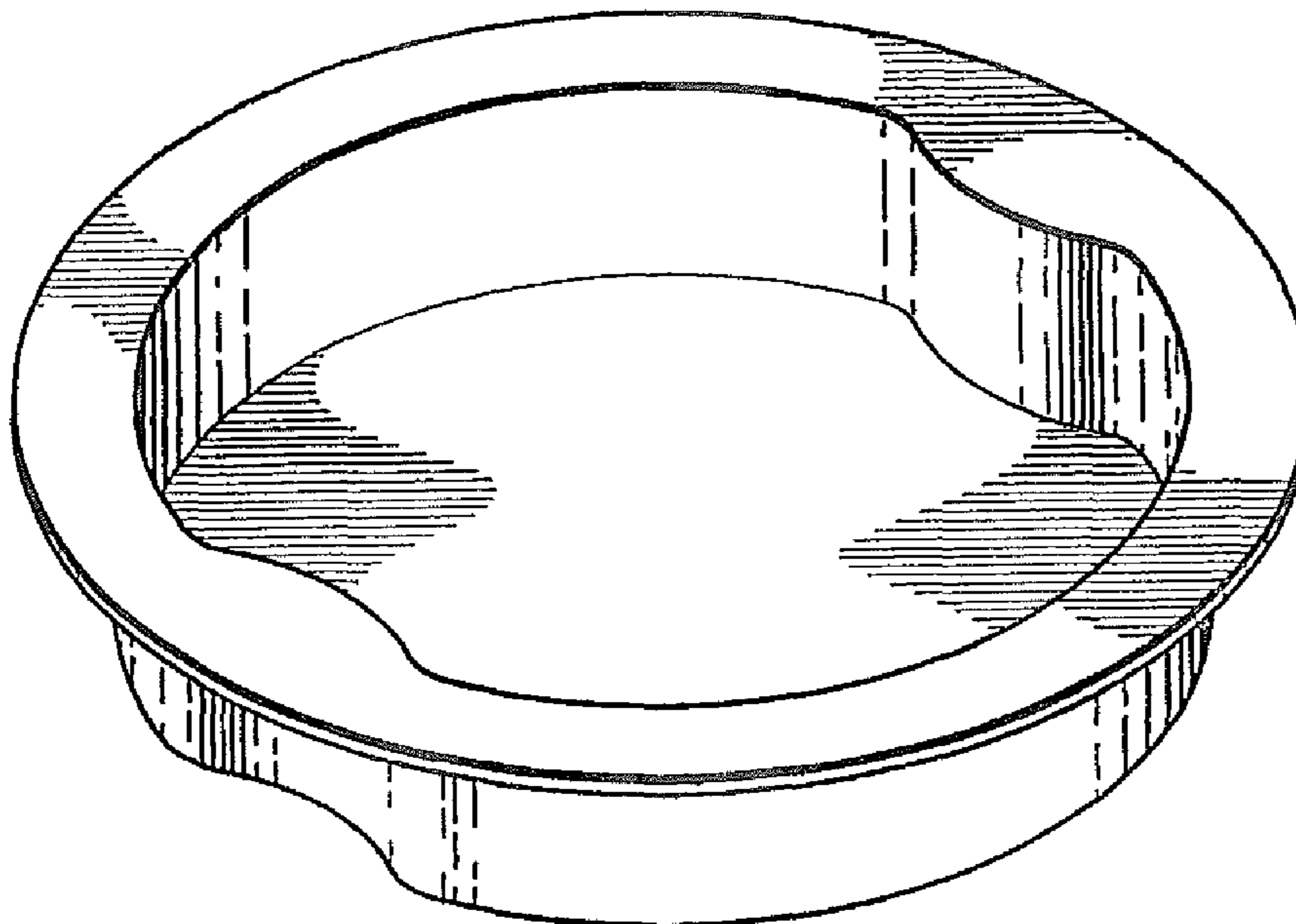
(57) **CLAIM**

The ornamental design for trap hat, as shown and described.

DESCRIPTION

FIG. 1 is a perspective view showing my new design;
FIG. 2 is a side elevation view thereof;
FIG. 3 is a front elevation view thereof;
FIG. 4 is a top plan view thereof; and,
FIG. 5 is a bottom plan view thereof.

1 Claim, 1 Drawing Sheet



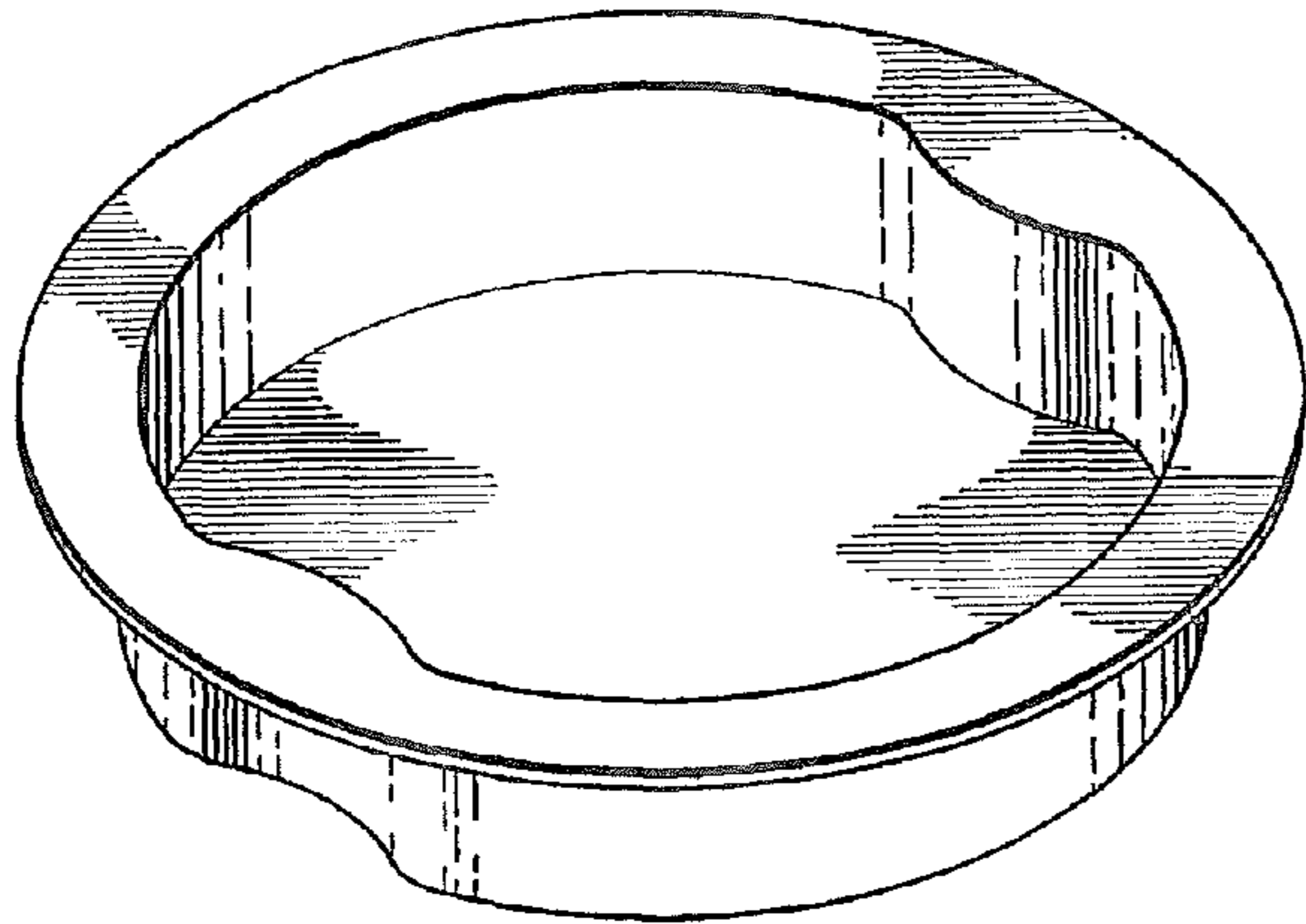


FIG. 1



FIG. 2

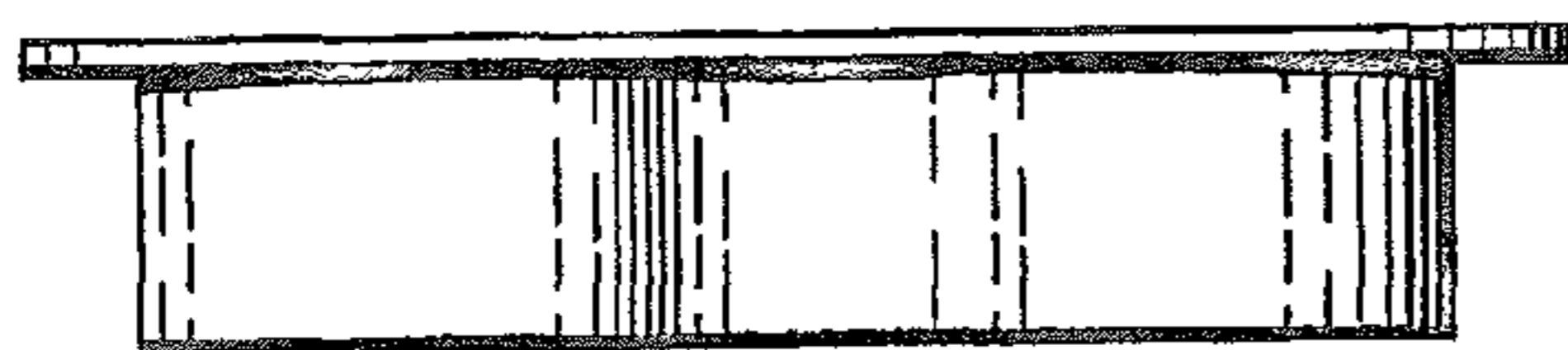


FIG. 3

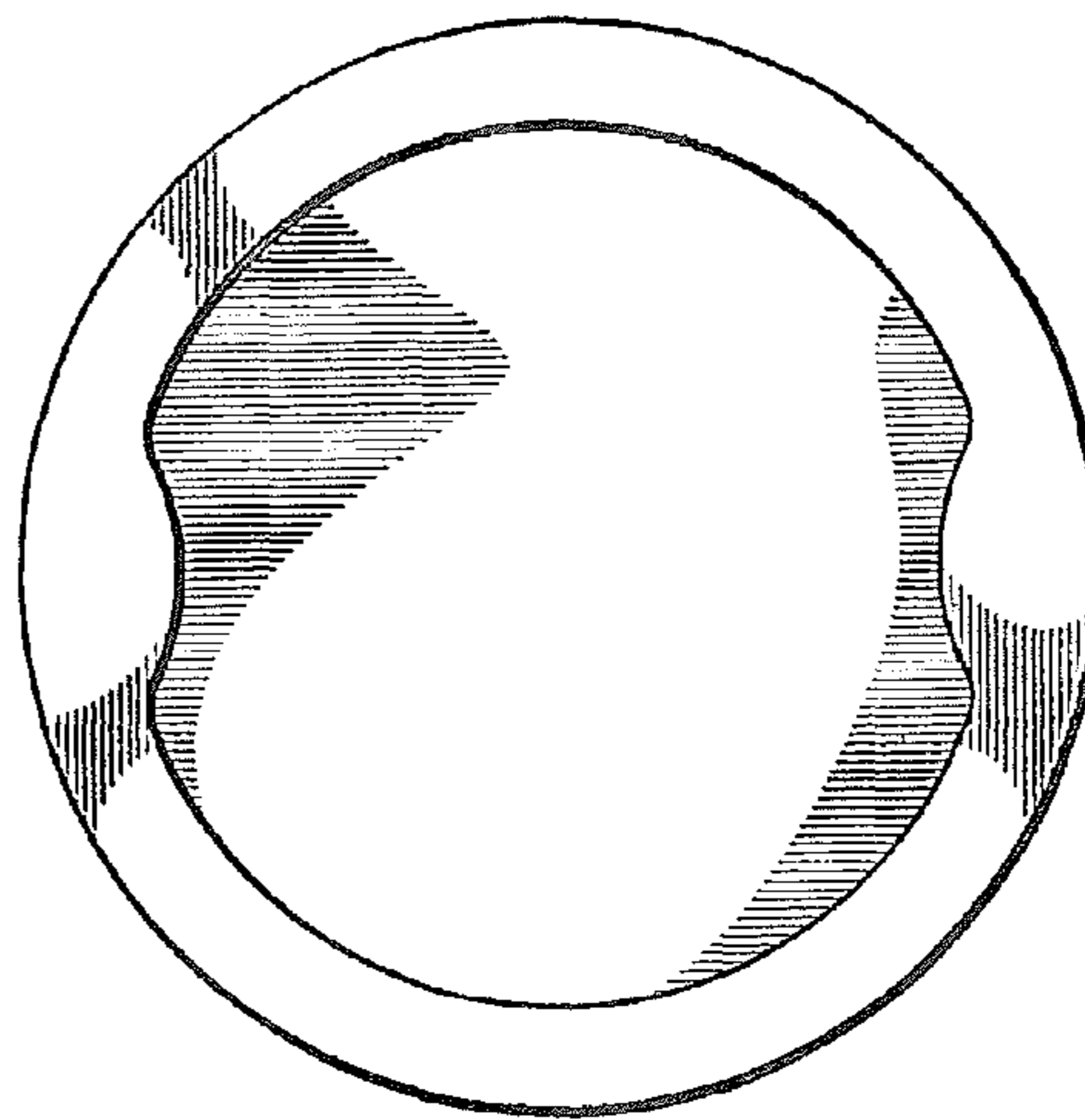


FIG. 4

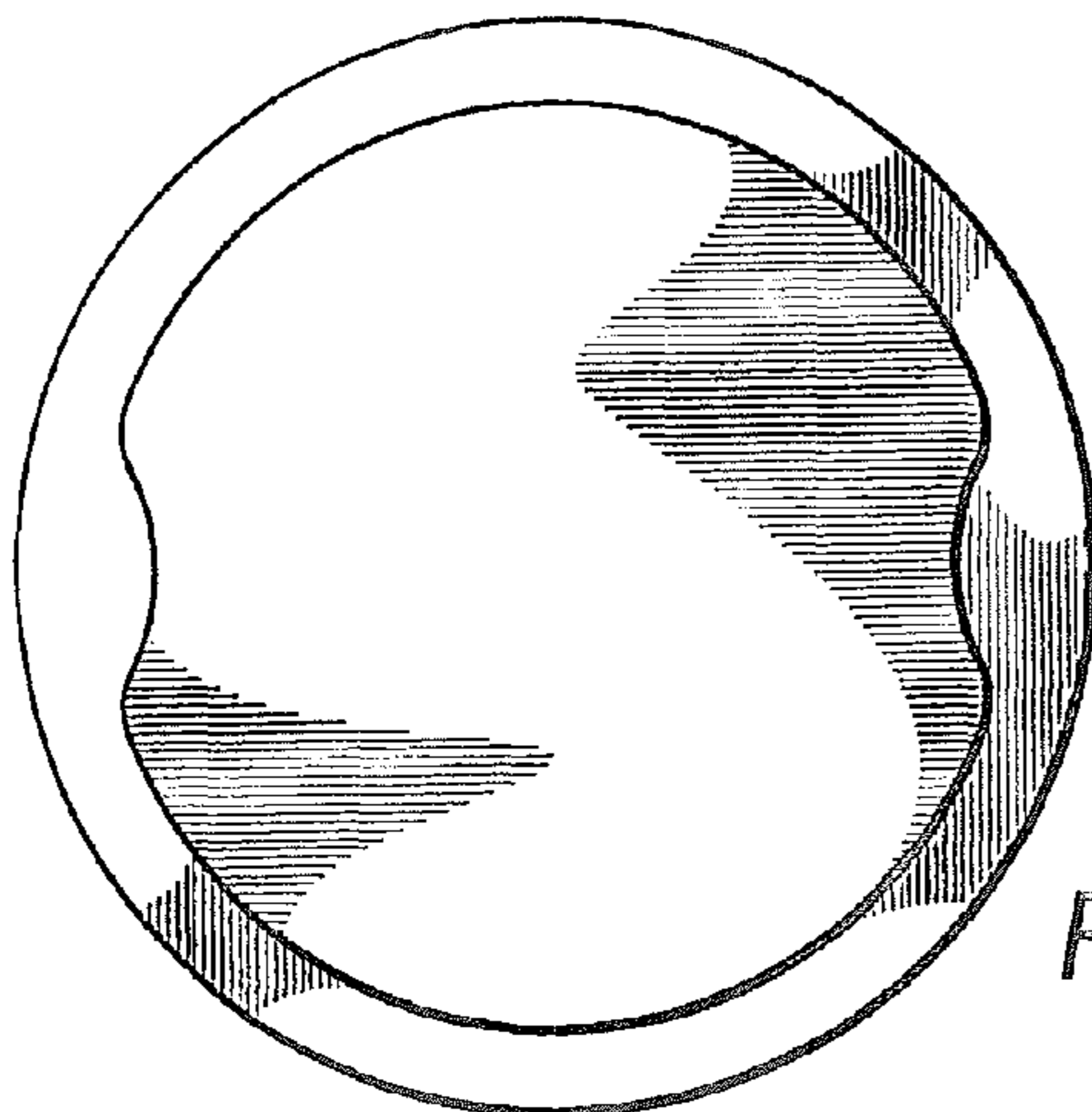


FIG. 5