



US00D694861S

(12) **United States Design Patent**  
**McKeone et al.**

(10) **Patent No.:** **US D694,861 S**  
(45) **Date of Patent:** **\*\* Dec. 3, 2013**

(54) **FAUCET**

(71) Applicant: **Kohler Co.**, Kohler, WI (US)

(72) Inventors: **William C. McKeone**, Sheboygan, WI (US); **Jill Hundley**, Sheboygan, WI (US)

(73) Assignee: **Kohler, Co.**, Kohler, WI (US)

(\*\*) Term: **14 Years**

(21) Appl. No.: **29/455,222**

(22) Filed: **May 17, 2013**

**Related U.S. Application Data**

(62) Division of application No. 29/411,474, filed on Jan. 20, 2012, now Pat. No. Des. 684,242.

(51) **LOC (9) Cl.** ..... **23-01**

(52) **U.S. Cl.**  
USPC ..... **D23/255**

(58) **Field of Classification Search**  
USPC ..... D23/238.25, 252, 255, 257; 4/675-678;  
137/801; 16/110.1

See application file for complete search history.

(56) **References Cited**

U.S. PATENT DOCUMENTS

D620,558 S 7/2010 Krumpe  
D665,052 S 8/2012 Wang  
D665,877 S 8/2012 Fritz

*Primary Examiner* — Robert Delehanty

(74) *Attorney, Agent, or Firm* — Foley & Lardner LLP.

(57) **CLAIM**

We claim the ornamental design for a faucet, as shown and described.

**DESCRIPTION**

FIG. 1 is a front isometric view of an embodiment of the claimed design;

FIG. 2 is a left-side view of the claimed design of FIG. 1;

FIG. 3 is a right-side view of the claimed design of FIG. 1;

FIG. 4 is a rear view of the claimed design of FIG. 1;

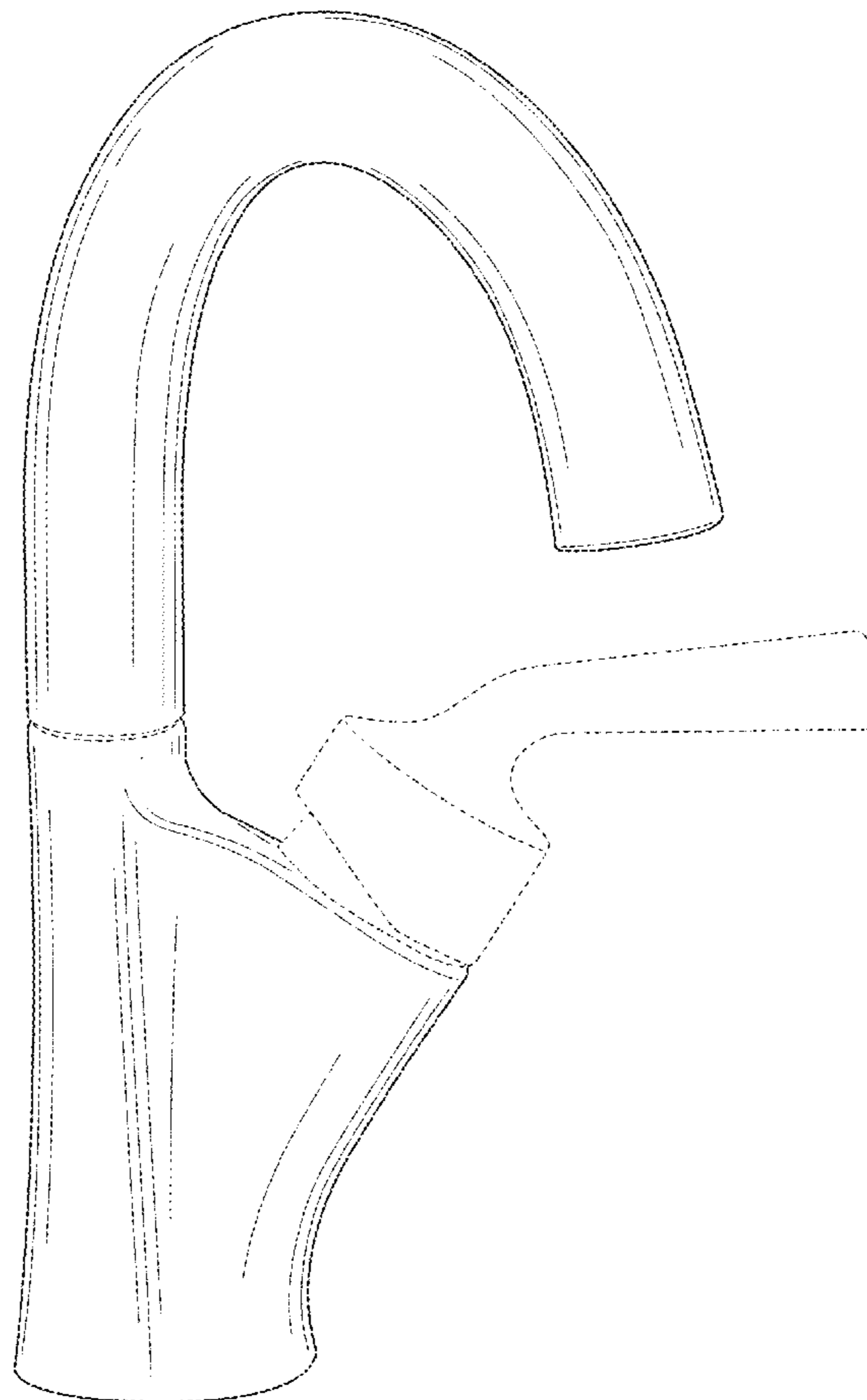
FIG. 5 is a front view of the claimed design of FIG. 1;

FIG. 6 is a top plan view of the claimed design of FIG. 1; and,

FIG. 7 is a bottom plan view of the claimed design of FIG. 1.

The ornamental design which is claimed is shown in solid lines in the drawings. The broken lines in the drawings are for illustrative purposes only and form no part of the claimed design.

**1 Claim, 7 Drawing Sheets**



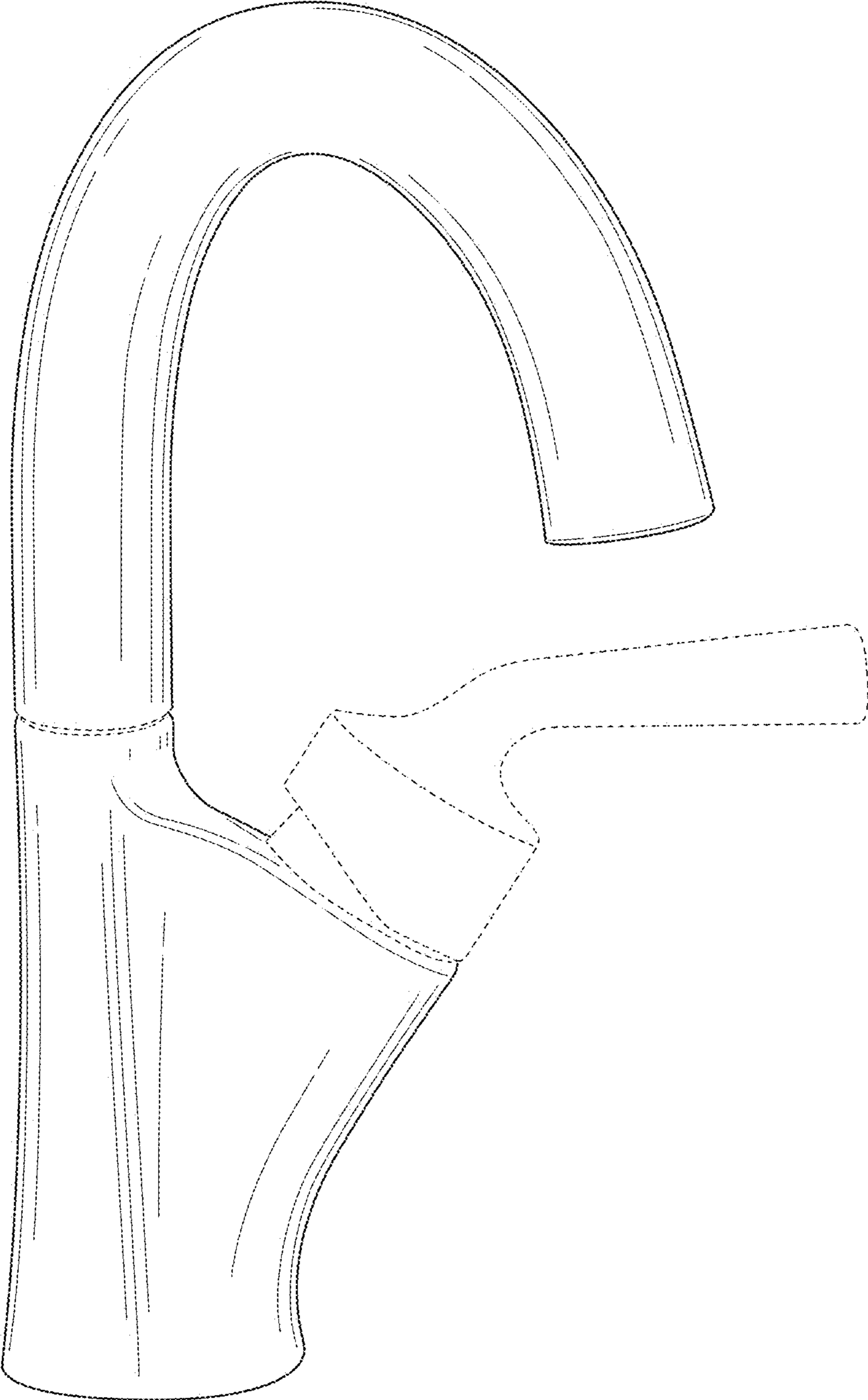


FIG. 1

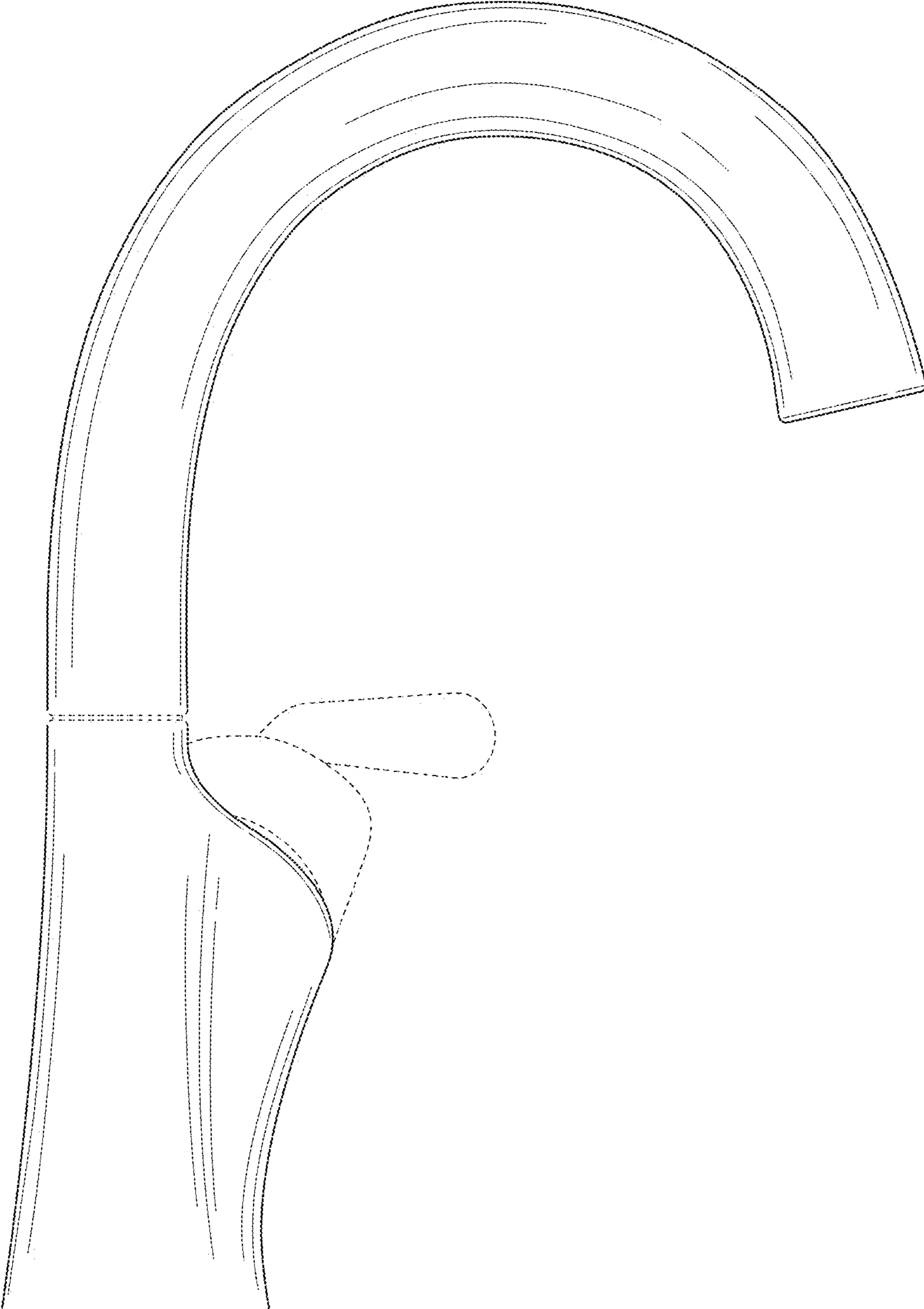


FIG. 2

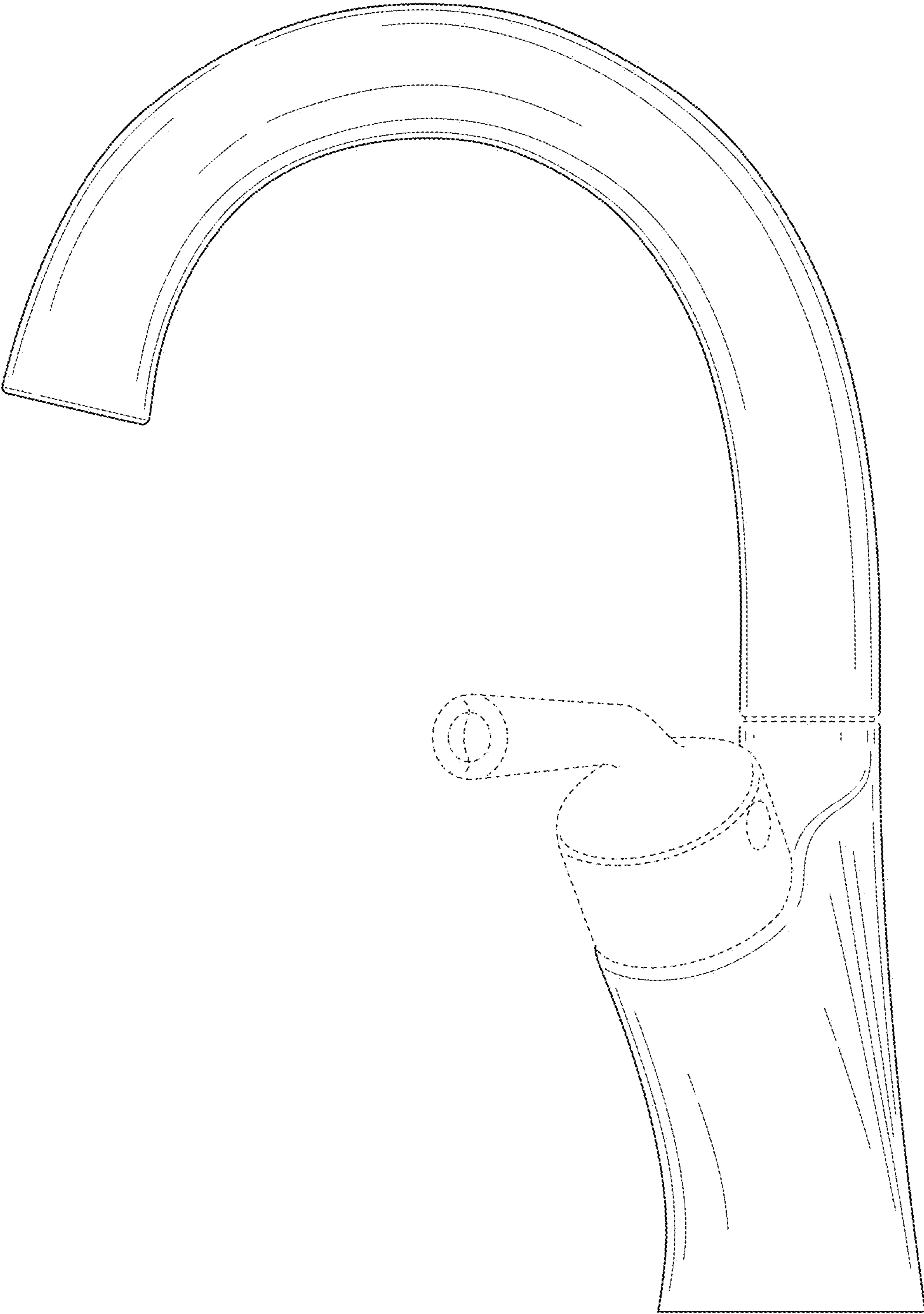


FIG. 3

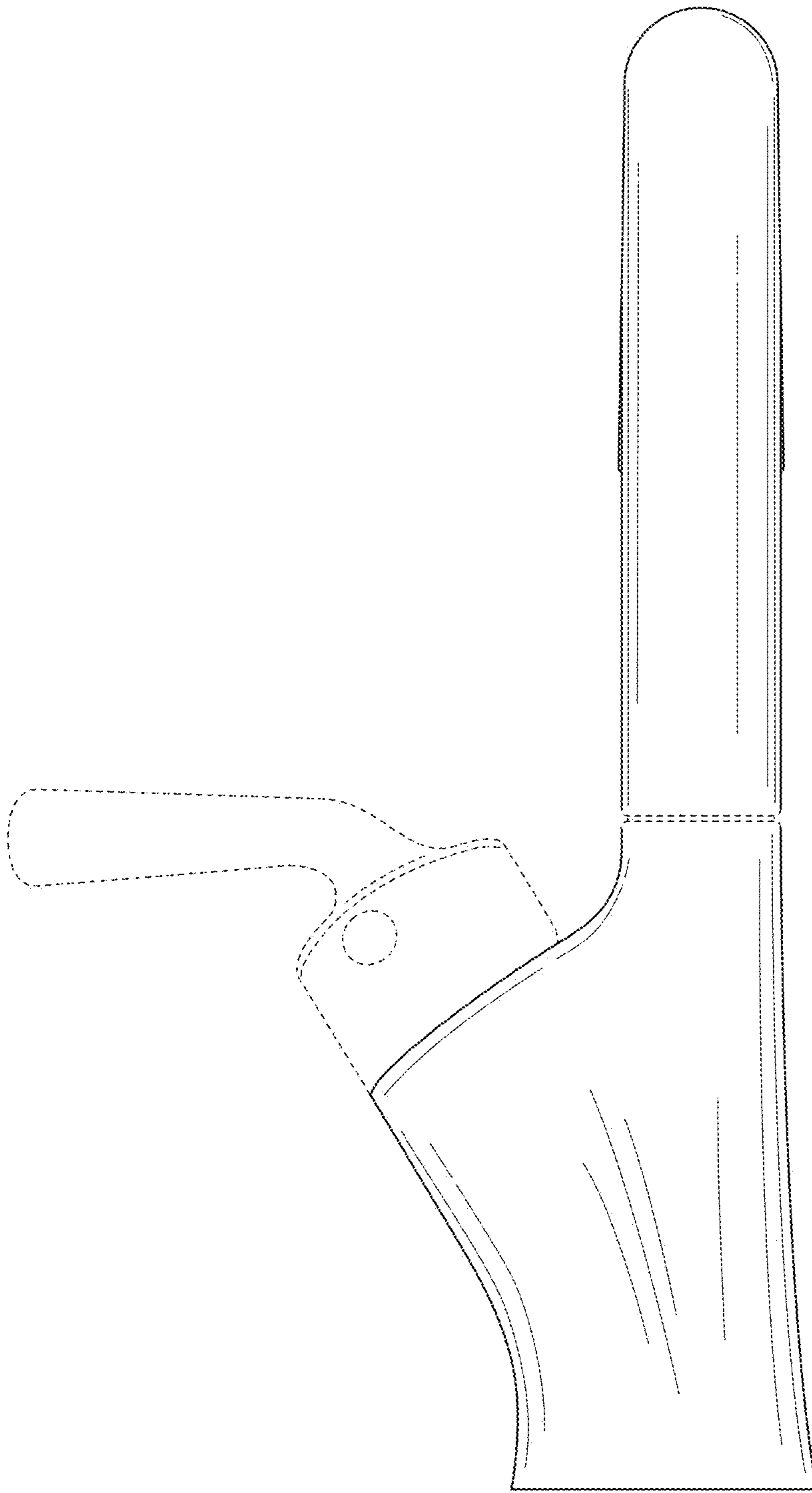


FIG. 4

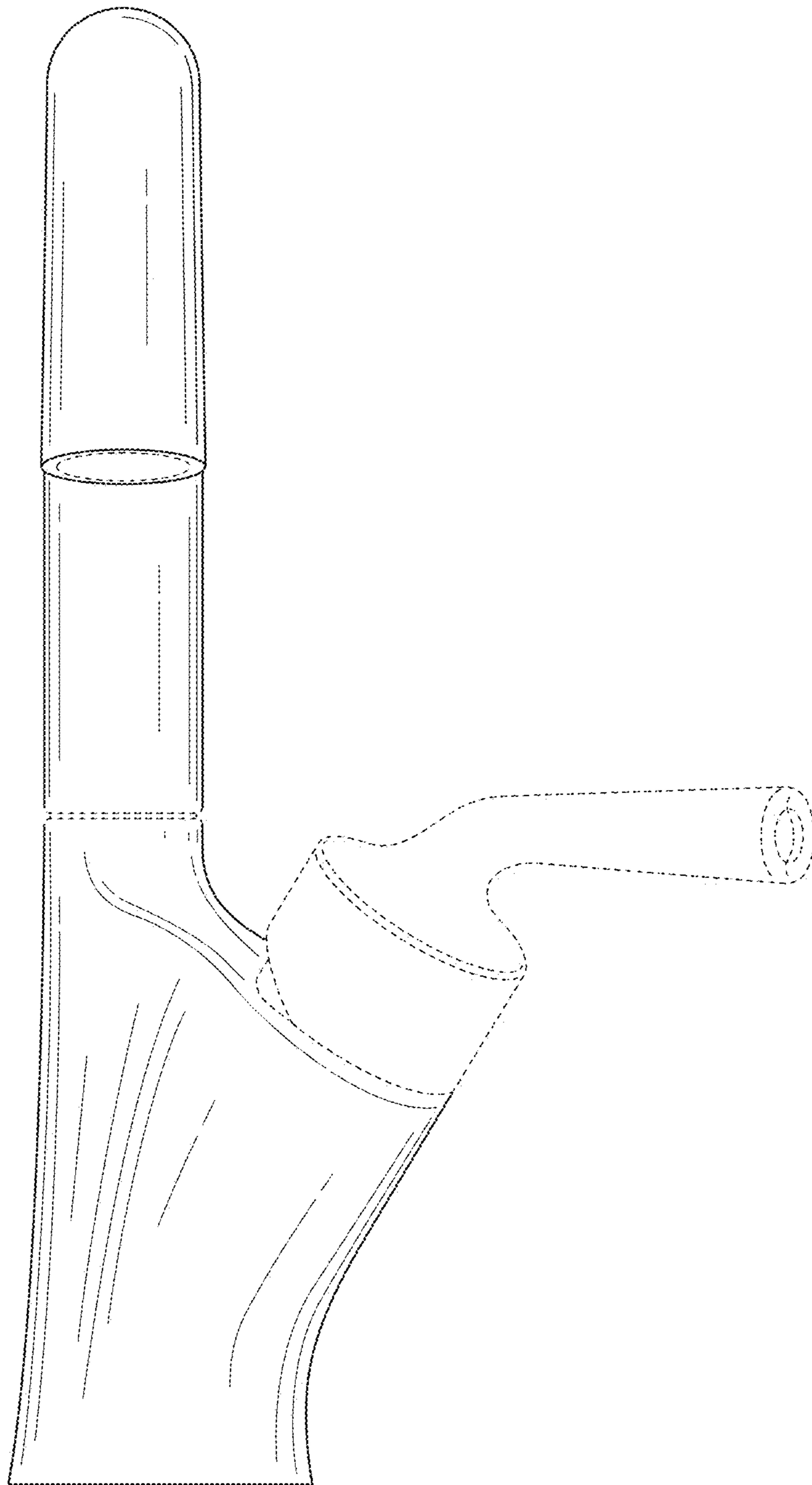


FIG. 5

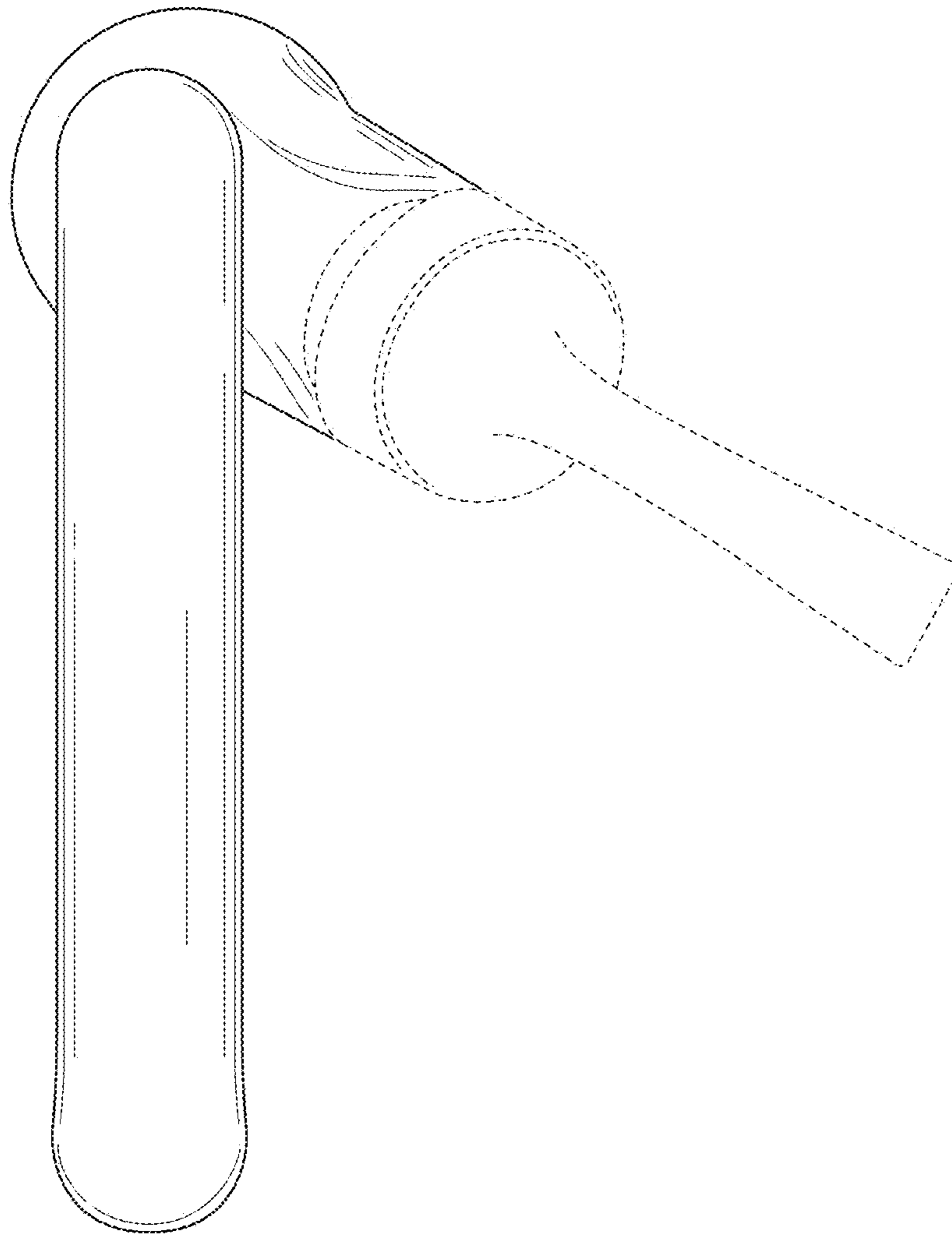
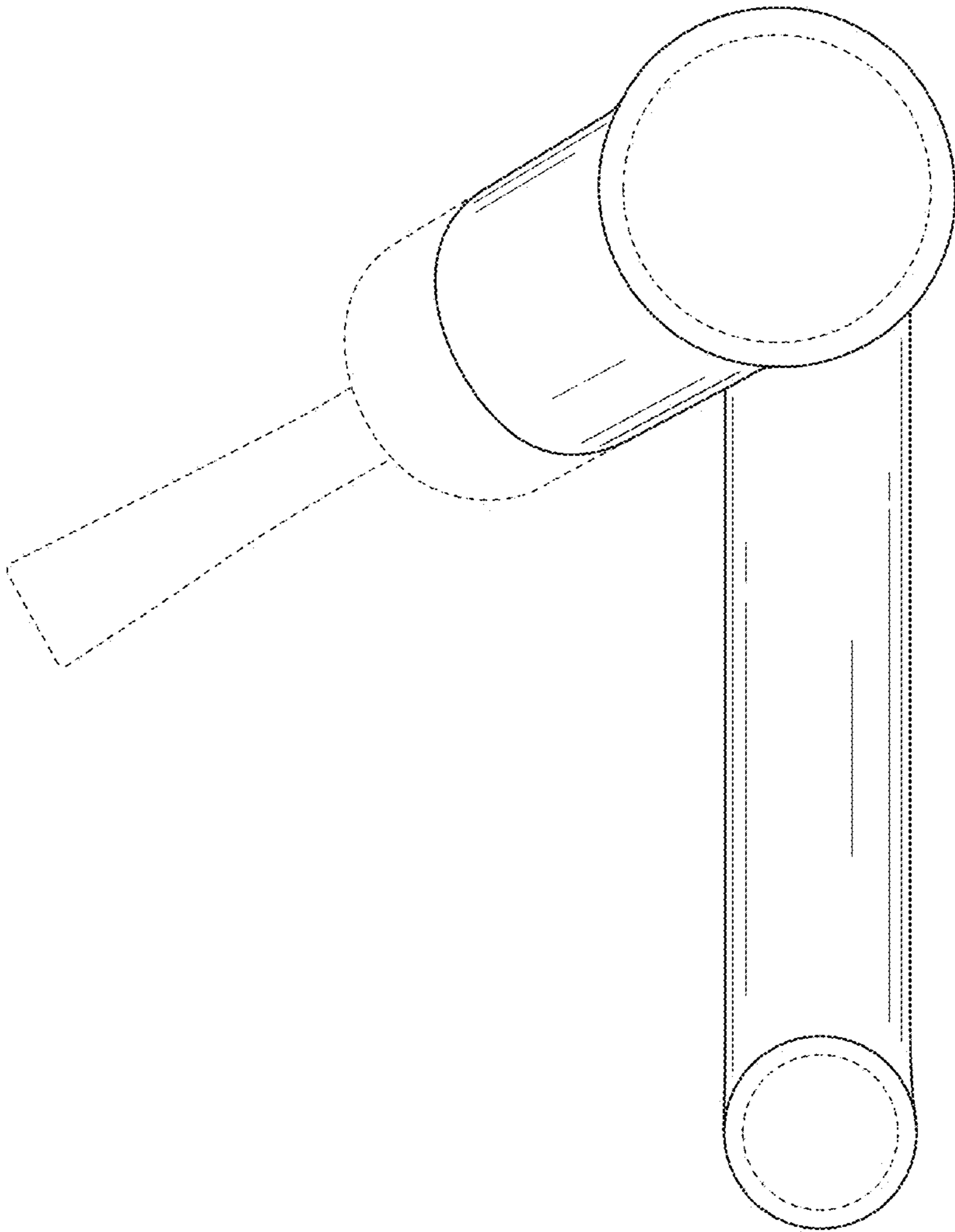


FIG. 6



**FIG. 7**