



US00D694859S

(12) **United States Design Patent**
Lammel et al.

(10) **Patent No.:** **US D694,859 S**

(45) **Date of Patent:** **** Dec. 3, 2013**

(54) **KITCHEN TAP**

(71) Applicants: **Michael Lammel**, Aachen (DE);
Michael Zeisel, Aachen (DE)

(72) Inventors: **Michael Lammel**, Aachen (DE);
Michael Zeisel, Aachen (DE)

(73) Assignee: **Hansa Metallwerke AG** (DE)

(**) Term: **14 Years**

(21) Appl. No.: **29/440,874**

(22) Filed: **Dec. 28, 2012**

(30) **Foreign Application Priority Data**

Jun. 29, 2012 (EM) 002066332-0006

(51) **LOC (9) Cl.** **23-01**

(52) **U.S. Cl.**
USPC **D23/238**

(58) **Field of Classification Search**
USPC D23/238, 241-243, 250.255, 257, 252;
4/675-678; 137/801

See application file for complete search history.

(56) **References Cited**

U.S. PATENT DOCUMENTS

D644,300 S * 8/2011 Yokoyama et al. D23/238
D649,225 S * 11/2011 Flowers et al. D23/238
D661,375 S * 6/2012 Citterio D23/252
D662,183 S * 6/2012 Sieger D23/238

* cited by examiner

Primary Examiner — Robert Delehanty

(74) *Attorney, Agent, or Firm* — Factor Intellectual Property Law Group, Ltd.

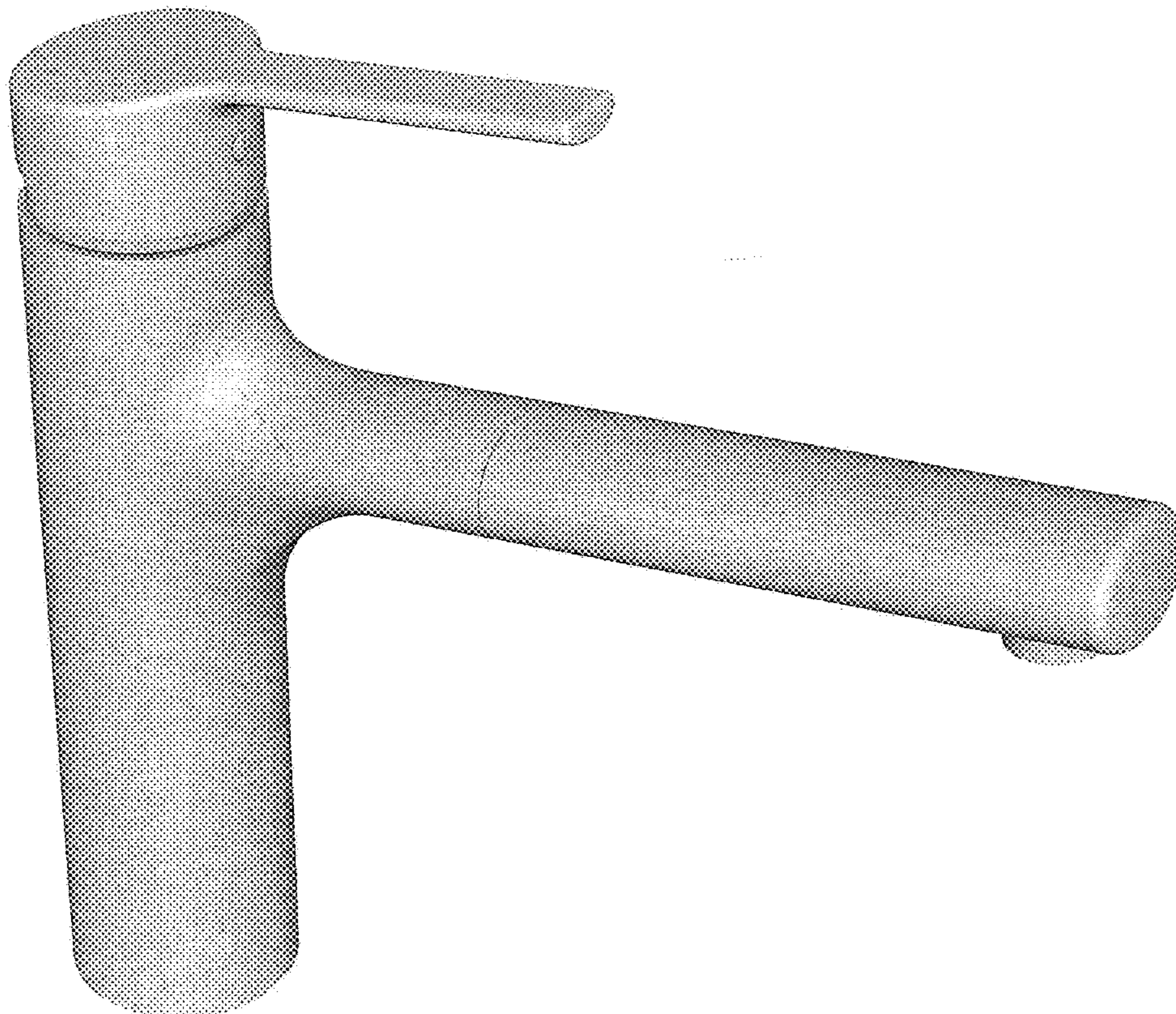
(57) **CLAIM**

The ornamental design for a kitchen tap, as shown and described.

DESCRIPTION

FIG. 1 is a front view of the kitchen tap showing a new ornamental design thereof;
FIG. 2 is a left side view (when viewed from the front) of the kitchen tap shown in FIG. 1;
FIG. 3 is a right side view (when viewed from the front) of the kitchen tap shown in FIG. 1;
FIG. 4 is a back view of the kitchen tap shown in FIG. 1;
FIG. 5 is a top view of the kitchen tap shown in FIG. 1;
FIG. 6 is bottom view of the kitchen tap shown in FIG. 1; and,
FIG. 7 is a left side perspective view of the kitchen tap shown in FIG. 1.

1 Claim, 7 Drawing Sheets



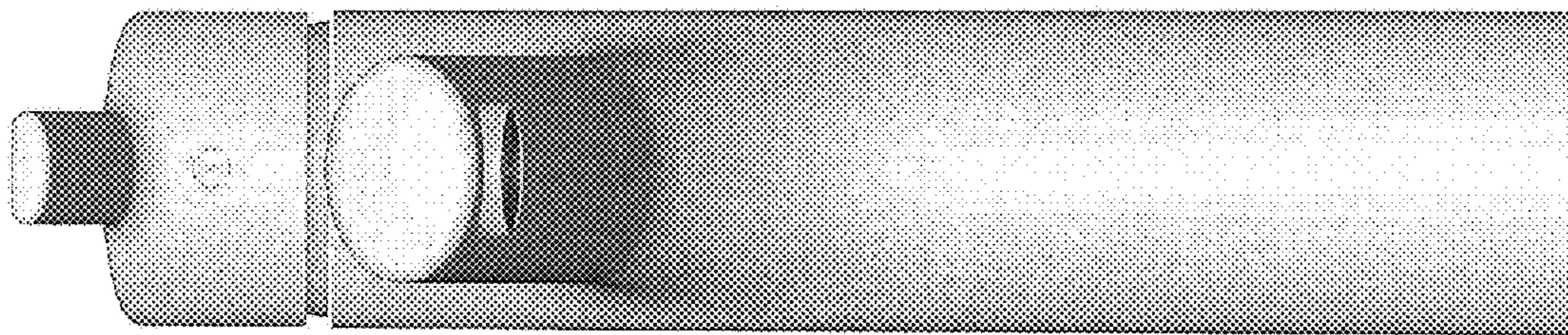


FIG. 1

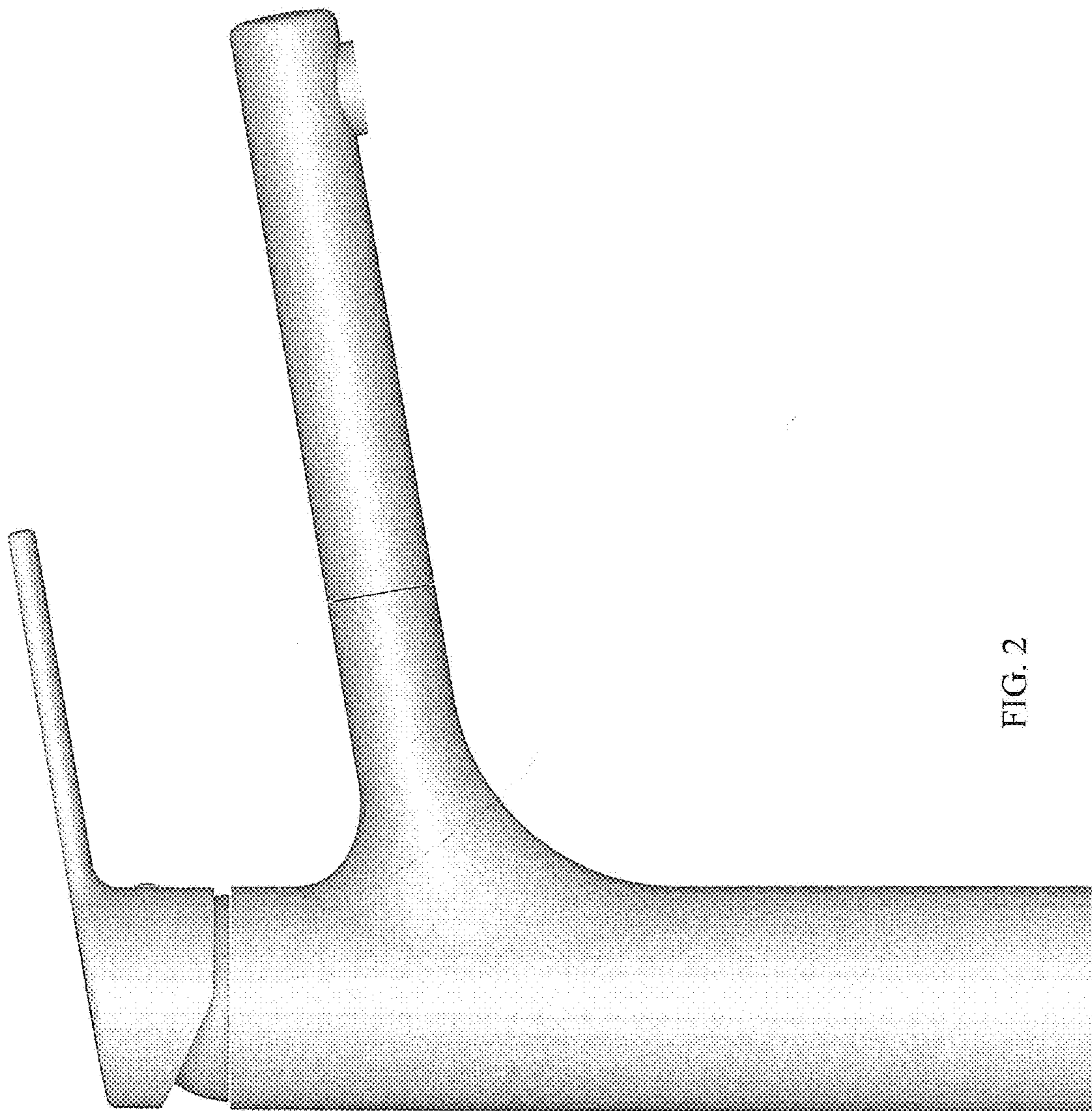


FIG. 2

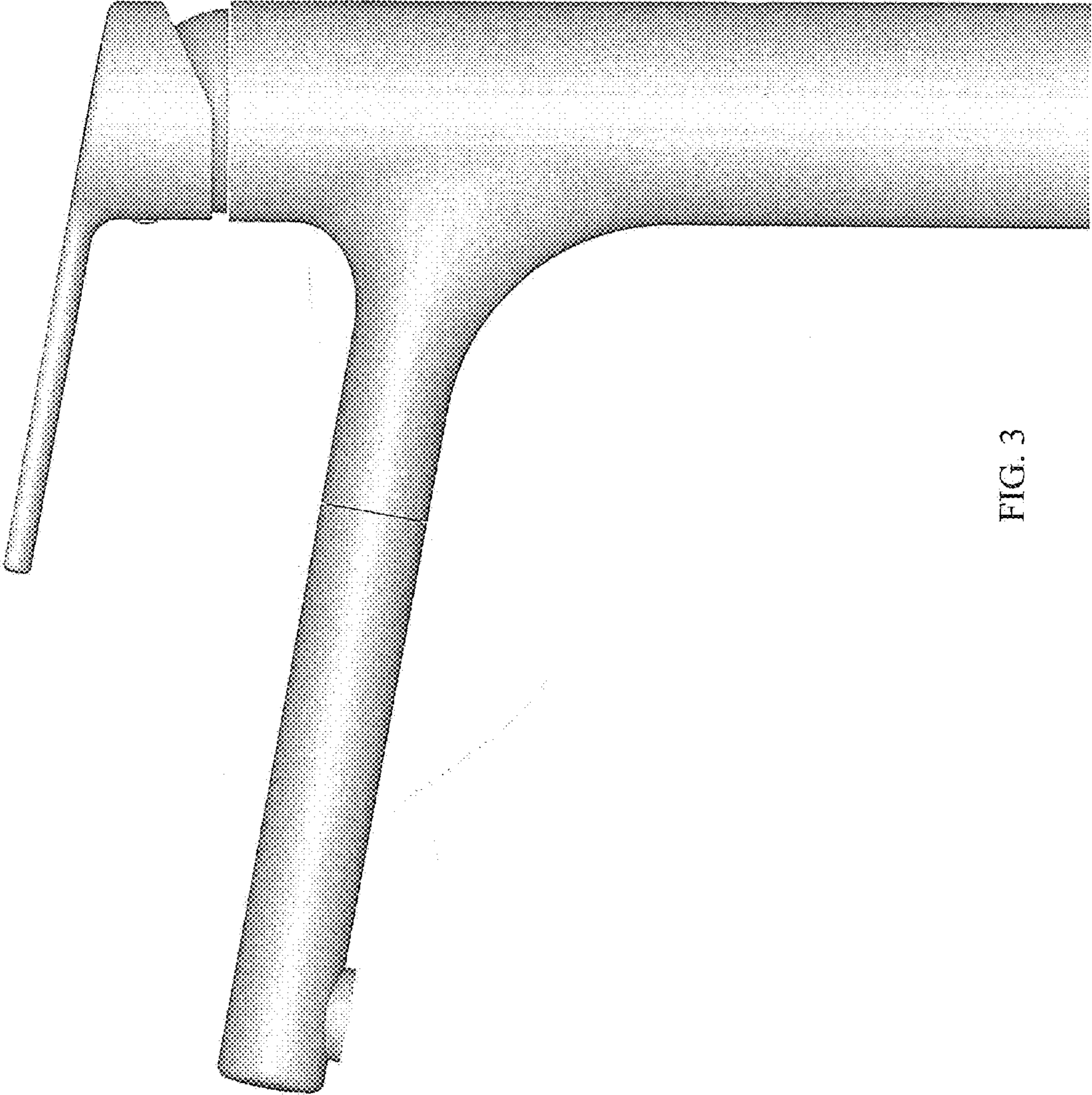


FIG. 3

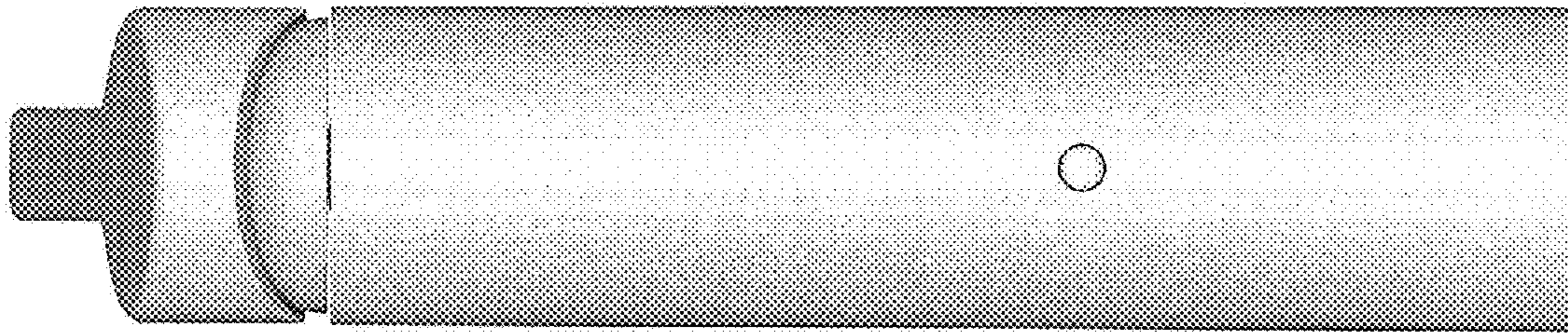


FIG. 4

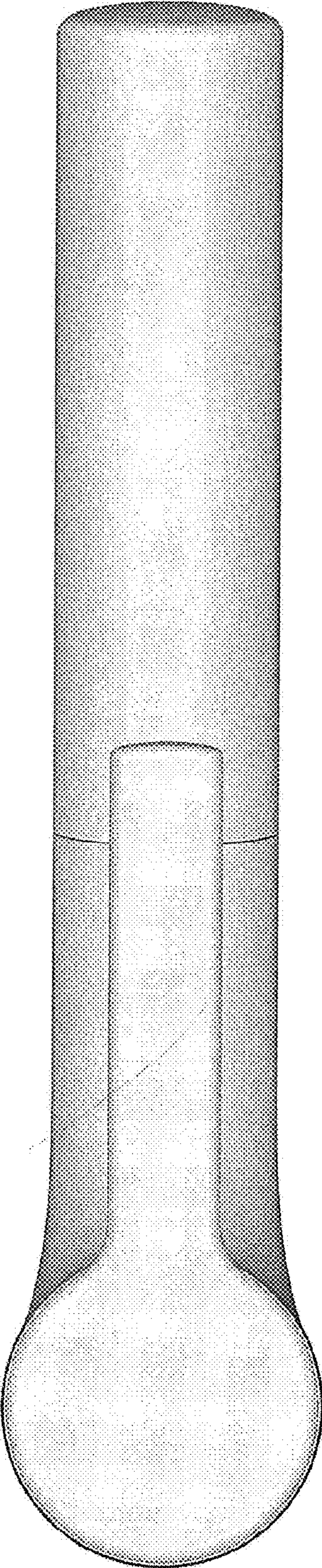


FIG. 5

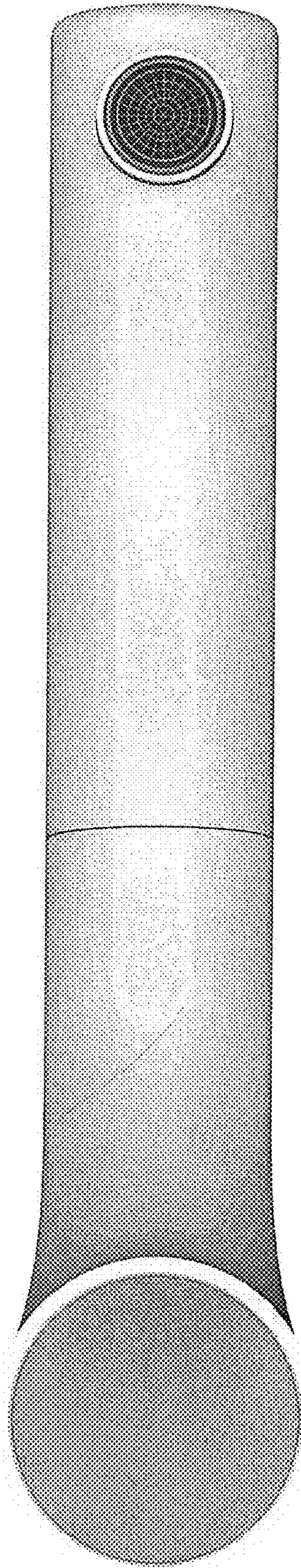


FIG. 6

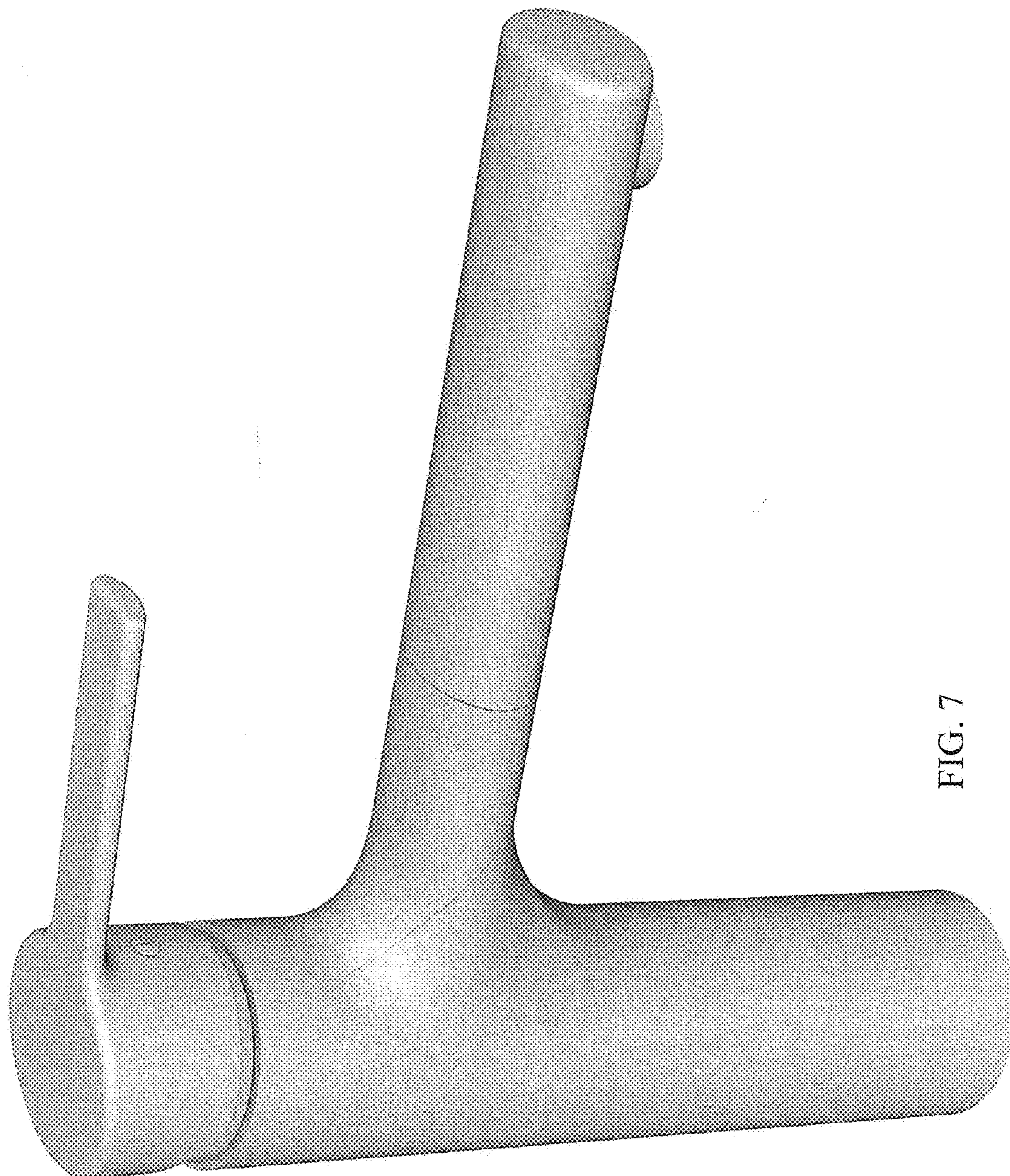


FIG. 7