

US00D694857S

(12) **United States Design Patent**
Au

(10) **Patent No.:** **US D694,857 S**
(45) **Date of Patent:** **** Dec. 3, 2013**

(54) **UNIVERSAL STEAM RELEASE VALVE**

Primary Examiner — Cynthia Ramirez

(76) Inventor: **Sin Ting Au**, Kowloon (HK)

(57) **CLAIM**

The ornamental design for an universal steam release valve, as shown and described.

(**) Term: **14 Years**

(21) Appl. No.: **29/422,914**

DESCRIPTION

(22) Filed: **May 24, 2012**

(51) **LOC (9) Cl.** **23-01**

(52) **U.S. Cl.**
USPC **D23/233**

(58) **Field of Classification Search**
USPC D23/233–237, 244–249; 251/315.01,
251/286, 174, 181, 180, 175, 192
See application file for complete search history.

FIG. 1 is a front elevational view of an universal steam release valve showing my new design;
FIG. 2 is a rear elevational view thereof;
FIG. 3 is a left side view thereof;
FIG. 4 is a right side view thereof;
FIG. 5 is a top plan view thereof;
FIG. 6 is a bottom plan view thereof;
FIG. 7 is a perspective view thereof;
FIG. 8 is a front elevational view of an universal steam release valve of my new design in steam release position;
FIG. 9 is a rear elevation thereof;
FIG. 10 is a left side view thereof;
FIG. 11 is a right side view thereof;
FIG. 12 is a top plan view thereof;
FIG. 13 is a bottom view thereof; and,
FIG. 14 is a perspective view thereof.

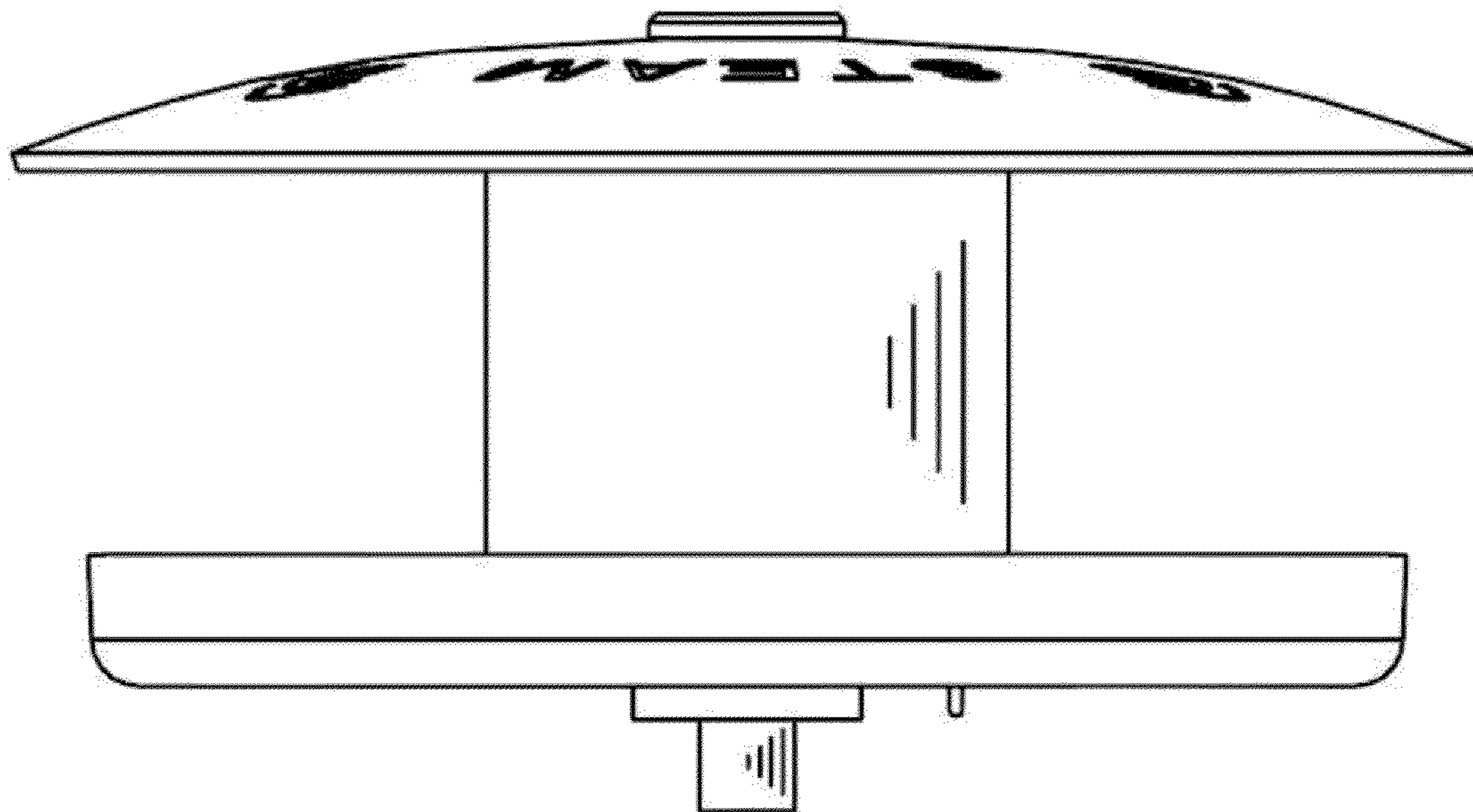
(56) **References Cited**

U.S. PATENT DOCUMENTS

3,157,191	A	*	11/1964	Garrett et al.	137/332
D235,641	S	*	7/1975	Erickson	D23/249
D235,642	S	*	7/1975	Erickson	D23/249
D687,927	S	*	8/2013	Ma	D23/233

* cited by examiner

1 Claim, 8 Drawing Sheets



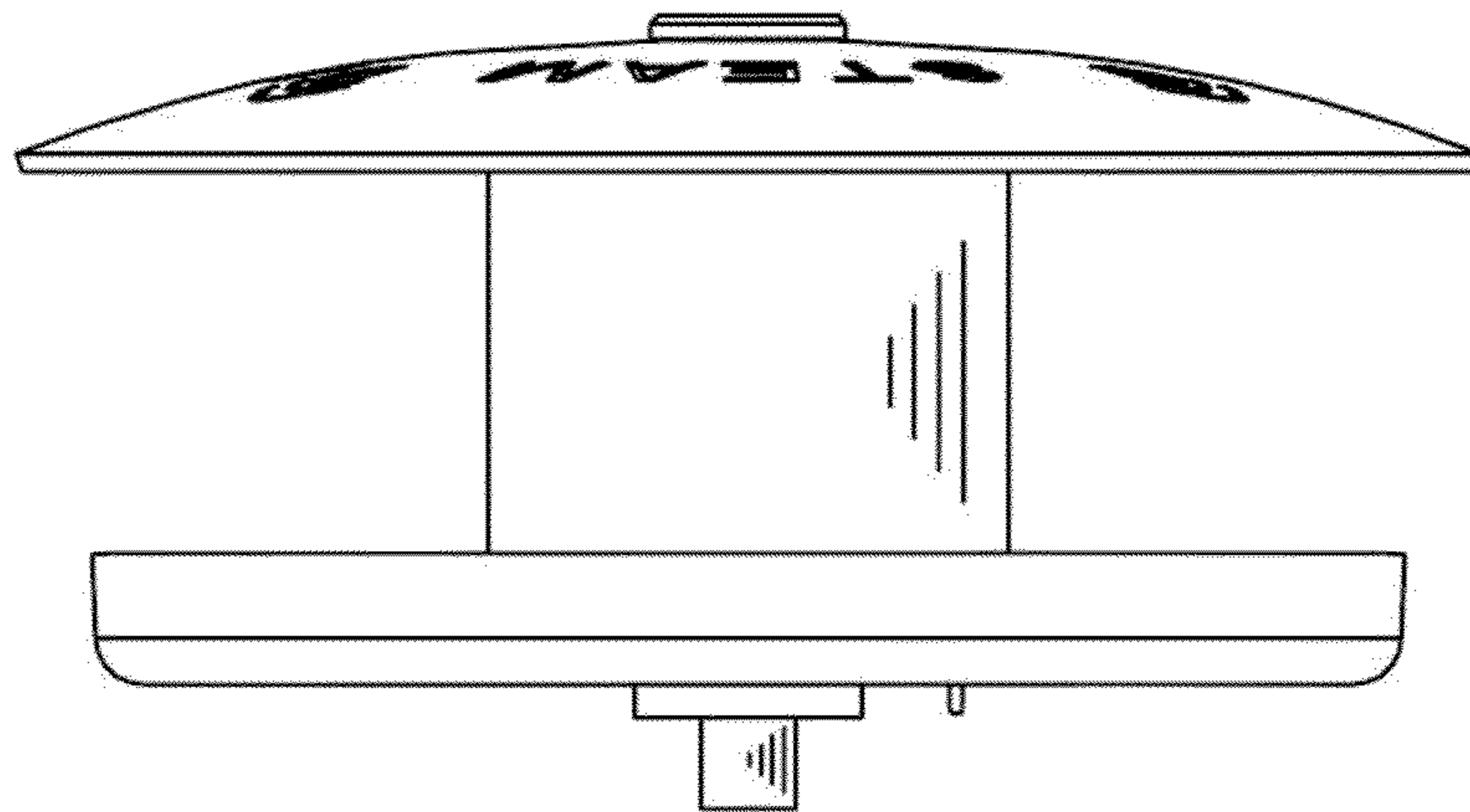


FIG. 1

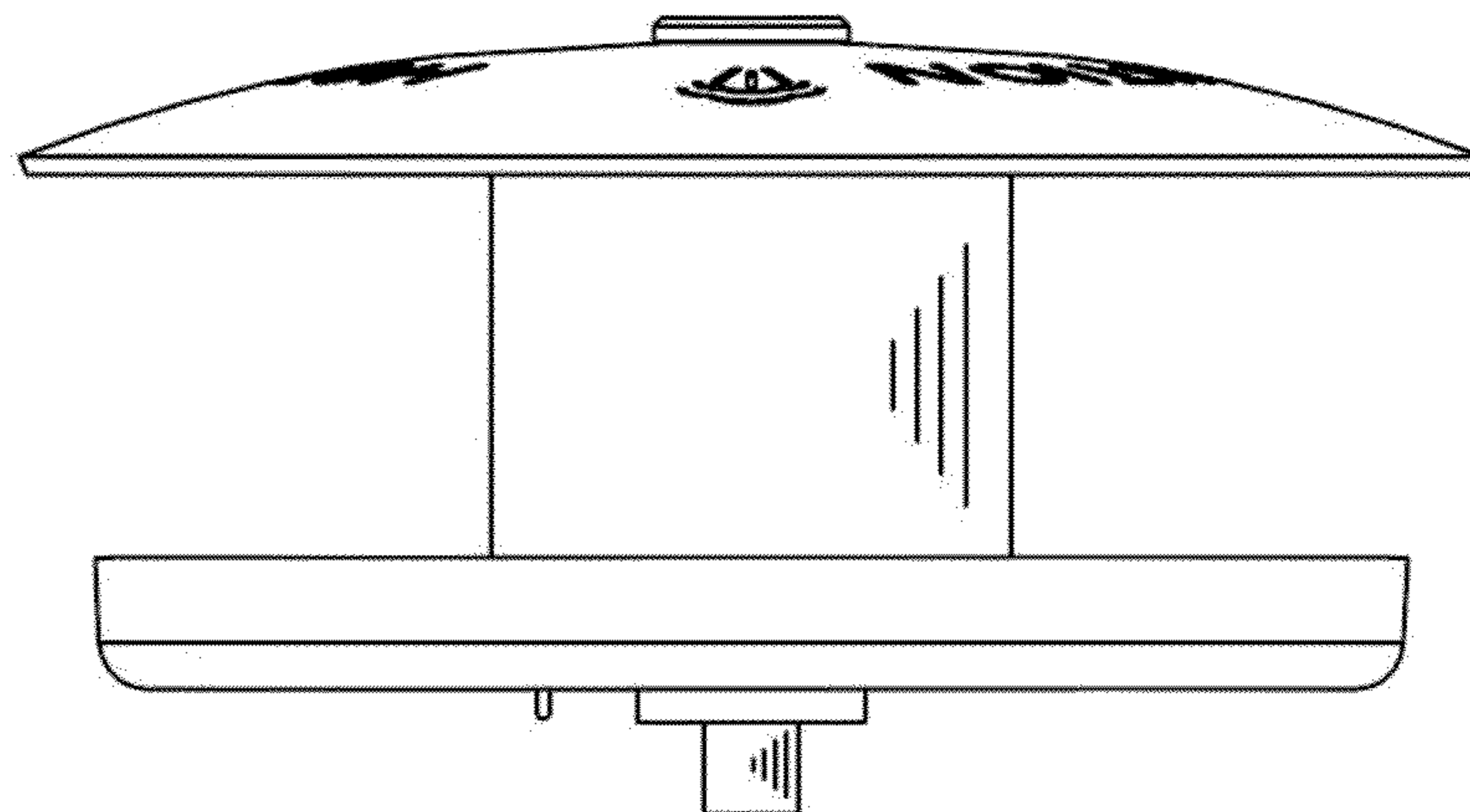


FIG. 2

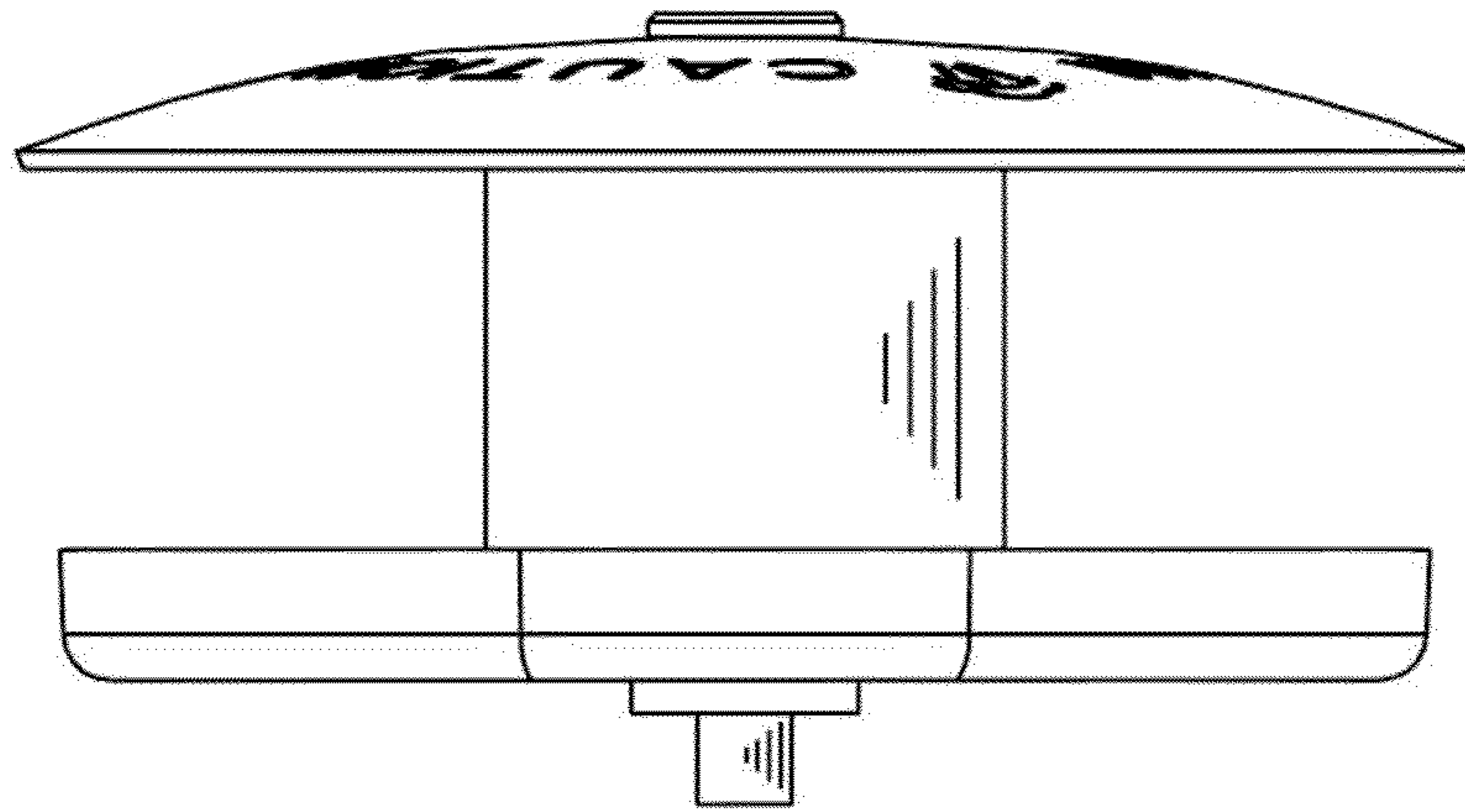


FIG. 3

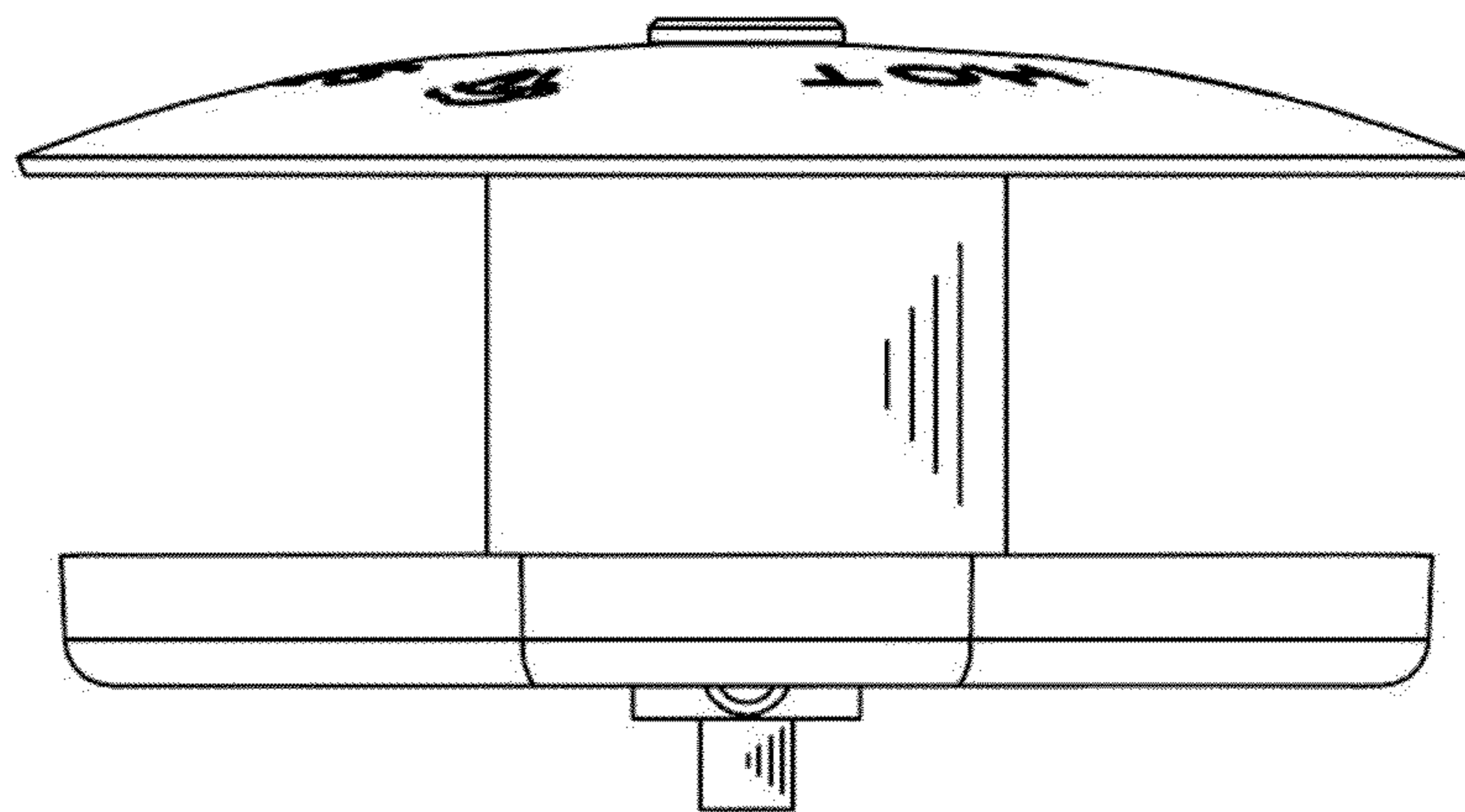


FIG. 4

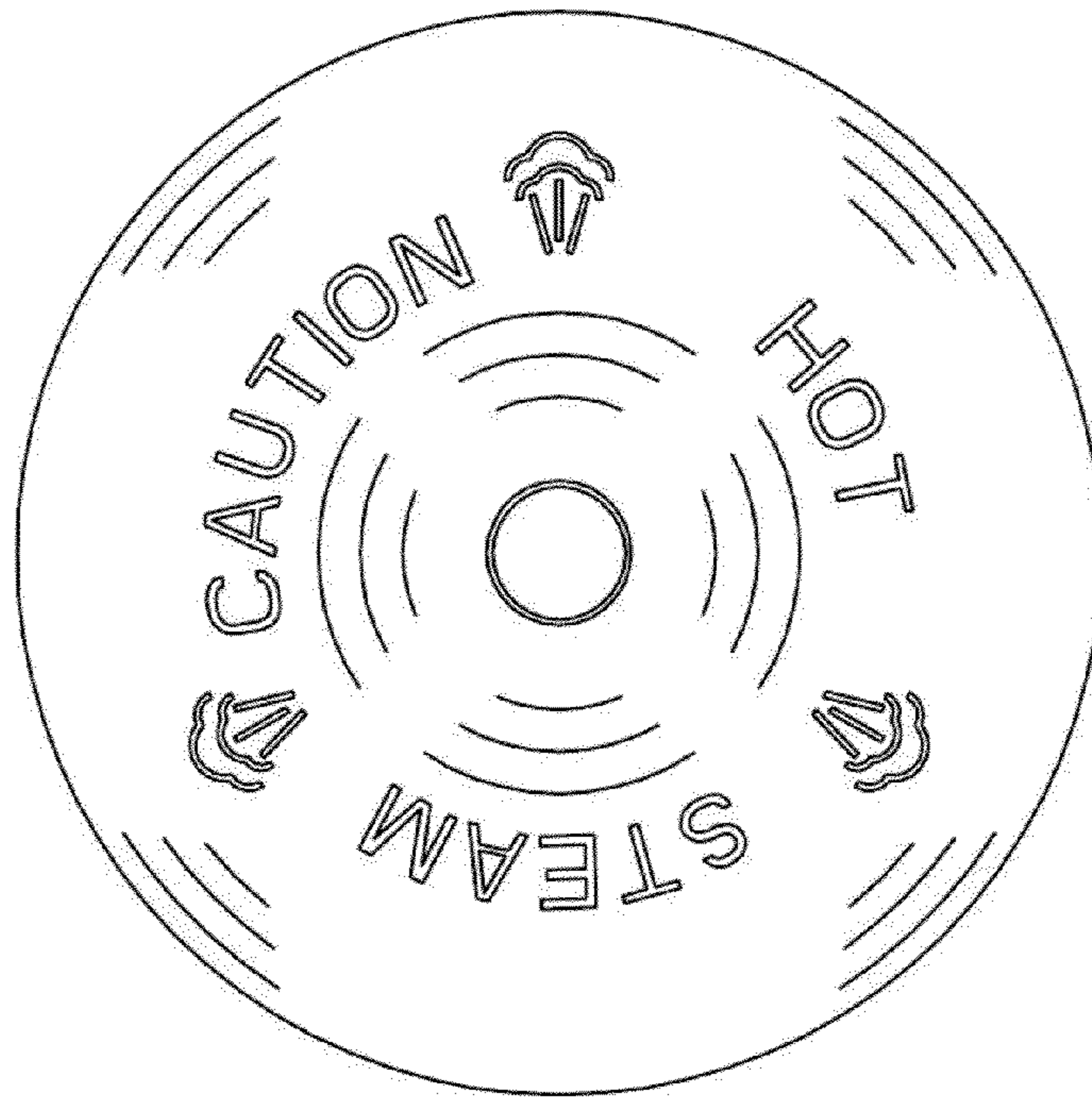


FIG. 5

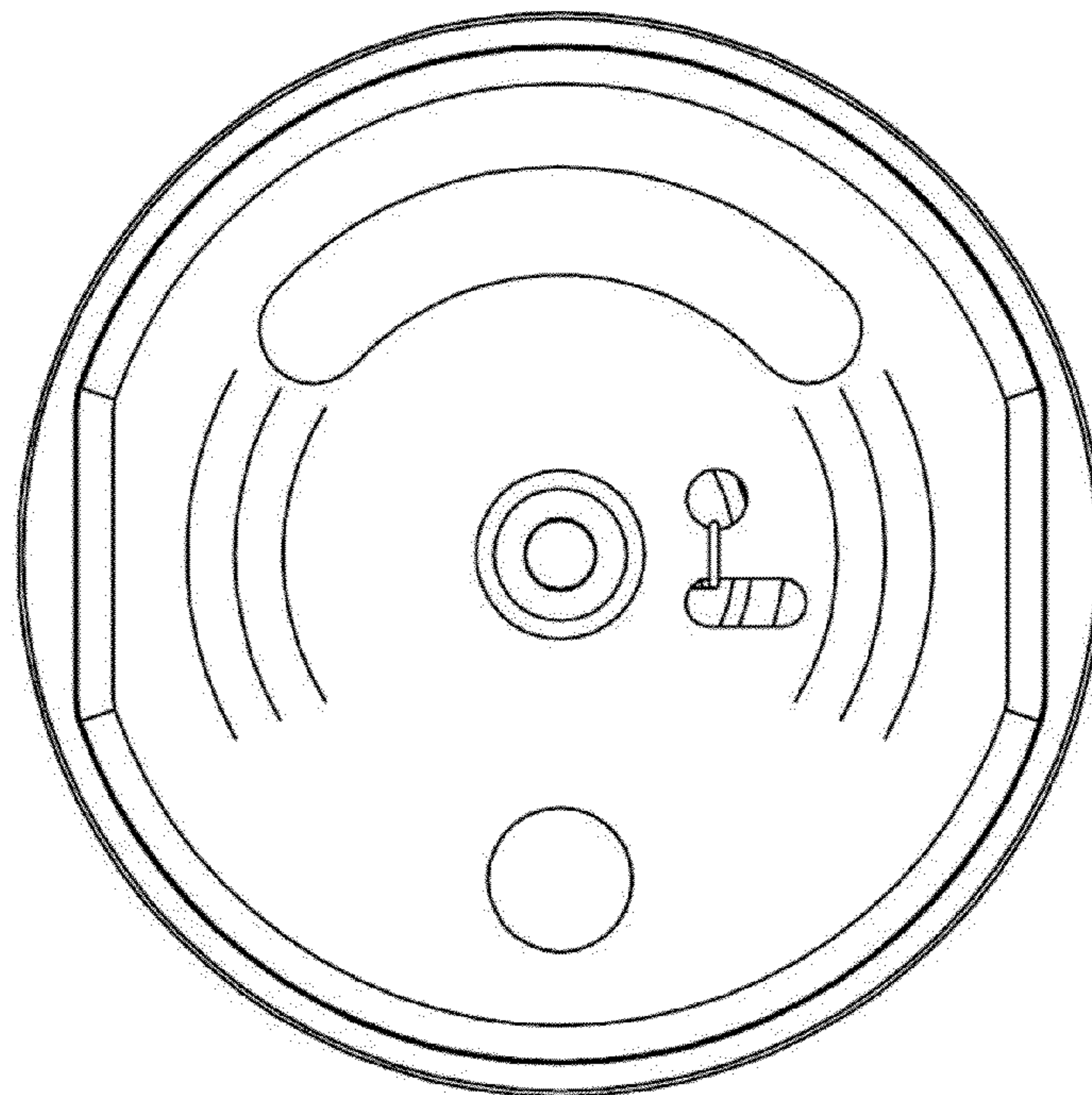


FIG. 6

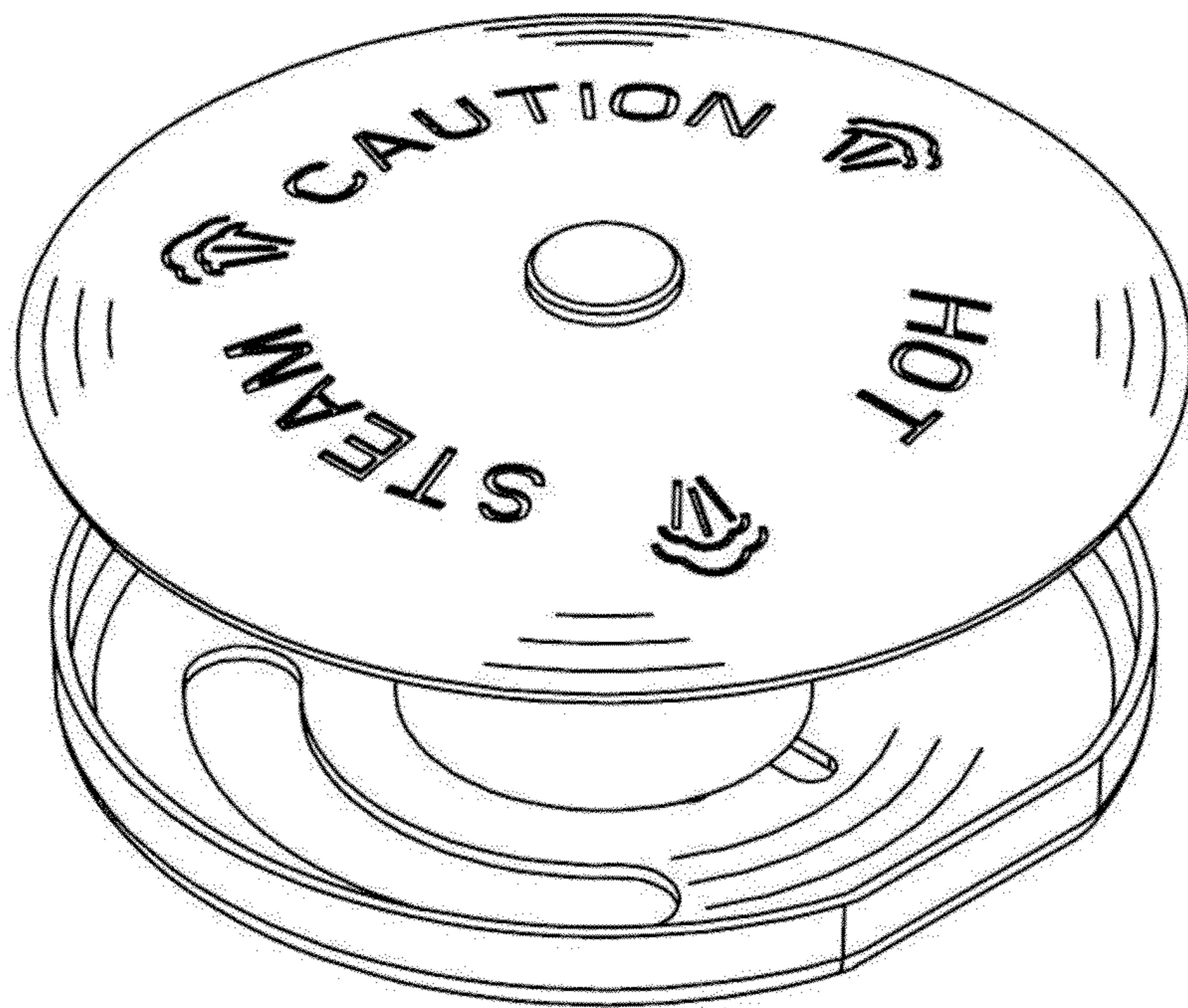


FIG. 7

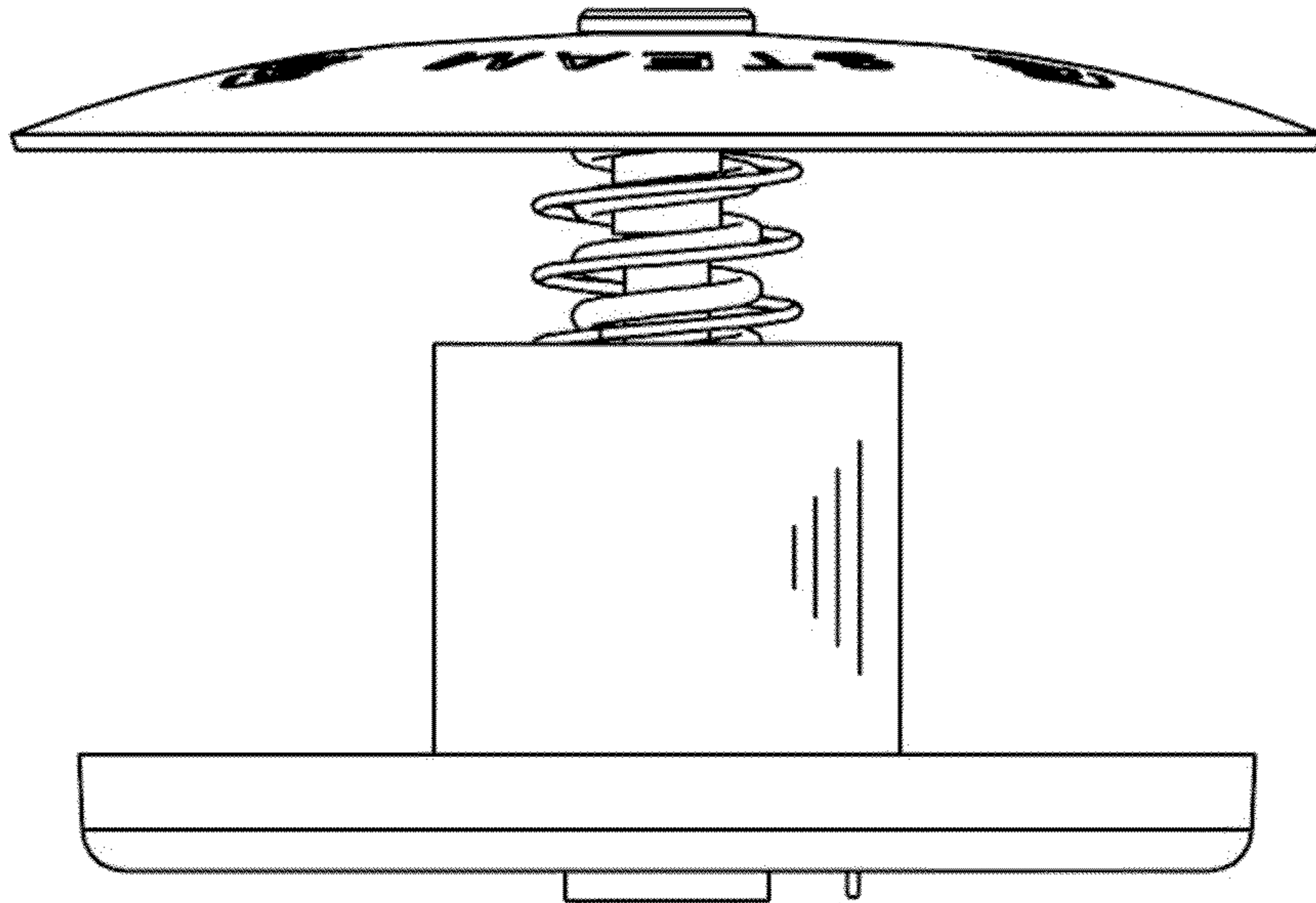


FIG. 8

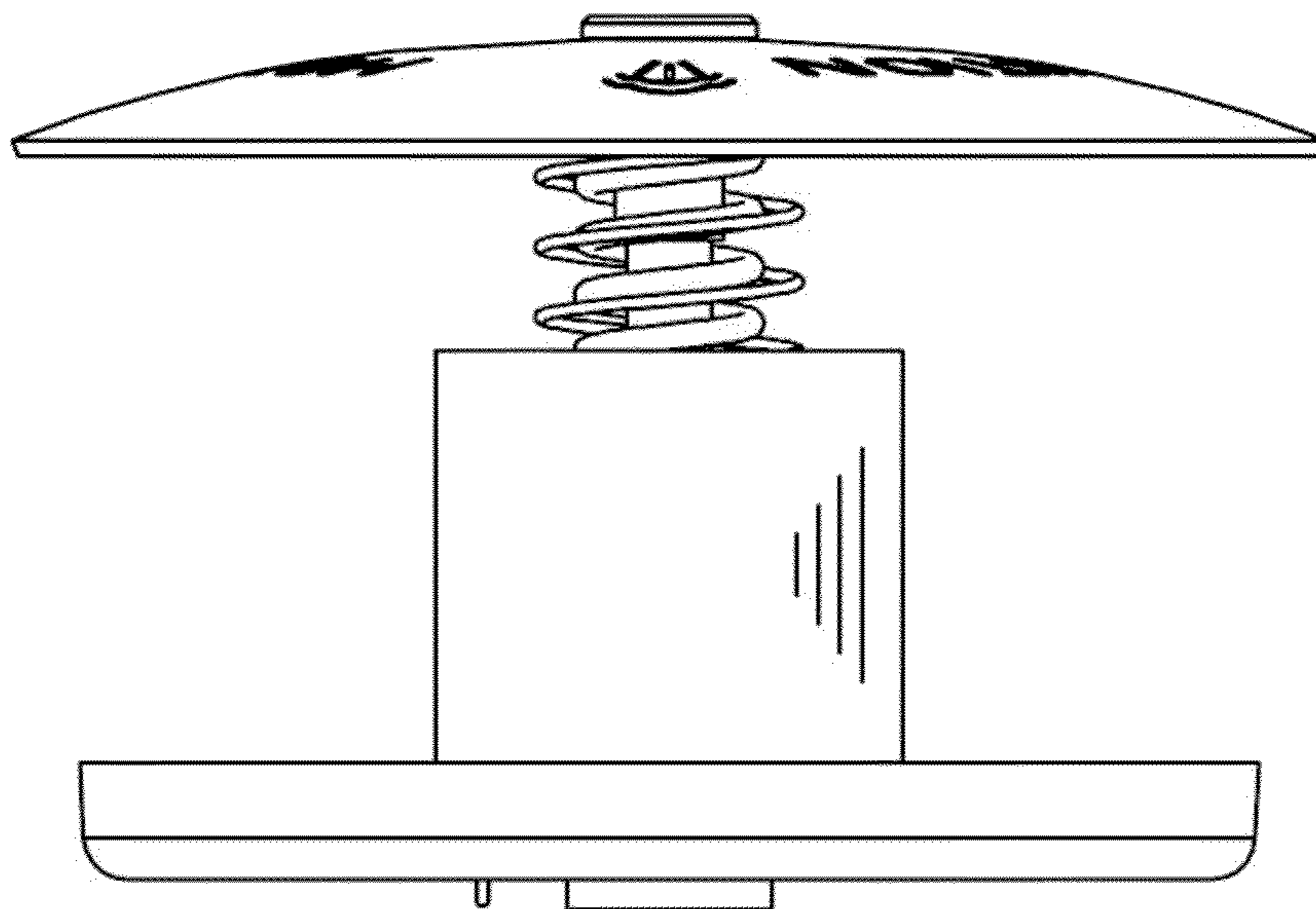


FIG. 9

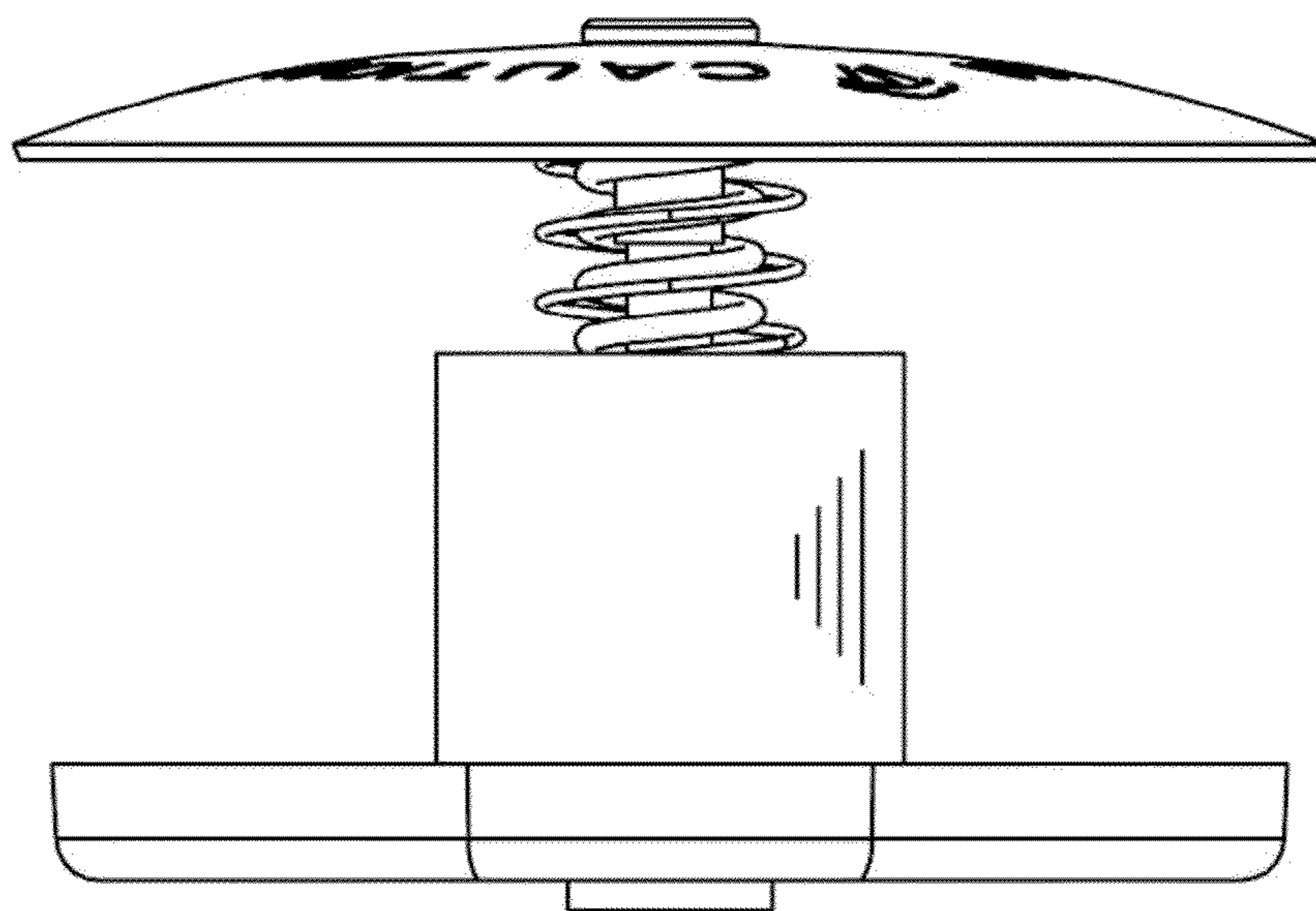


FIG. 10

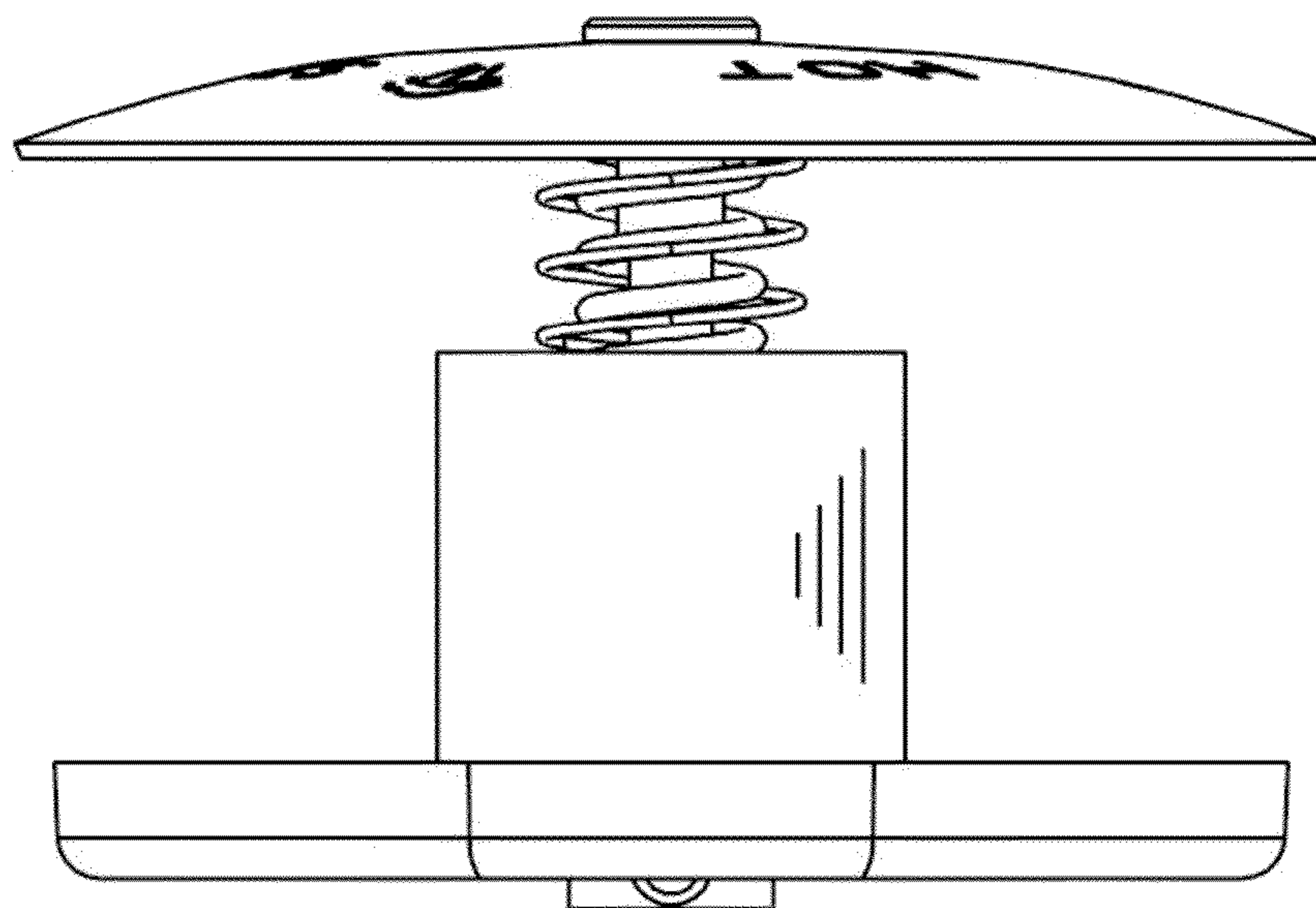


FIG. 11



FIG. 12

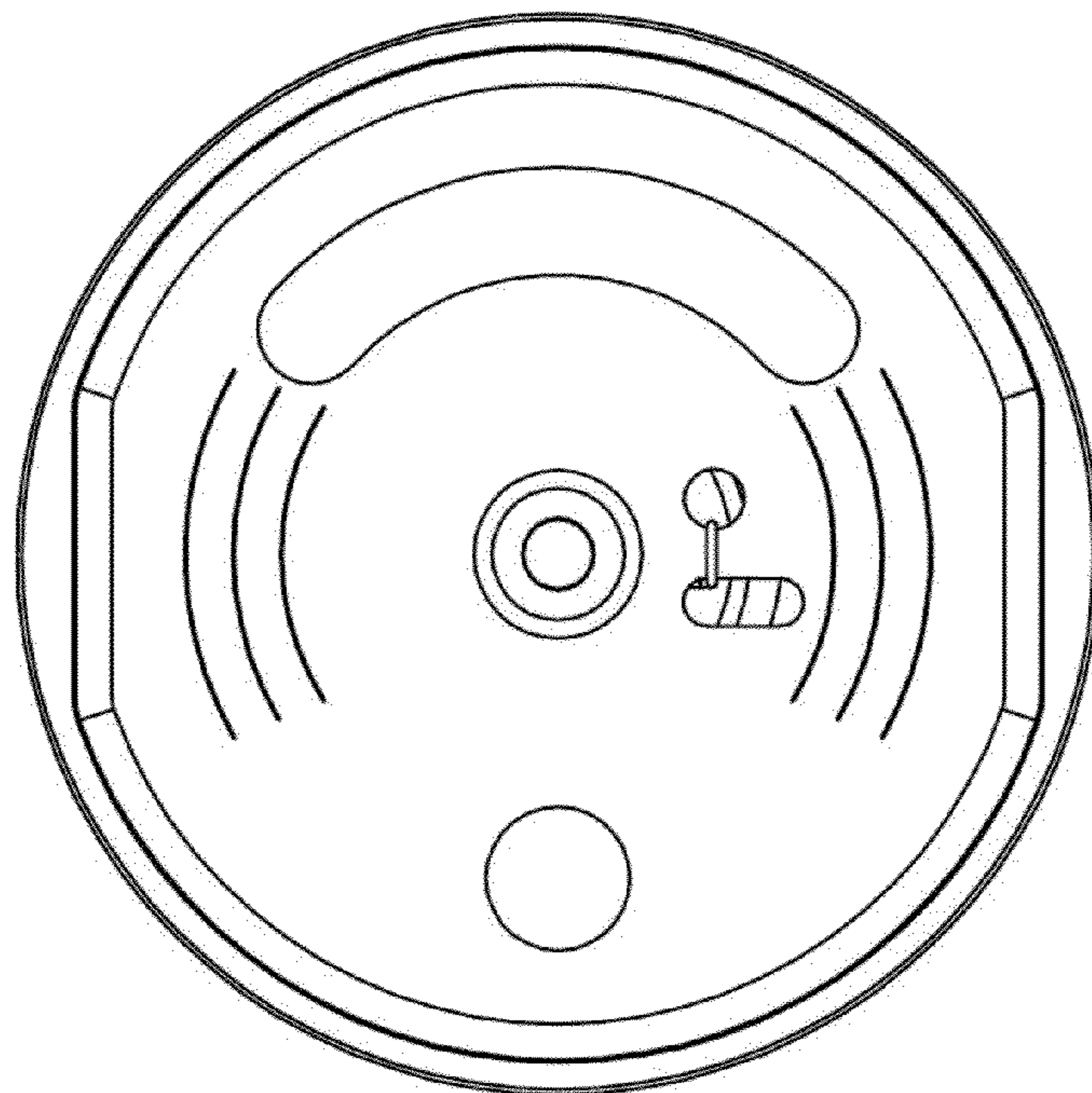


FIG. 13

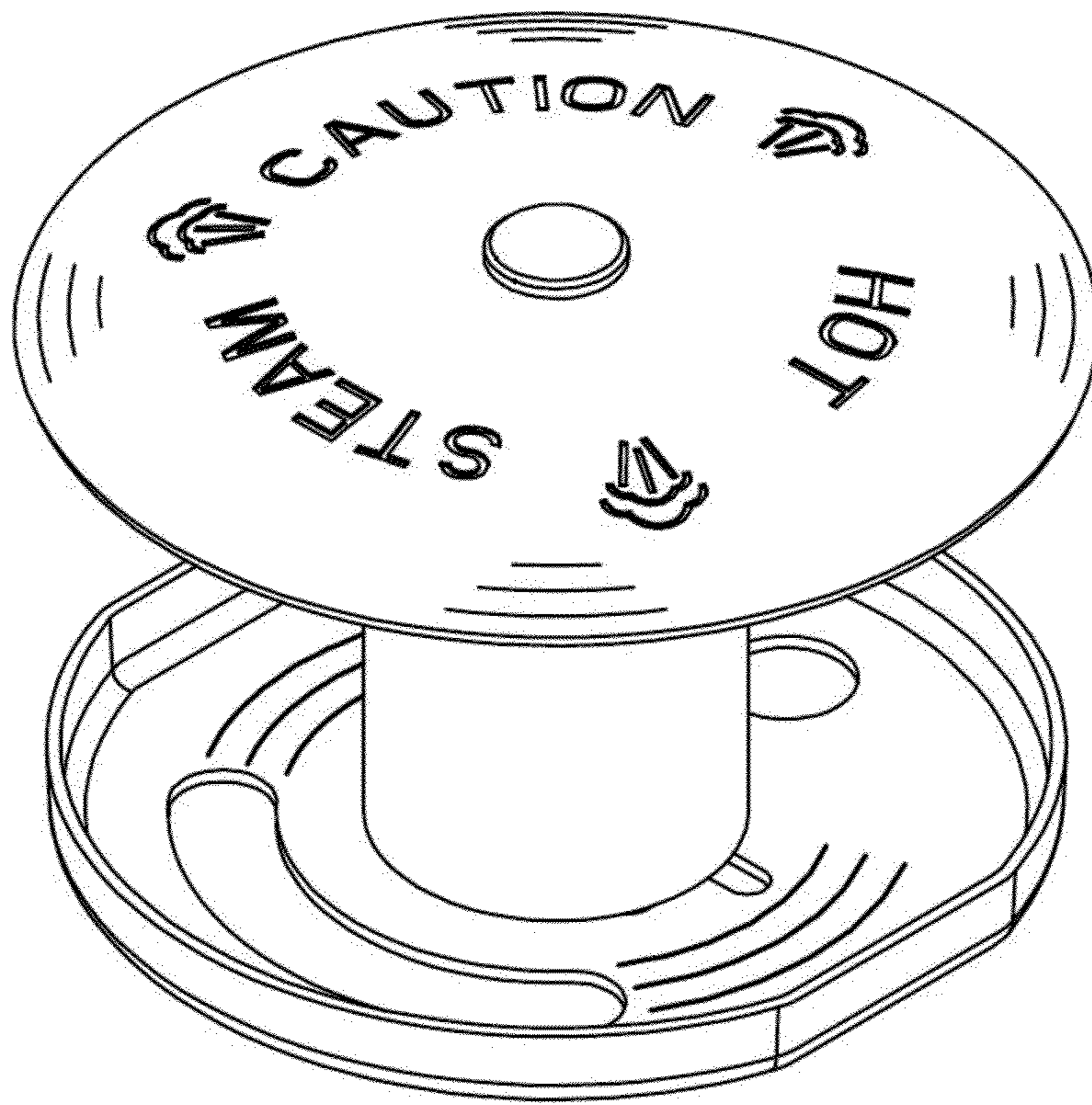


FIG. 14