



US00D694856S

(12) **United States Design Patent**
Madsen

(10) **Patent No.:** **US D694,856 S**
(45) **Date of Patent:** **** Dec. 3, 2013**

(54) **SHOWER HEAD**

- (71) Applicant: **VOLA A/S**, Horsens (DK)
- (72) Inventor: **Torben Madsen**, Aarhus C (DK)
- (73) Assignee: **VOLA A/S**, Horsens (DK)
- (**) Term: **14 Years**
- (21) Appl. No.: **29/436,815**
- (22) Filed: **Nov. 9, 2012**

(30) **Foreign Application Priority Data**

May 10, 2012	(EM)	002039693-0001
May 10, 2012	(EM)	002039693-0002
May 10, 2012	(EM)	002039693-0003
May 10, 2012	(EM)	002039693-0004
May 10, 2012	(EM)	002039693-0005

- (51) **LOC (9) Cl.** **23-01**
- (52) **U.S. Cl.**
USPC **D23/229**
- (58) **Field of Classification Search**
USPC D23/213, 223, 229, 230; 239/282, 283,
239/533.14
See application file for complete search history.

(56) **References Cited**

U.S. PATENT DOCUMENTS

D468,800 S * 1/2003 Tse D23/213
(Continued)

Primary Examiner — Robin V Webster

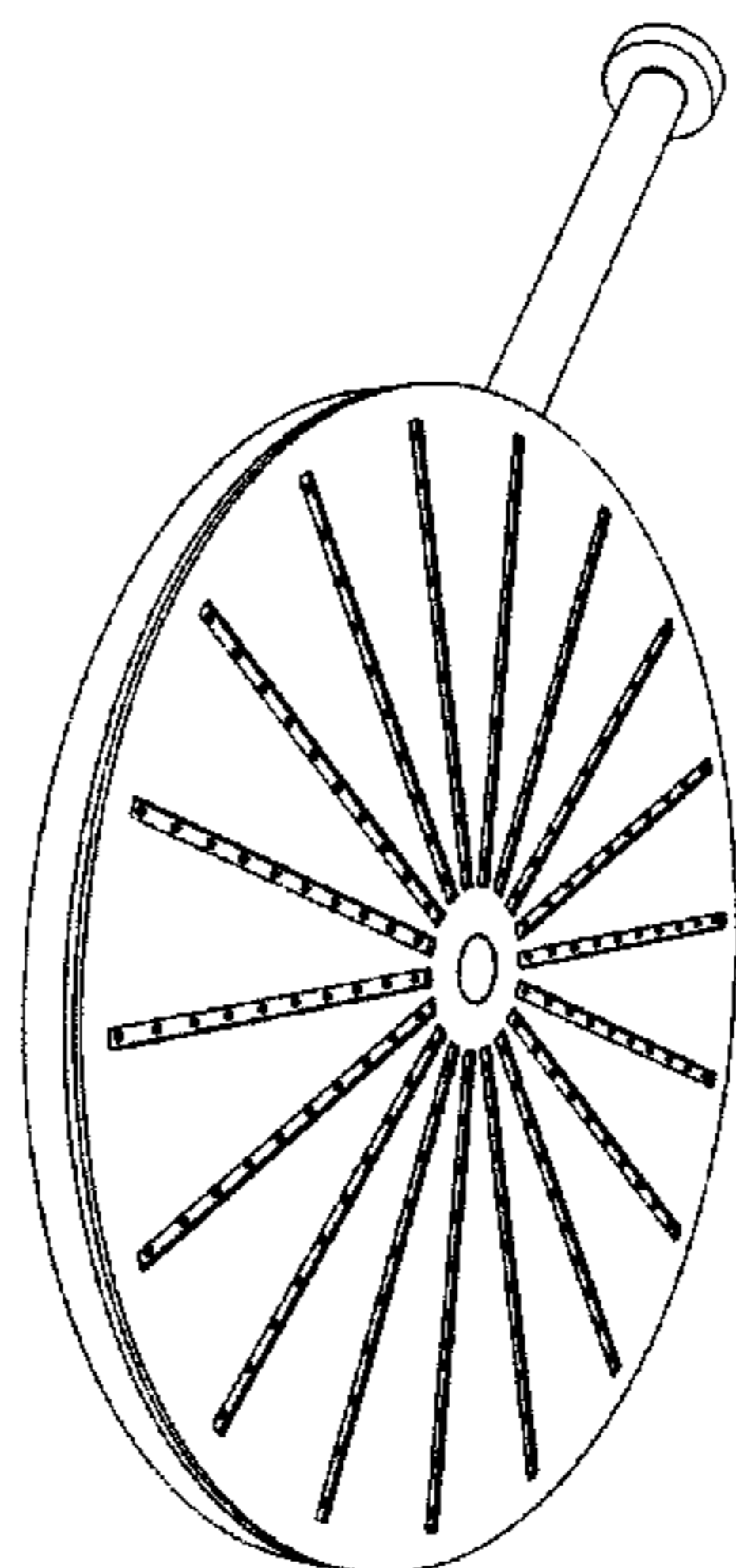
(74) *Attorney, Agent, or Firm* — Buchanan Ingersoll & Rooney PC

(57) **CLAIM**

The ornamental design for a shower head, as shown and described.

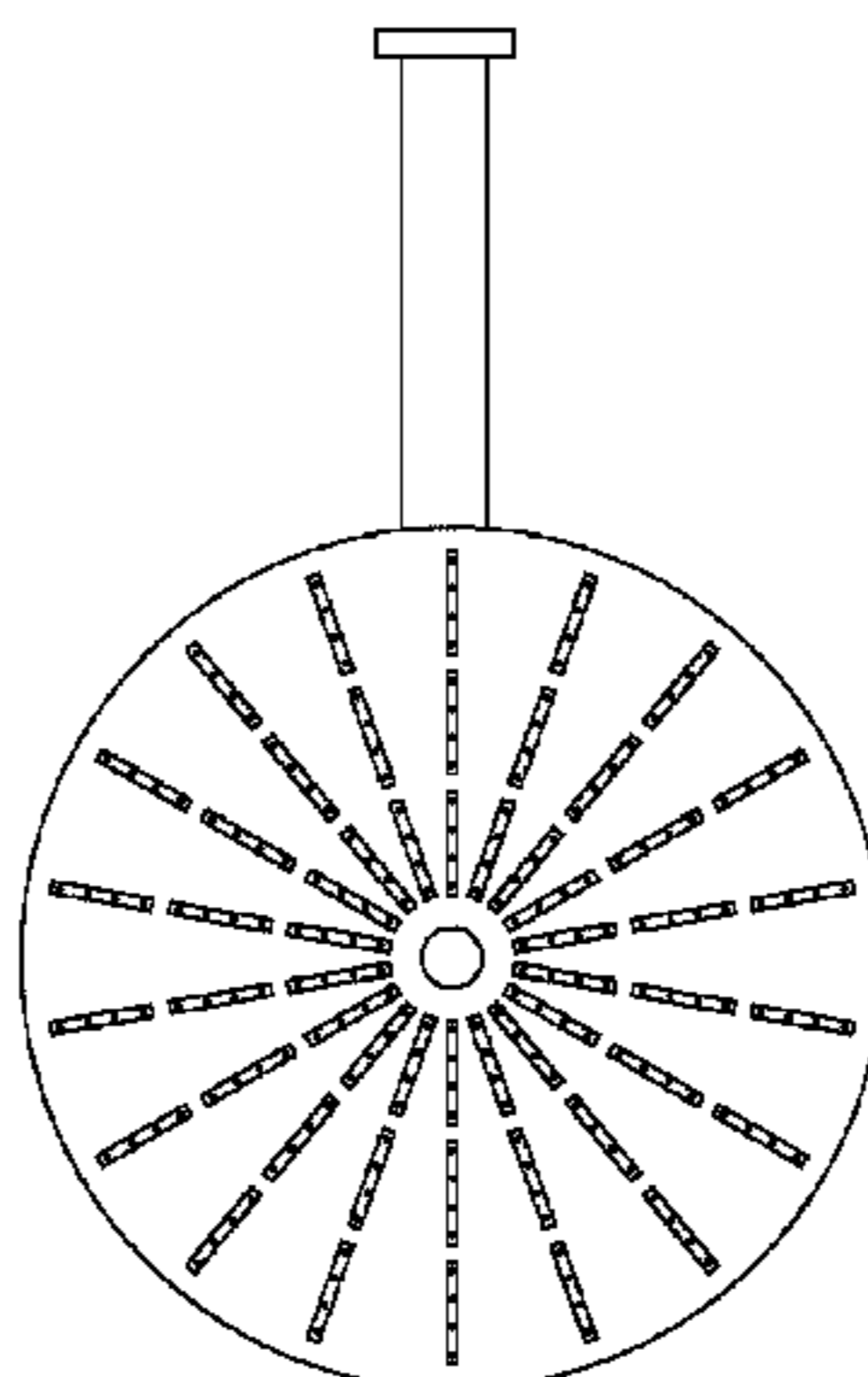
DESCRIPTION

- FIG. 1 is a perspective view of a shower head showing a first embodiment of my new design.
- FIG. 2 is a front elevational view thereof.
- FIG. 3 is a rear elevational view thereof.
- FIG. 4 is a left side elevational view thereof.
- FIG. 5 is a right side elevational view thereof.



- FIG. 6 is a top plan view thereof, the bottom view being a mirror image thereof.
- FIG. 7 is a top plan view thereof with an alternative mounting bracket.
- FIG. 8 is a perspective view of a shower head showing a second embodiment of my new design.
- FIG. 9 is a front elevational view thereof.
- FIG. 10 is a rear elevational view thereof.
- FIG. 11 is a left side elevational view thereof.
- FIG. 12 is a right side elevational view thereof.
- FIG. 13 is a top plan view thereof, the bottom view being a mirror image thereof.
- FIG. 14 is a top plan view thereof with an alternative mounting bracket.
- FIG. 15 is a perspective view of a shower head showing a third embodiment of my new design.
- FIG. 16 is a front elevational view thereof.
- FIG. 17 is a rear elevational view thereof.
- FIG. 18 is a left side elevational view thereof.
- FIG. 19 is a right side elevational view thereof.
- FIG. 20 is a top plan view thereof, the bottom view being a mirror image thereof.
- FIG. 21 is a top plan view thereof with an alternative mounting bracket.
- FIG. 22 is a perspective view of a shower head showing a fourth embodiment of my new design.
- FIG. 23 is a front elevational view thereof.
- FIG. 24 is a rear elevational view thereof.
- FIG. 25 is a left side elevational view thereof.
- FIG. 26 is a right side elevational view thereof.
- FIG. 27 is a top plan view thereof, the bottom view being a mirror image thereof.
- FIG. 28 is a top plan view thereof with an alternative mounting bracket.
- FIG. 29 is a perspective view of a shower head showing a fifth embodiment of my new design.
- FIG. 30 is a front elevational view thereof.
- FIG. 31 is a rear elevational view thereof.
- FIG. 32 is a left side elevational view thereof.
- FIG. 33 is a right side elevational view thereof.
- FIG. 34 is a top plan view thereof, the bottom view being a mirror image thereof; and,
- FIG. 35 is a top plan view thereof with an alternative mounting bracket.

1 Claim, 25 Drawing Sheets



(56)

References Cited

U.S. PATENT DOCUMENTS

D471,953 S * 3/2003 Colligan et al. D23/213
D475,433 S * 6/2003 Citterio D23/213
D512,120 S * 11/2005 Haug et al. D23/213
D524,406 S * 7/2006 Hoernig D23/213

D549,302 S * 8/2007 Haug et al. D23/213
D556,855 S * 12/2007 Mullenmeister et al. D23/213
D559,953 S * 1/2008 Bickler et al. D23/229
D565,155 S * 3/2008 Mullenmeister et al. D23/229
D630,706 S * 1/2011 Giggs et al. D23/213
8,240,583 B2 * 8/2012 Cristina 239/533.14

* cited by examiner

FIG. 1

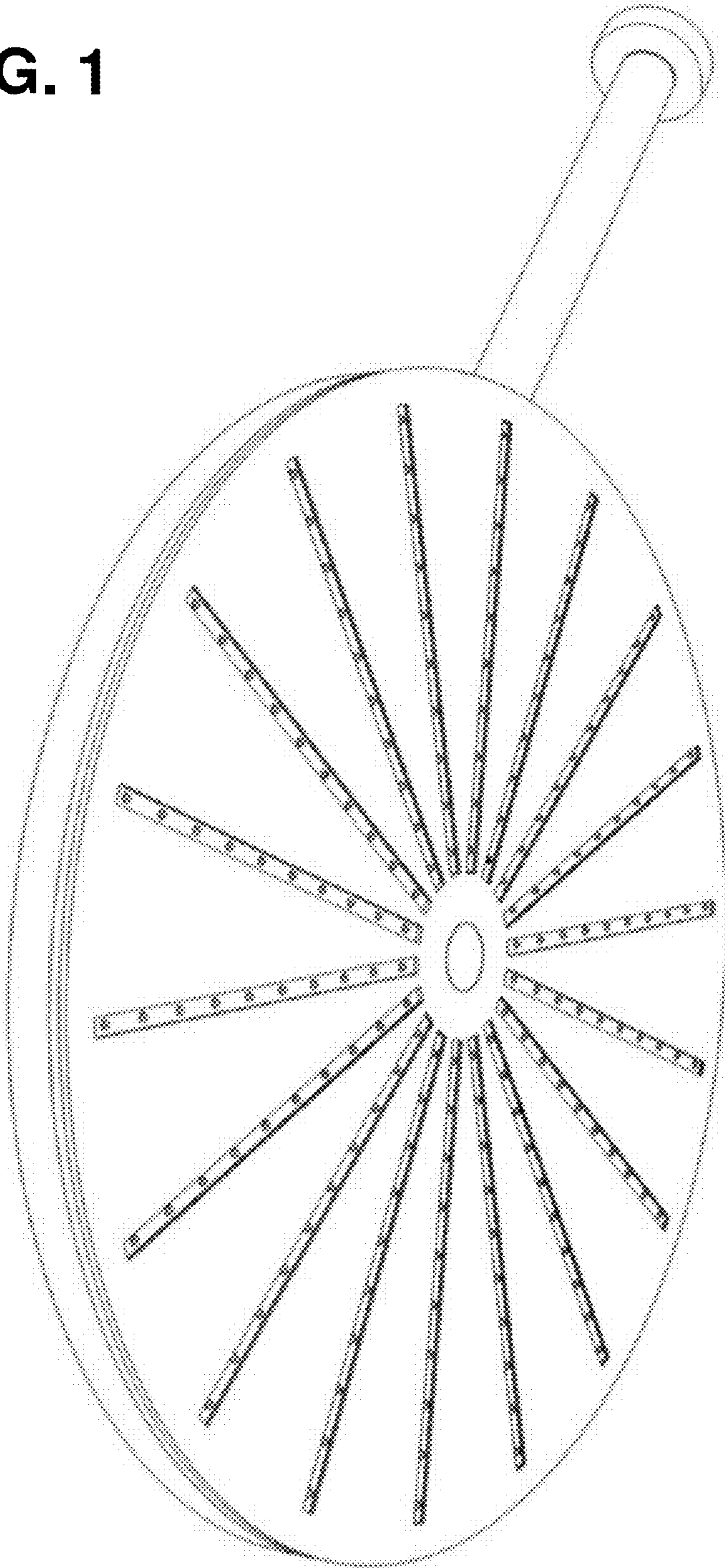


FIG. 2

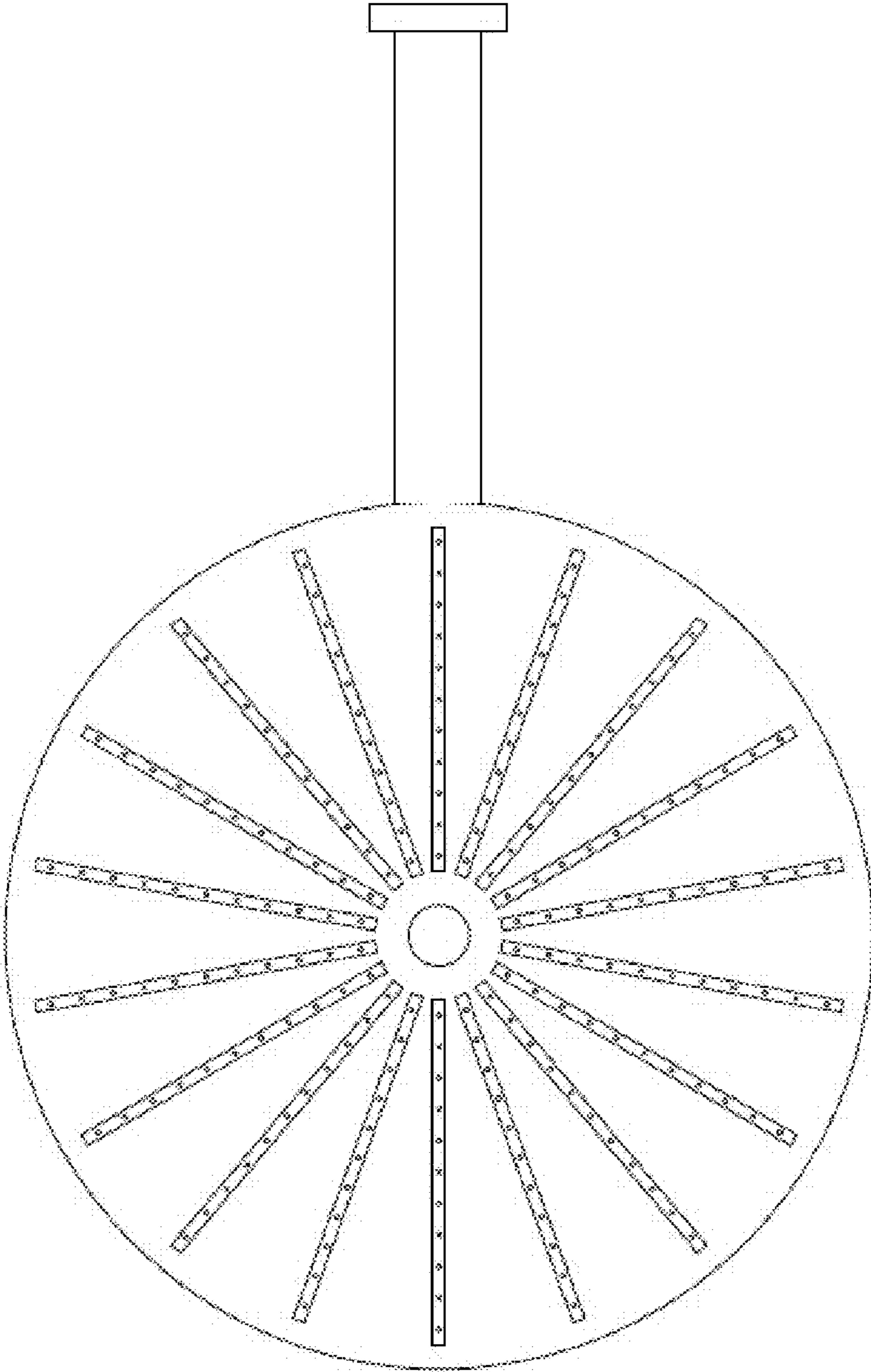


FIG. 3

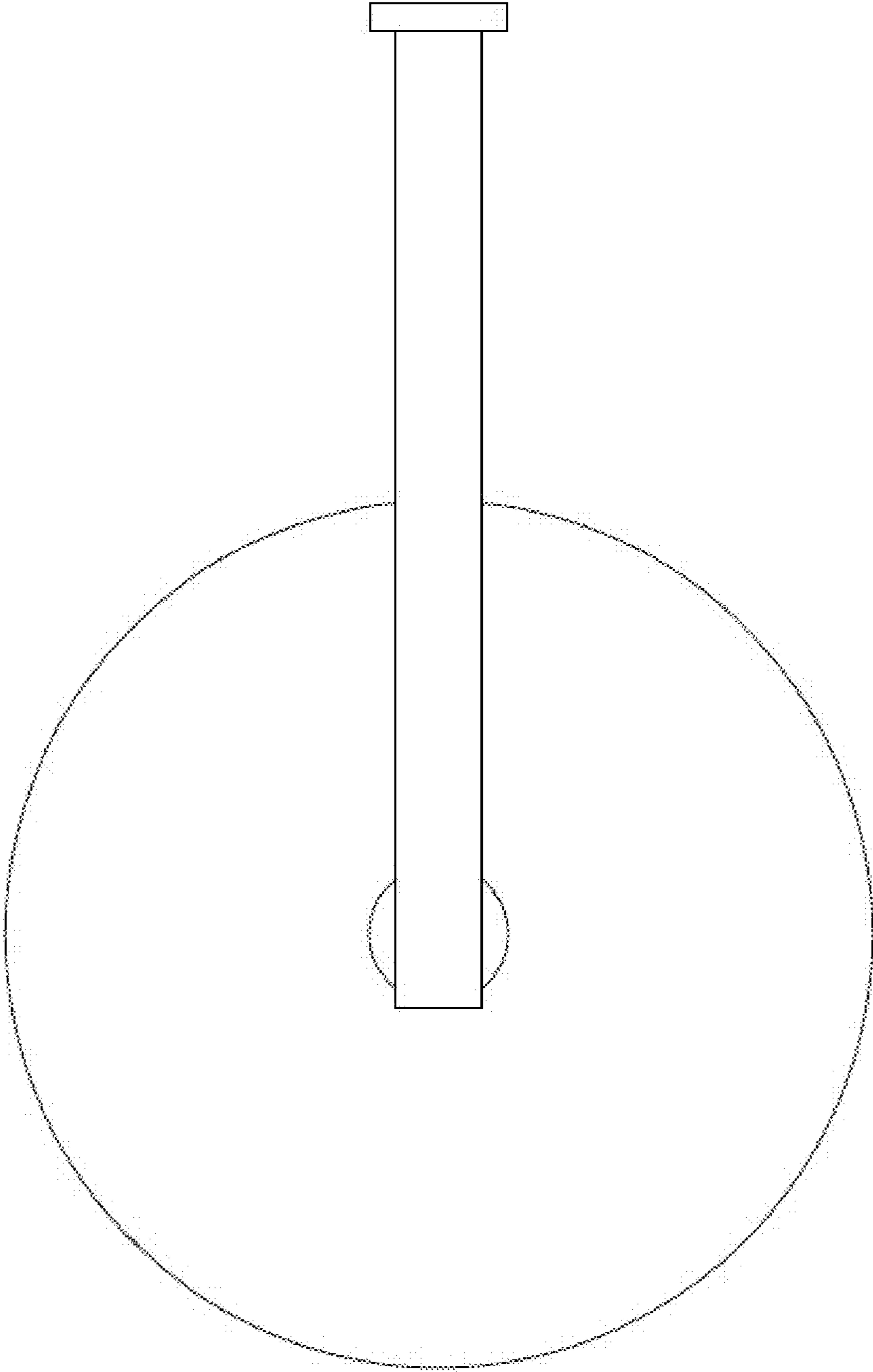


FIG. 4

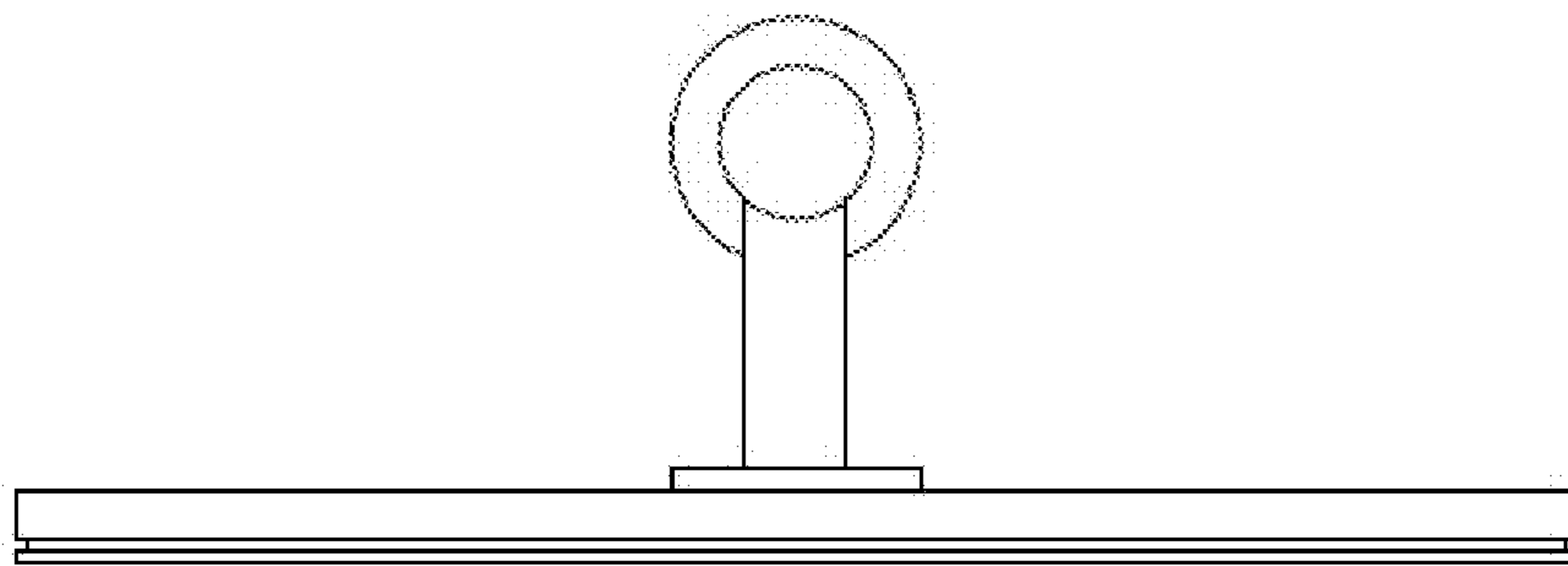


FIG. 5

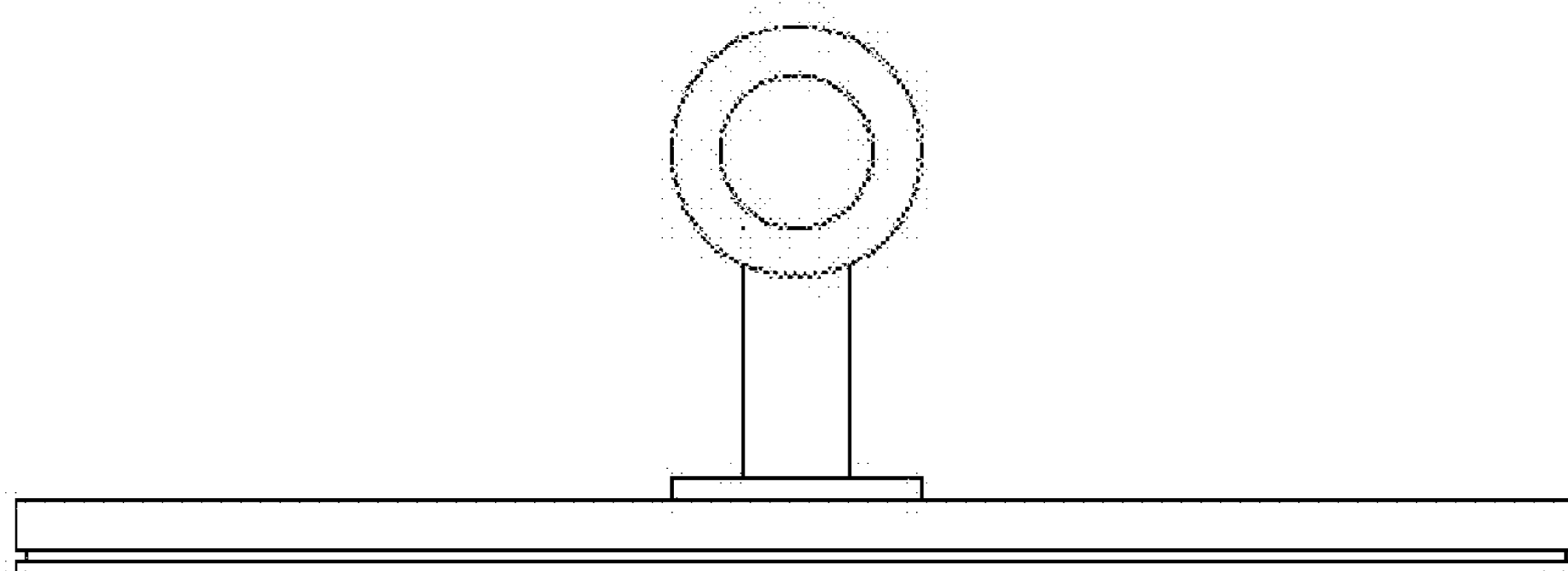


FIG. 6

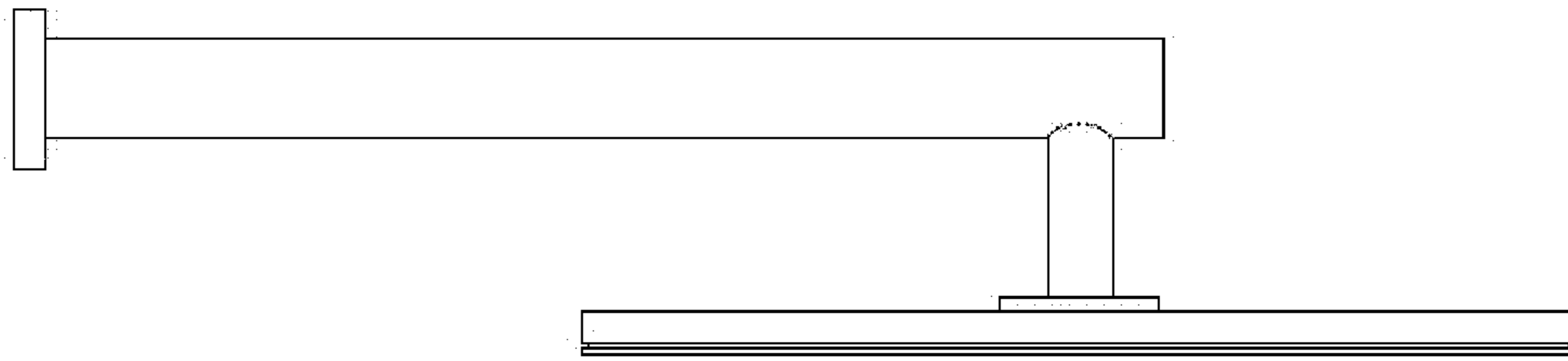


FIG. 7

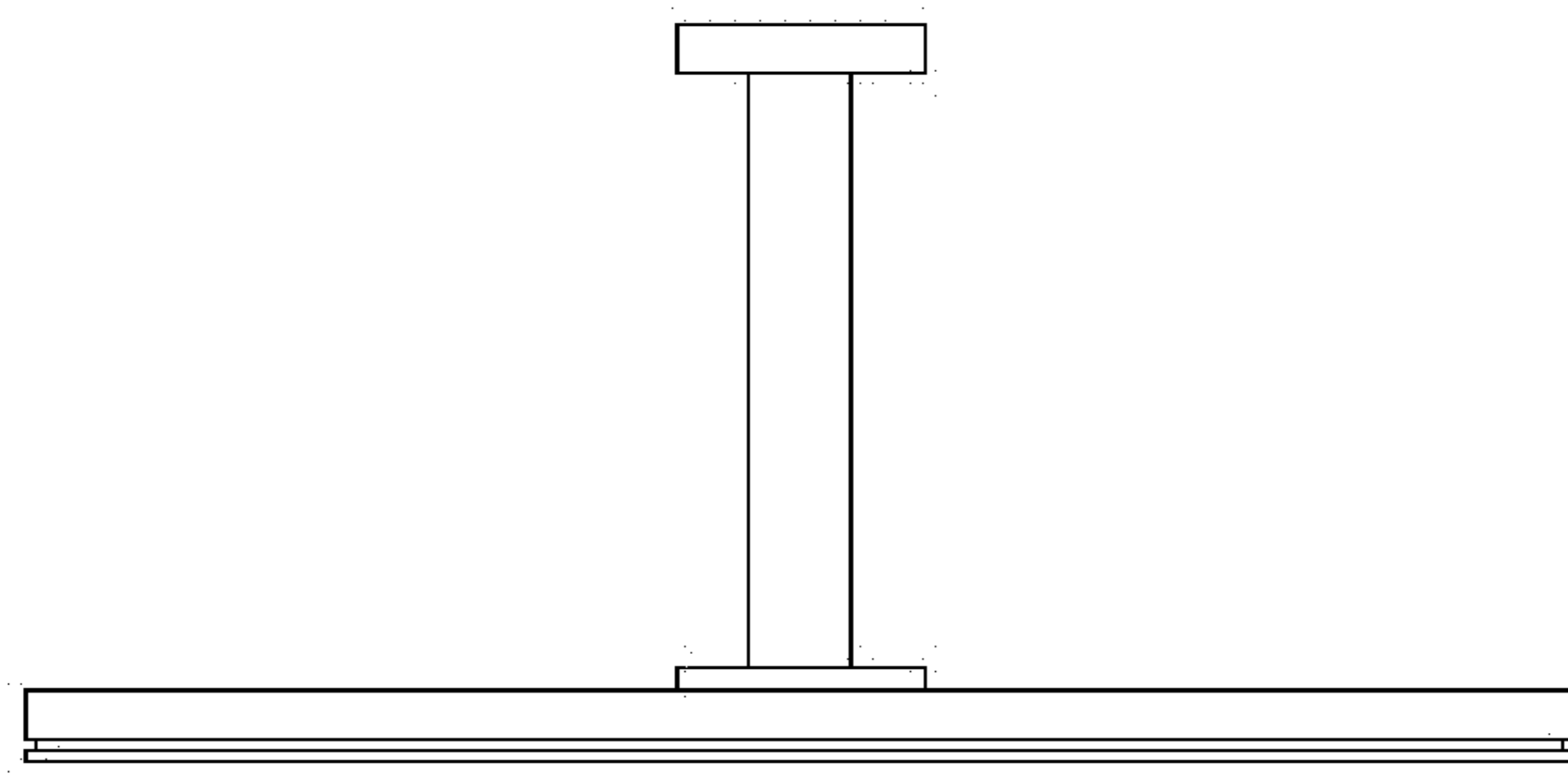


FIG. 8

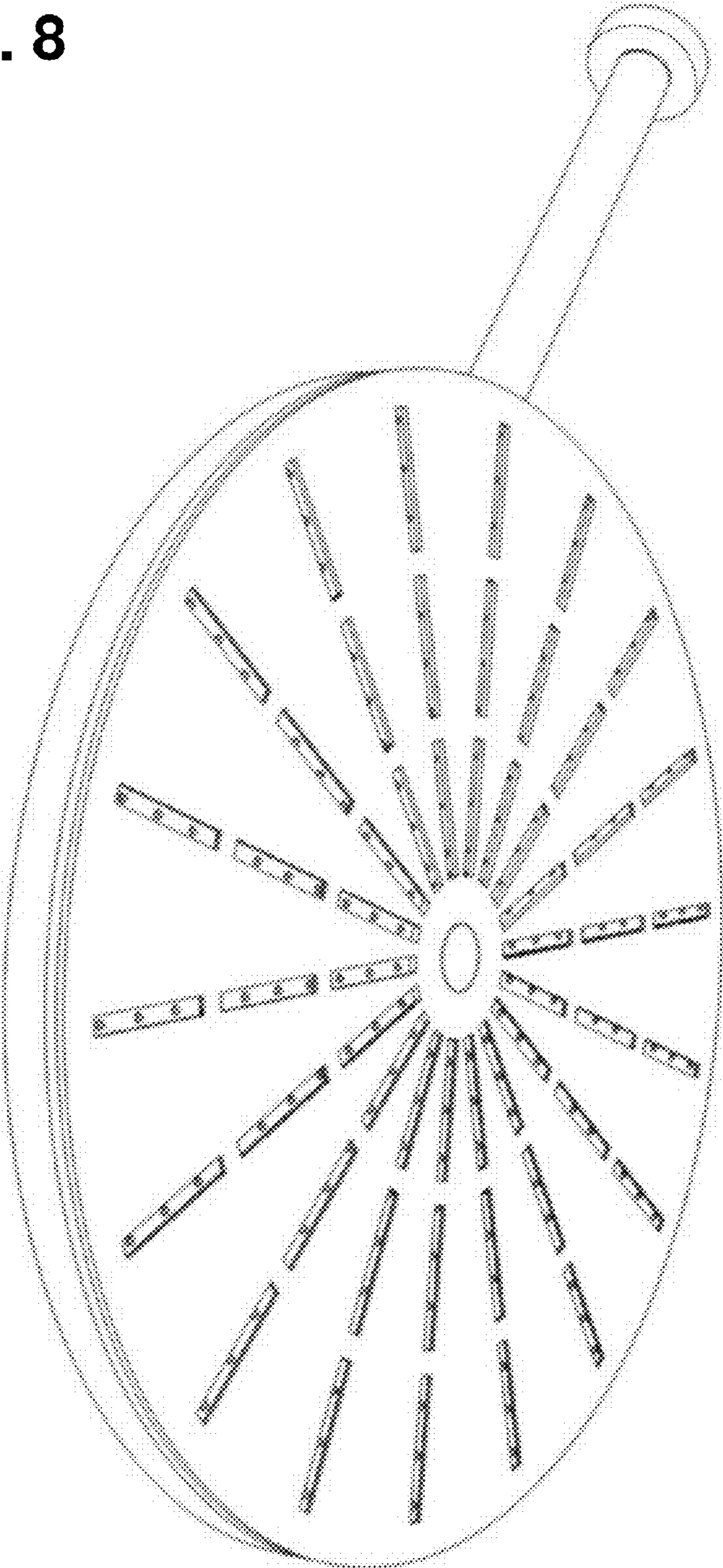


FIG. 9

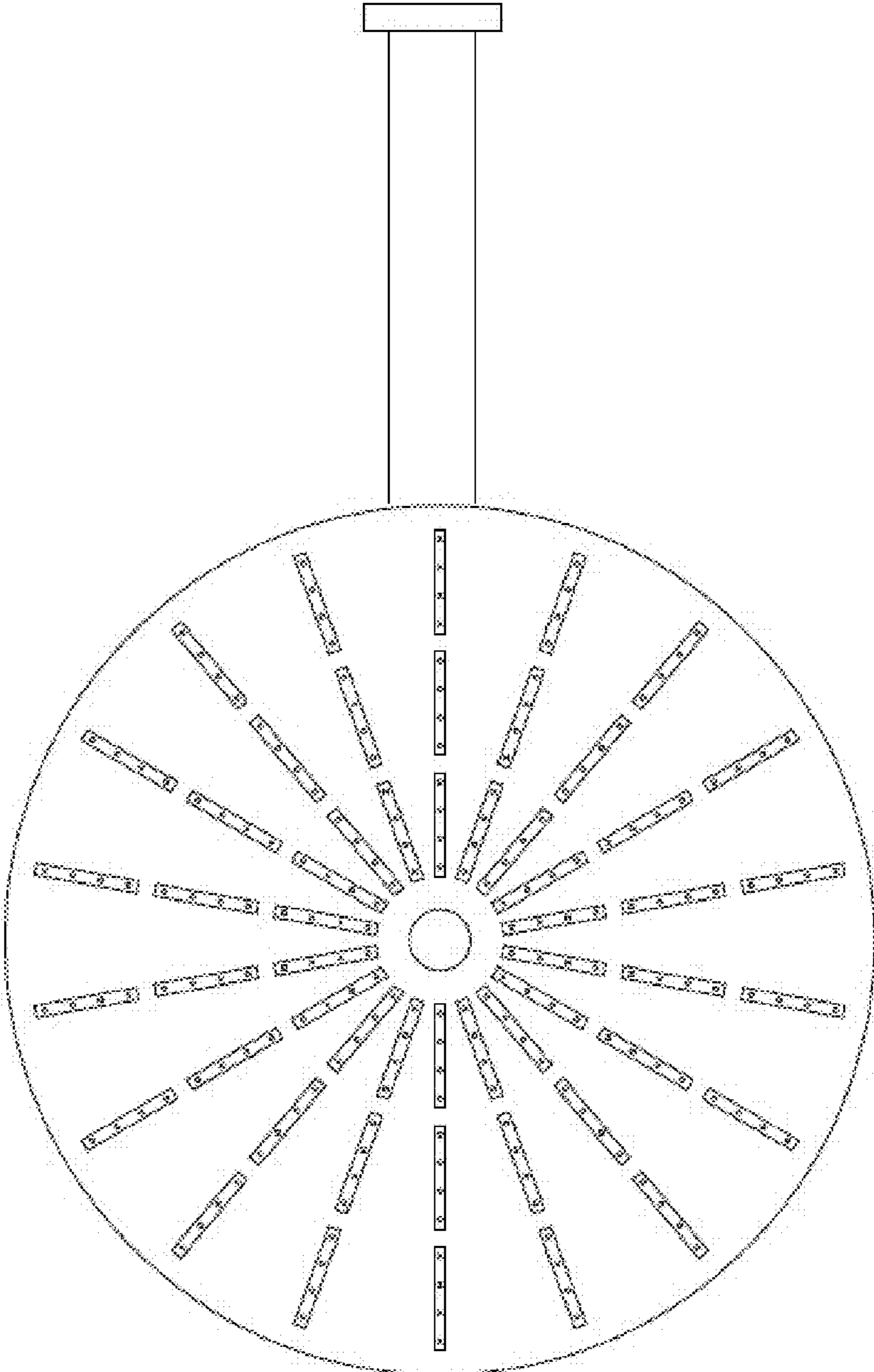


FIG. 10

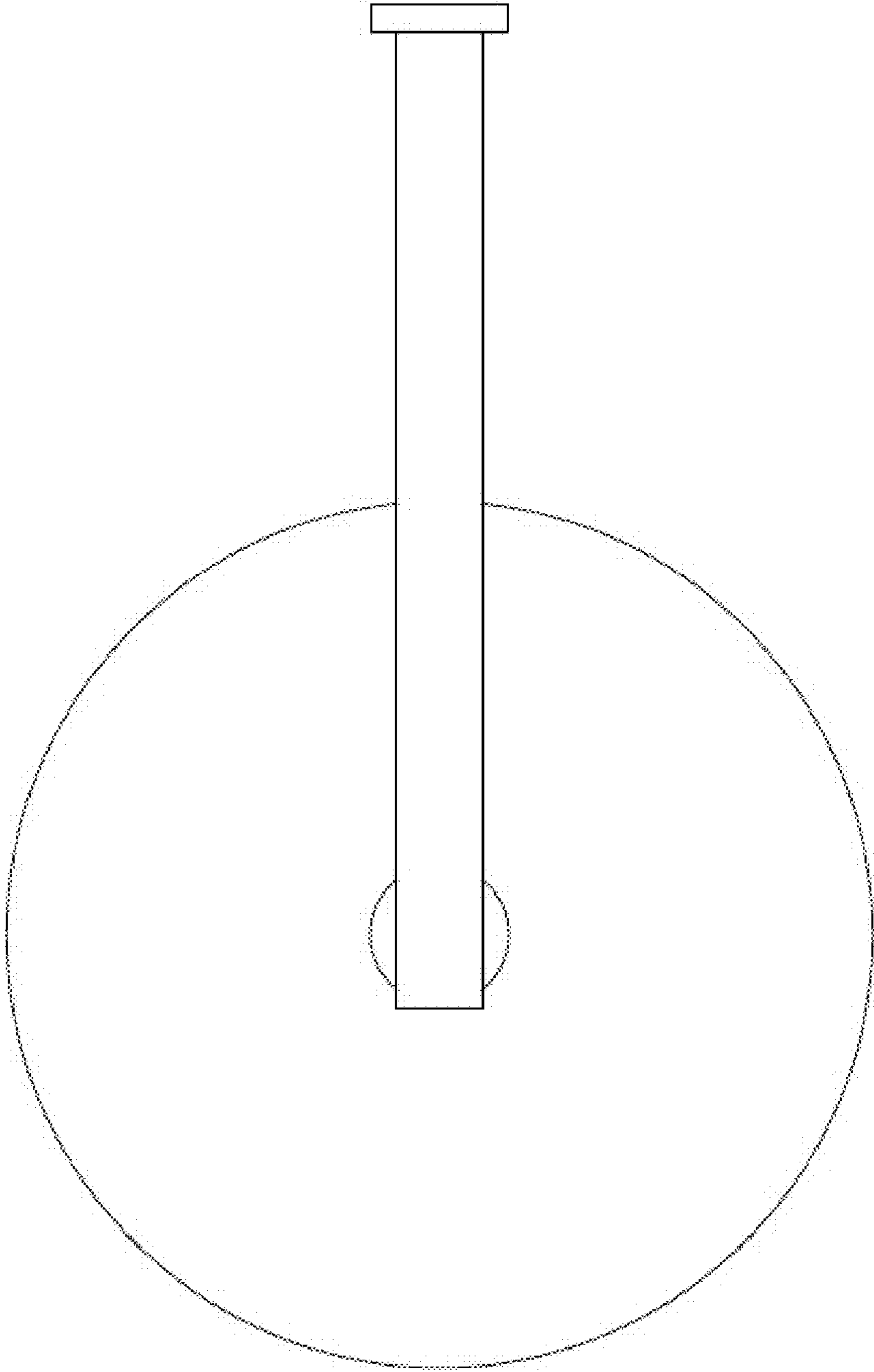


FIG. 11

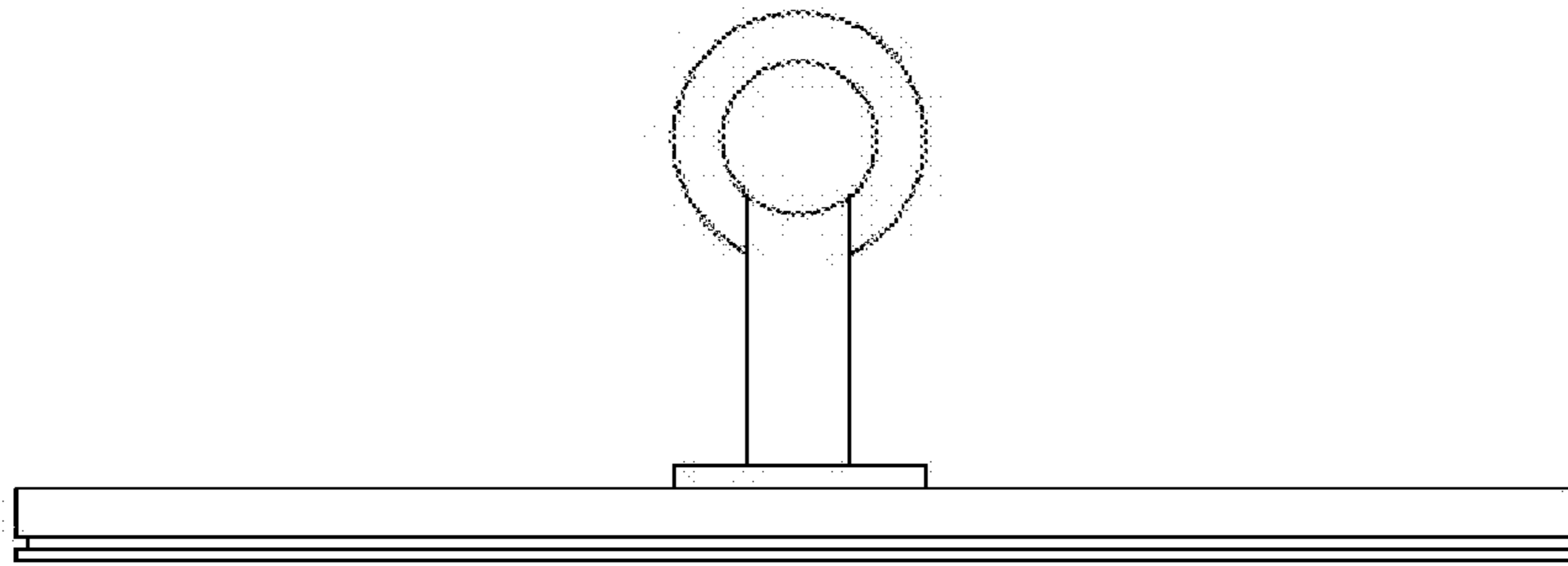


FIG. 12

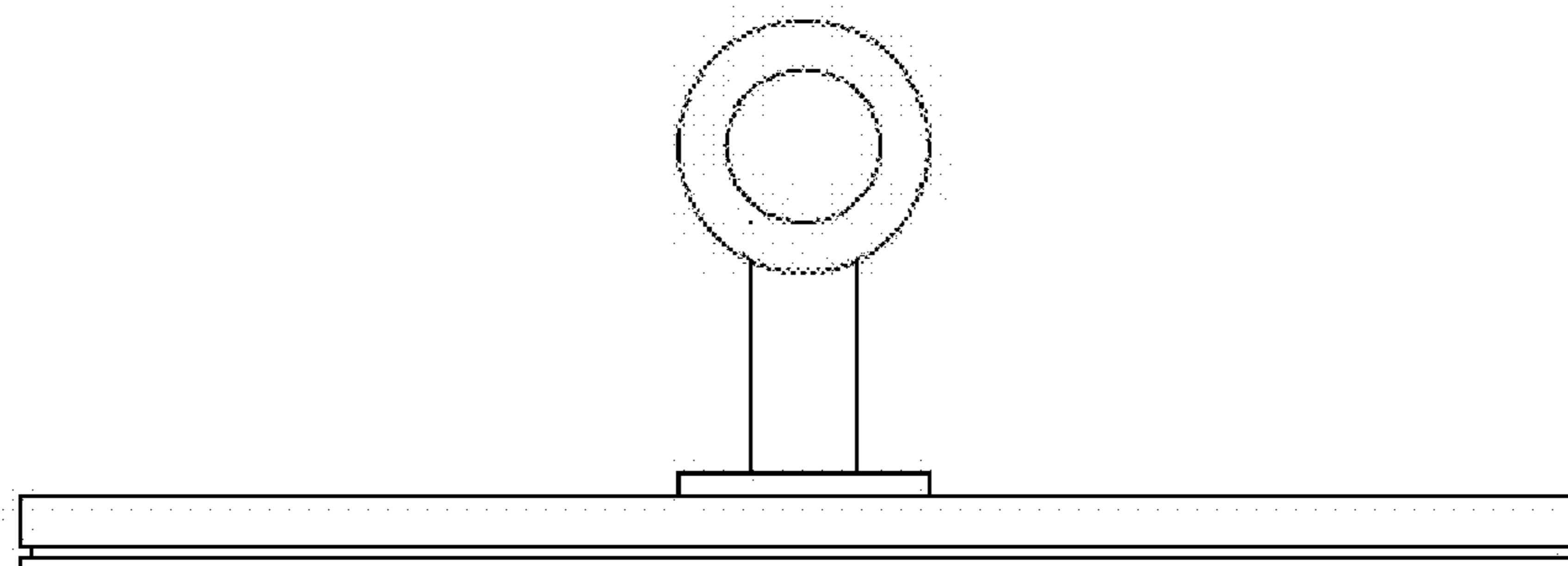


FIG. 13

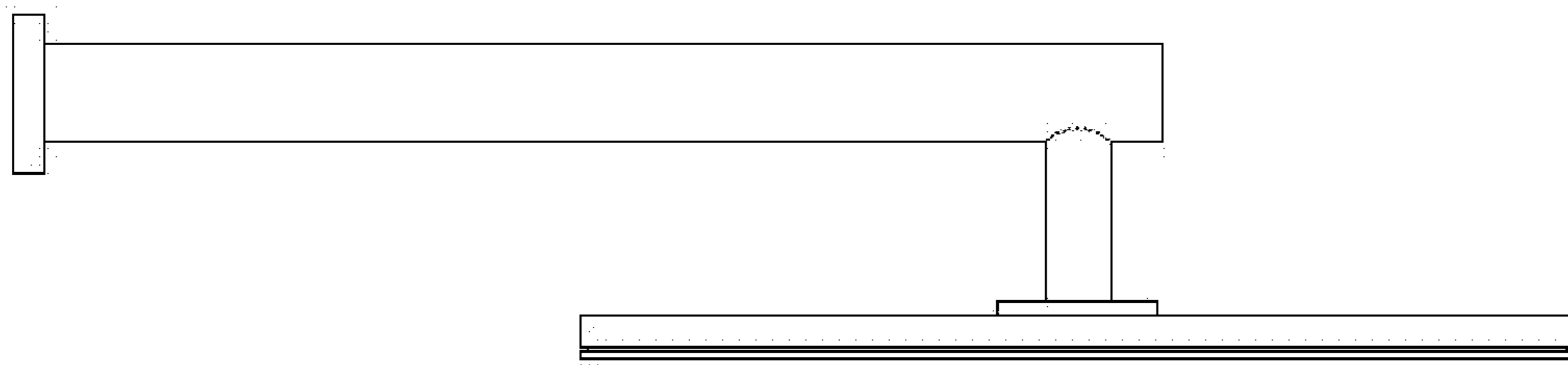


FIG. 14

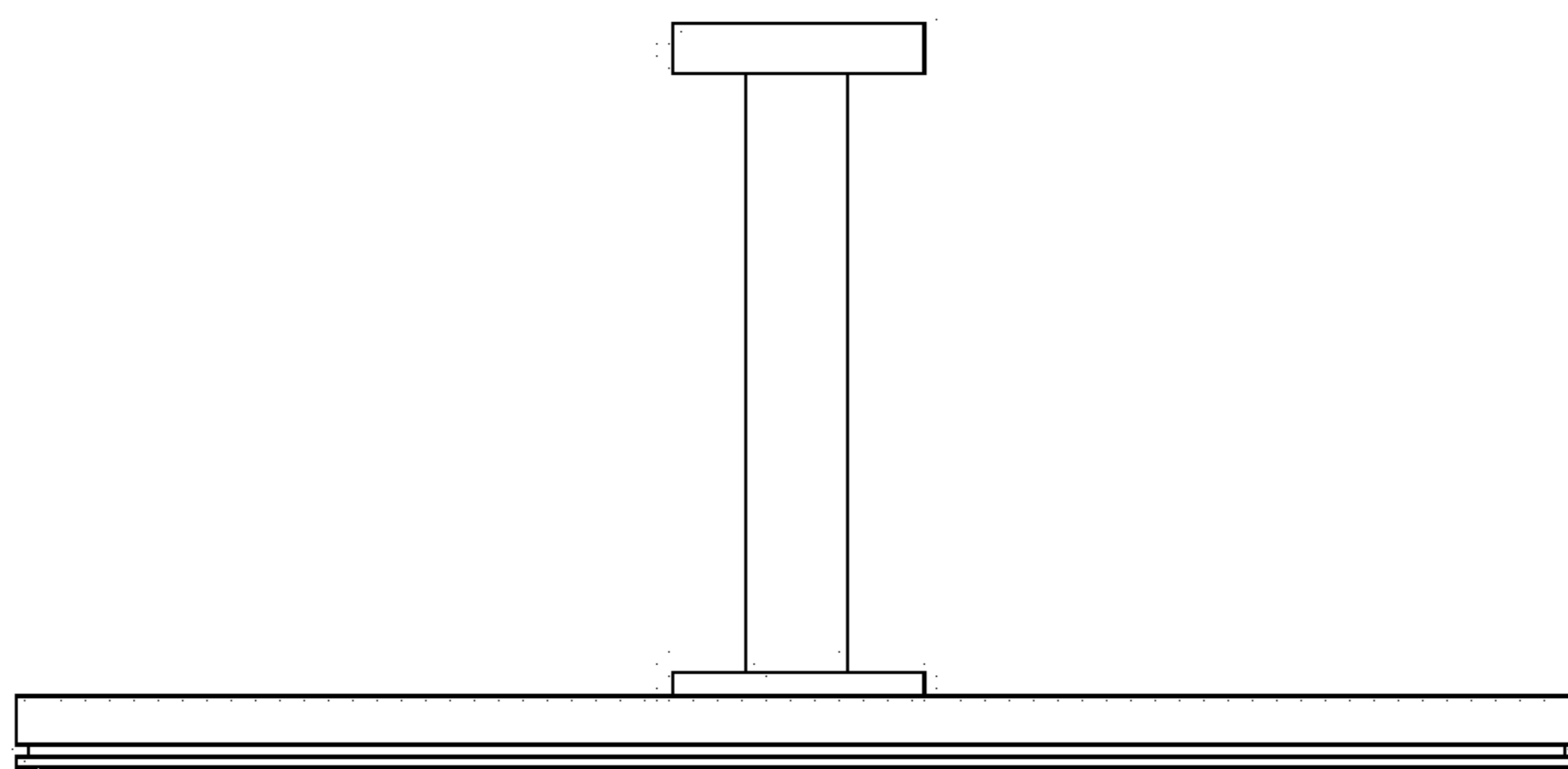


FIG. 15

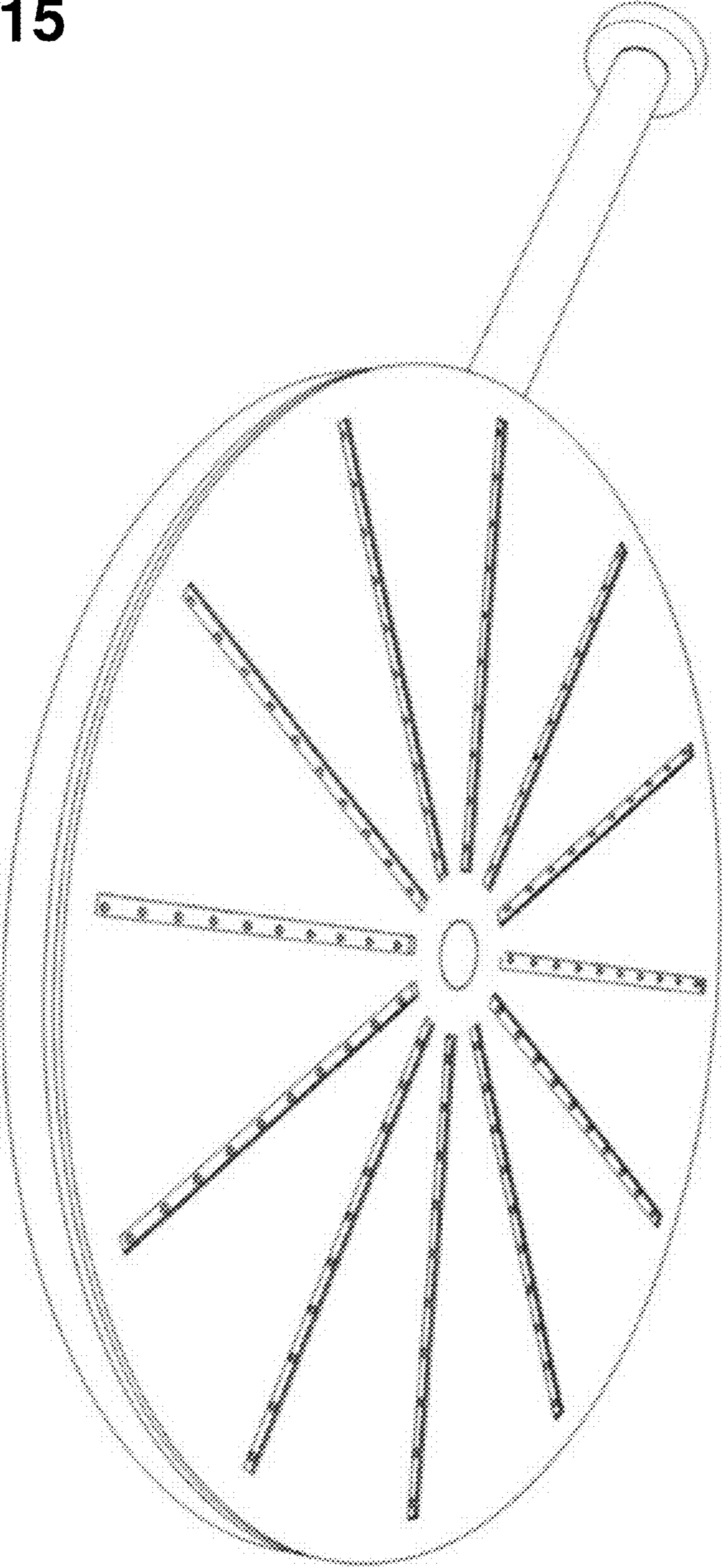


FIG. 16

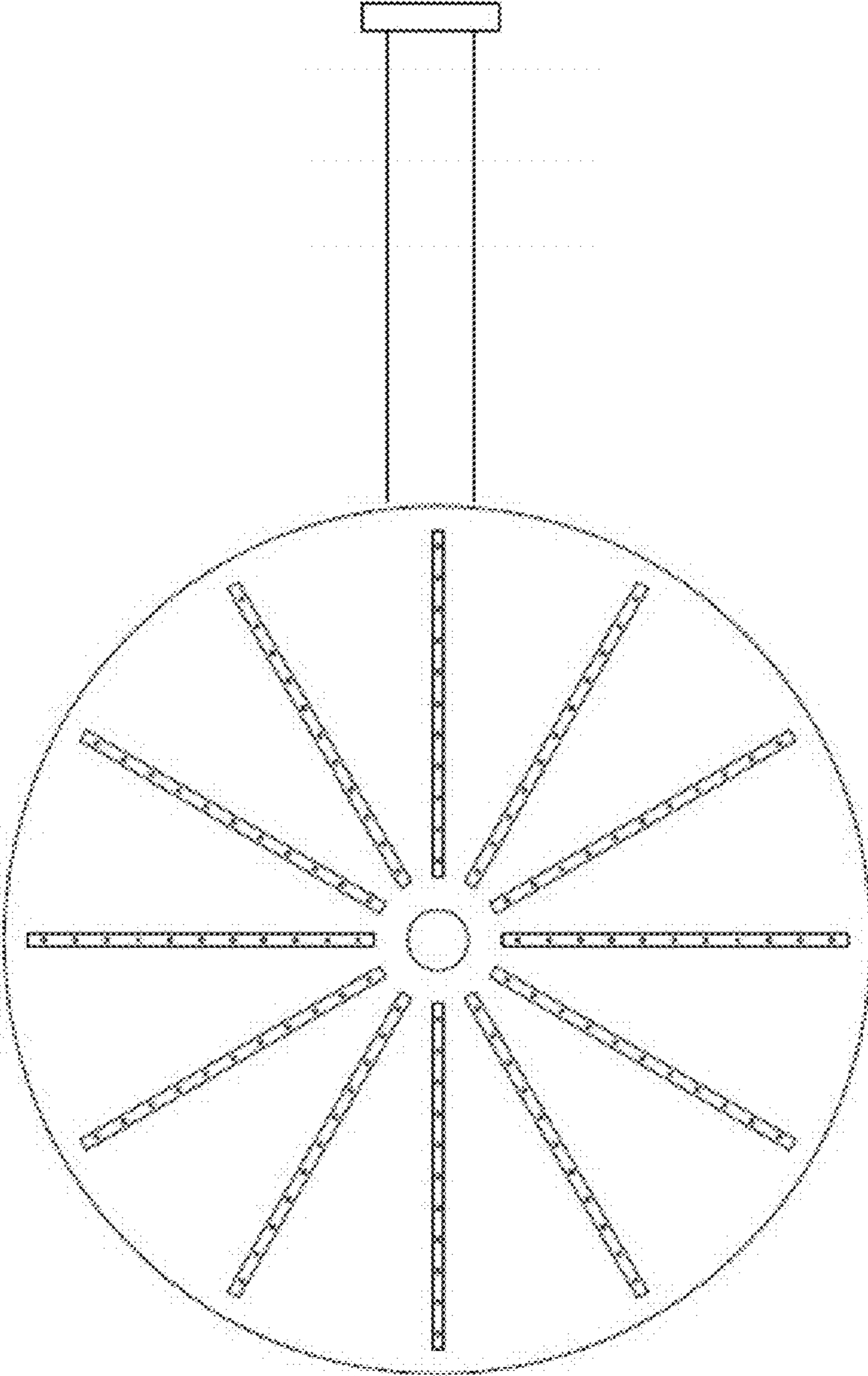


FIG. 17

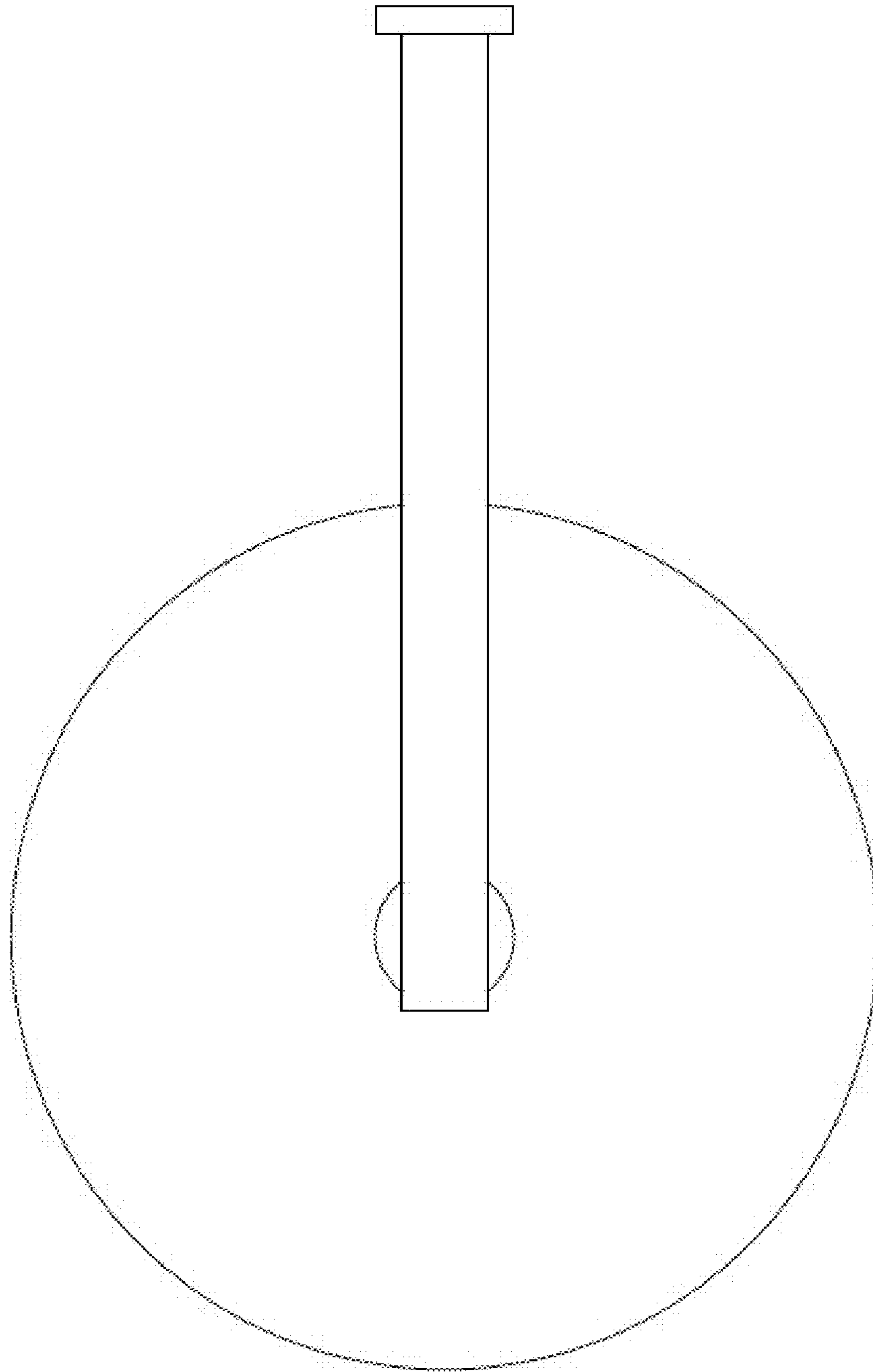


FIG. 18

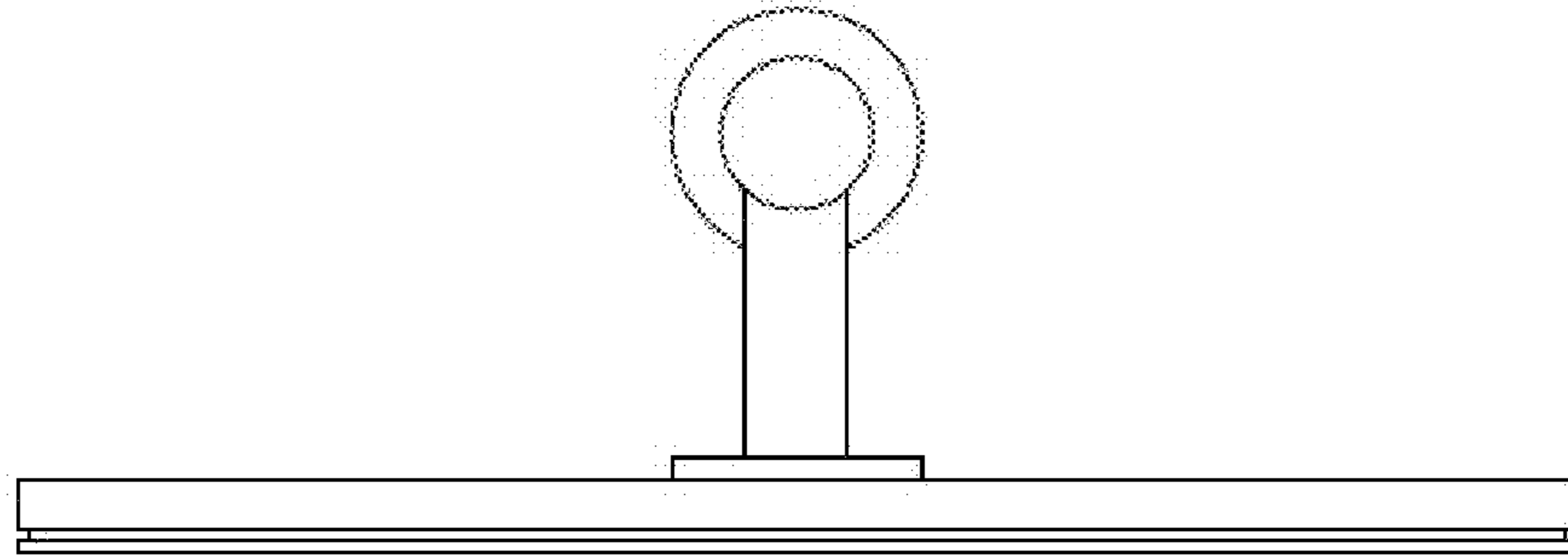


FIG. 19

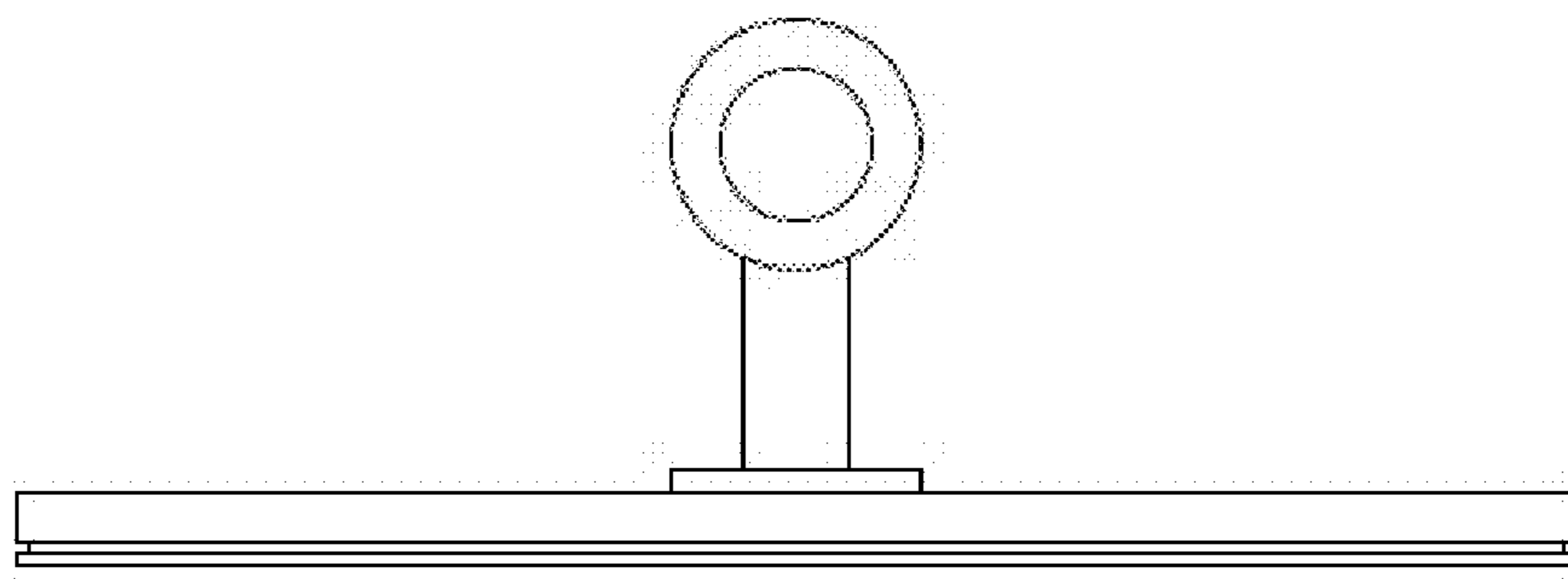


FIG. 20

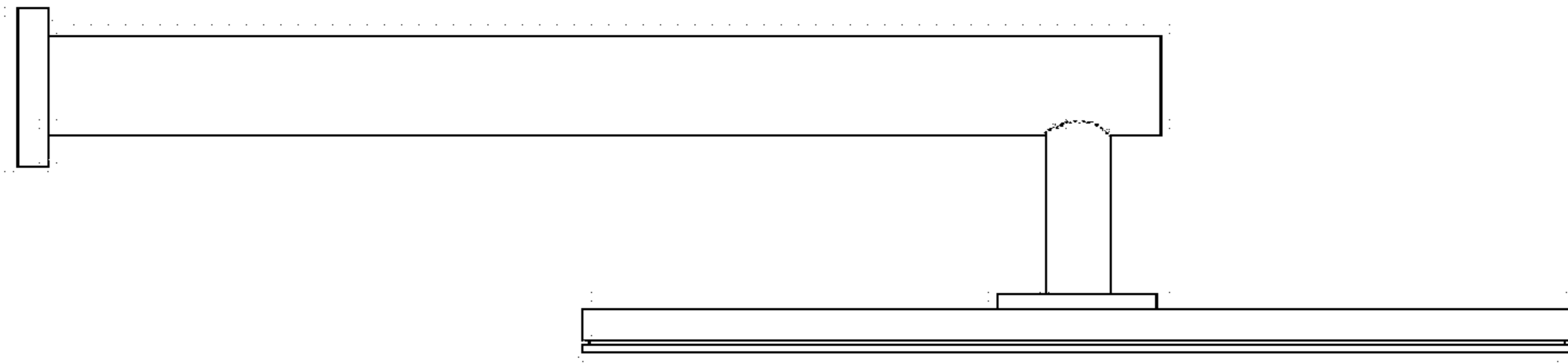


FIG. 21

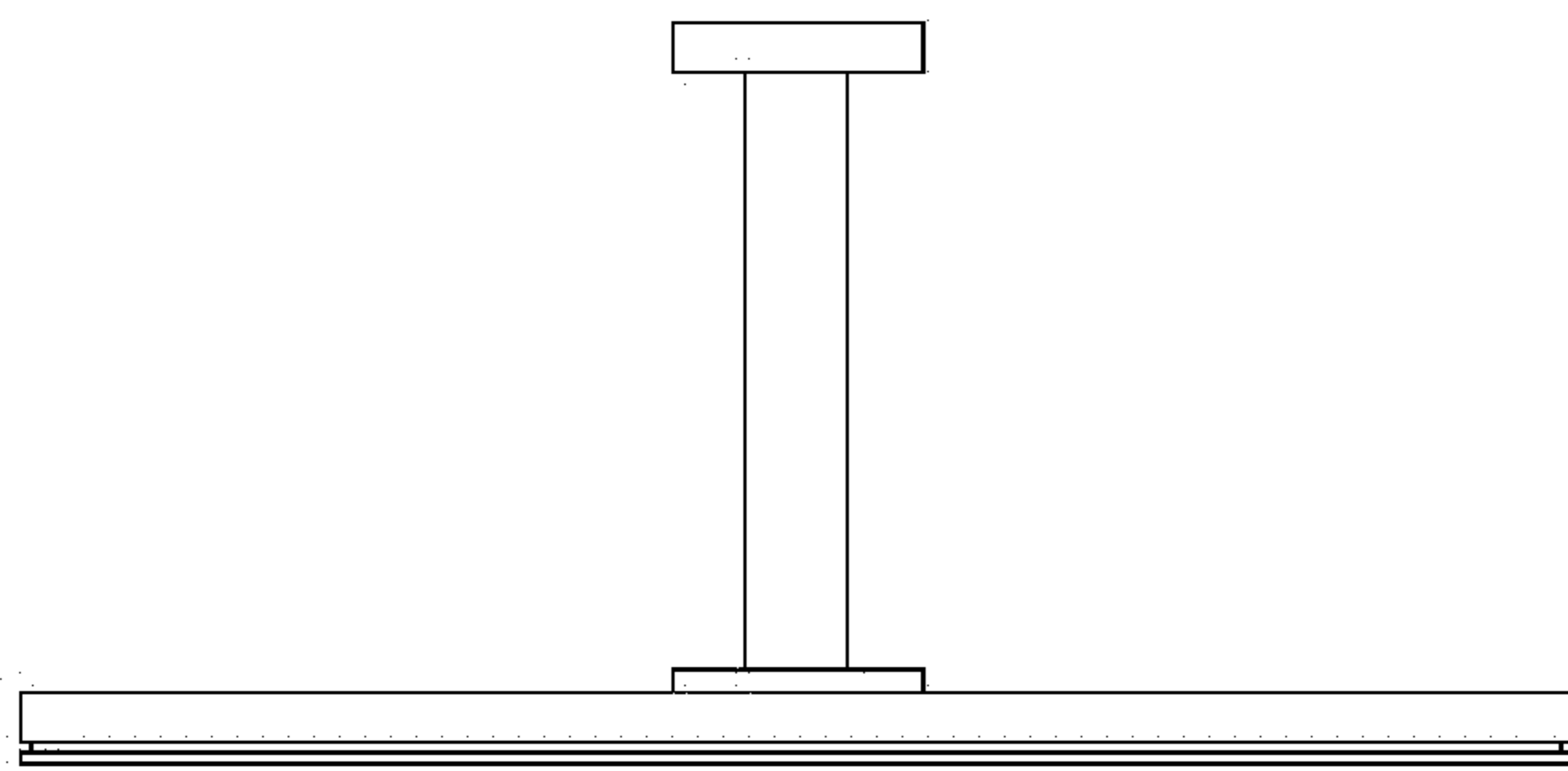


FIG. 22

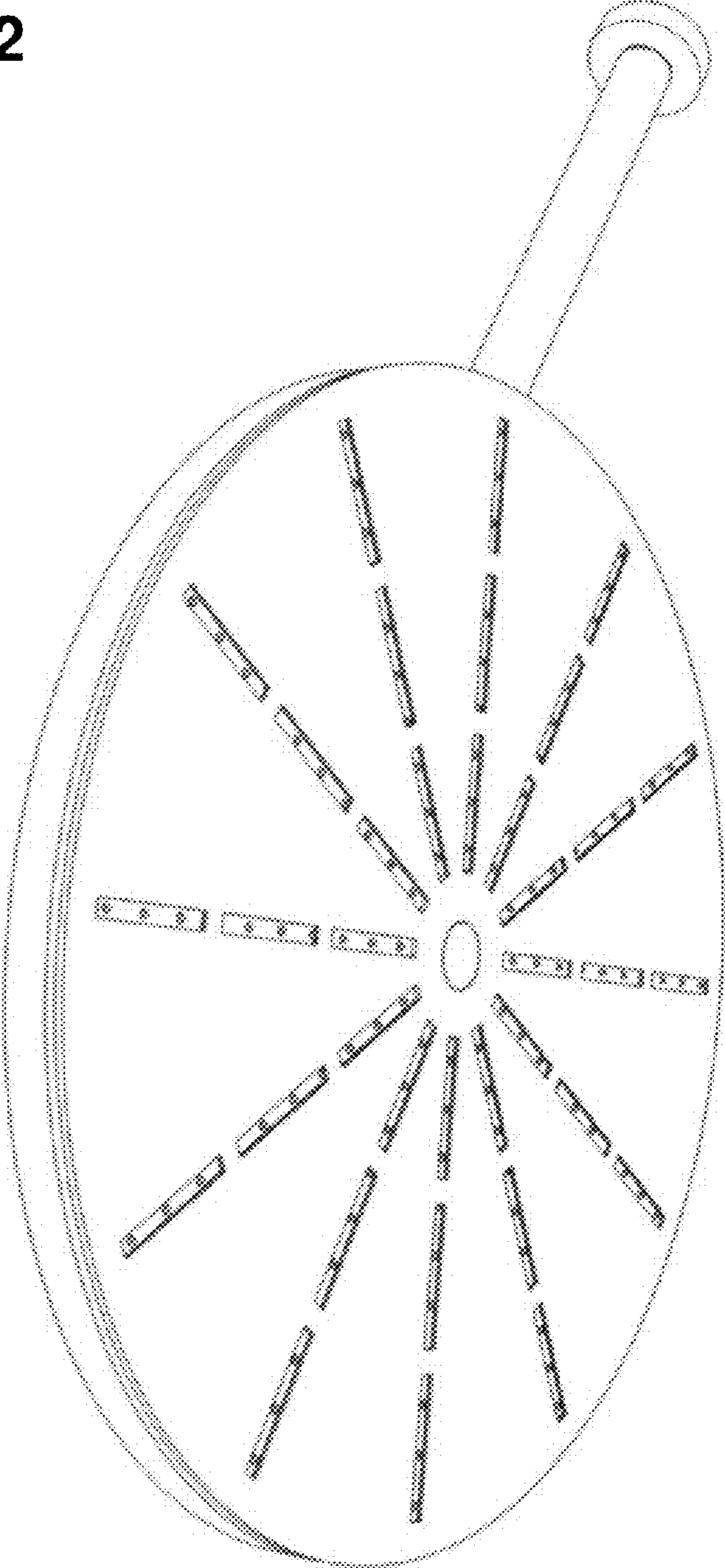


FIG. 23

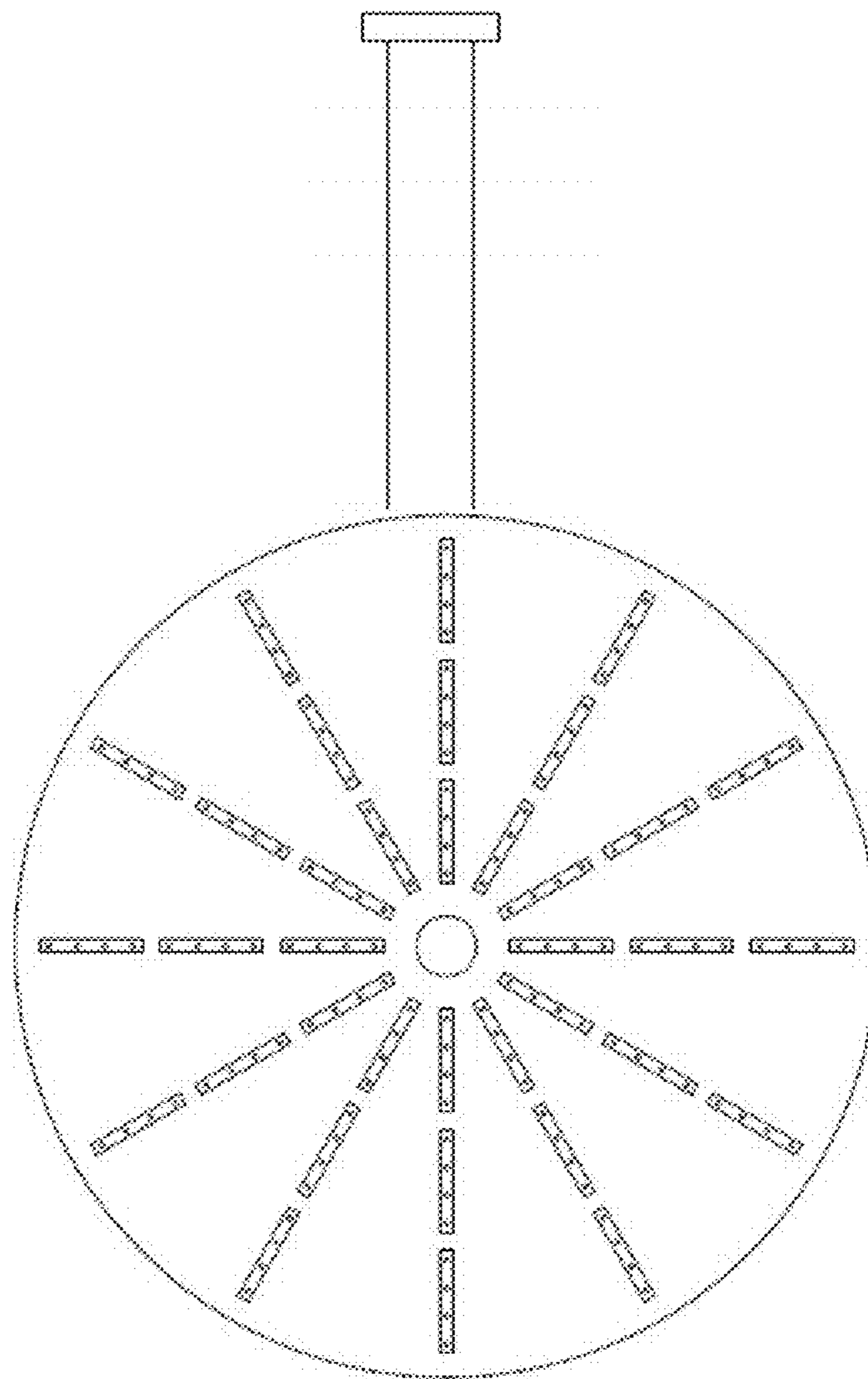


FIG. 24

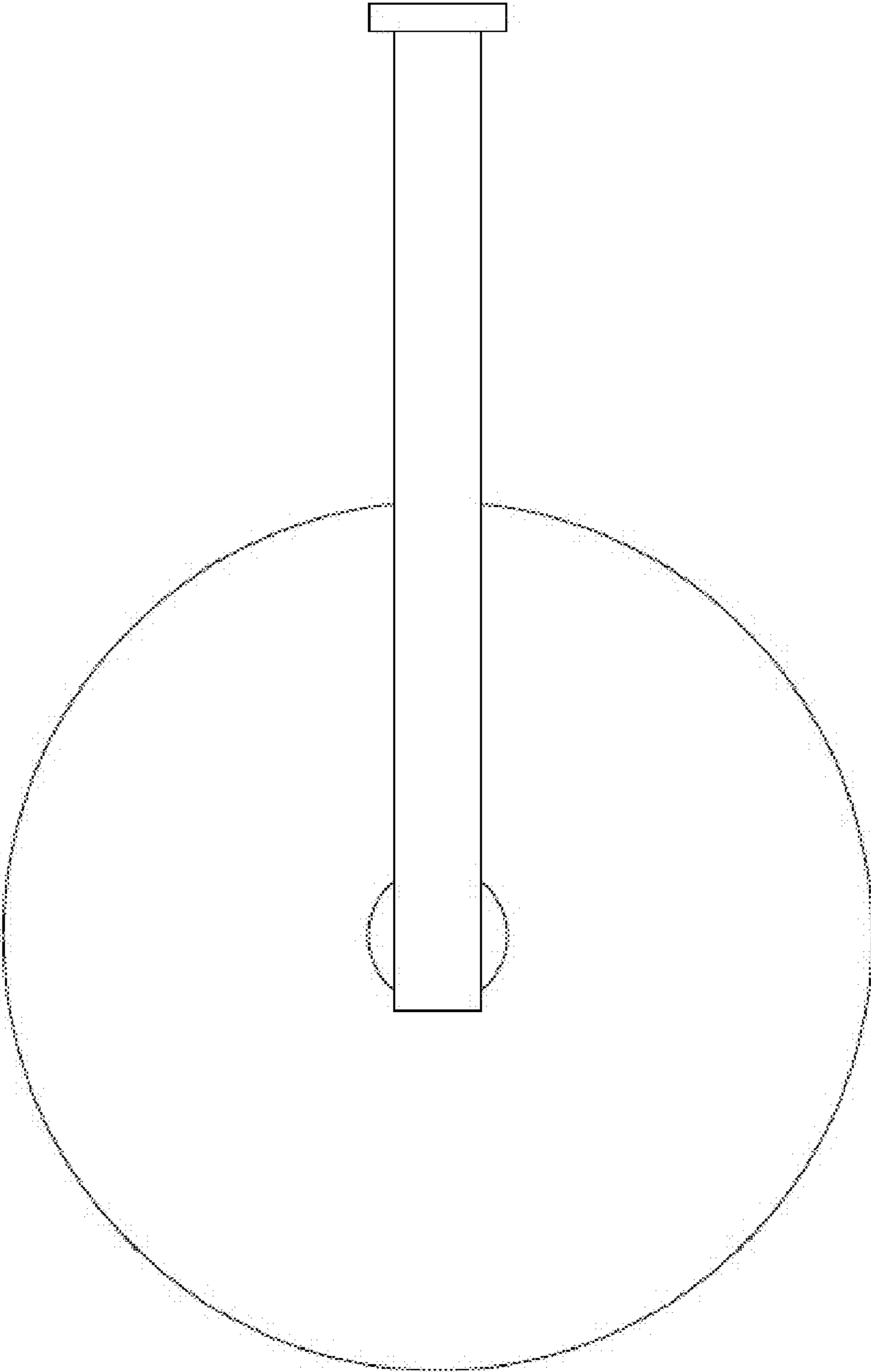


FIG. 25

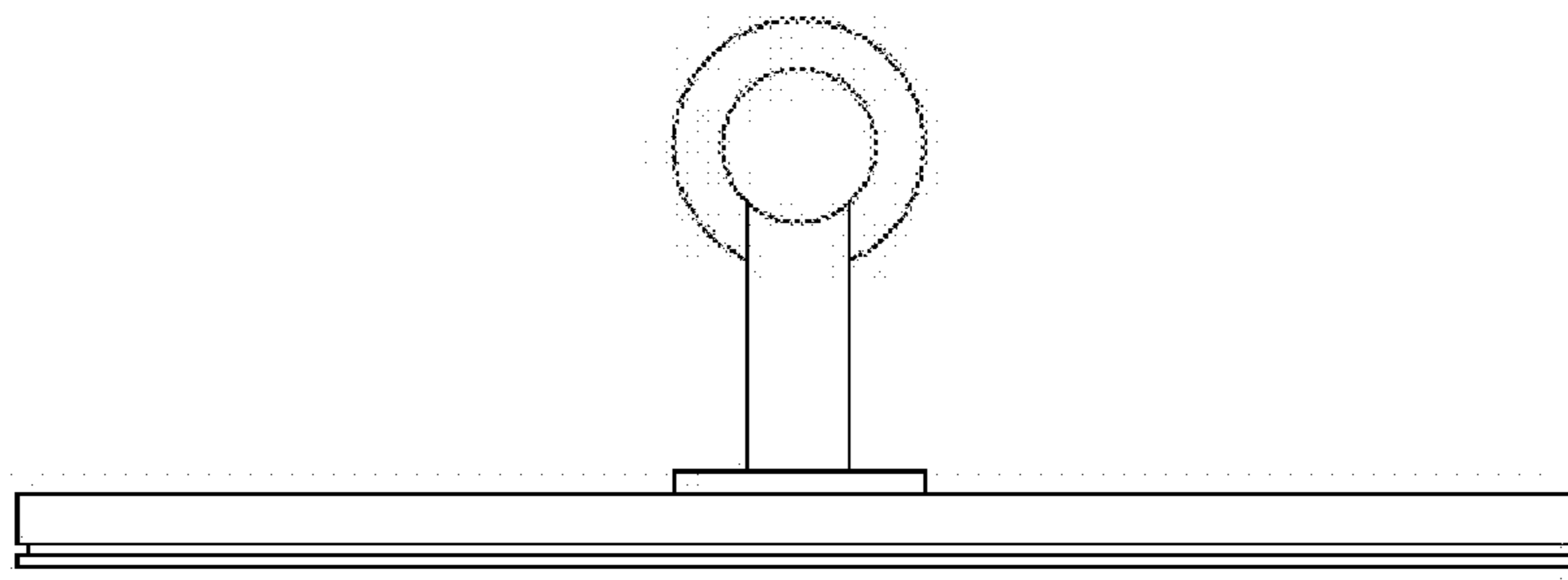


FIG. 26

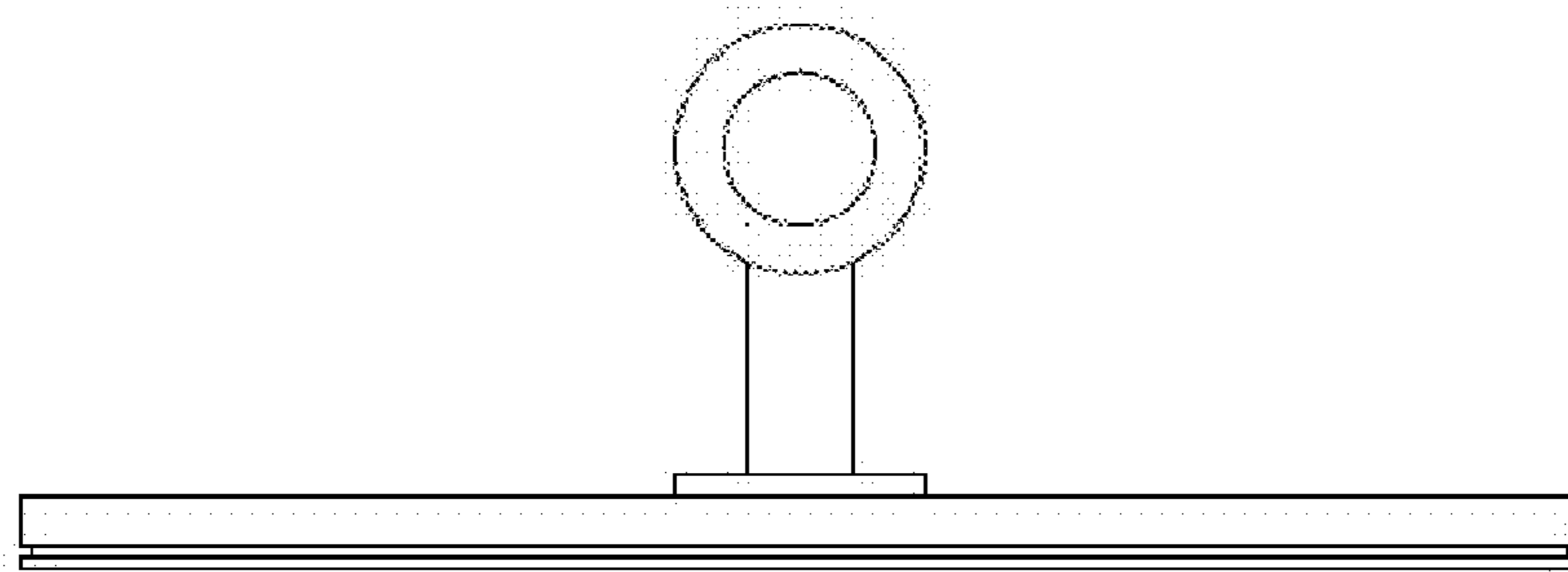


FIG. 27

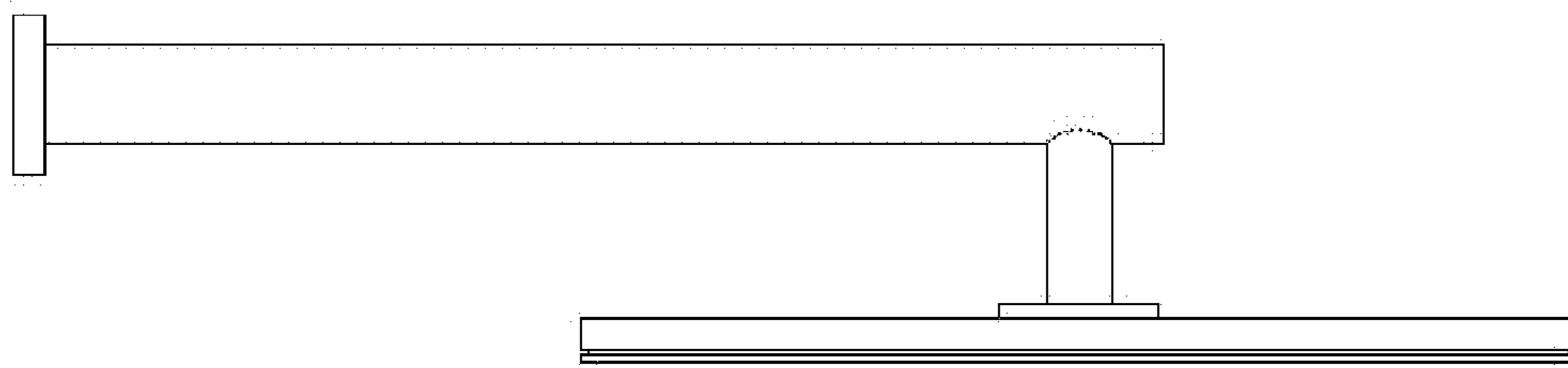


FIG. 28

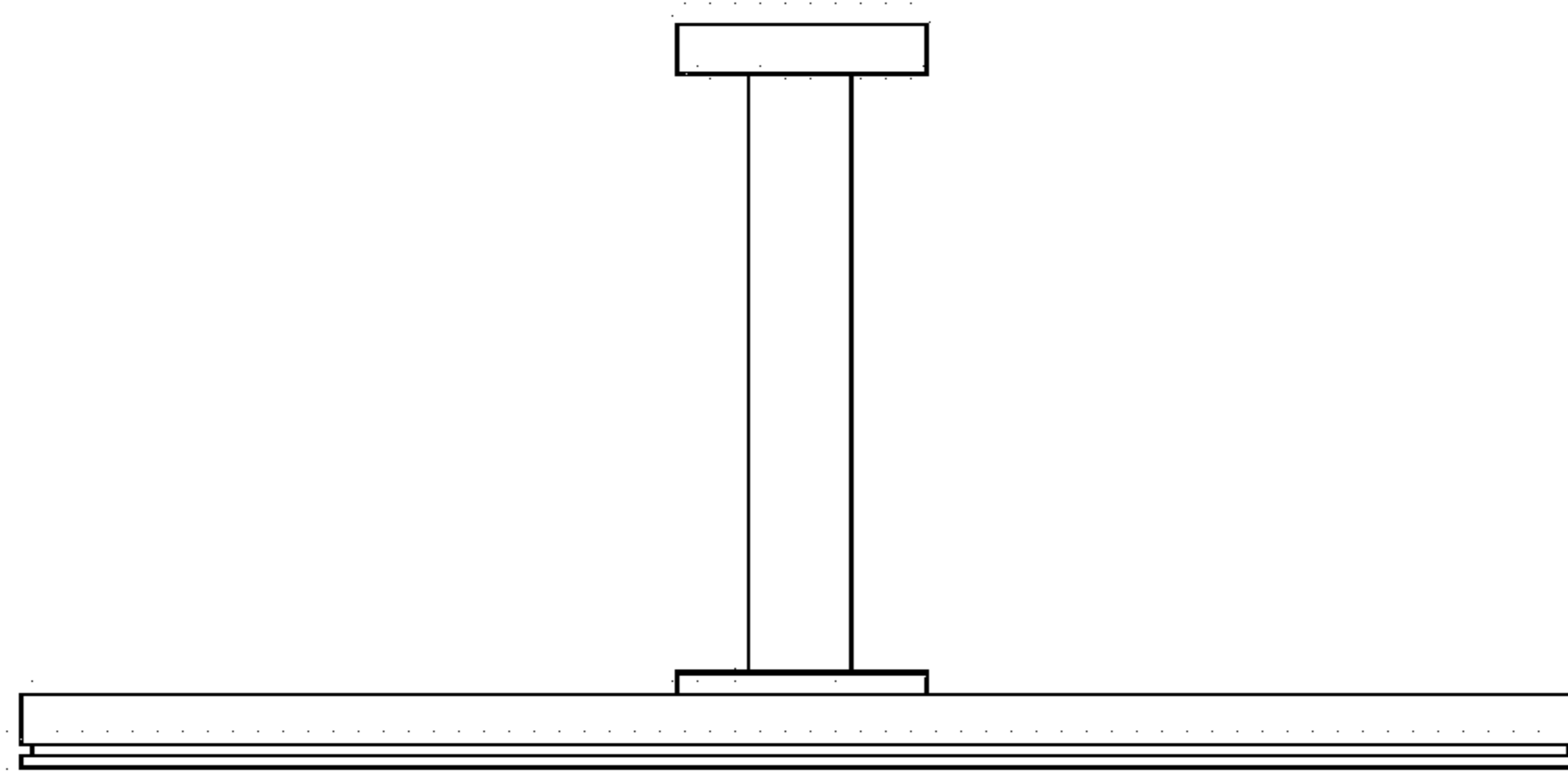


FIG. 29

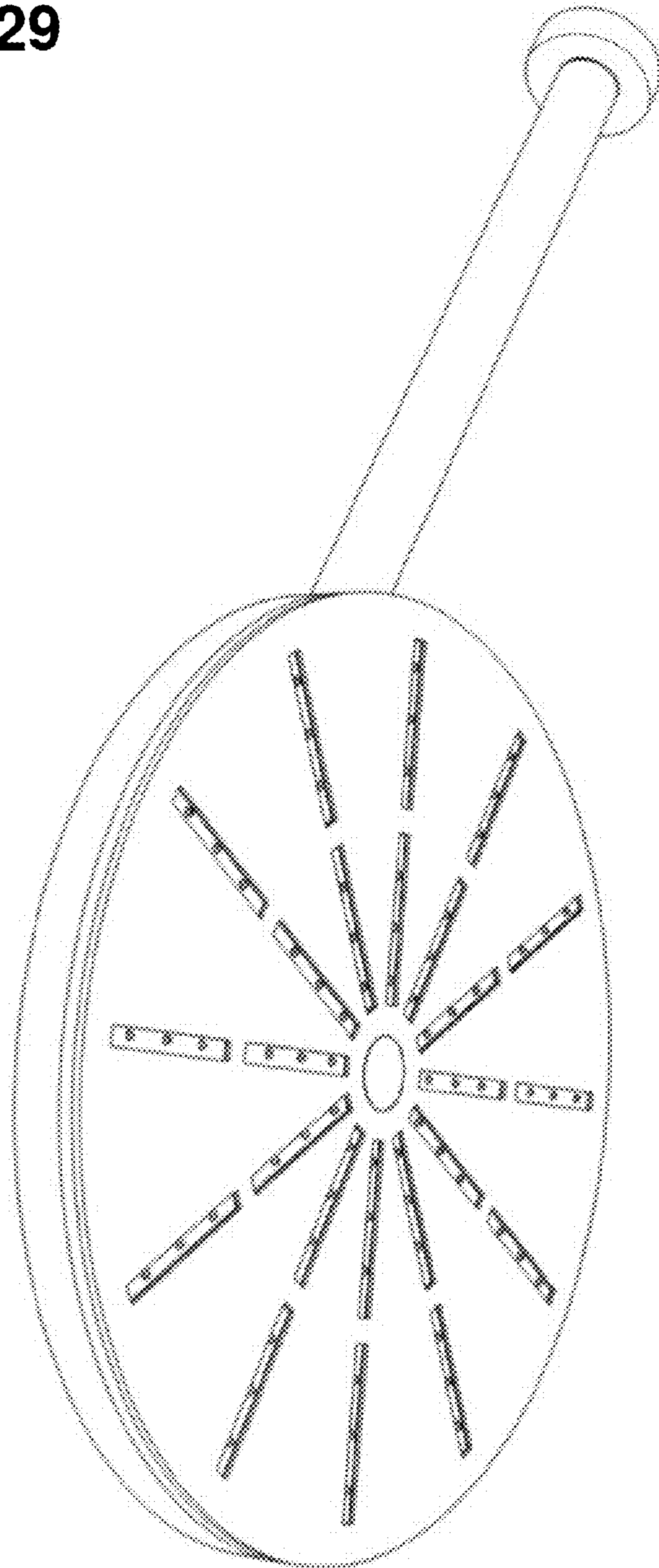


FIG. 30

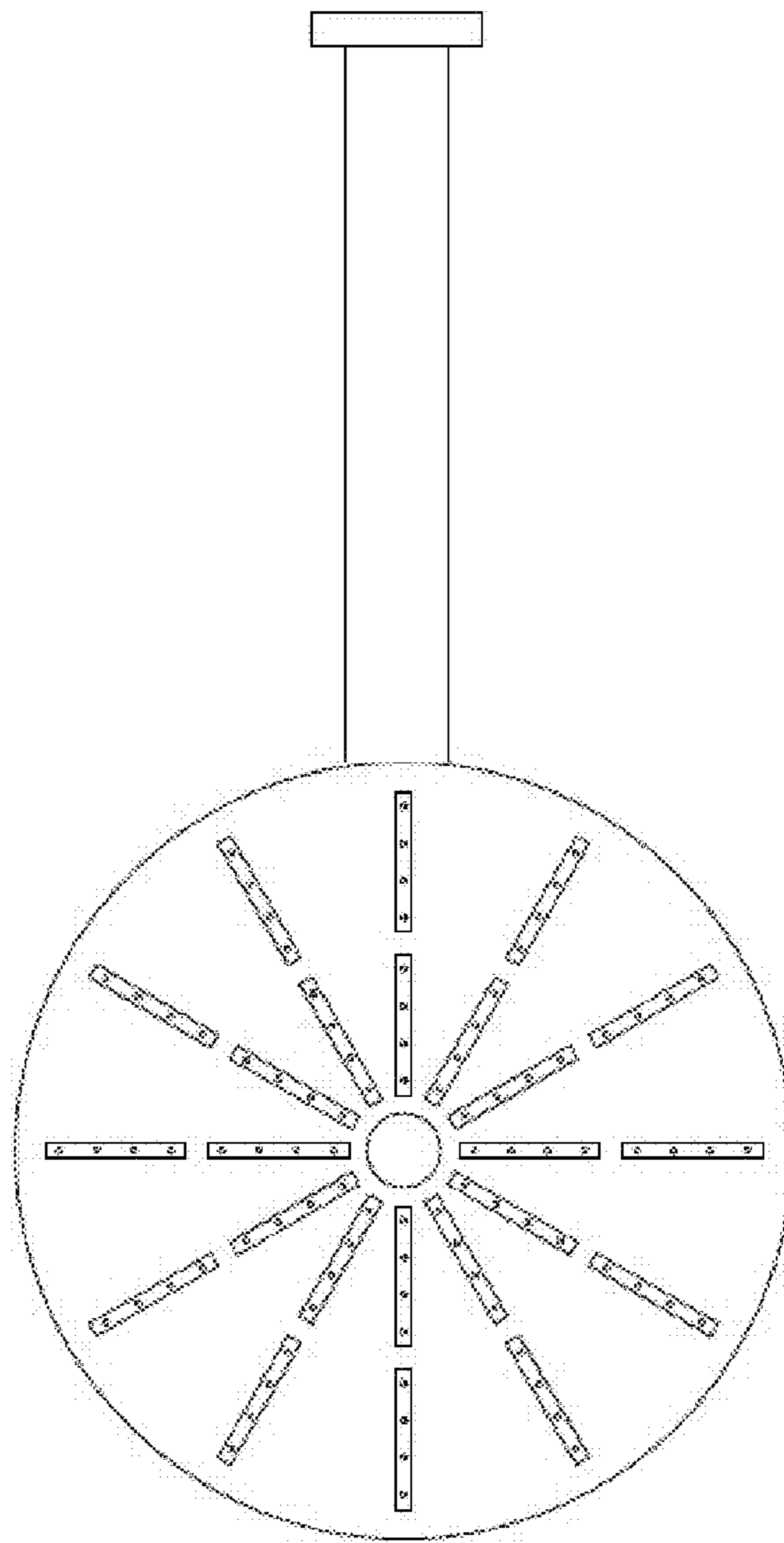


FIG. 31

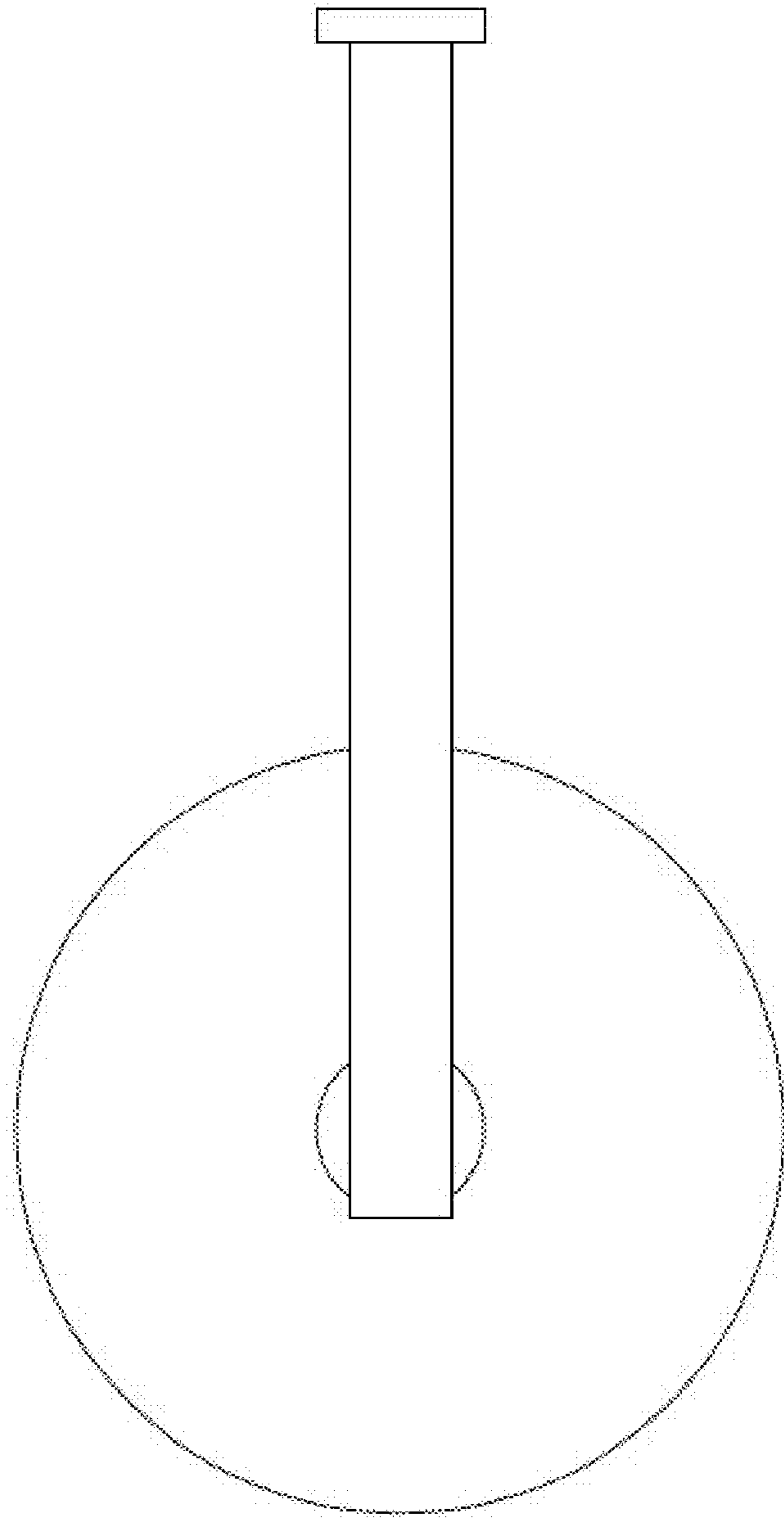


FIG. 32

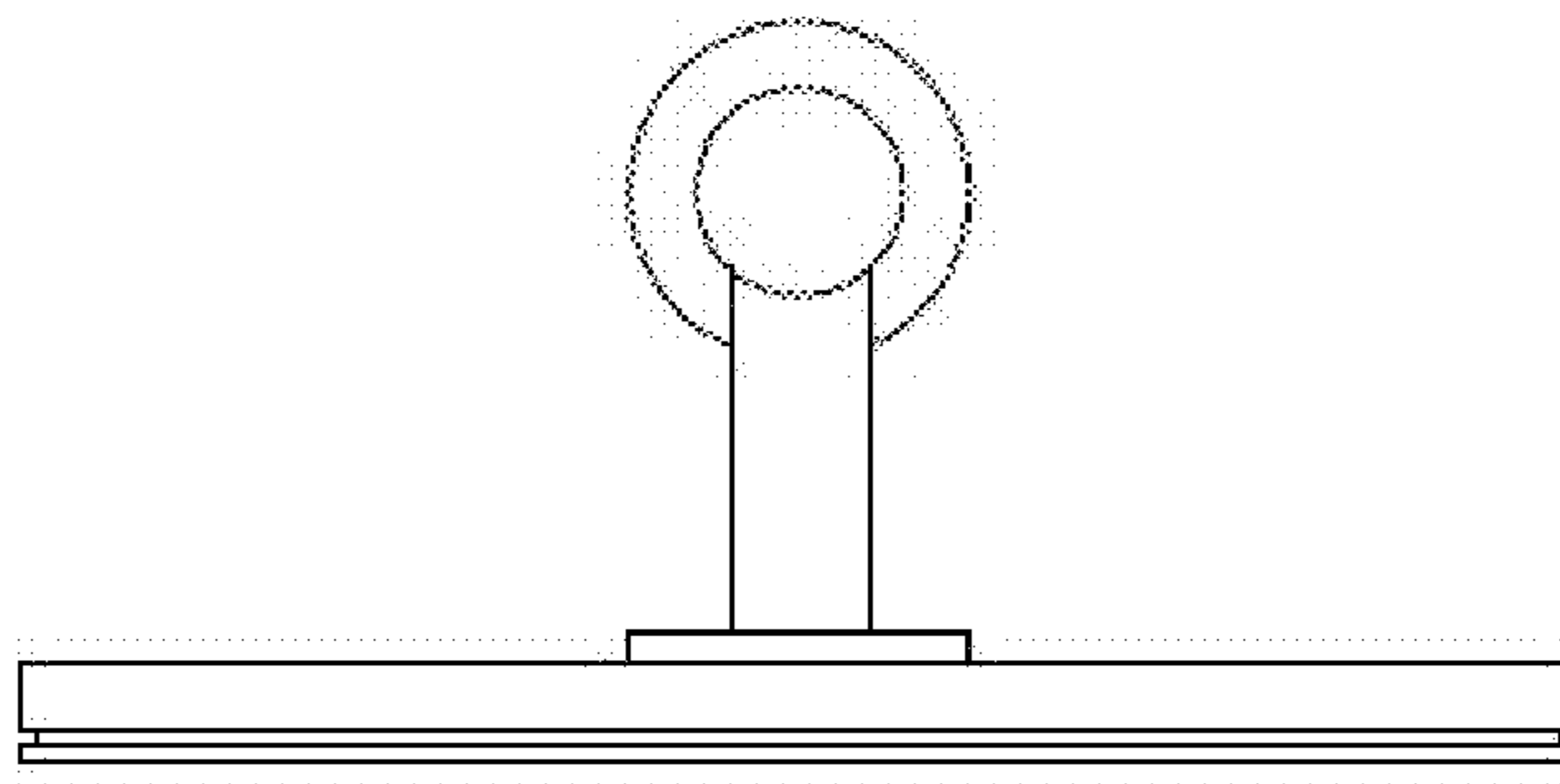


FIG. 33

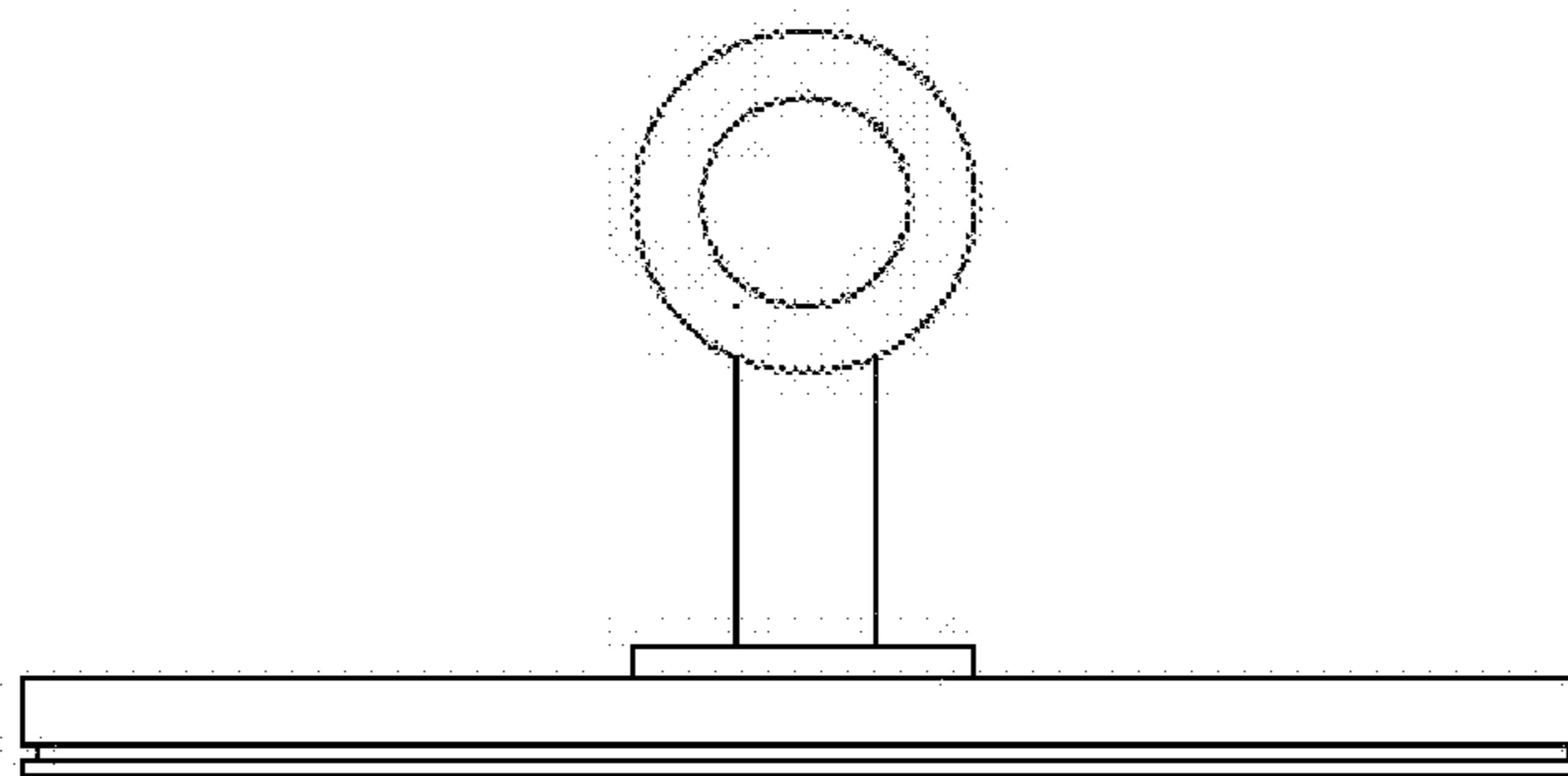


FIG. 34

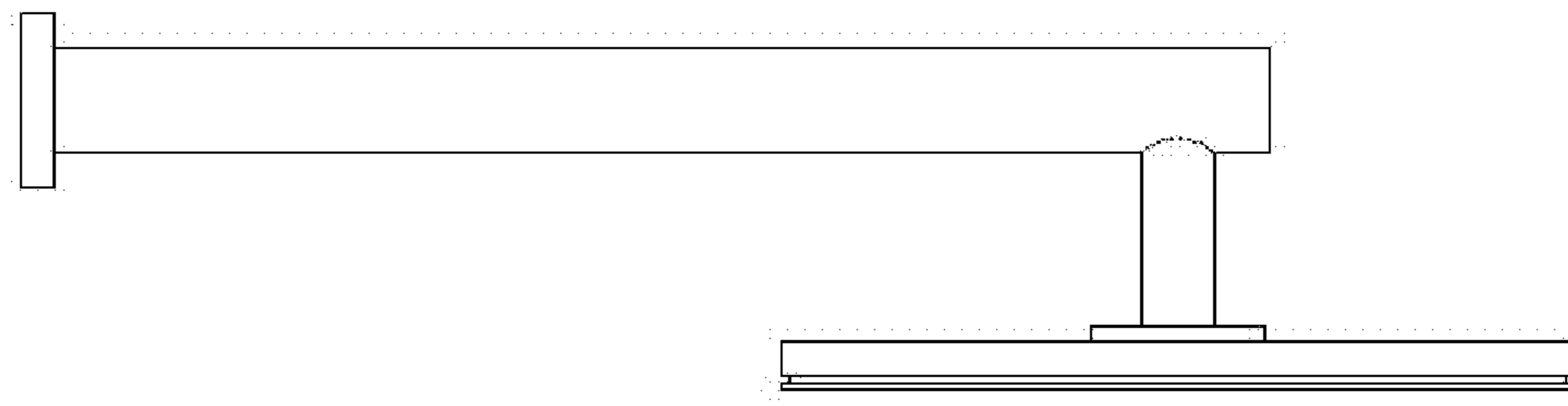


FIG. 35

