



US00D694855S

(12) **United States Design Patent**
Orr et al.

(10) **Patent No.:** **US D694,855 S**
(45) **Date of Patent:** **** Dec. 3, 2013**

- (54) **PIP CAP ASSEMBLY FOR A FIRE PROTECTION SPRINKLER**
- (71) Applicant: **The Viking Corporation**, Hastings, MI (US)
- (72) Inventors: **Shawn G. Orr**, Grand Rapids, MI (US); **David Vaneerden**, Middleville, MI (US)
- (73) Assignee: **The Viking Corporation**, Hastings, MI (US)
- (**) Term: **14 Years**
- (21) Appl. No.: **29/439,516**
- (22) Filed: **Dec. 12, 2012**
- (51) **LOC (9) Cl.** **23-01**
- (52) **U.S. Cl.**
USPC **D23/214**
- (58) **Field of Classification Search**
USPC D23/213, 214; 169/37-39; 239/288, 239/288.3; 137/382
See application file for complete search history.

4,944,424 A *	7/1990	Wood, Jr.	220/724
4,991,656 A	2/1991	Polan	
5,020,601 A	6/1991	Retzloff et al.	
5,299,645 A	4/1994	Hoening et al.	
5,494,114 A	2/1996	Hoening et al.	
5,713,524 A	2/1998	Greene et al.	
D395,484 S *	6/1998	Jepsen	D23/213
D438,933 S *	3/2001	Sundholm	D23/213
6,854,668 B2	2/2005	Wancho et al.	
6,868,916 B2	3/2005	Petersen	
D507,328 S *	7/2005	Clive	D23/214
7,314,093 B2	1/2008	Orr	
D611,570 S *	3/2010	Yang	D23/214
7,735,569 B2	6/2010	Green	
D662,569 S *	6/2012	McKay et al.	D23/214
2005/0081380 A1	4/2005	Knoblauch	
2007/0007018 A1	1/2007	Kong	

* cited by examiner

Primary Examiner — Robin V Webster

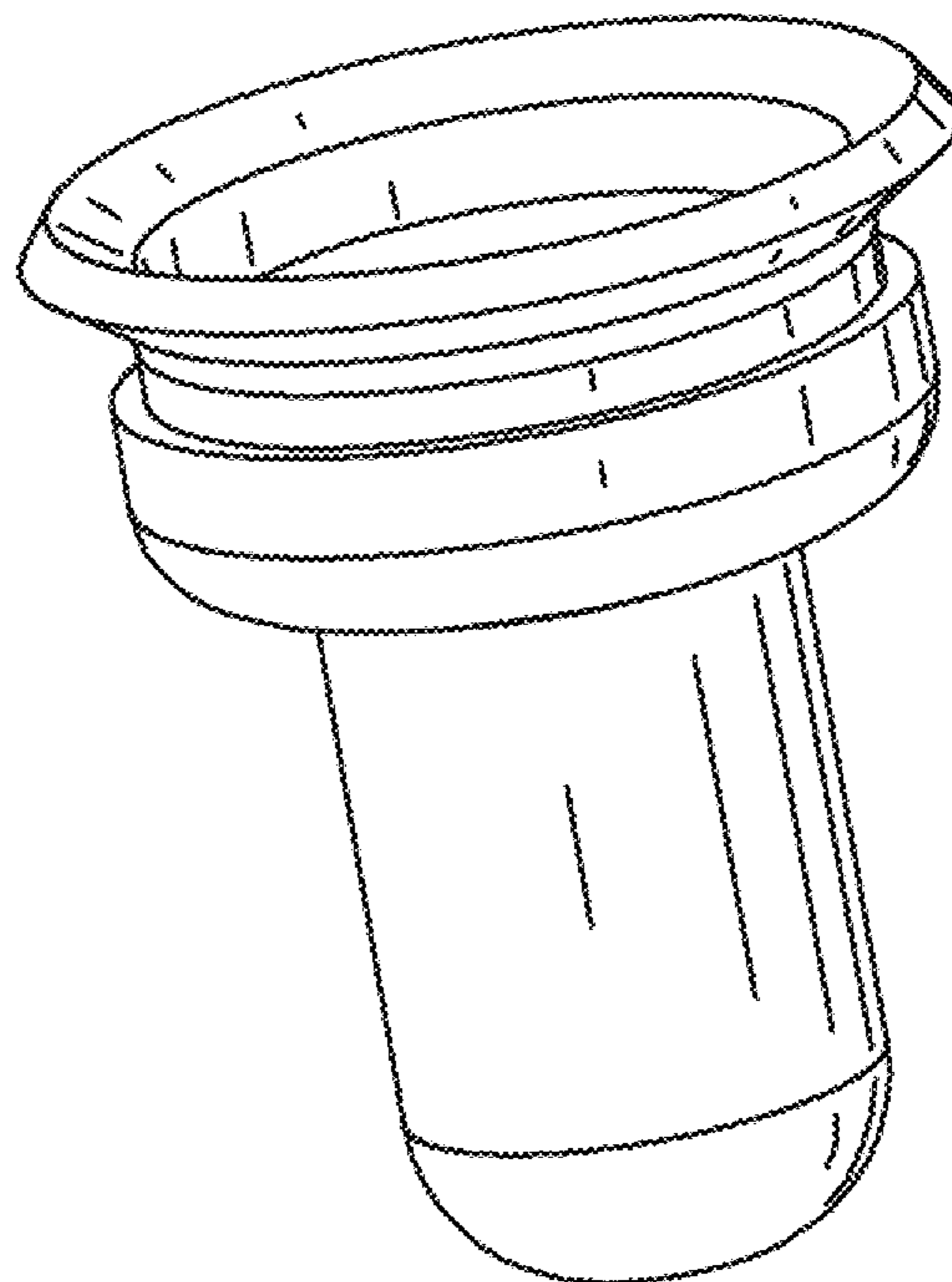
(57) **CLAIM**
The ornamental design for a pip cap assembly for a fire protection sprinkler, as shown and described.

DESCRIPTION

FIG. 1 is a perspective view of a pip cap assembly for a fire protection sprinkler;
FIG. 2 is a front view of the pip cap assembly of FIG. 1 (the side and rear views are identical to the front view);
FIG. 3 is a top view of the pip cap assembly of FIG. 1; and,
FIG. 4 is a bottom view of the pip cap assembly of FIG. 1.

1 Claim, 1 Drawing Sheet

- (56) **References Cited**
U.S. PATENT DOCUMENTS
- 2,370,243 A 2/1945 Henshaw
- 2,727,526 A * 12/1955 Nickle 137/382
- 3,663,720 A 5/1972 Thompson
- 4,109,727 A 8/1978 Job et al.
- 4,217,961 A 8/1980 Wotton



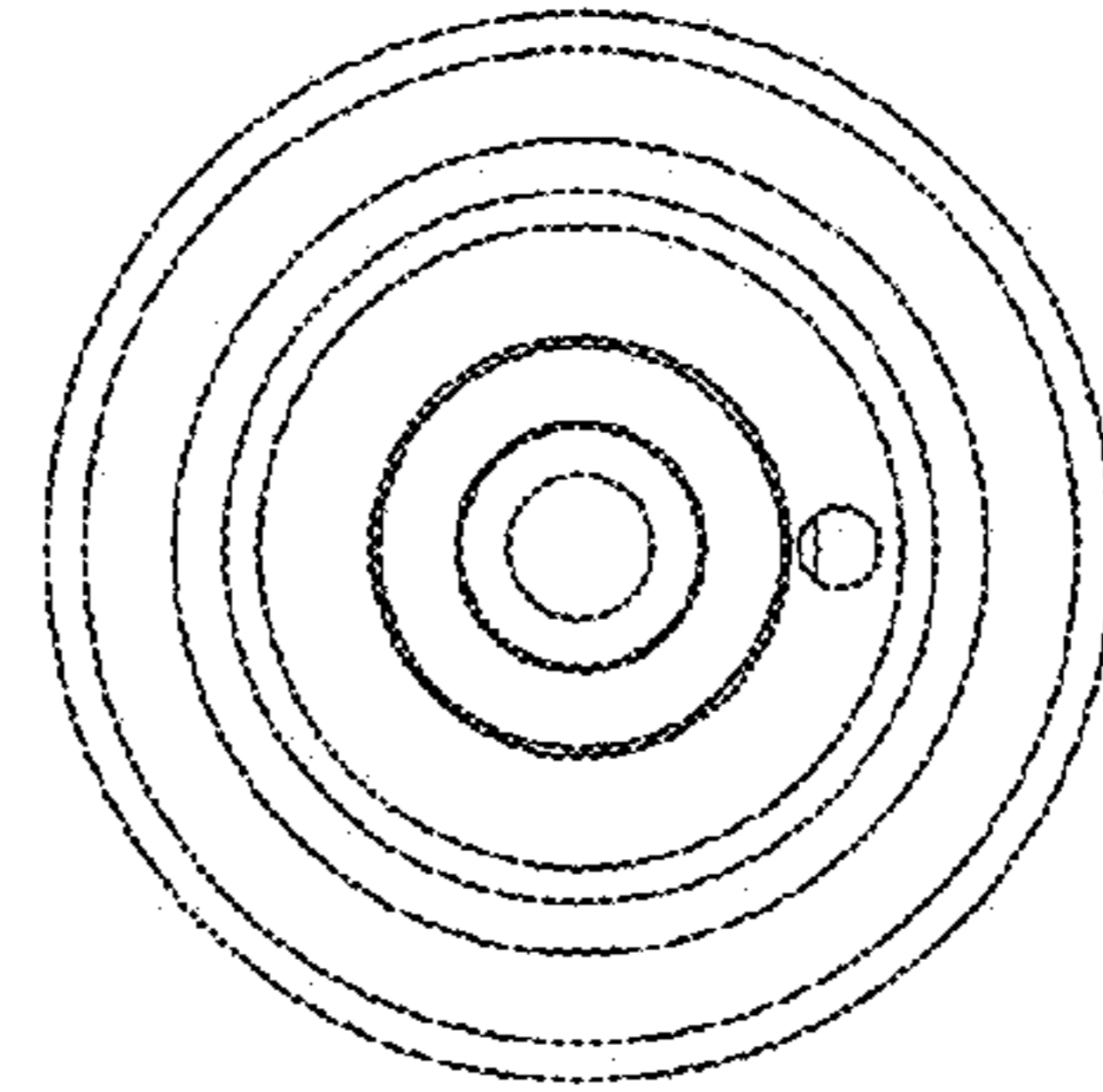


FIG 3

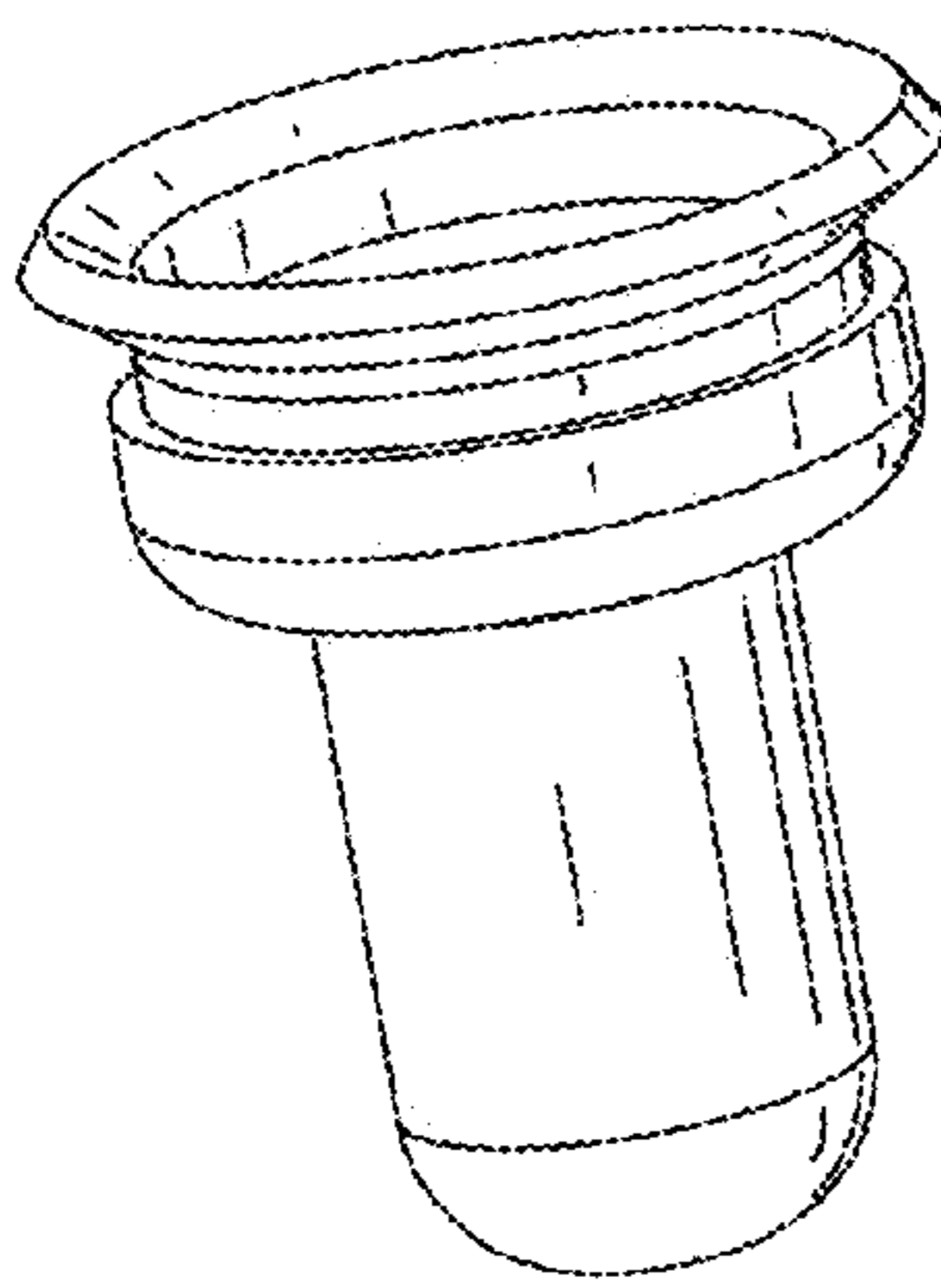


FIG 1

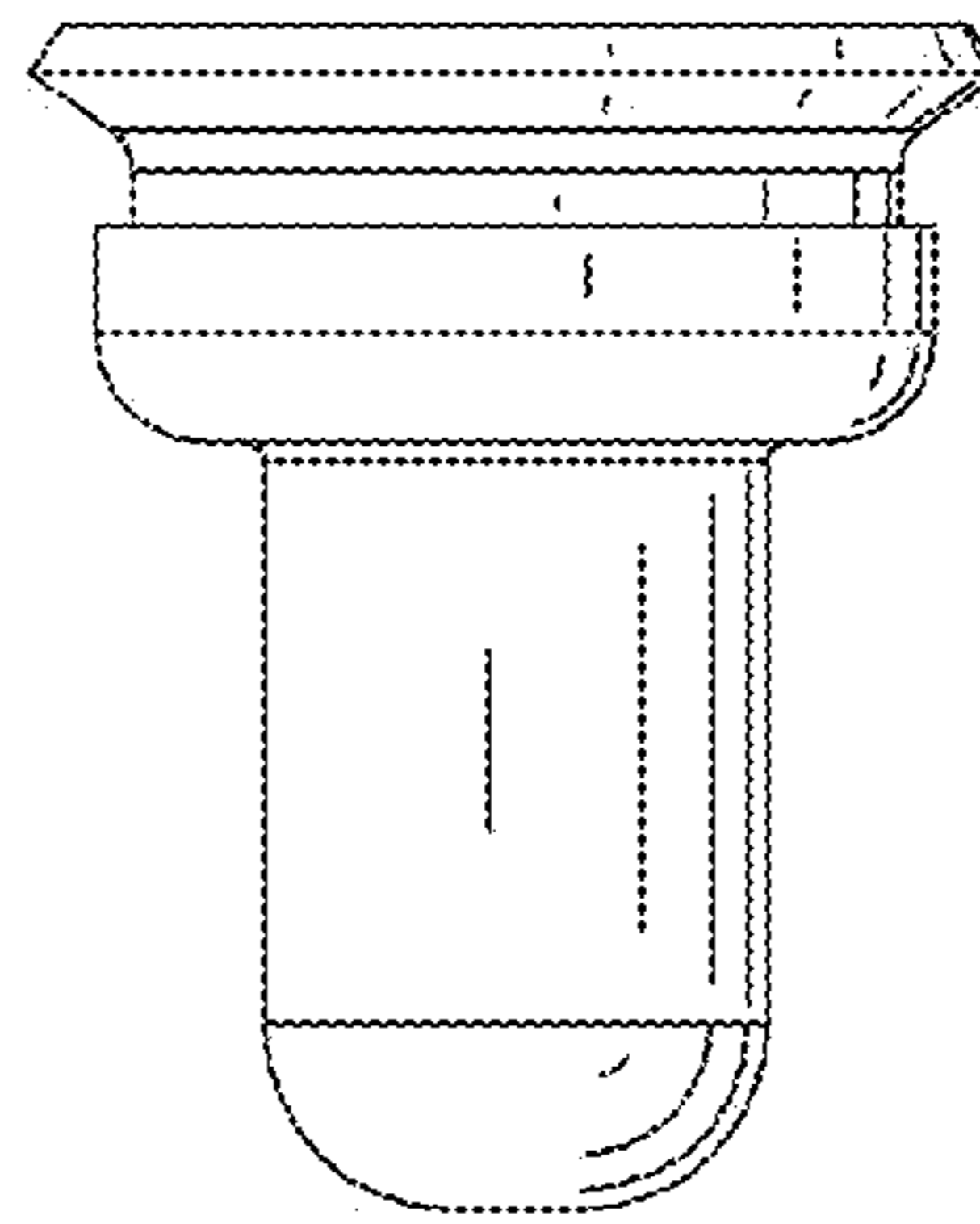


FIG 2

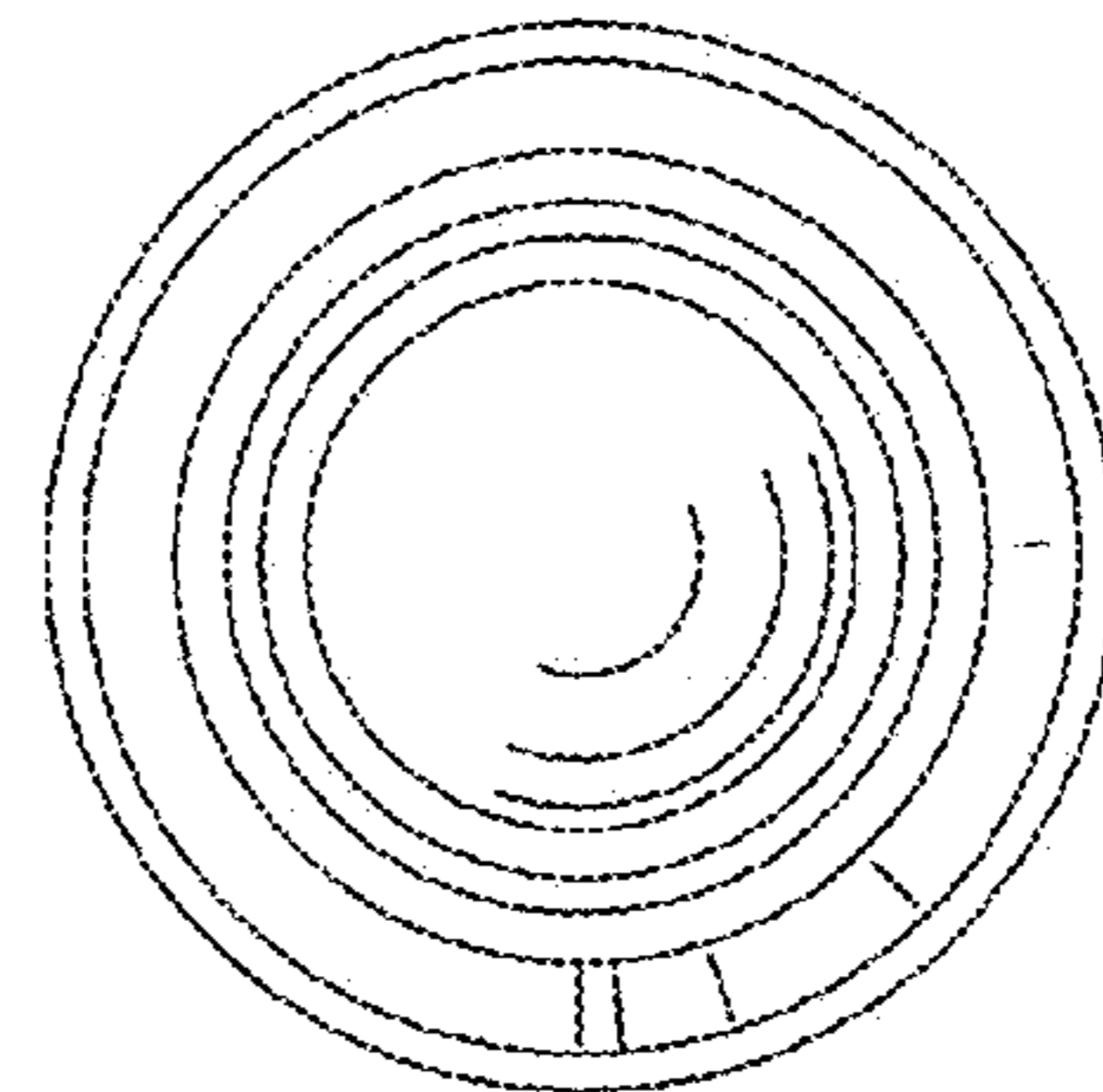


FIG 4