



US00D694851S

(12) **United States Design Patent**  
**Solakian**

(10) **Patent No.:** **US D694,851 S**

(45) **Date of Patent:** **\*\* Dec. 3, 2013**

(54) **SWIMMING POOL SKIMMER BASKET**

(71) Applicant: **Michael S. Solakian**, Santa Clarita, CA  
(US)

(72) Inventor: **Michael S. Solakian**, Santa Clarita, CA  
(US)

(\*\*) Term: **14 Years**

(21) Appl. No.: **29/435,180**

(22) Filed: **Oct. 19, 2012**

(51) **LOC (9) Cl.** ..... **23-01**

(52) **U.S. Cl.**  
USPC ..... **D23/209**

(58) **Field of Classification Search**  
USPC ..... D23/207-210, 261; 210/167.19,  
210/167.26, 499

See application file for complete search history.

(56) **References Cited**

**U.S. PATENT DOCUMENTS**

D28,964 S	6/1898	Wieber	
D35,722 S	2/1902	Ebsen	
D236,204 S *	8/1975	Cooper	D23/261
D253,082 S *	10/1979	Moncrief	D7/400
D255,480 S *	6/1980	Zieg	D23/209
4,725,352 A	2/1988	Haliotis	
D294,963 S	3/1988	Alanis	
5,417,906 A *	5/1995	Chiodo	264/153
D380,535 S	7/1997	Joergensen	
5,888,386 A *	3/1999	Enright et al.	210/167.11
6,007,714 A	12/1999	Keith	
6,592,756 B1 *	7/2003	Felix et al.	210/167.12
6,716,342 B1 *	4/2004	Tilsner	210/167.12
D550,805 S	9/2007	Hazlehurst	
D557,374 S	12/2007	Pecca	
D565,149 S	3/2008	Slawomir	
D600,324 S *	9/2009	Vreeland	D23/261
D604,800 S	11/2009	Vreeland	
D620,999 S *	8/2010	Vreeland	D23/209
7,815,797 B1 *	10/2010	Keith	210/167.19
D649,220 S	11/2011	Vreeland	
8,192,634 B2 *	6/2012	Gilles	210/781

\* cited by examiner

*Primary Examiner* — Robin V Webster

(74) *Attorney, Agent, or Firm* — QuickPatents; Kevin Prince

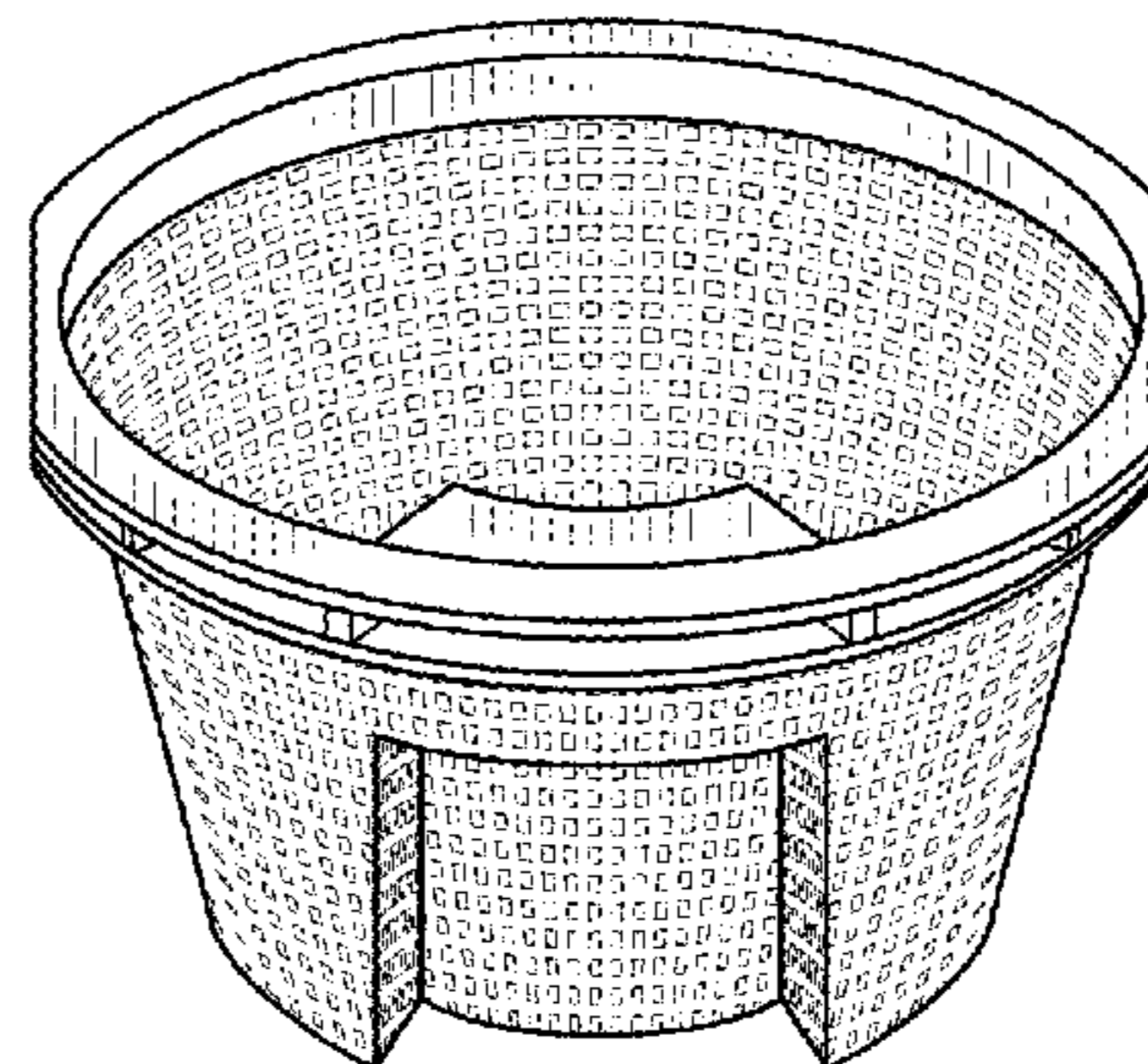
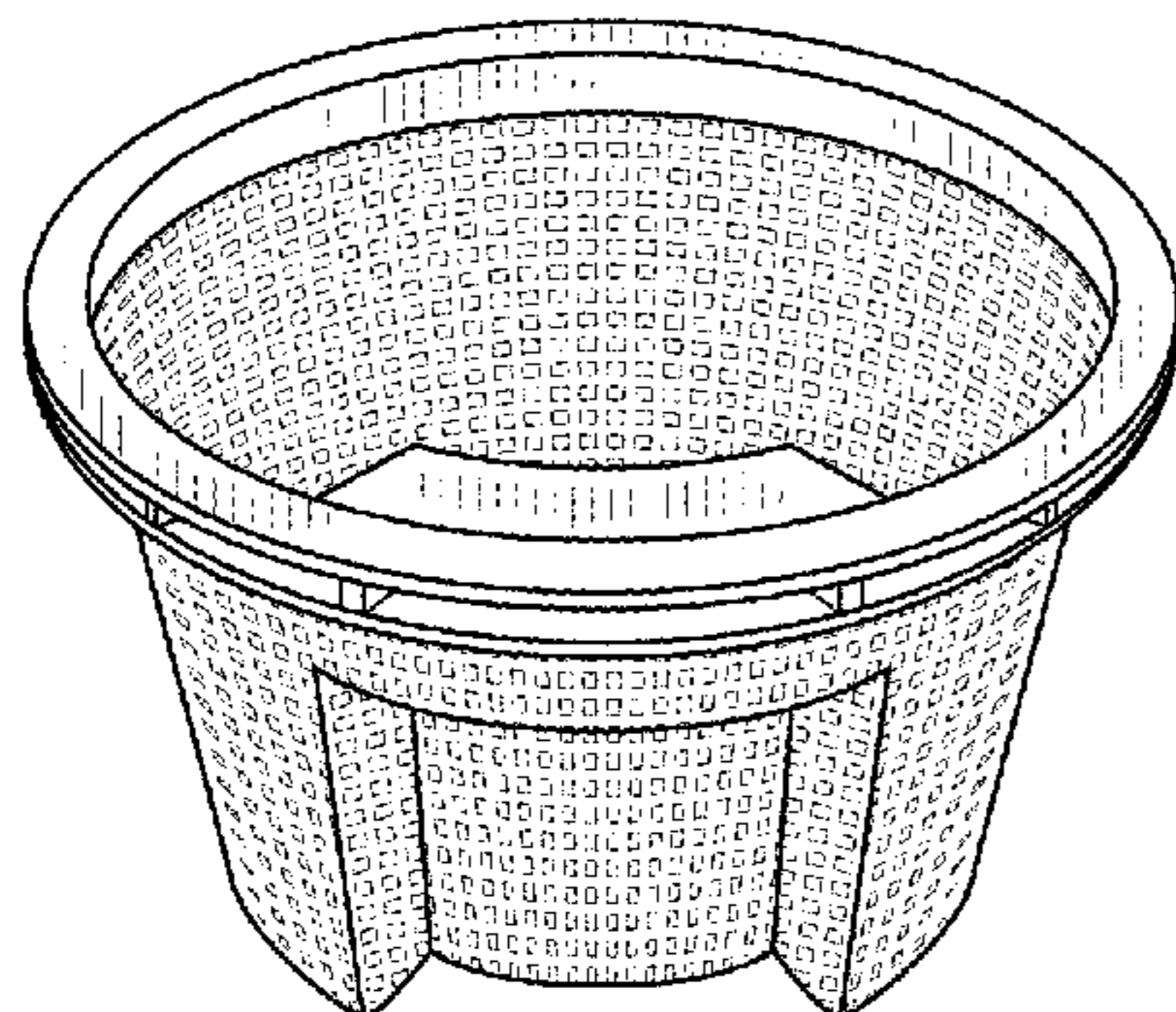
(57) **CLAIM**

I claim the ornamental design for a swimming pool skimmer basket, as shown and described.

**DESCRIPTION**

FIG. 1 is a perspective view of a swimming pool skimmer basket, showing a first embodiment of my new design;  
 FIG. 2 is a front elevational view of FIG. 1;  
 FIG. 3 is a rear elevational view of FIG. 1;  
 FIG. 4 is a right-side elevational view of FIG. 1, the left-side elevational view being a mirror image thereof;  
 FIG. 5 is a top plan view of FIG. 1;  
 FIG. 6 is a bottom plan view of FIG. 1;  
 FIG. 7 is a perspective view of a second embodiment;  
 FIG. 8 is a front elevational view of FIG. 7;  
 FIG. 9 is a rear elevational view of FIG. 7;  
 FIG. 10 is a right-side elevational view of FIG. 7, the left-side elevational view being a mirror image thereof;  
 FIG. 11 is a top plan view of FIG. 7;  
 FIG. 12 is a bottom plan view of FIG. 7;  
 FIG. 13 is a perspective view of a third embodiment;  
 FIG. 14 is a front elevational view of FIG. 13;  
 FIG. 15 is a rear elevational view of FIG. 13;  
 FIG. 16 is a right-side elevational view of FIG. 13, the left-side elevational view being a mirror image thereof;  
 FIG. 17 is a top plan view of FIG. 13;  
 FIG. 18 is a bottom plan view of FIG. 13;  
 FIG. 19 is a perspective view of a fourth embodiment;  
 FIG. 20 is a front elevational view of FIG. 19;  
 FIG. 21 is a rear elevational view of FIG. 19;  
 FIG. 22 is a right-side elevational view of FIG. 19, the left-side elevational view being a mirror image thereof;  
 FIG. 23 is a top plan view of FIG. 19; and,  
 FIG. 24 is a bottom plan view of FIG. 19.

**1 Claim, 6 Drawing Sheets**



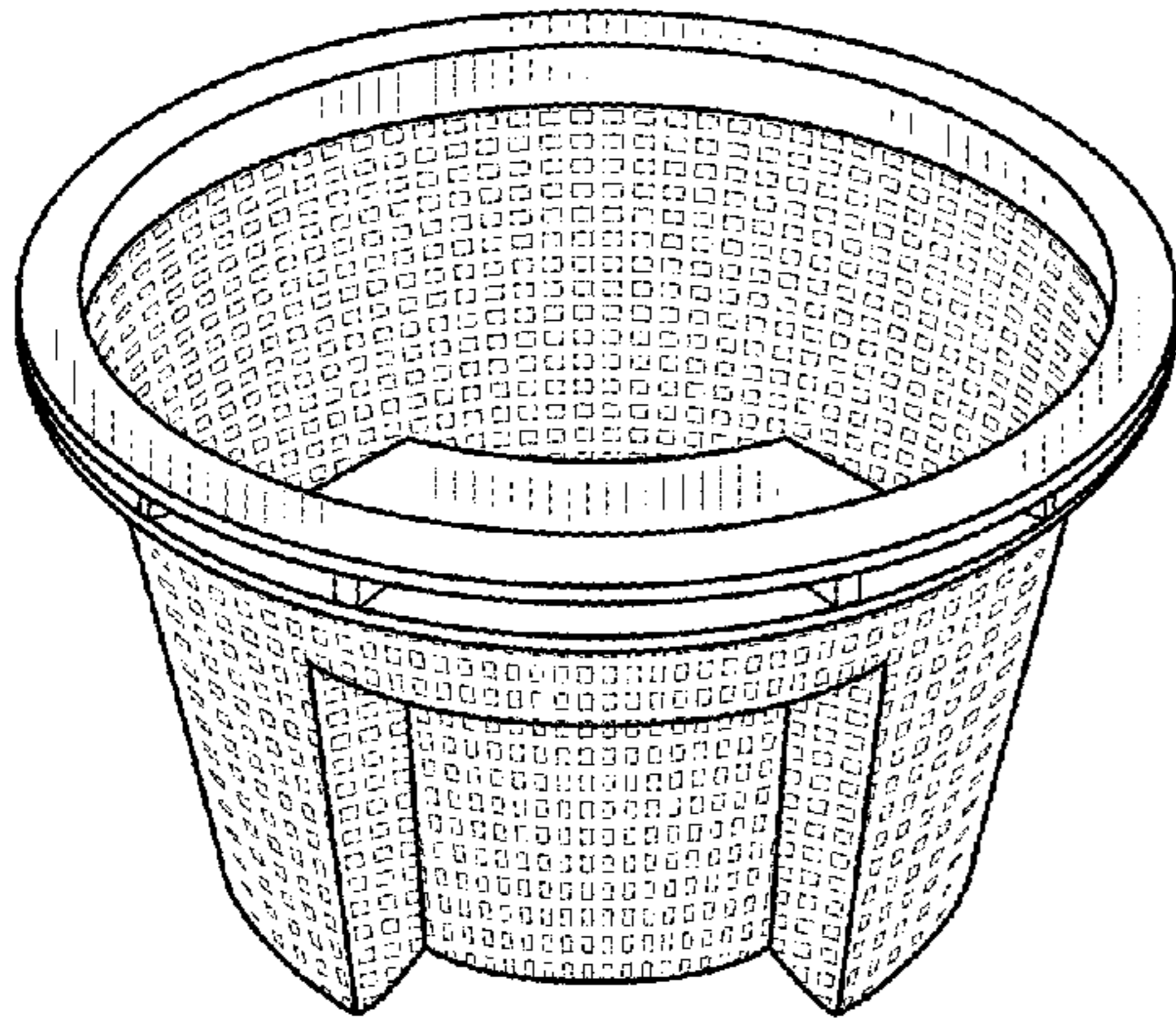


FIG. 1

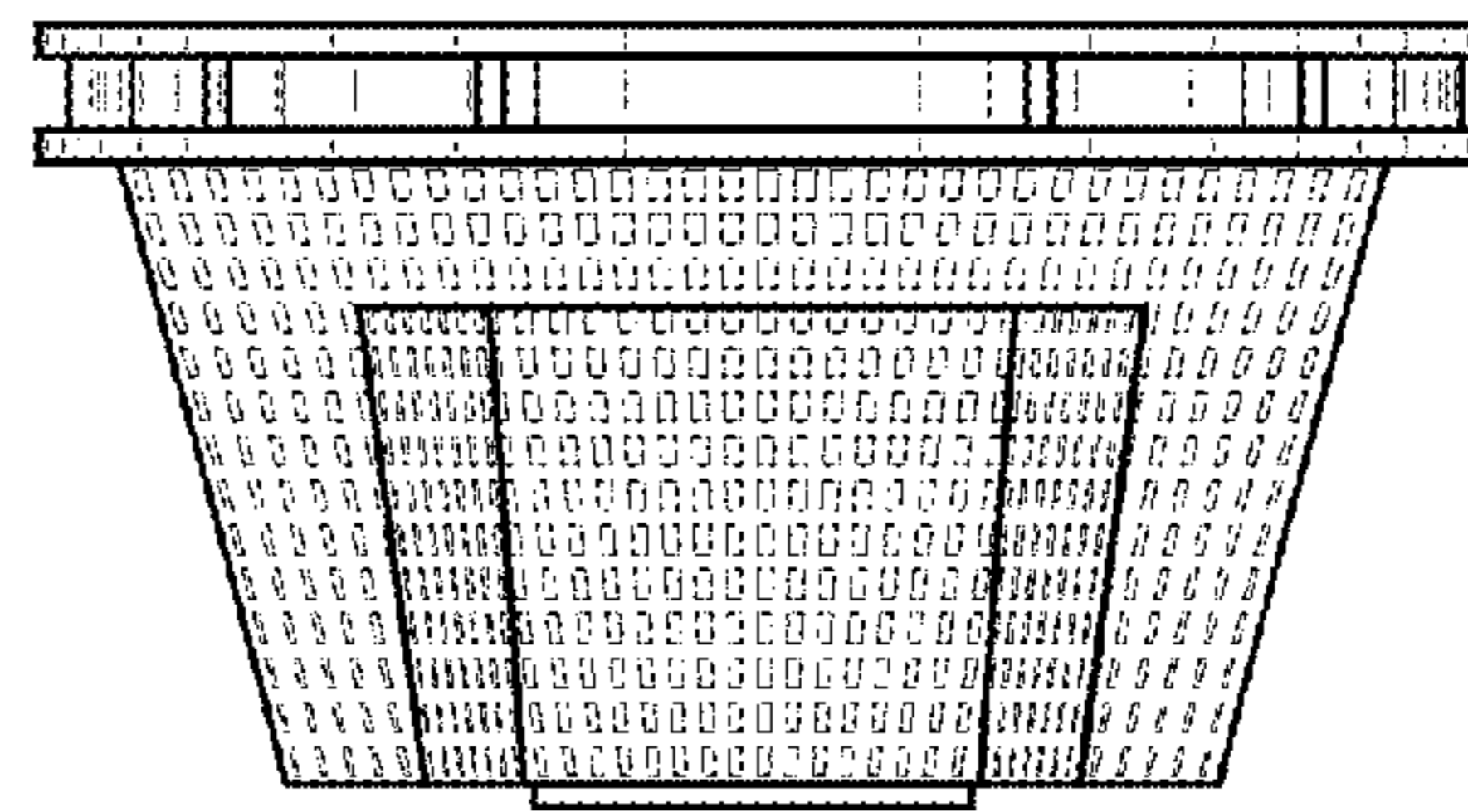


FIG. 2

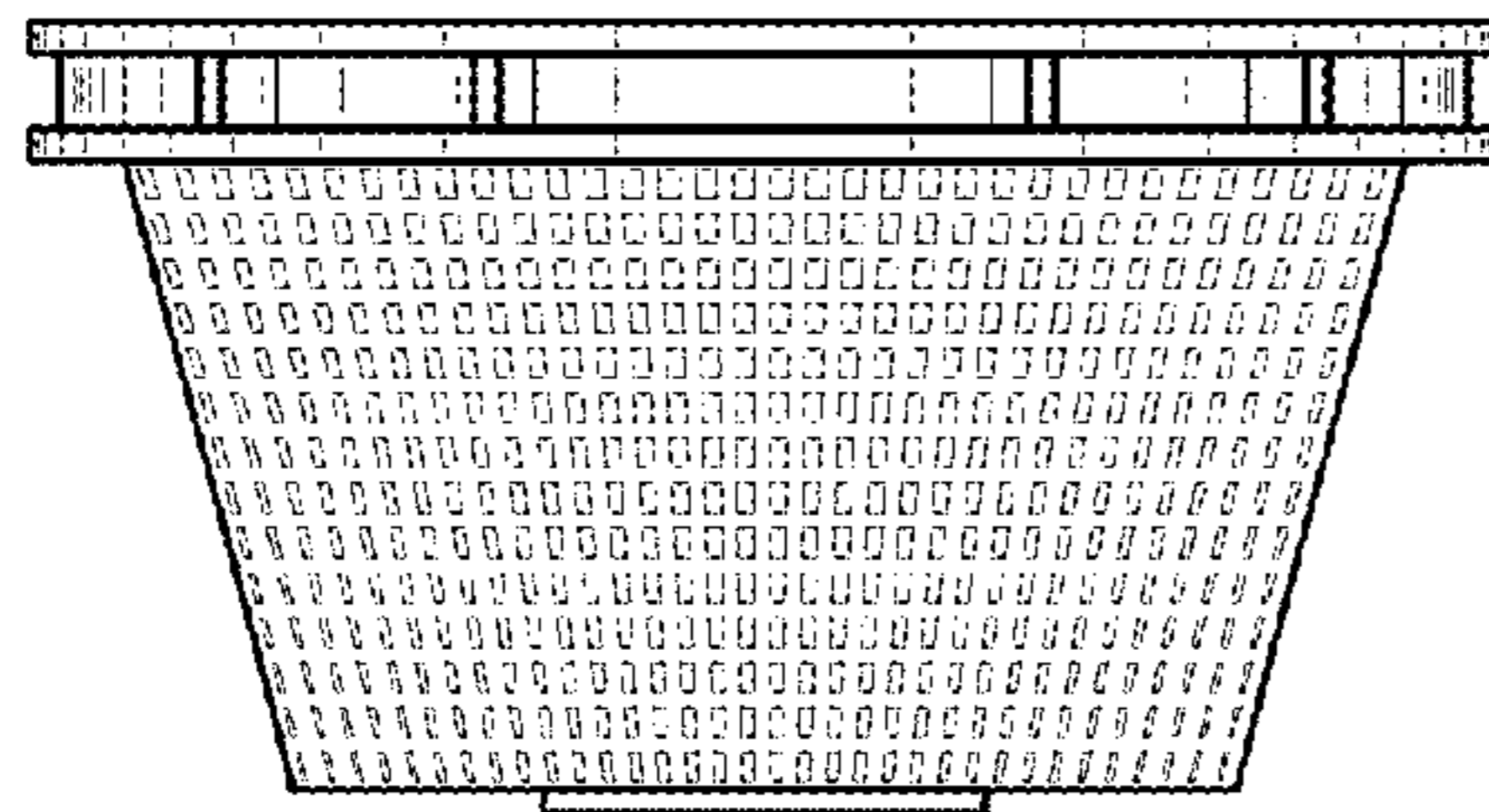


FIG. 3

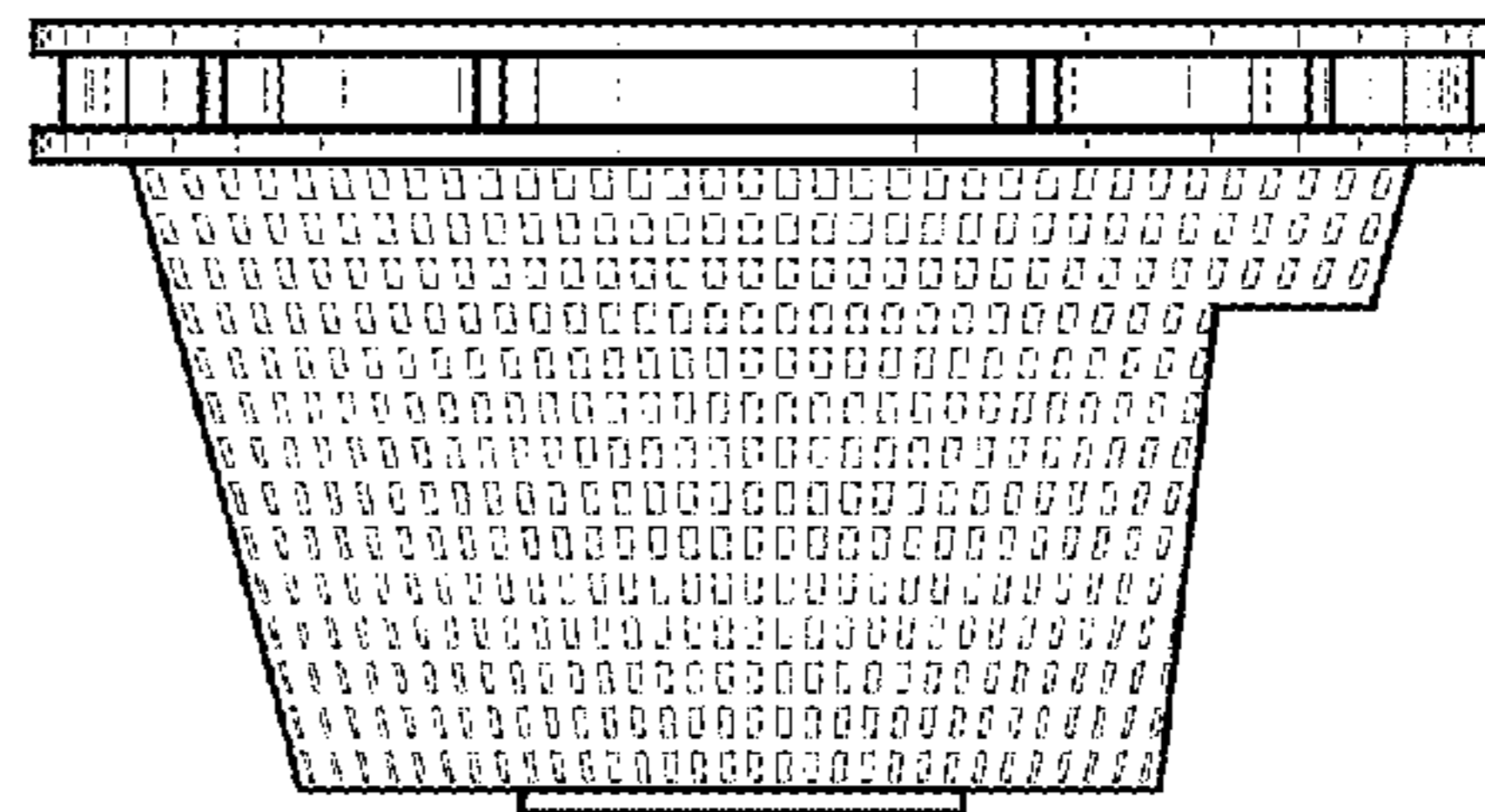


FIG. 4

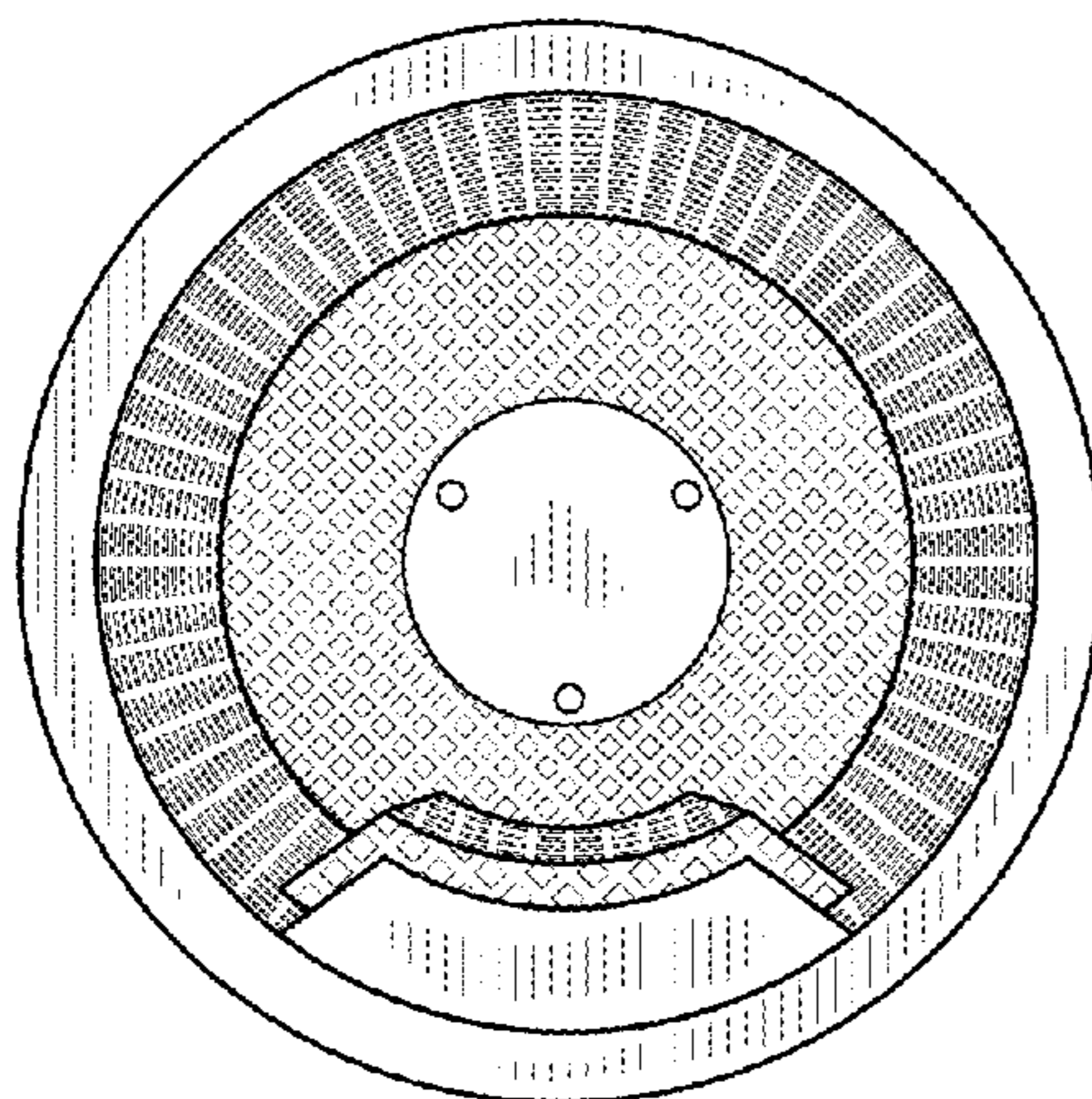


FIG. 5

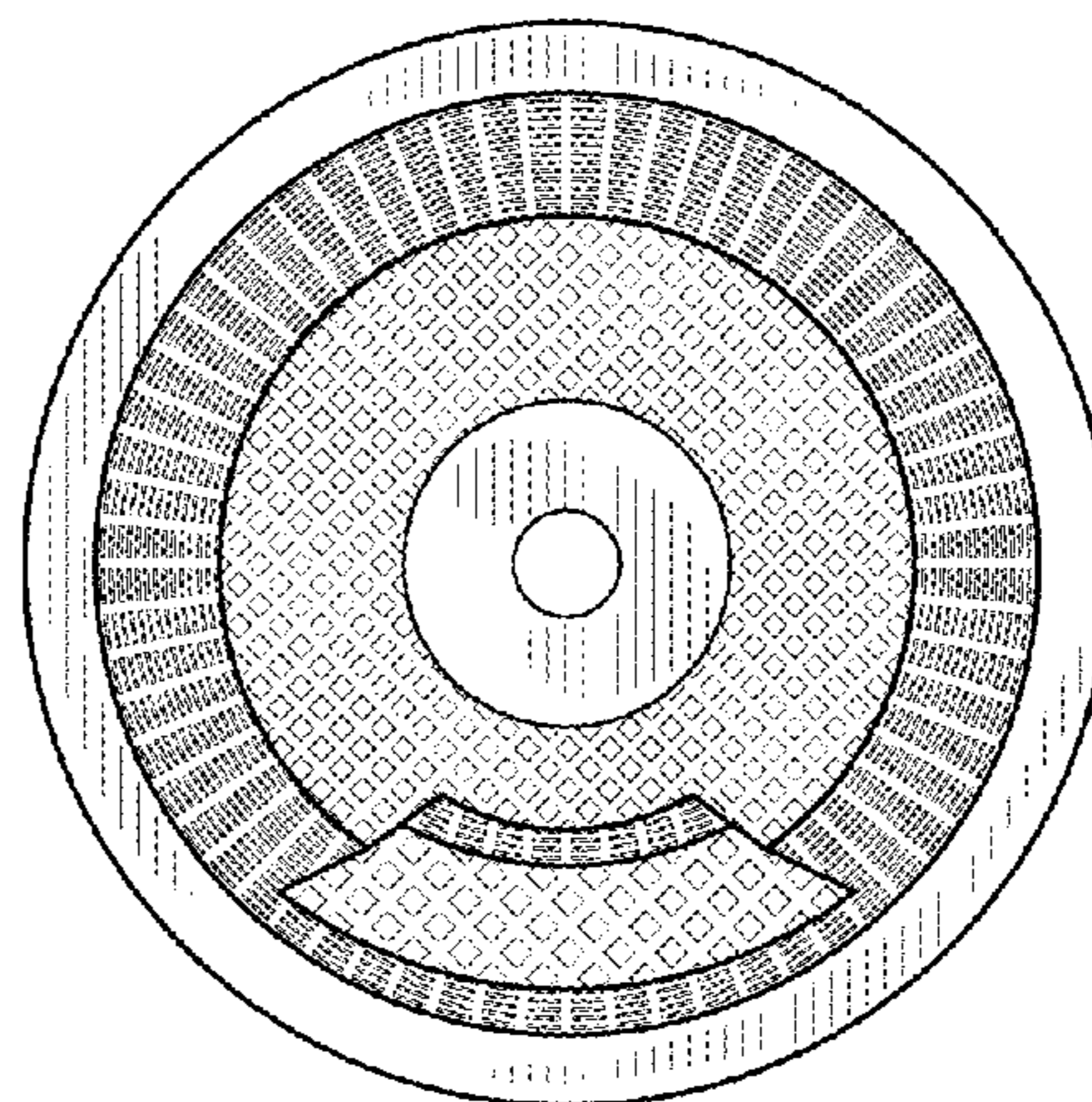


FIG. 6

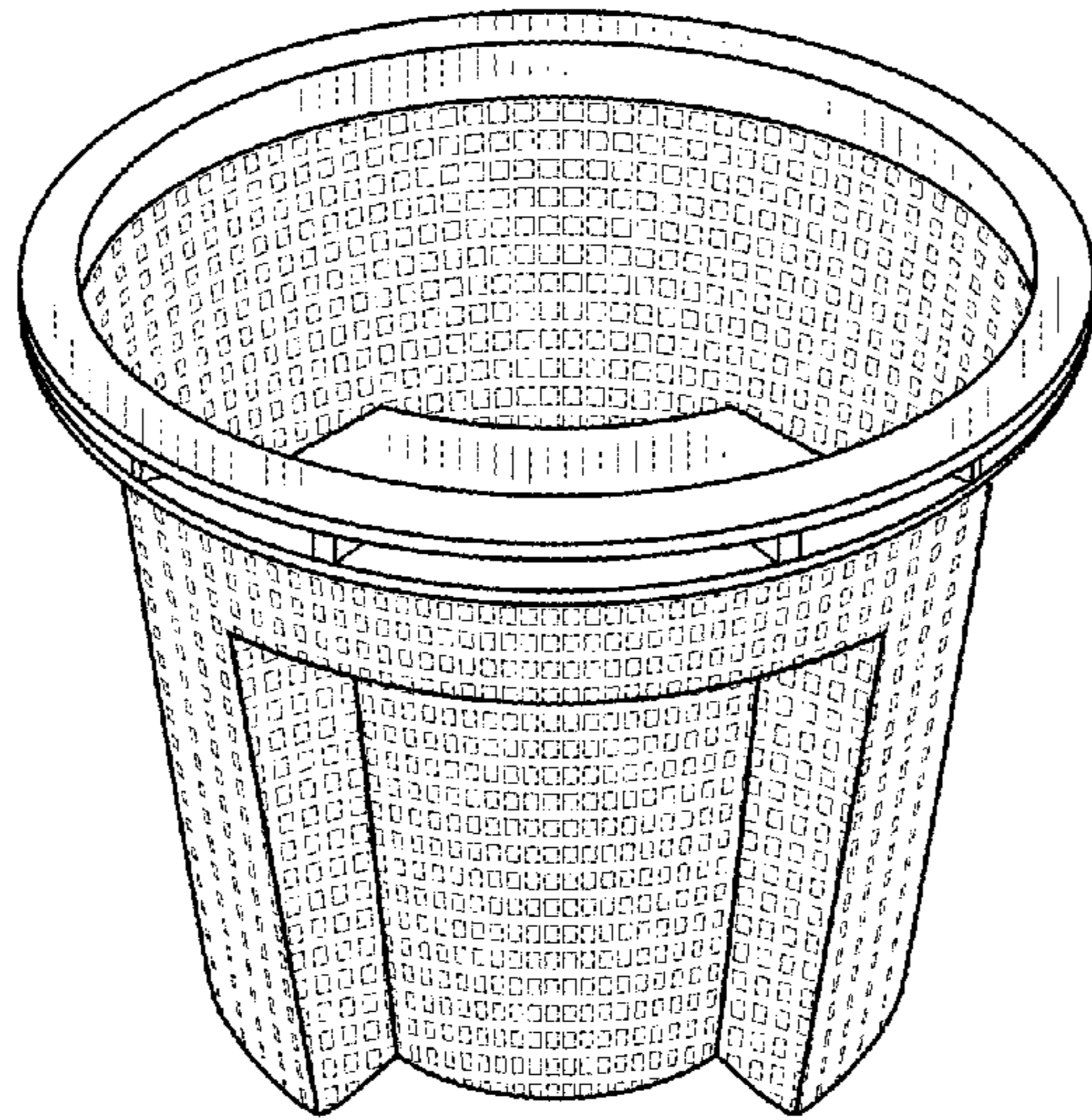


FIG. 7

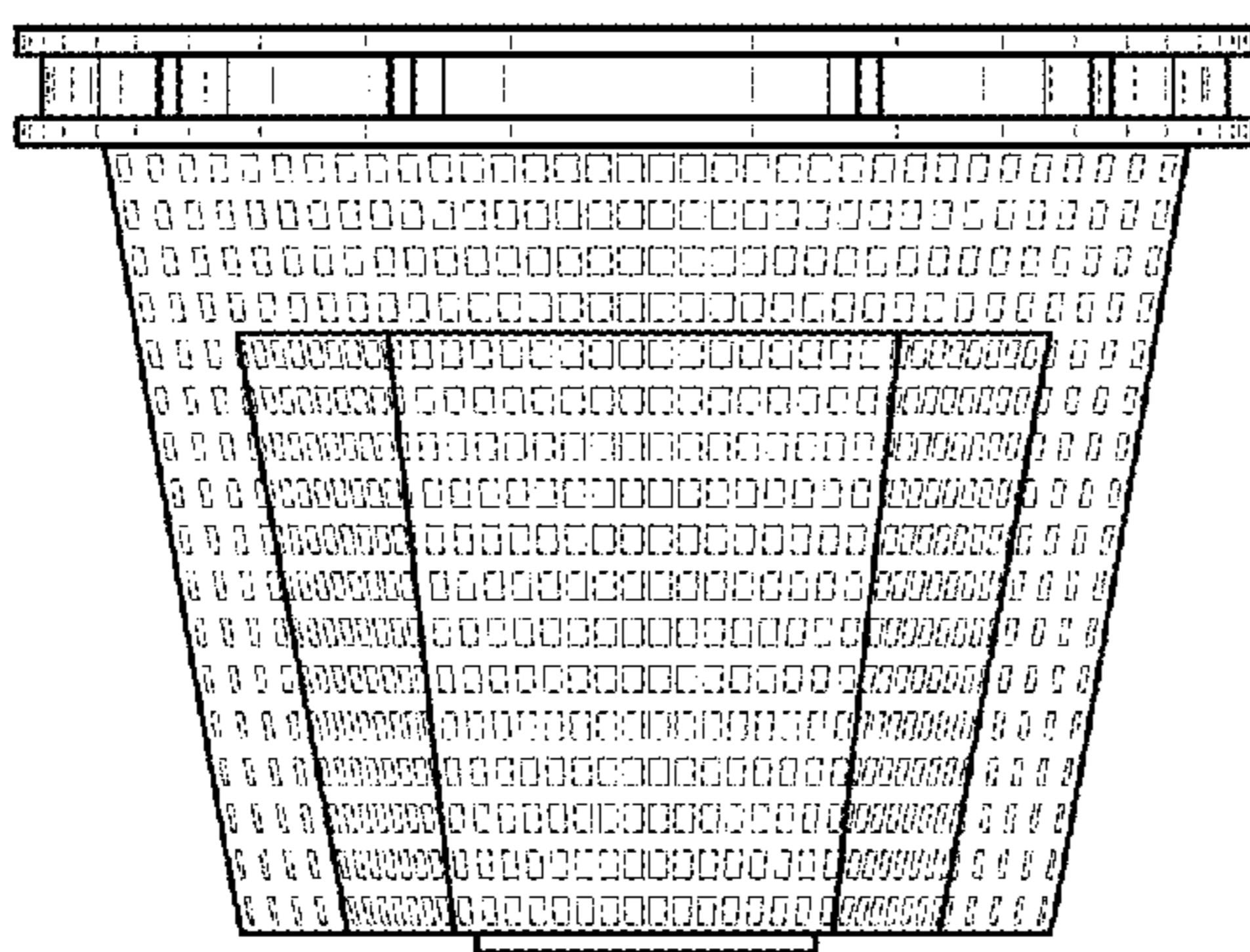


FIG. 8

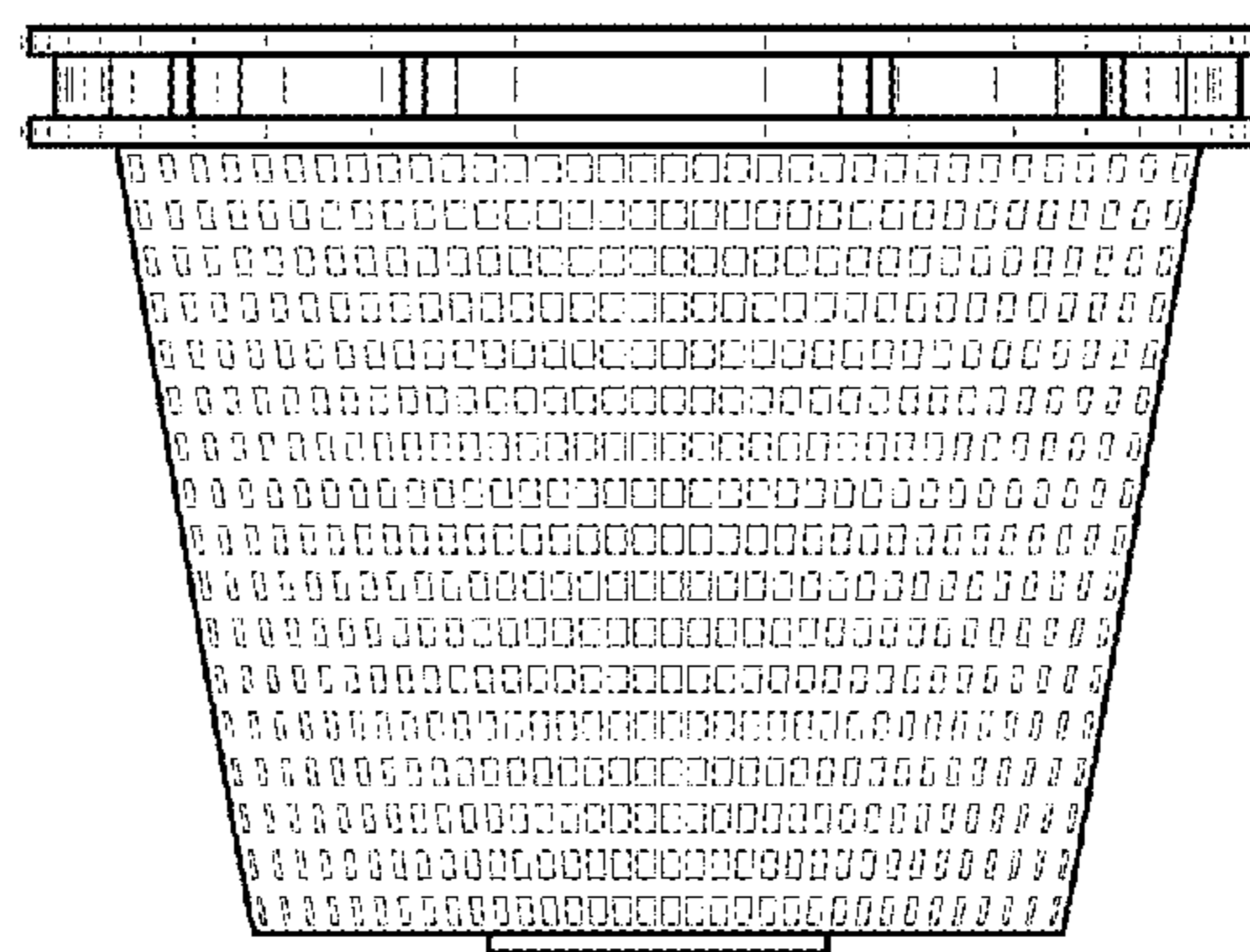


FIG. 9

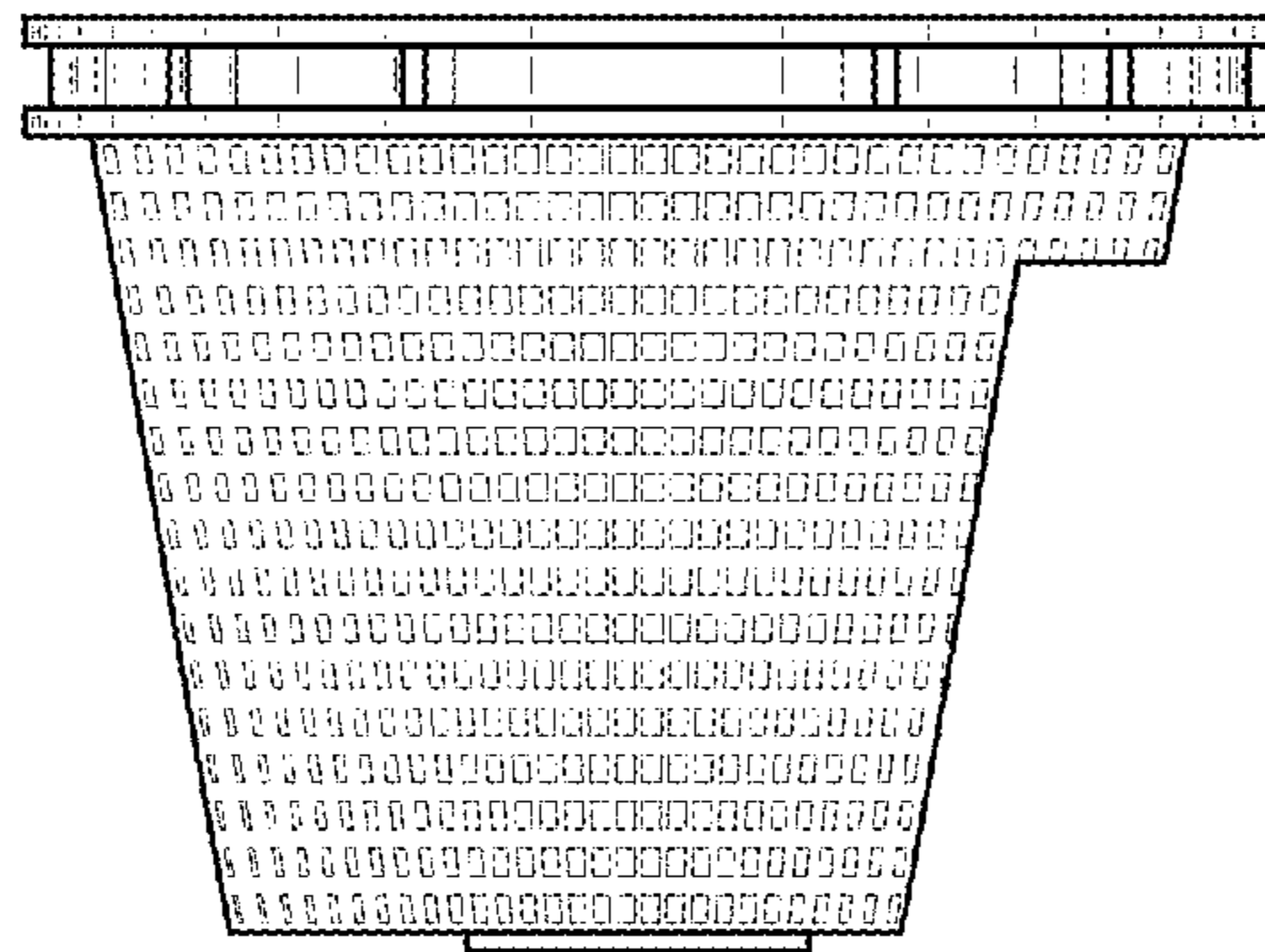


FIG. 10

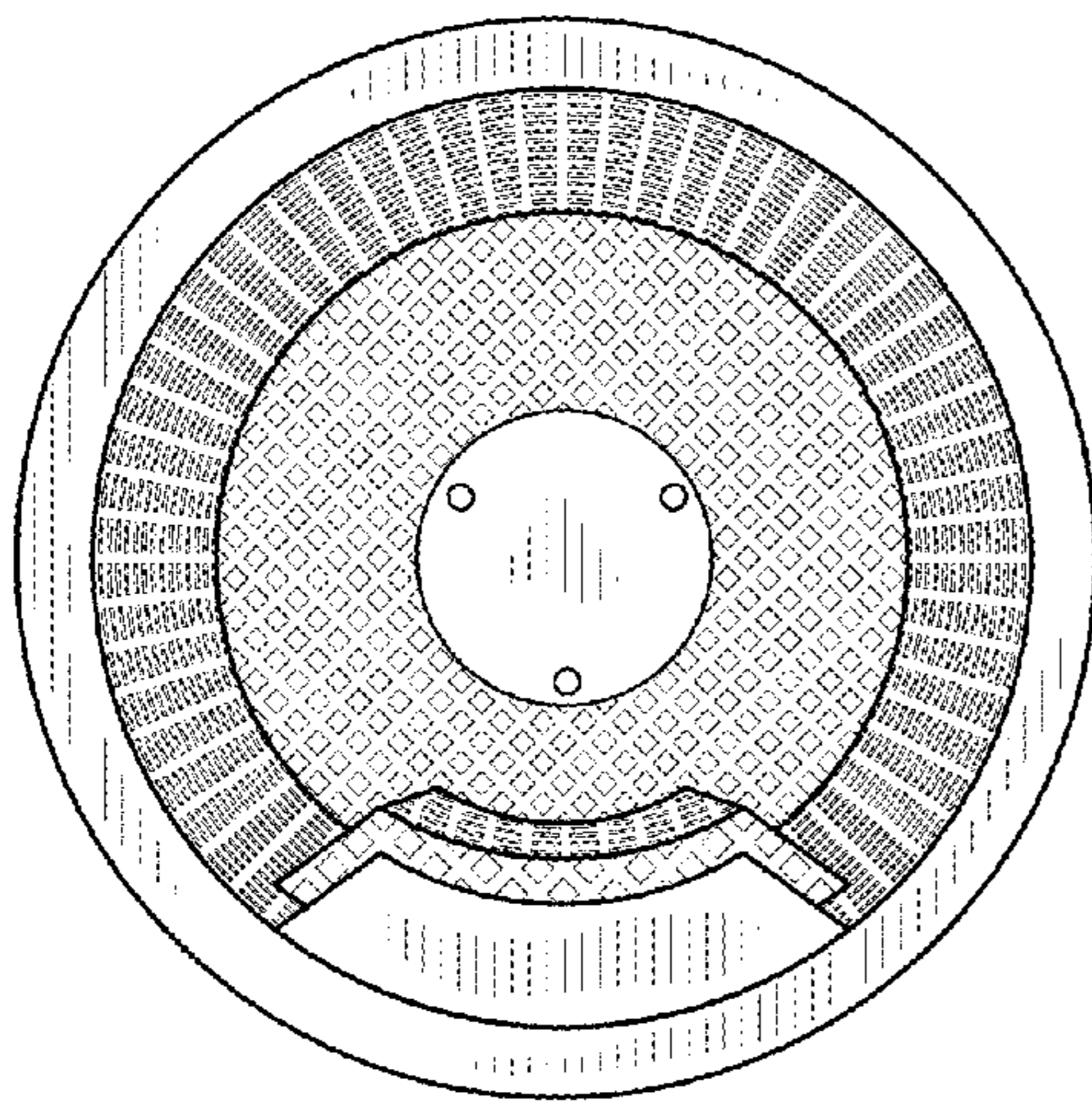


FIG. 11

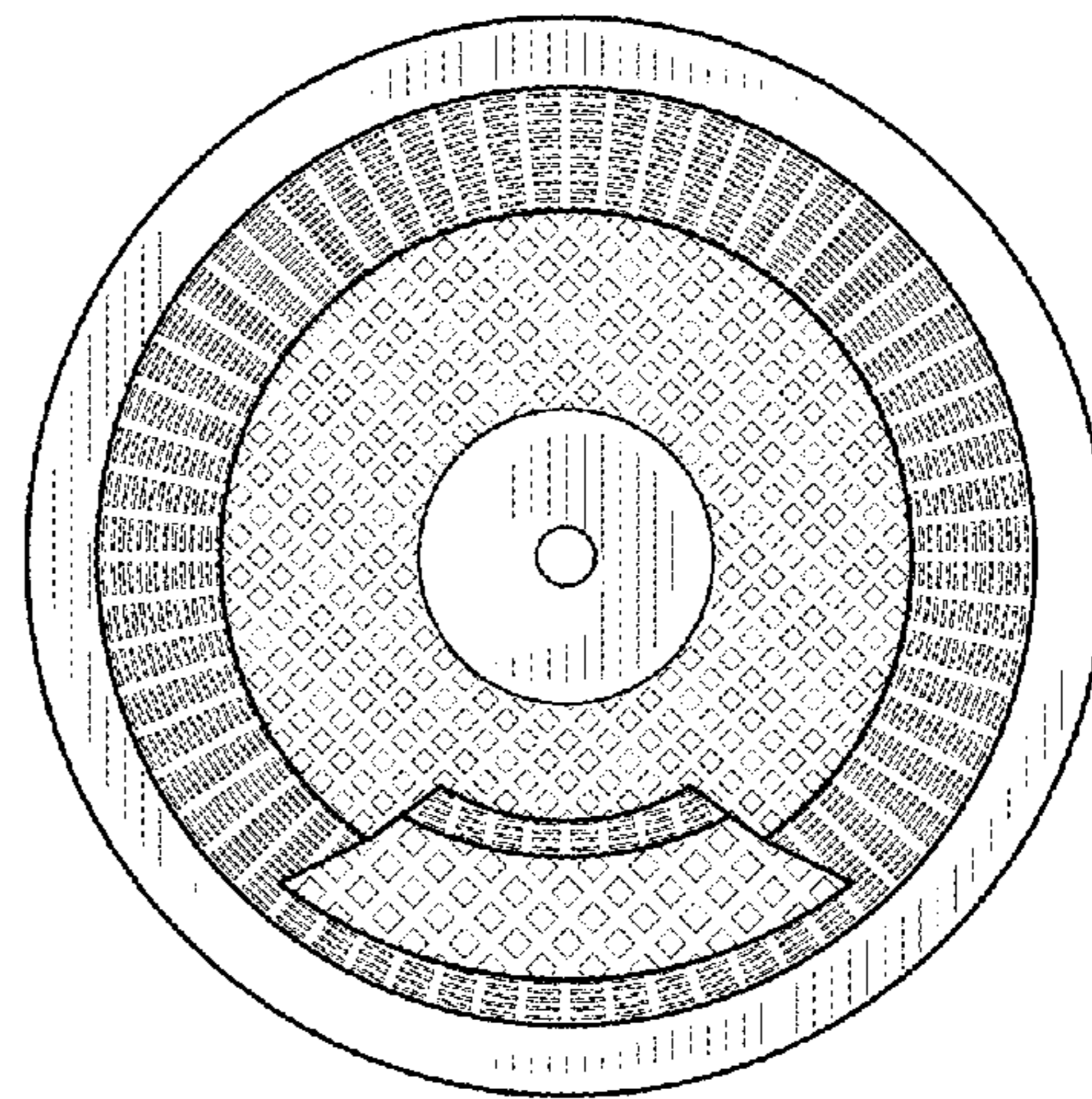


FIG. 12

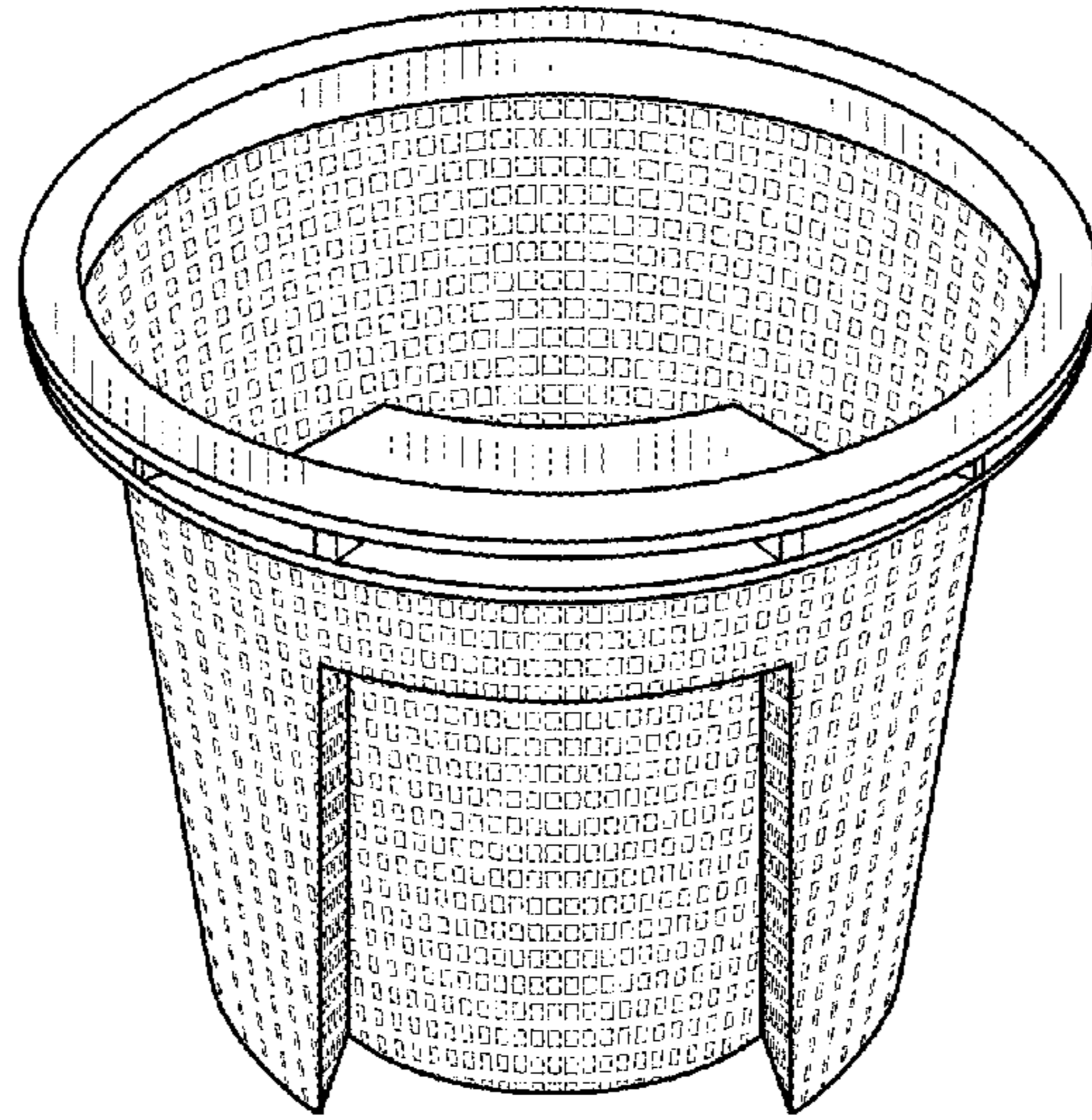


FIG. 13

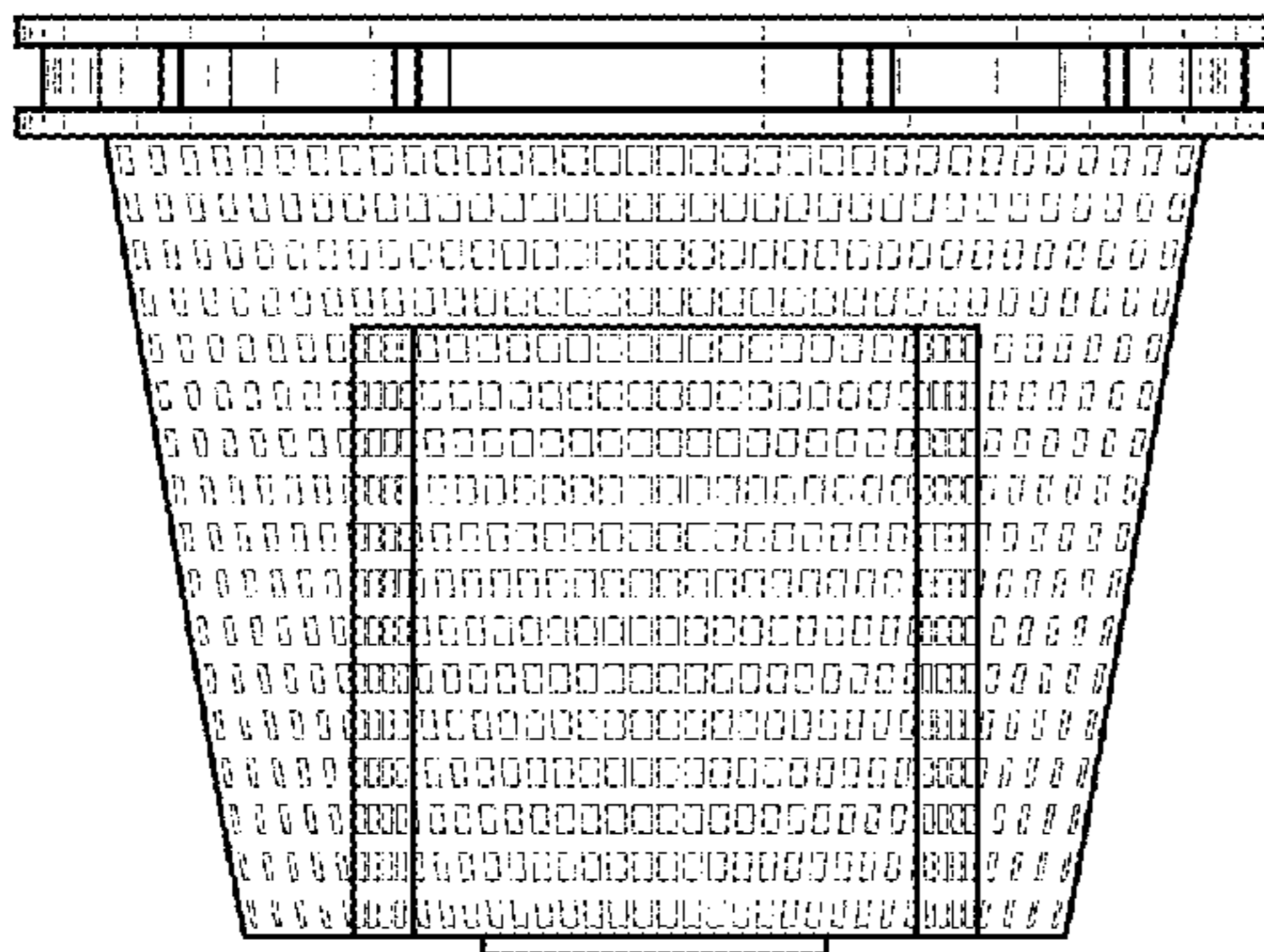


FIG. 14

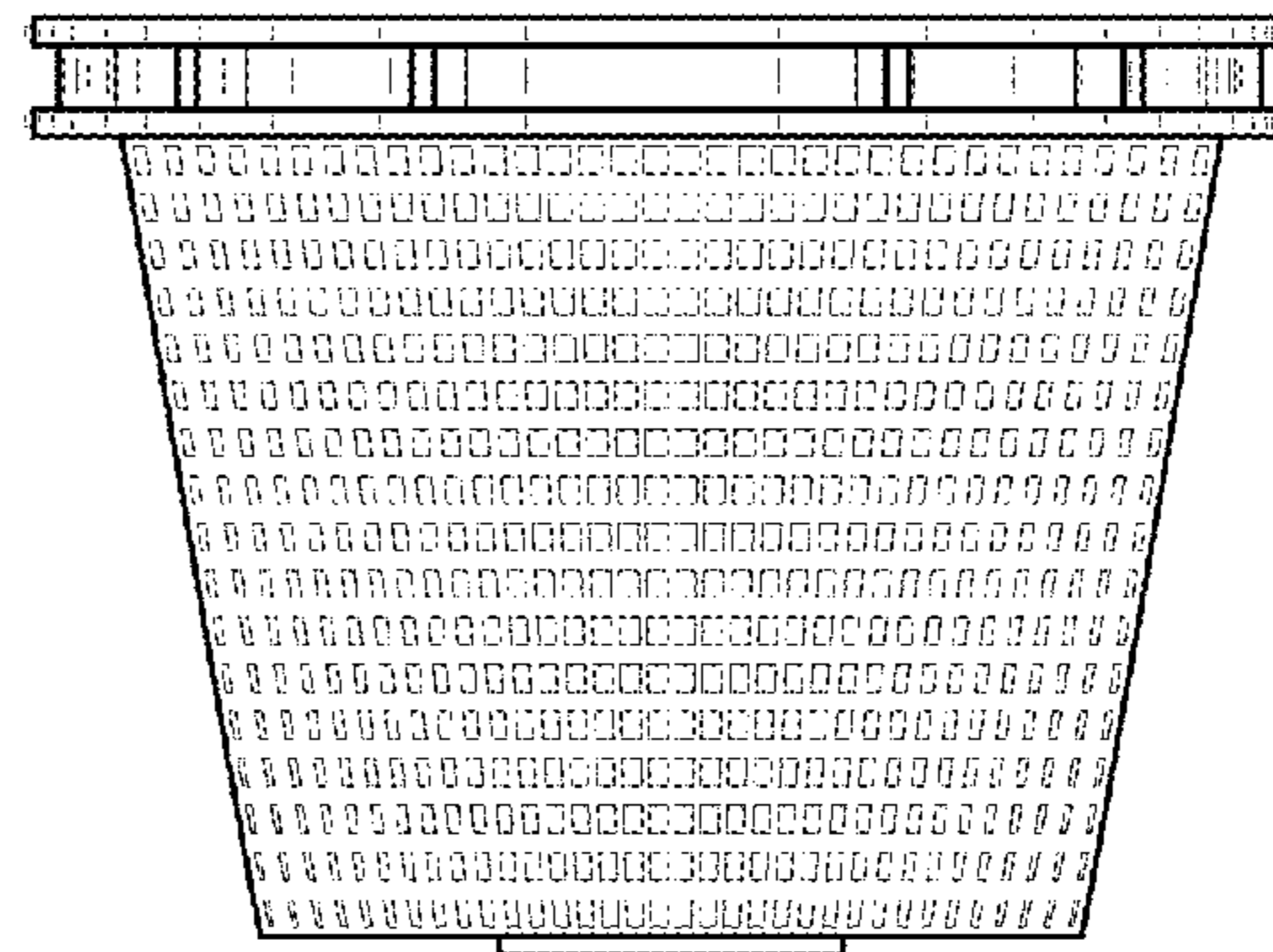


FIG. 15

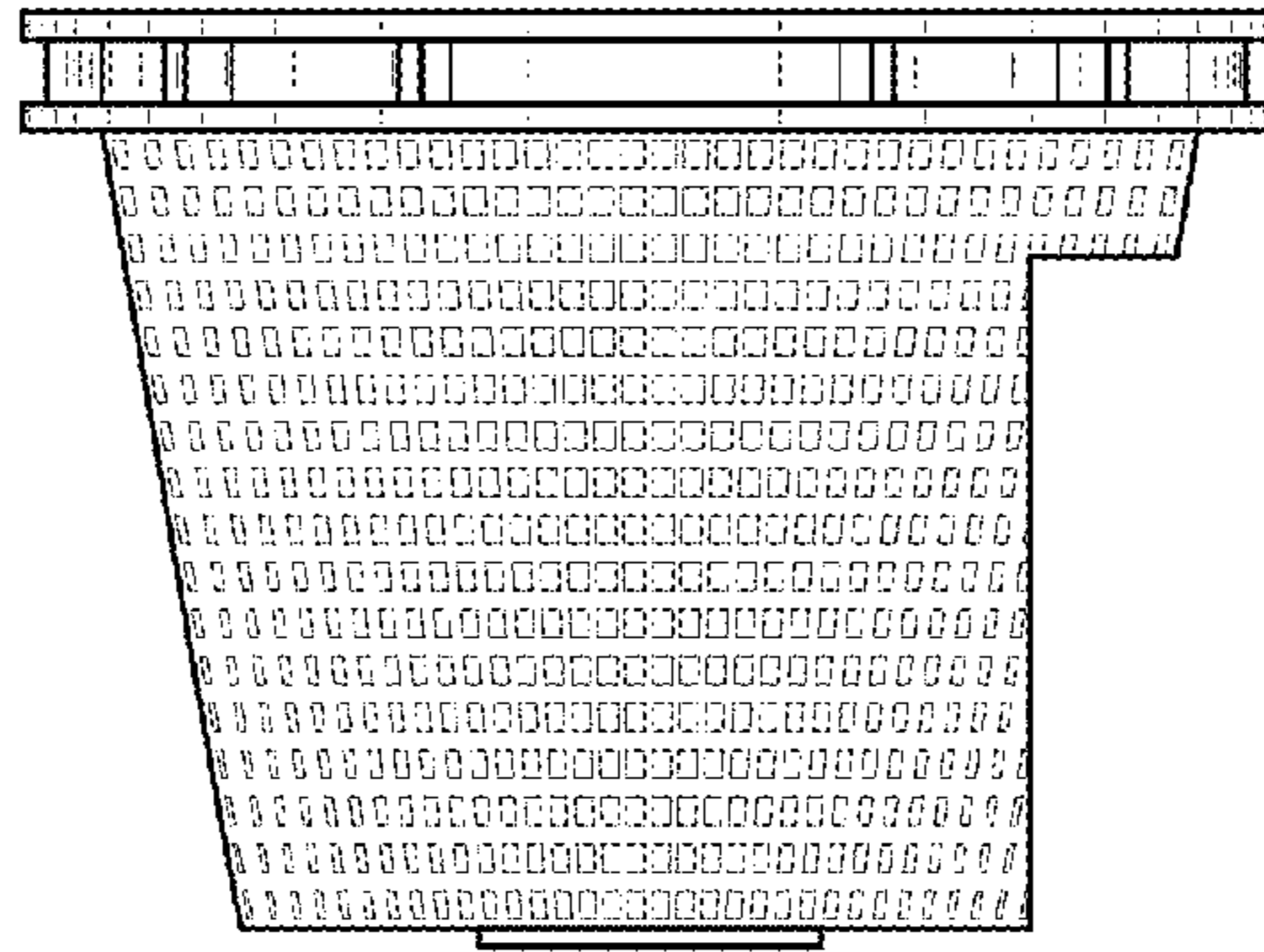


FIG. 16

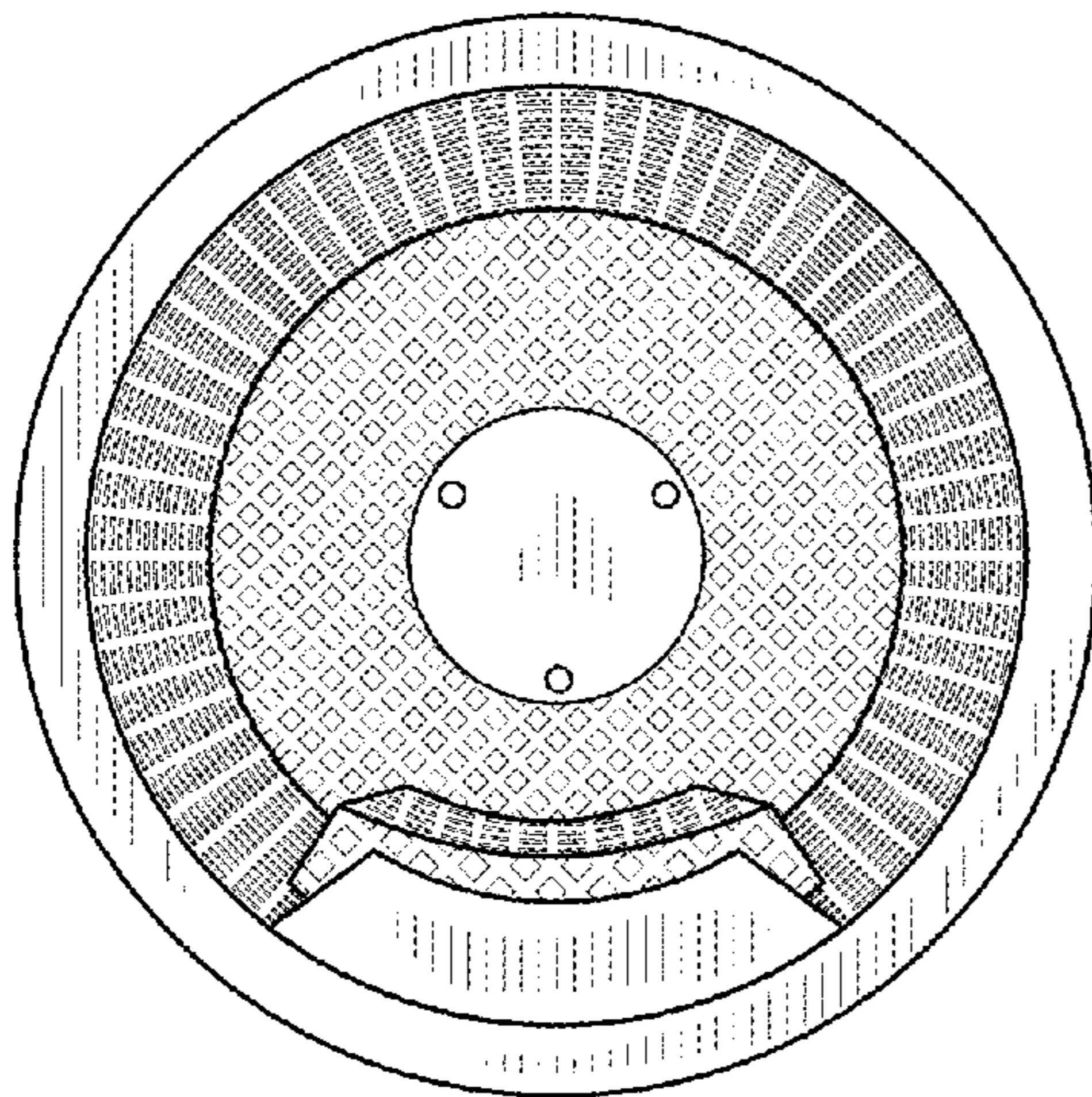


FIG. 17

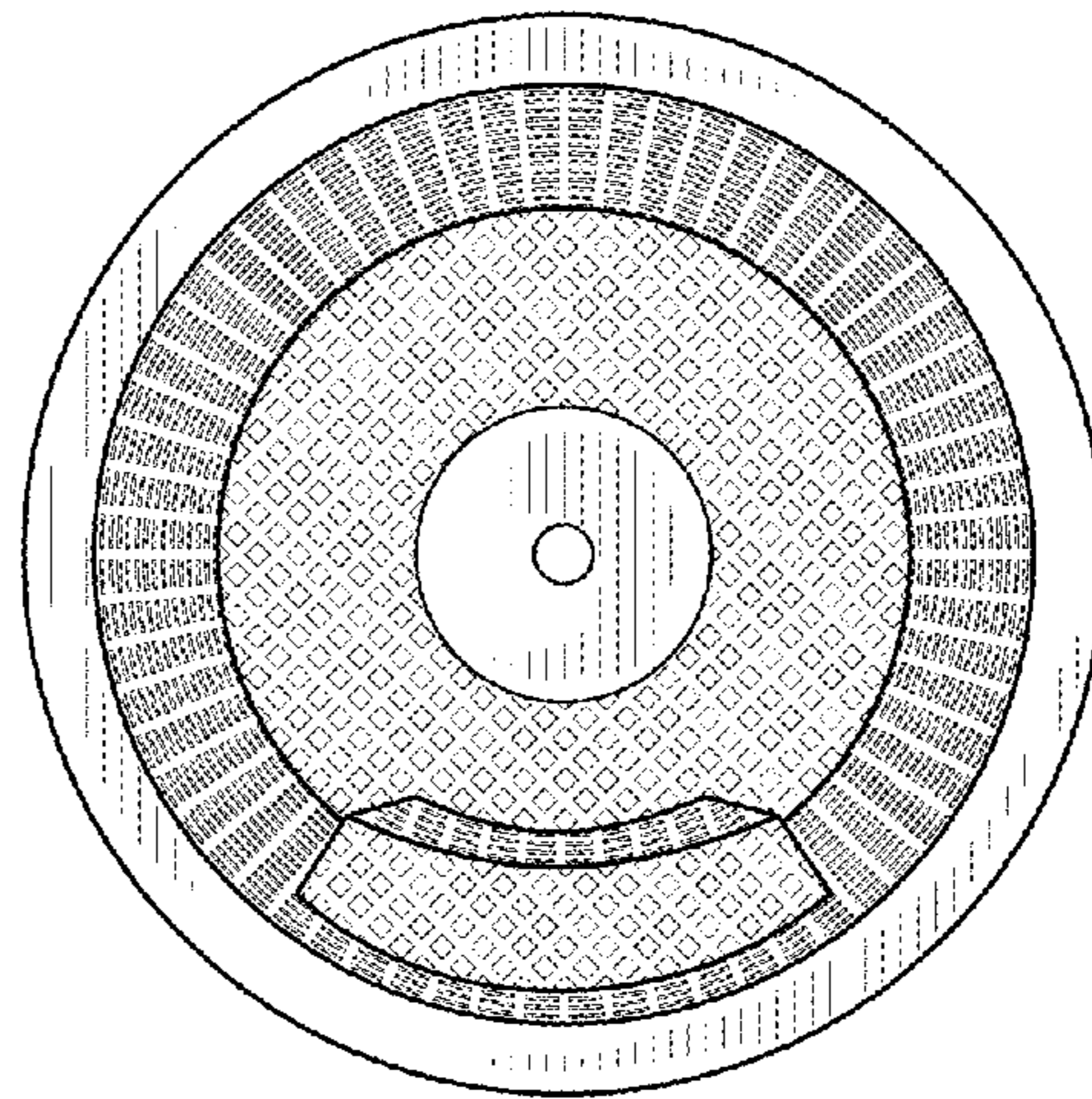


FIG. 18

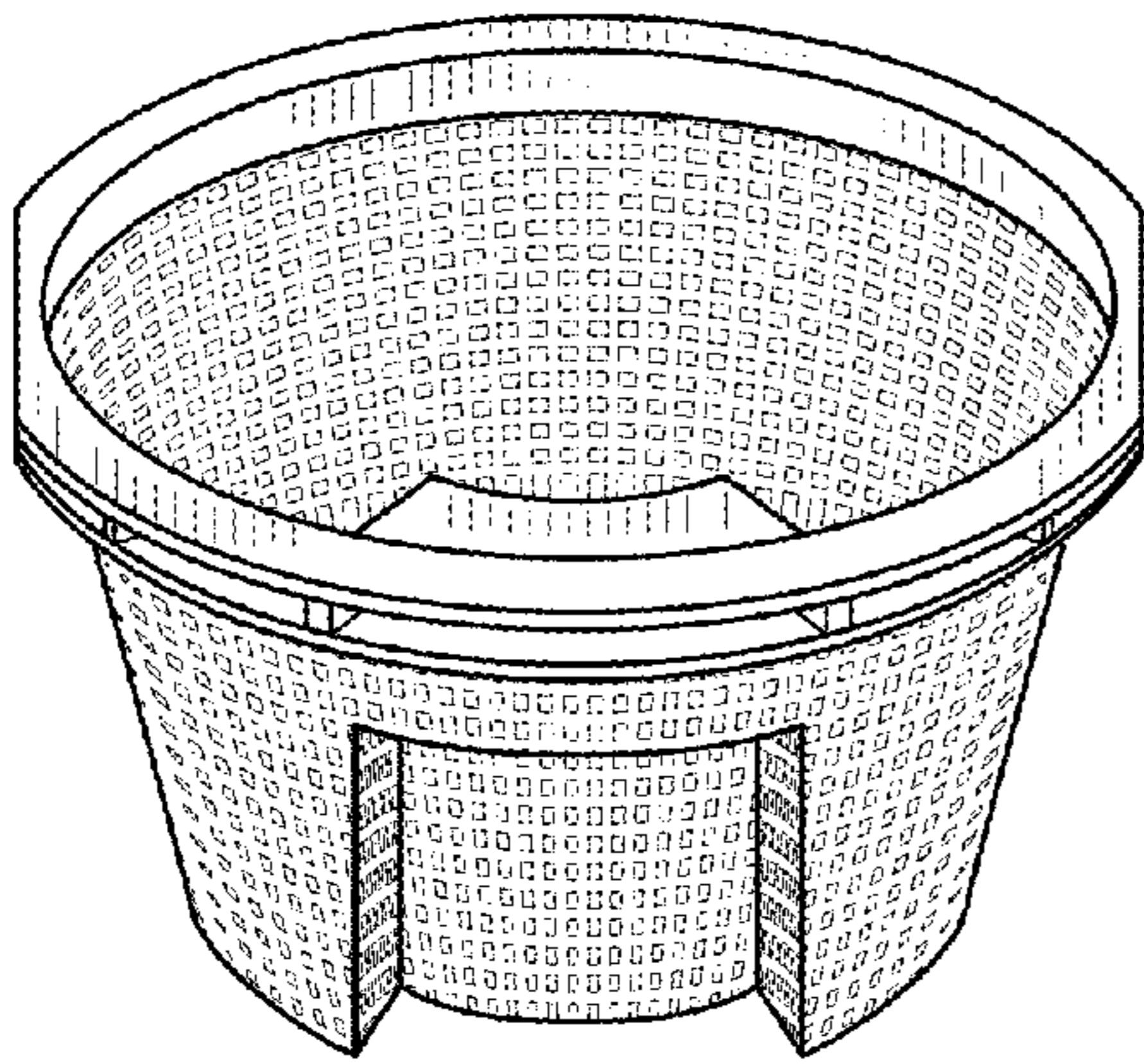


FIG. 19

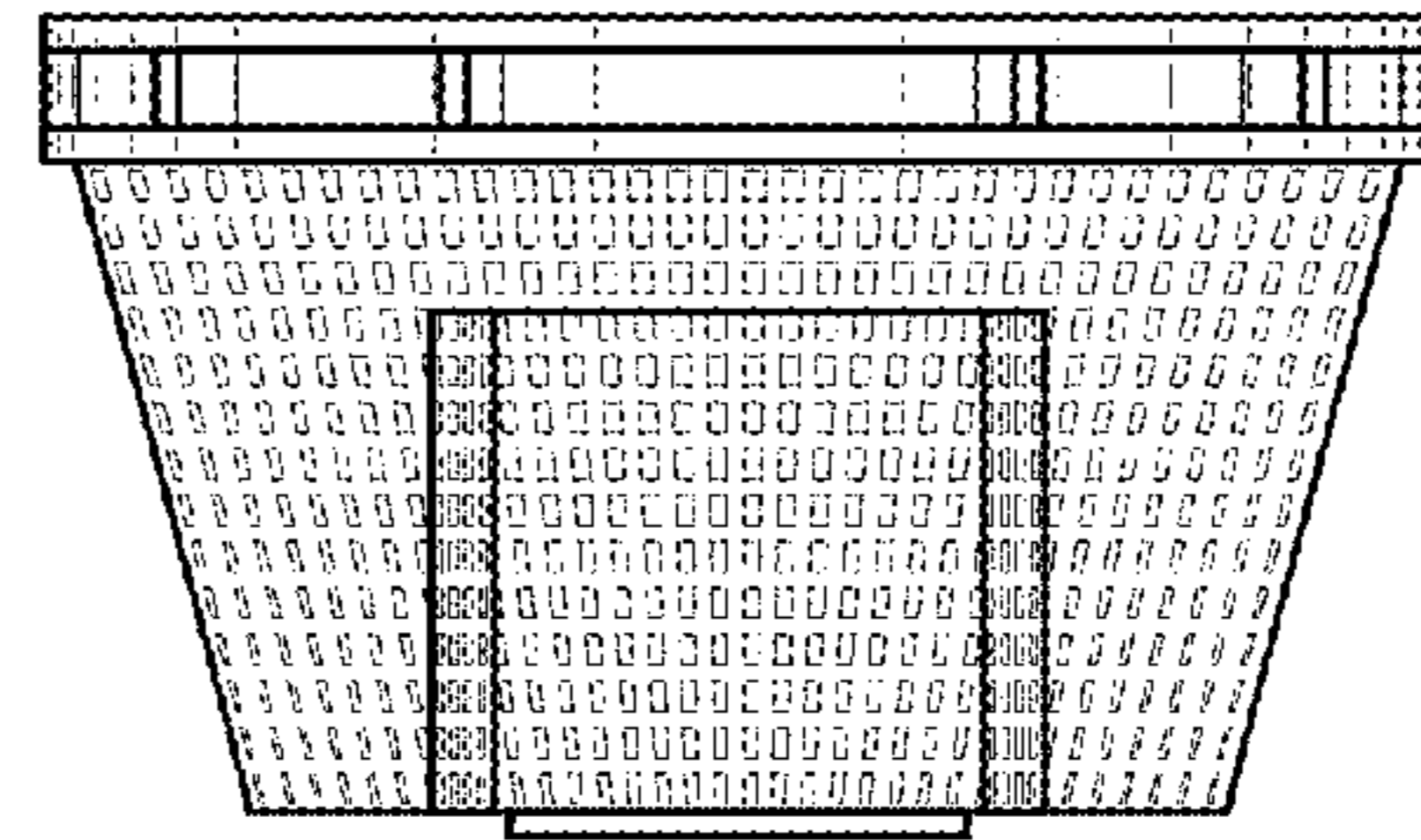


FIG. 20

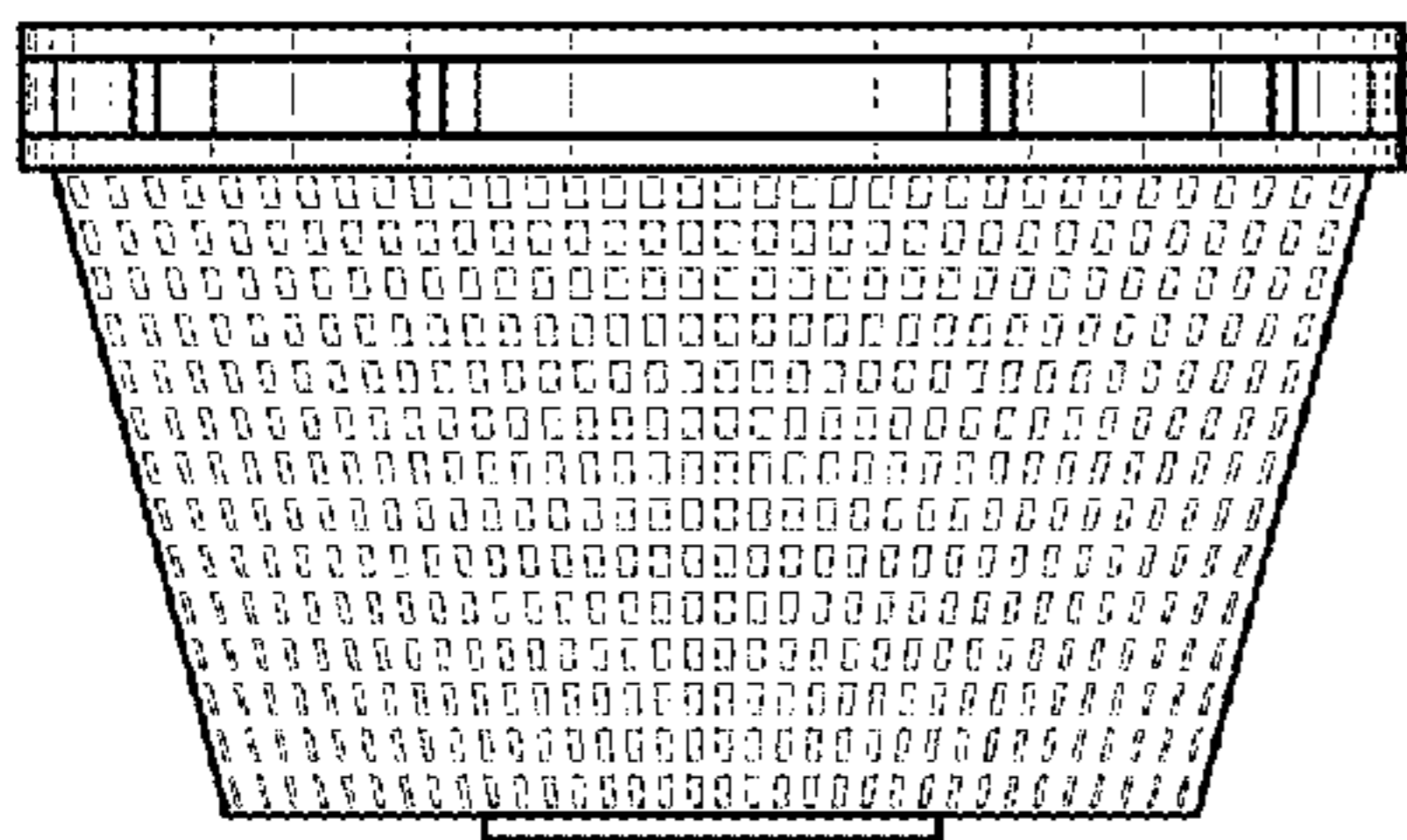


FIG. 21

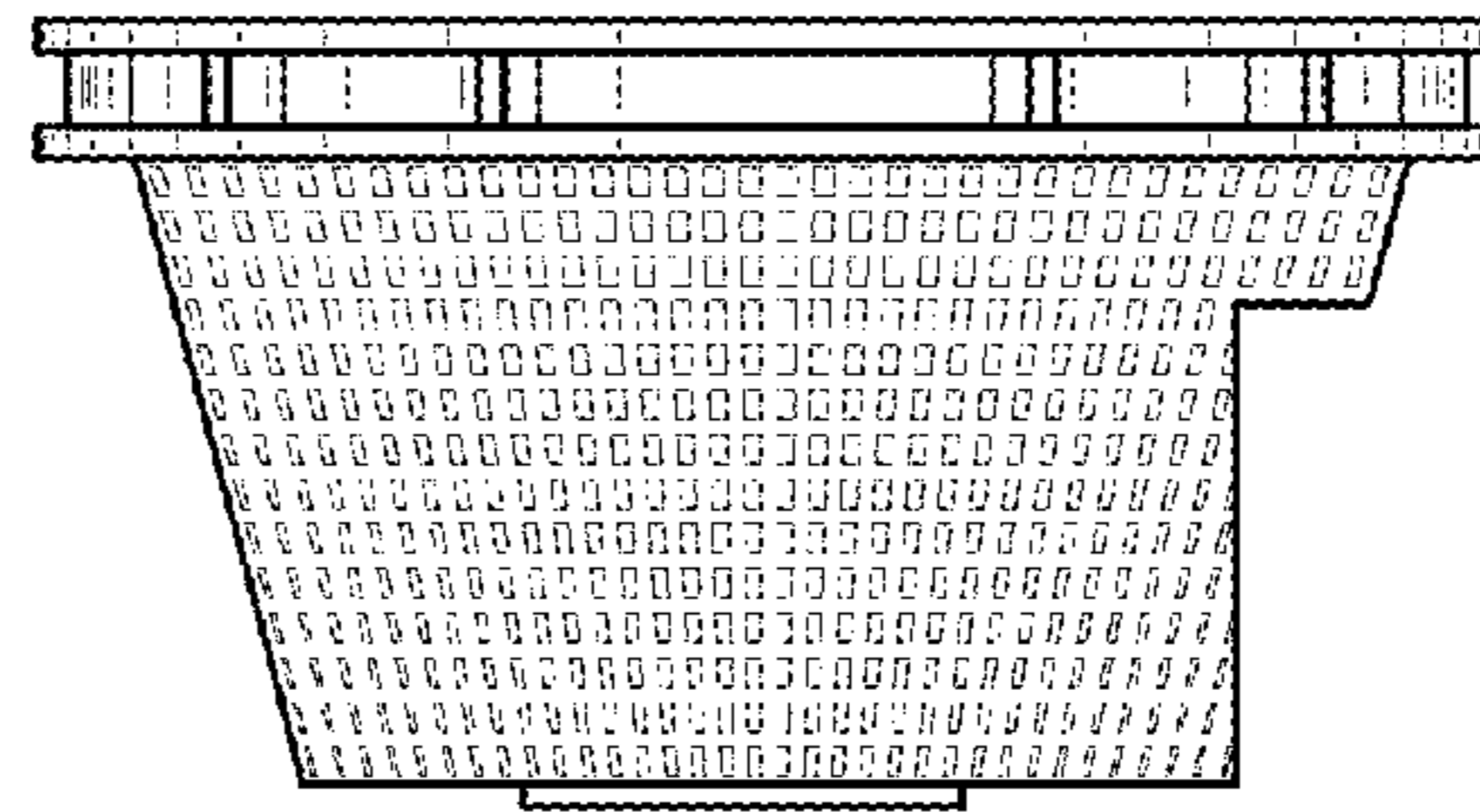


FIG. 22

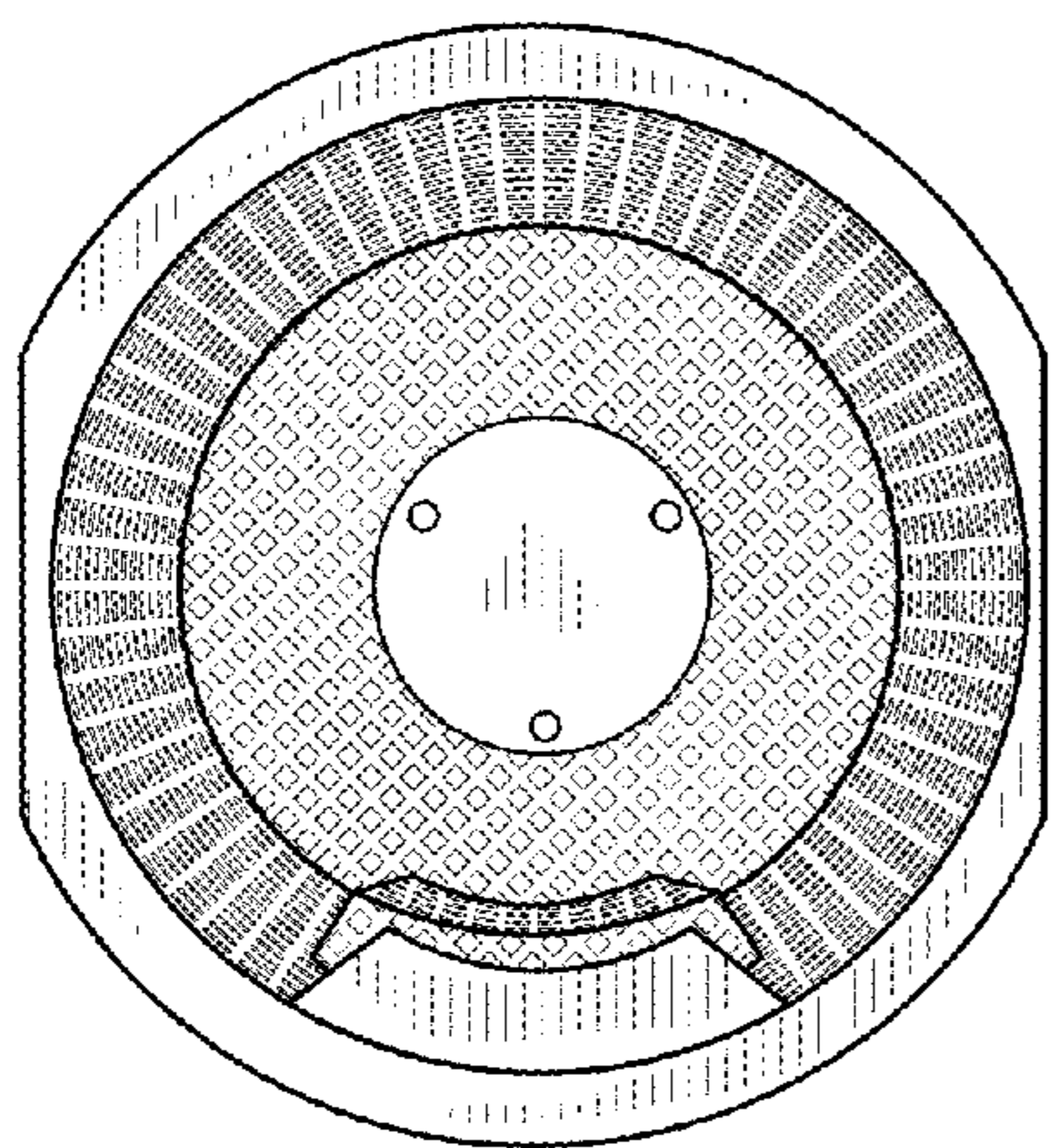


FIG. 23

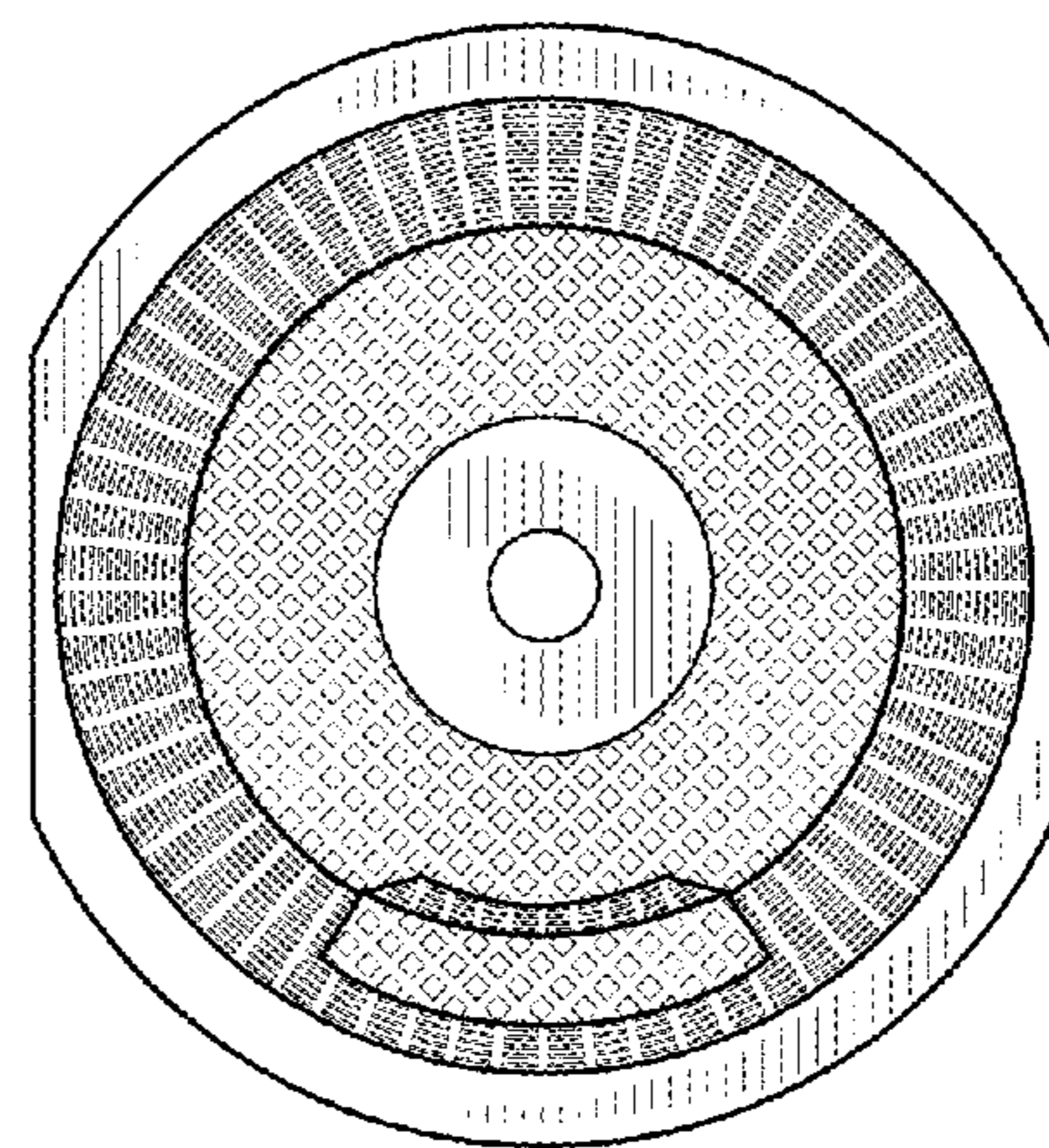


FIG. 24