

US00D694847S

(12) **United States Design Patent**
Anderson et al.

(10) **Patent No.:** **US D694,847 S**

(45) **Date of Patent:** **** Dec. 3, 2013**

(54) **LASER DEVICE**

(75) Inventors: **Danny Anderson**, Wilsonville, OR (US);
Frederick Karl, West Linn, OR (US);
Lewis A. Danielson, Newberg, OR (US)

(73) Assignee: **Crimson Trace, Inc.**, Wilsonville, OR
(US)

(**) Term: **14 Years**

(21) Appl. No.: **29/406,082**

(22) Filed: **Nov. 9, 2011**

(51) **LOC (9) Cl.** **22-01**

(52) **U.S. Cl.**
USPC **D22/109**; D22/108

(58) **Field of Classification Search**
USPC D22/108-109; 42/111-128; 89/1.61,
89/200-204; 356/247-256
See application file for complete search history.

(56) **References Cited**

U.S. PATENT DOCUMENTS

5,107,612	A *	4/1992	Bechtel	42/115
5,435,091	A	7/1995	Toole et al.	
5,706,600	A	1/1998	Toole et al.	
5,784,823	A *	7/1998	Chen	42/115
6,393,752	B1 *	5/2002	Oliver et al.	42/114
7,260,910	B2	8/2007	Danielson	
7,395,627	B2 *	7/2008	La France et al.	42/114
7,472,830	B2	1/2009	Danielson	
D603,478	S	11/2009	Hughes	
D616,957	S	6/2010	Rievley et al.	

7,743,547	B2	6/2010	Houde-Walter	
7,805,876	B1	10/2010	Danielson et al.	
D636,049	S	4/2011	Hughes et al.	
D636,837	S	4/2011	Hughes et al.	
8,028,461	B2	10/2011	NuDyke	
8,256,154	B2 *	9/2012	Danielson et al.	42/146
D669,553	S *	10/2012	Hughes et al.	D22/109
D669,958	S *	10/2012	Essig et al.	D22/108
D669,959	S *	10/2012	Johnston et al.	D22/108
2011/0047850	A1	3/2011	Rievley et al.	

* cited by examiner

Primary Examiner — Michael A Pratt

(74) *Attorney, Agent, or Firm* — Schwabe, Williamson & Wyatt, P.C.

(57) **CLAIM**

I claim an ornamental design for a laser device, as shown and described.

DESCRIPTION

FIG. 1 is a perspective view of one embodiment of the present invention;

FIG. 2 is a front view of the embodiment of FIG. 1;

FIG. 3 is a rear view of the embodiment of FIG. 1;

FIG. 4 is a right side view of the embodiment of FIG. 1;

FIG. 5 is a left side view of the embodiment of FIG. 1 and the opposite side of FIG. 4;

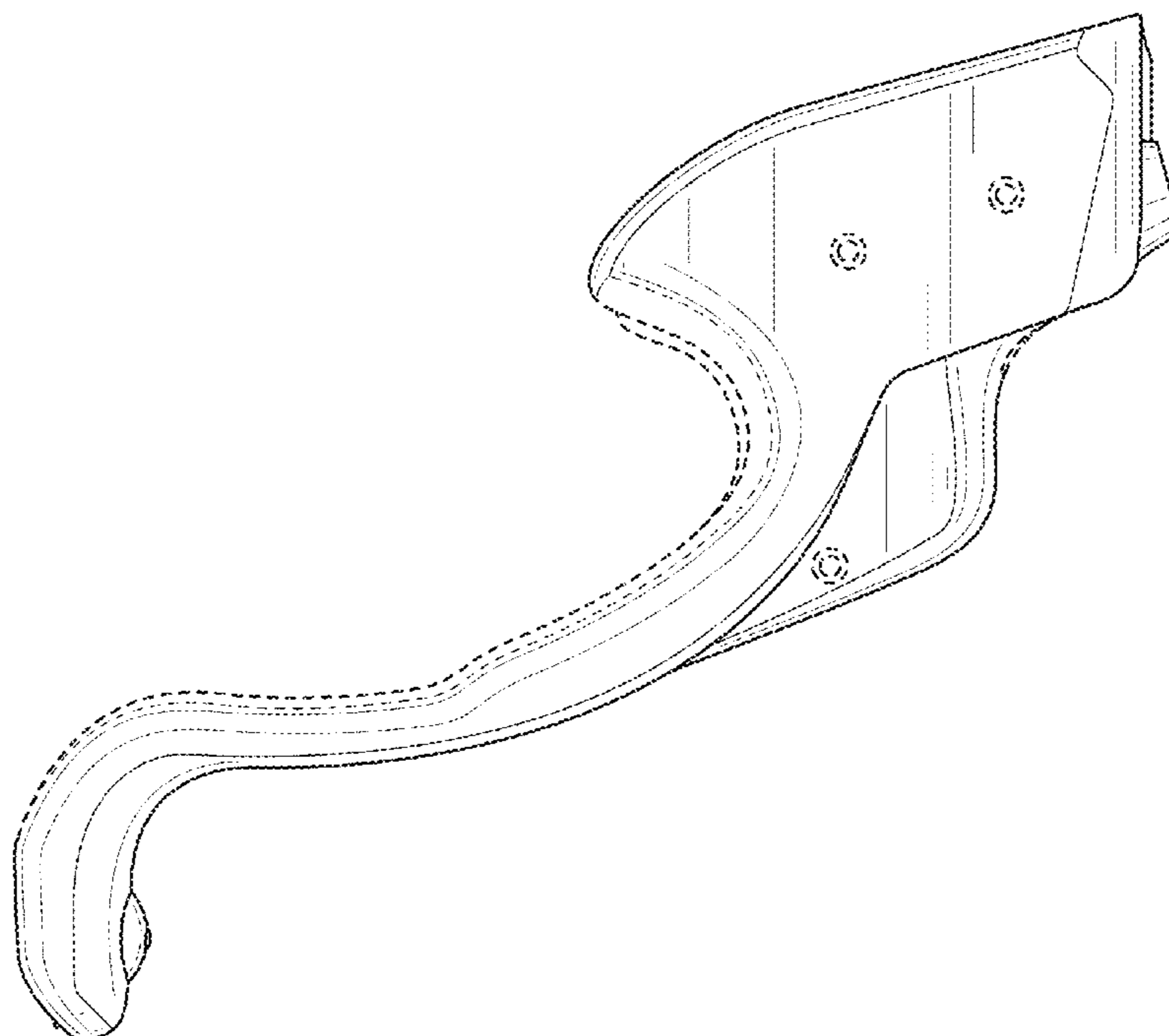
FIG. 6 is a top view of the embodiment of FIG. 1;

FIG. 7 is a bottom view of the embodiment of FIG. 1; and,

FIG. 8 is a side perspective view of the embodiment of FIG. 1.

The dashed lines are included for illustrating environmental structure and form no part of the claimed design.

1 Claim, 6 Drawing Sheets



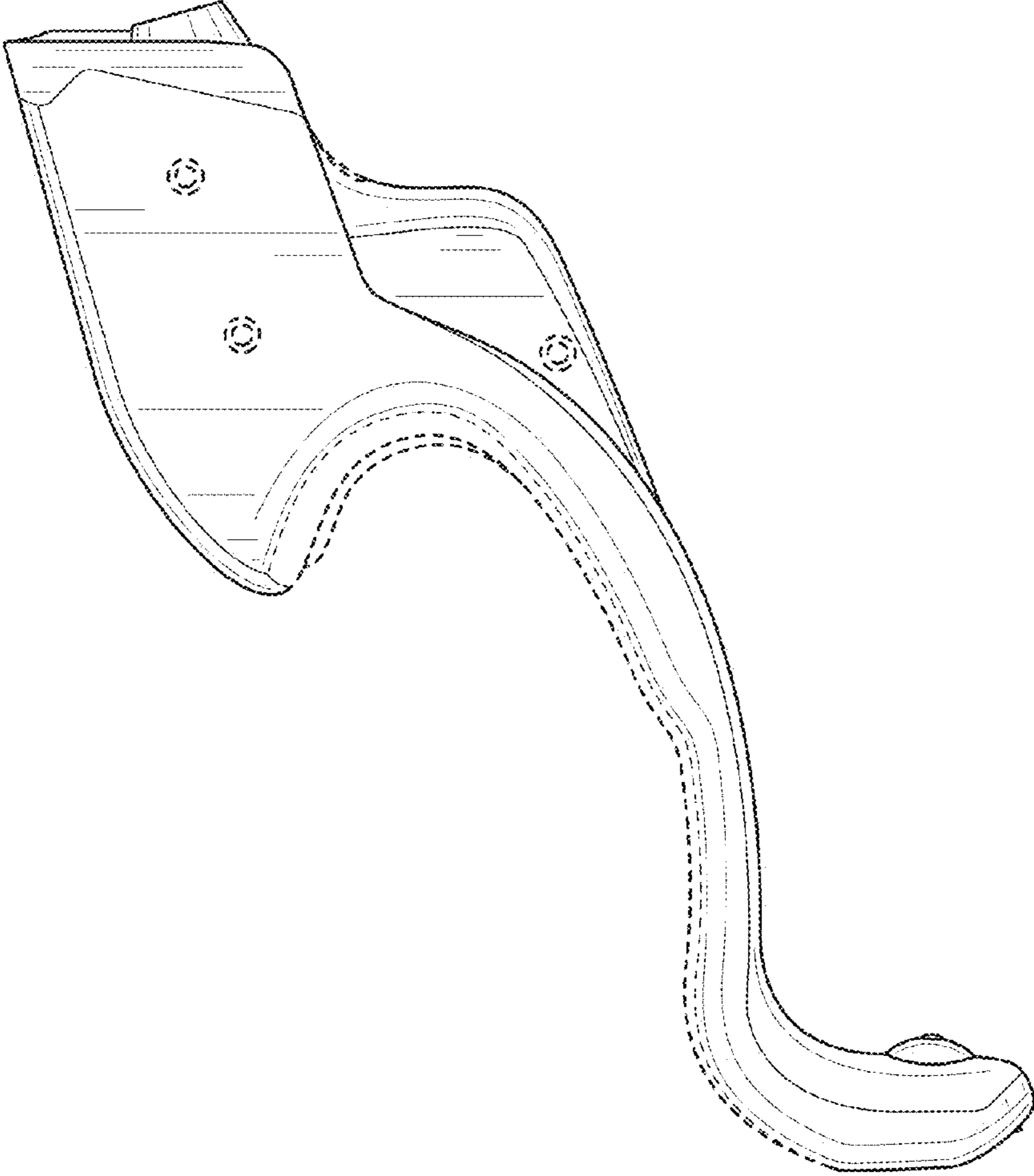


FIG. 1

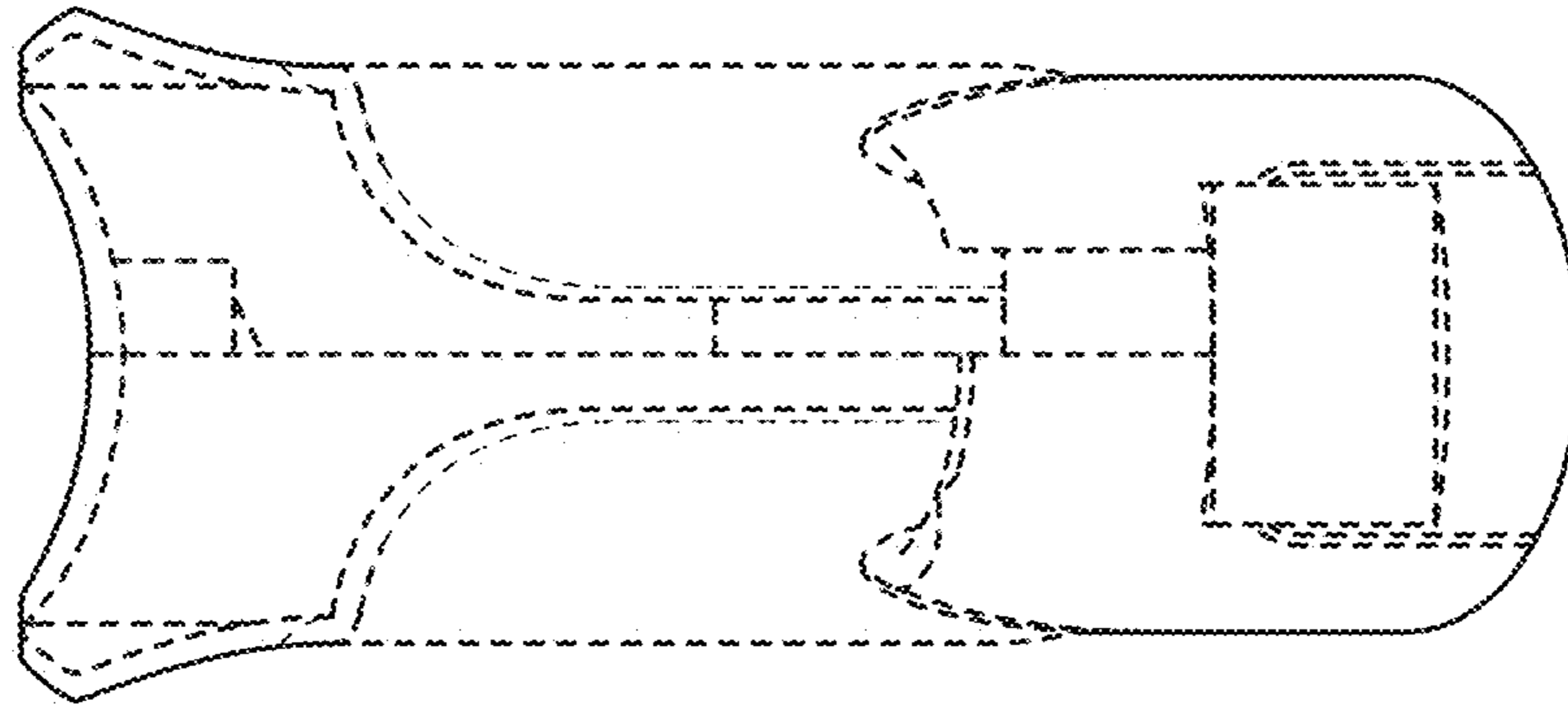


FIG. 3

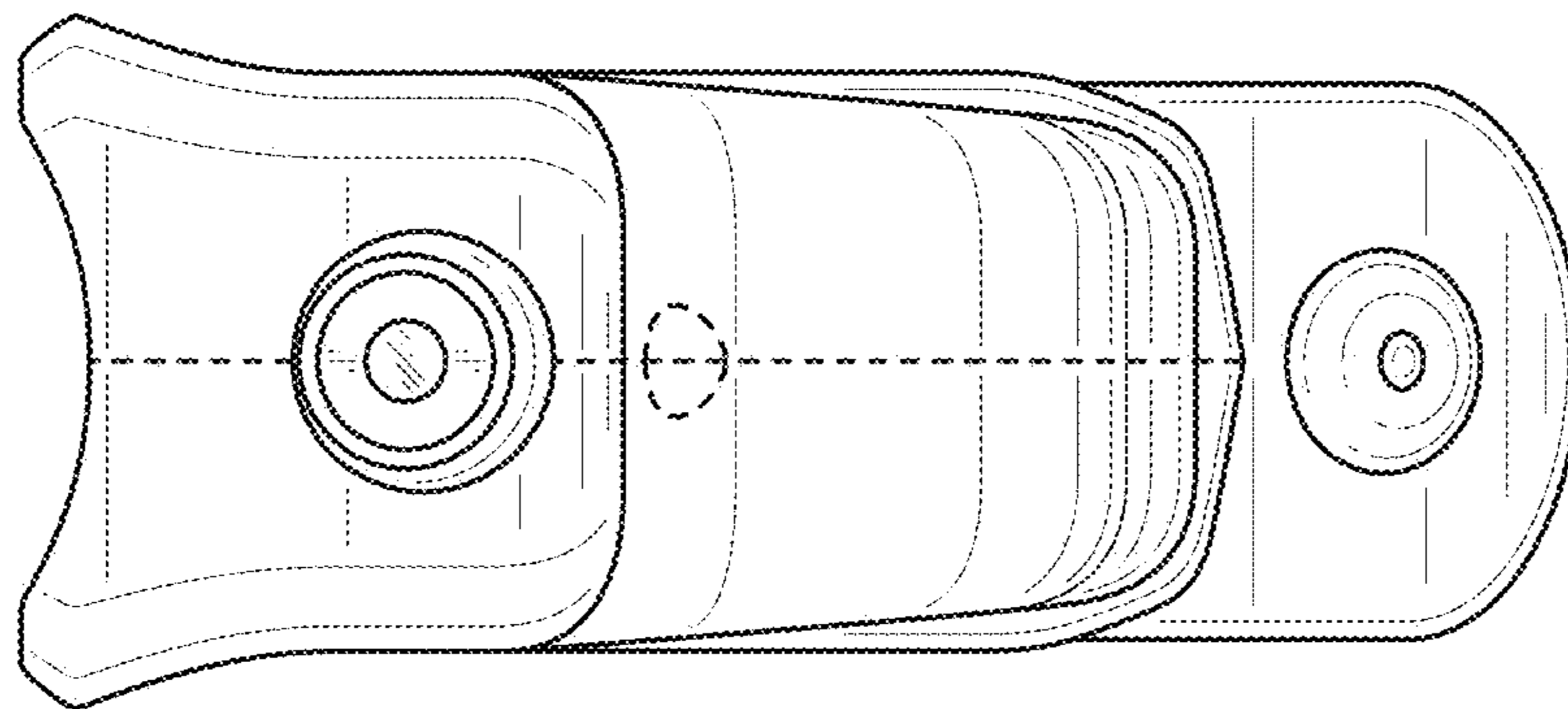


FIG. 2

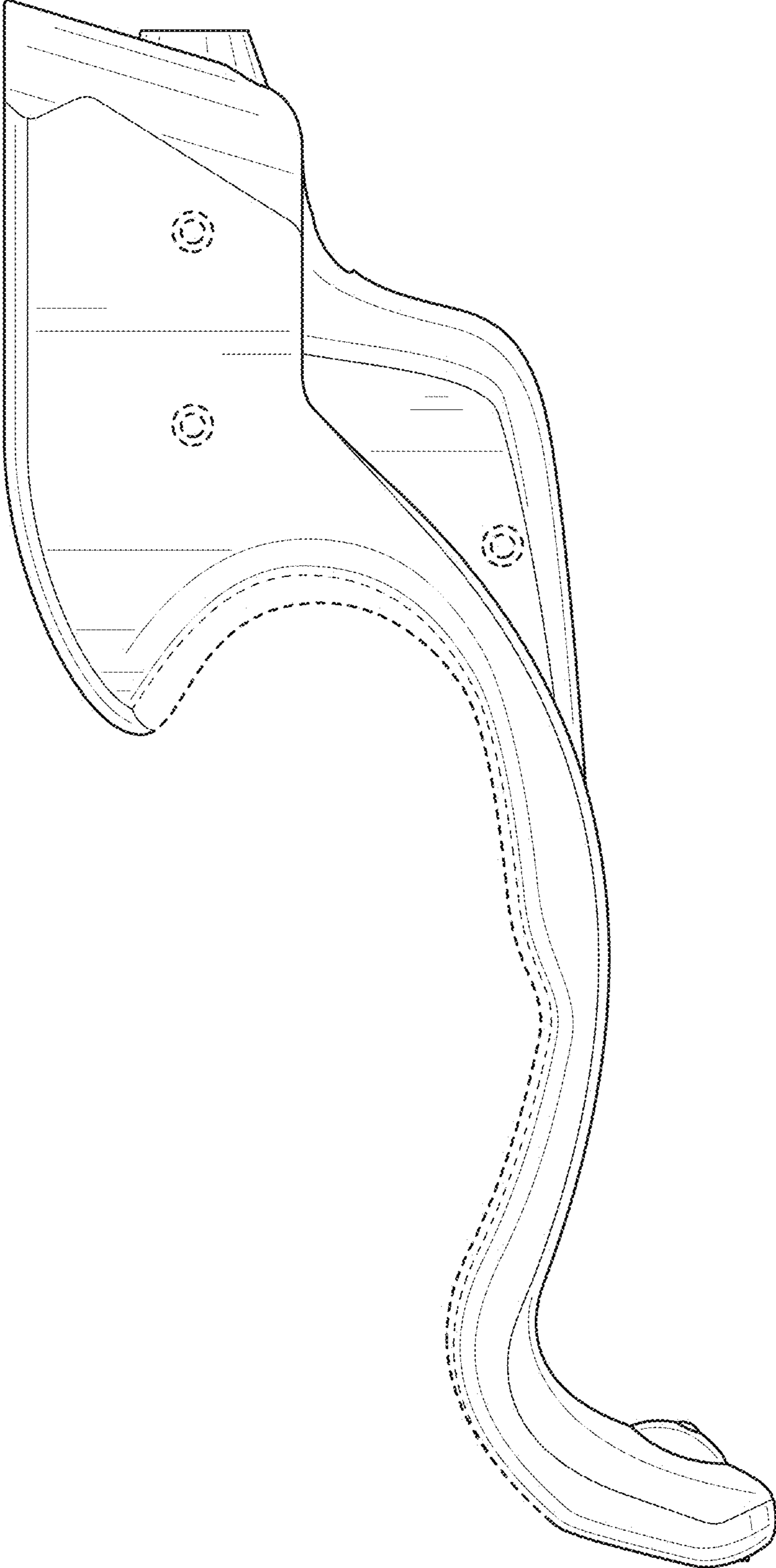


FIG. 4

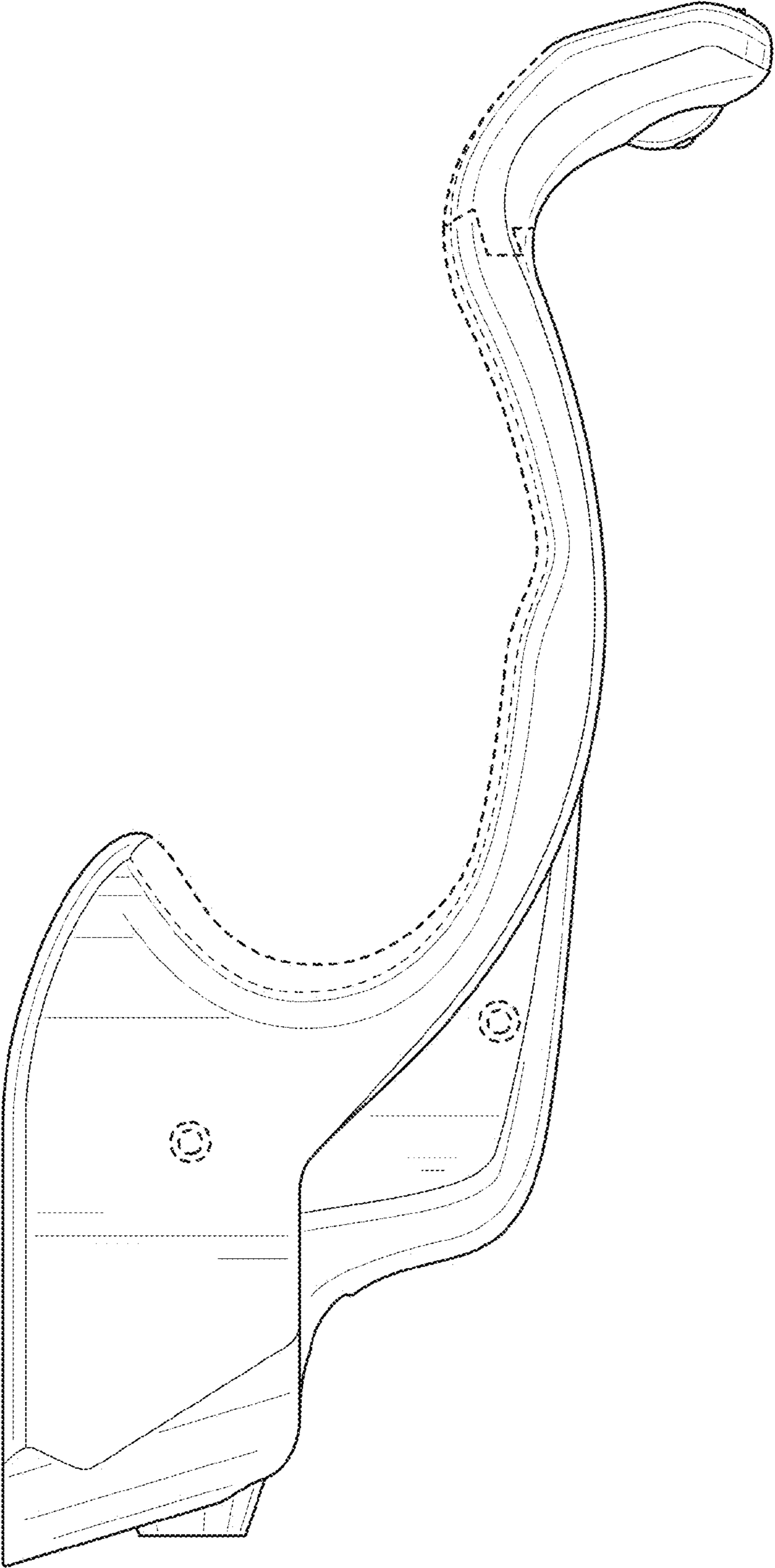


FIG. 5

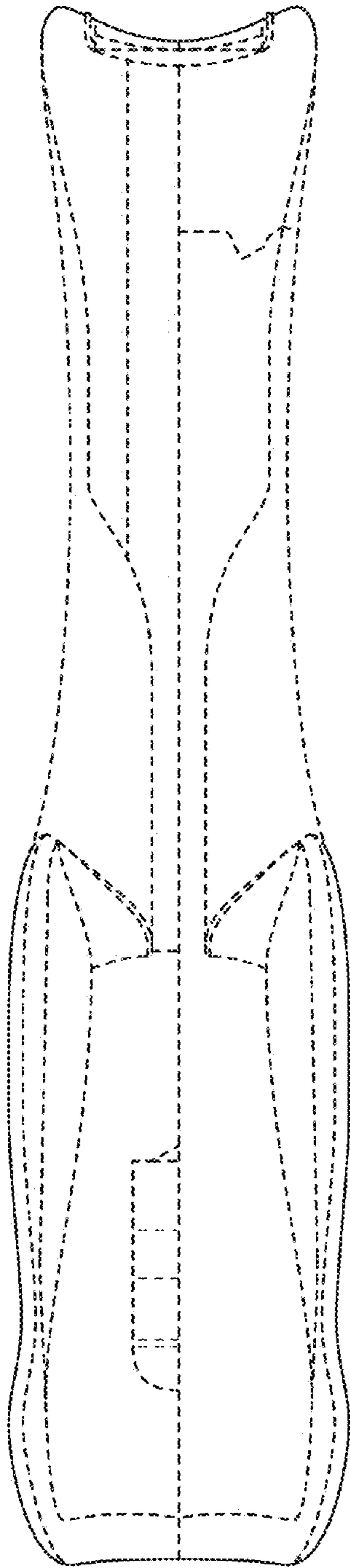


FIG. 6

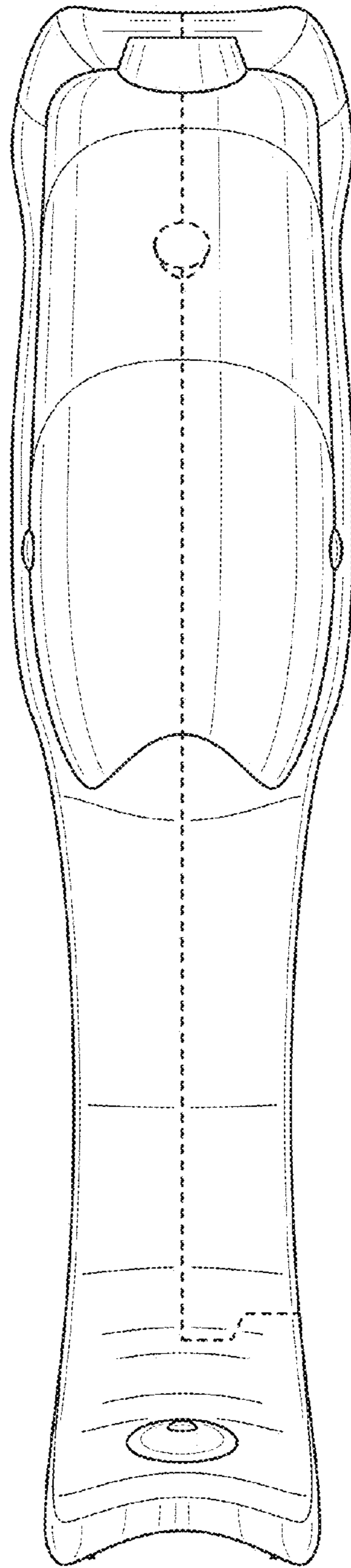


FIG. 7

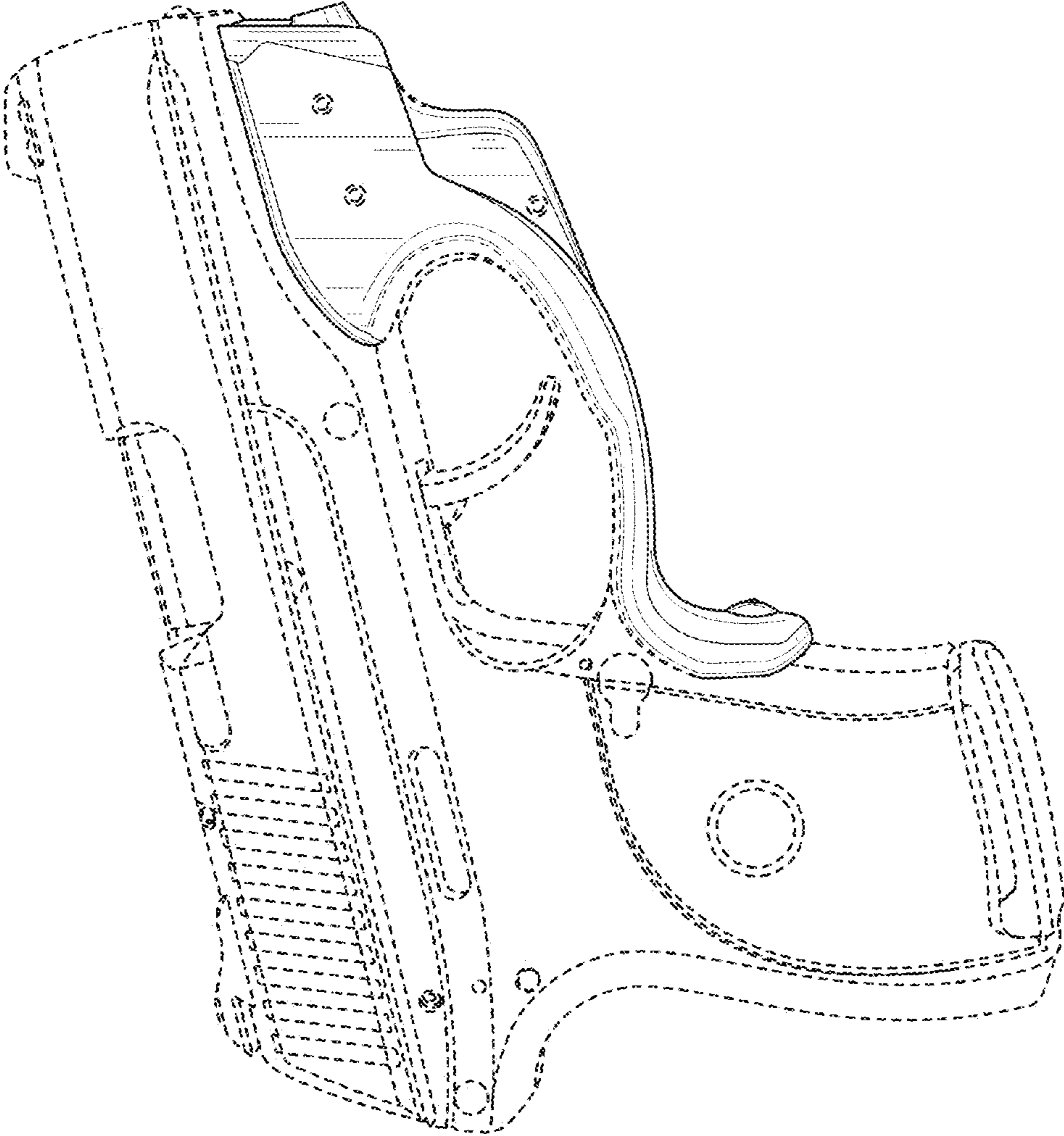


FIG. 8