

US00D694846S

(12) **United States Design Patent**  
**Ferguson et al.**

(10) **Patent No.:** **US D694,846 S**  
(45) **Date of Patent:** **\*\* Dec. 3, 2013**

(54) **SHOTGUN SAFE GUN INDICATOR**

(76) Inventors: **Richard Timothy Ferguson**, Franklin, KY (US); **Richard Timothy Ferguson, II**, Russellville, KY (US)

(\*\*) Term: **14 Years**

(21) Appl. No.: **29/430,736**

(22) Filed: **Aug. 29, 2012**

(51) **LOC (9) Cl.** ..... **22-01**

(52) **U.S. Cl.**  
USPC ..... **D22/108**

(58) **Field of Classification Search**  
USPC ..... D22/108; 42/70.01–70.11;  
D13/155–156

See application file for complete search history.

6,408,556	B1	6/2002	Achee et al.	
6,470,615	B1	10/2002	Peterken	
6,675,520	B2	1/2004	Burigana	
7,240,449	B2 *	7/2007	Clifton, Jr.	42/70.11
7,266,921	B2	9/2007	McClellan	
D576,701	S	9/2008	Nichols	
D620,996	S	8/2010	DiGiuseppe et al.	
8,448,363	B2 *	5/2013	Fagnoli et al.	42/16
2010/0083550	A1 *	4/2010	Ogershok	42/70.06

\* cited by examiner

*Primary Examiner* — Michael A Pratt

(74) *Attorney, Agent, or Firm* — Laura M Hagan; Kerrick Stivers Coyle PLC

(57) **CLAIM**

We claim the ornamental design for a shotgun safe gun indicator, as shown and described.

(56) **References Cited**

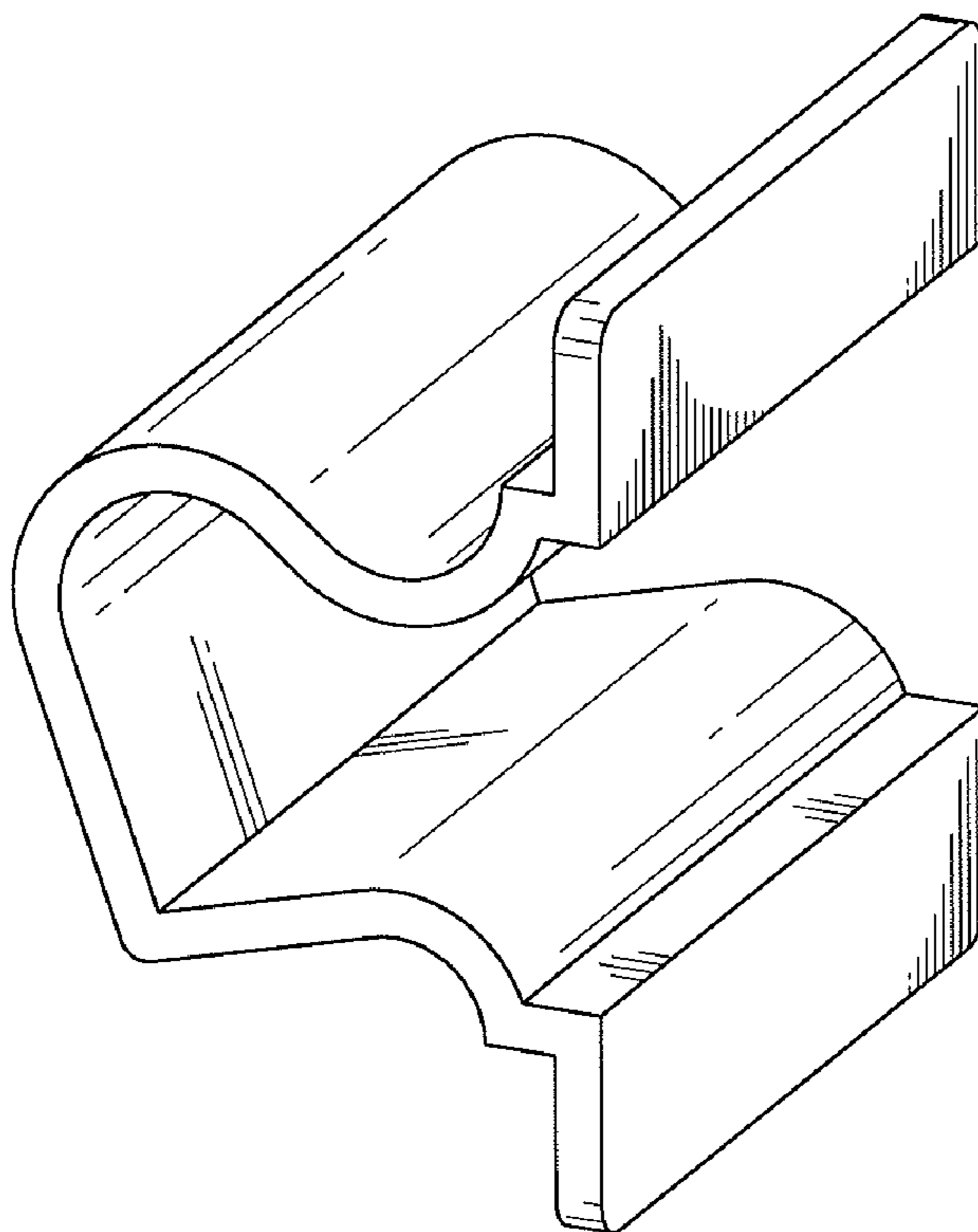
U.S. PATENT DOCUMENTS

3,378,943	A	4/1968	Valburg	
4,567,810	A *	2/1986	Preston	89/142
4,603,498	A	8/1986	Johnson	
4,896,447	A *	1/1990	Badoni	42/95
5,010,674	A	4/1991	Horton	
5,033,218	A	7/1991	Nelson	
5,311,691	A *	5/1994	Cacek	42/1.01
5,419,069	A *	5/1995	Mumbleau et al.	42/70.11
5,732,498	A *	3/1998	Arreguin	42/70.11
6,250,008	B1	6/2001	Silver	
D445,475	S	7/2001	Spear	

**DESCRIPTION**

FIG. 1 is a perspective view of the shotgun safe gun indicator, showing our new design;  
FIG. 2 is another perspective view thereof;  
FIG. 3 is a left side plan view thereof;  
FIG. 4 is a front plan view thereof; said rear plan view being a mirror image thereof;  
FIG. 5 is a right side plan view thereof;  
FIG. 6 is the top plan view thereof; and,  
FIG. 7 is a bottom plan view thereof.

**1 Claim, 3 Drawing Sheets**



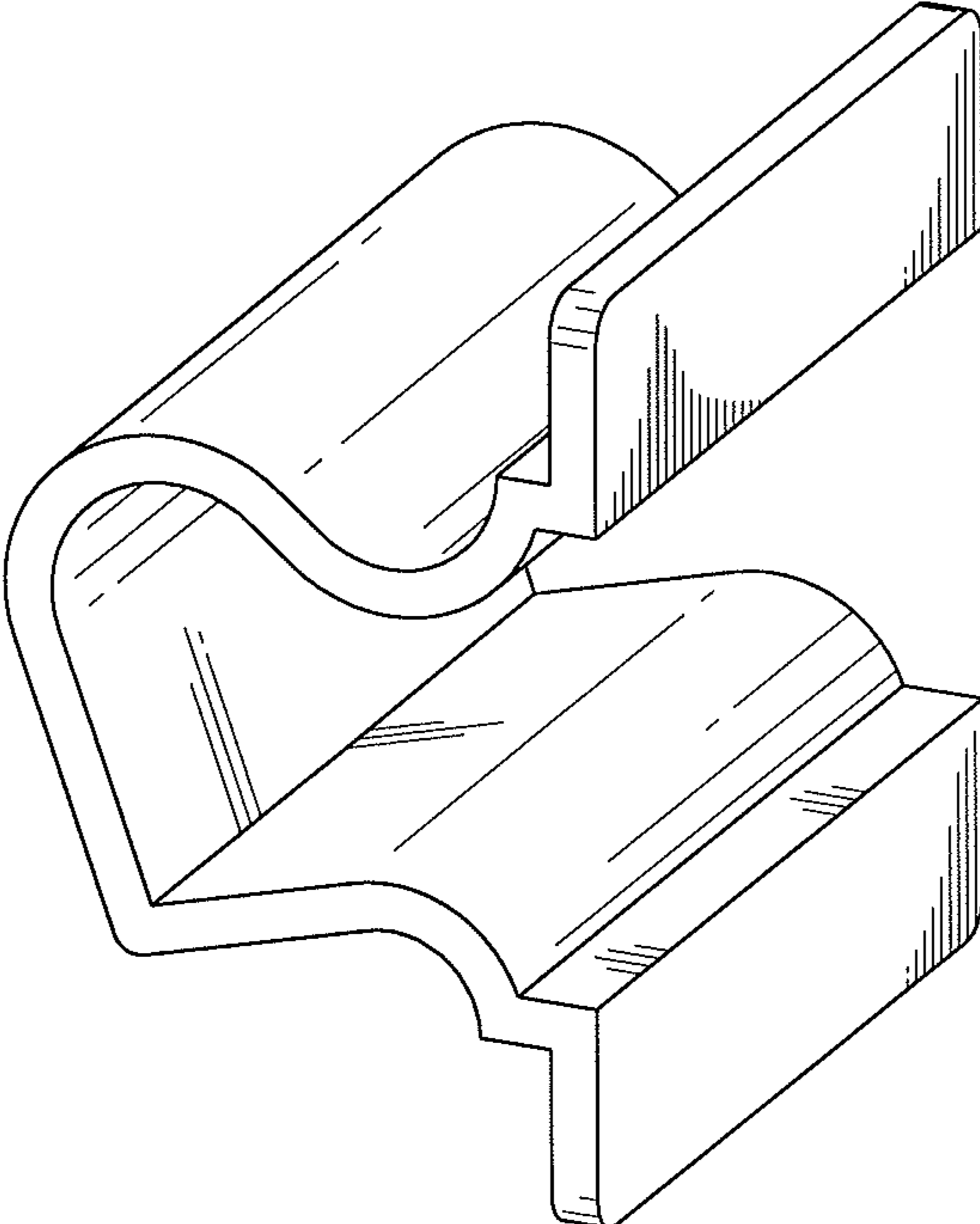


FIG. 1

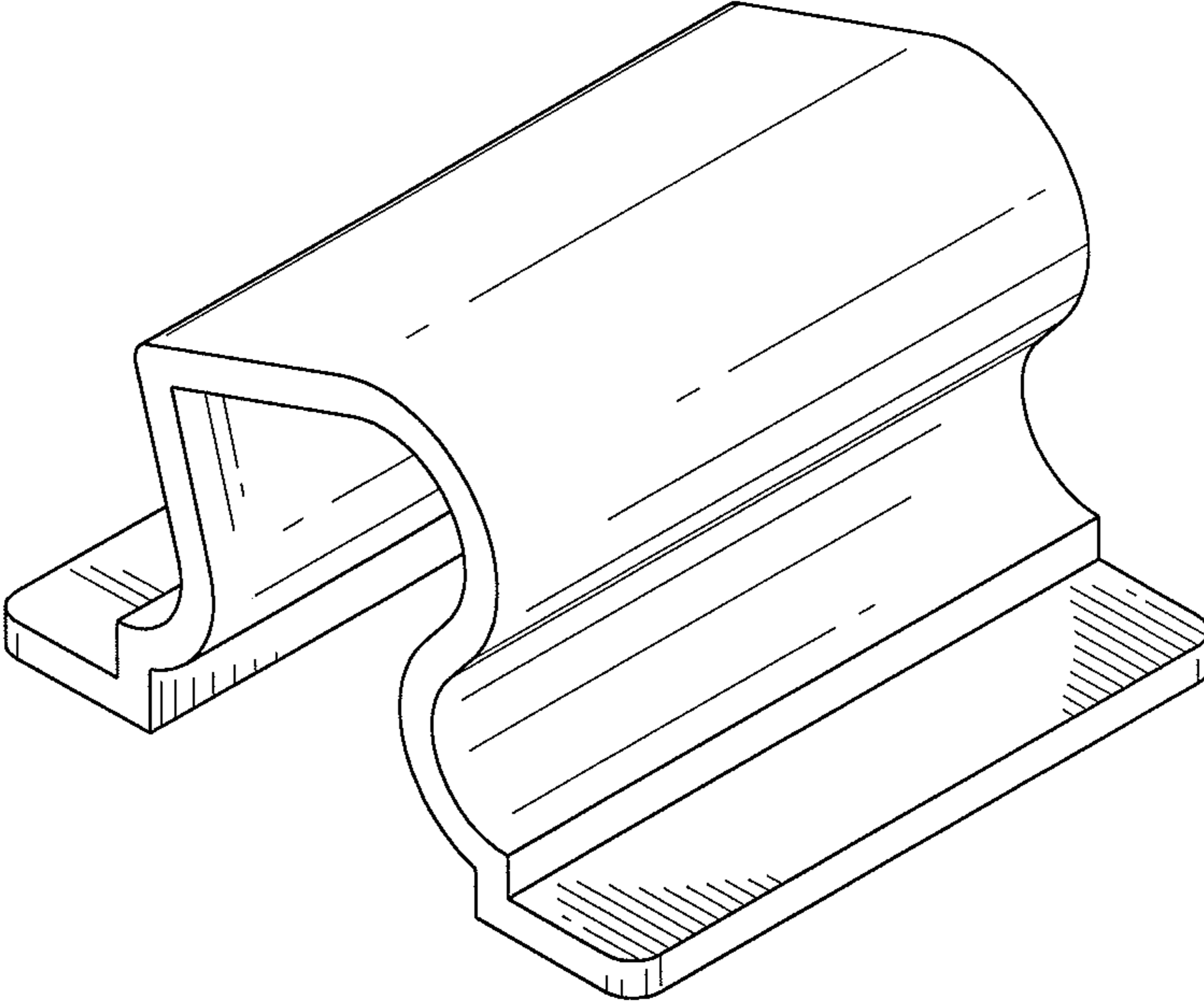


FIG. 2

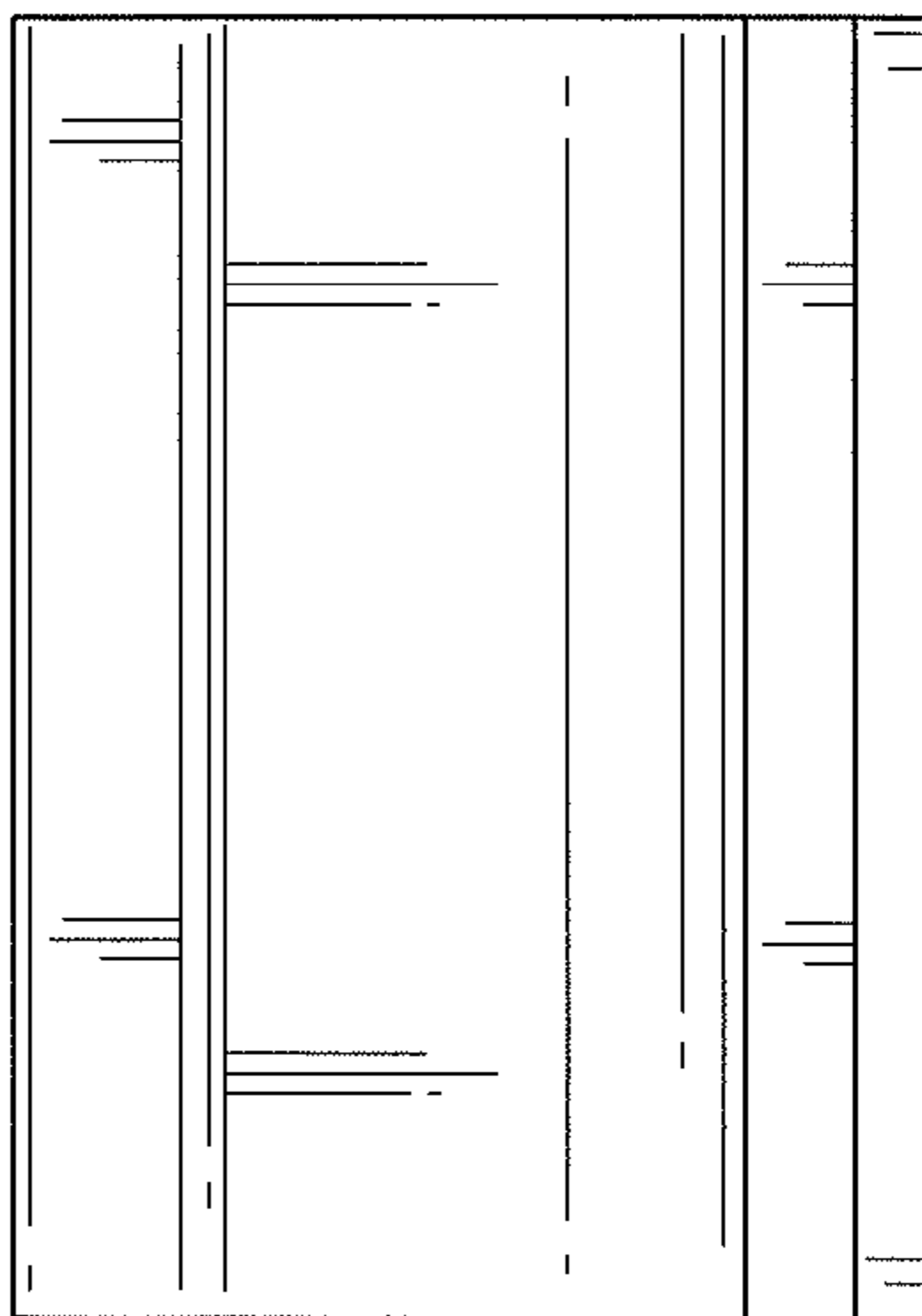


FIG. 3

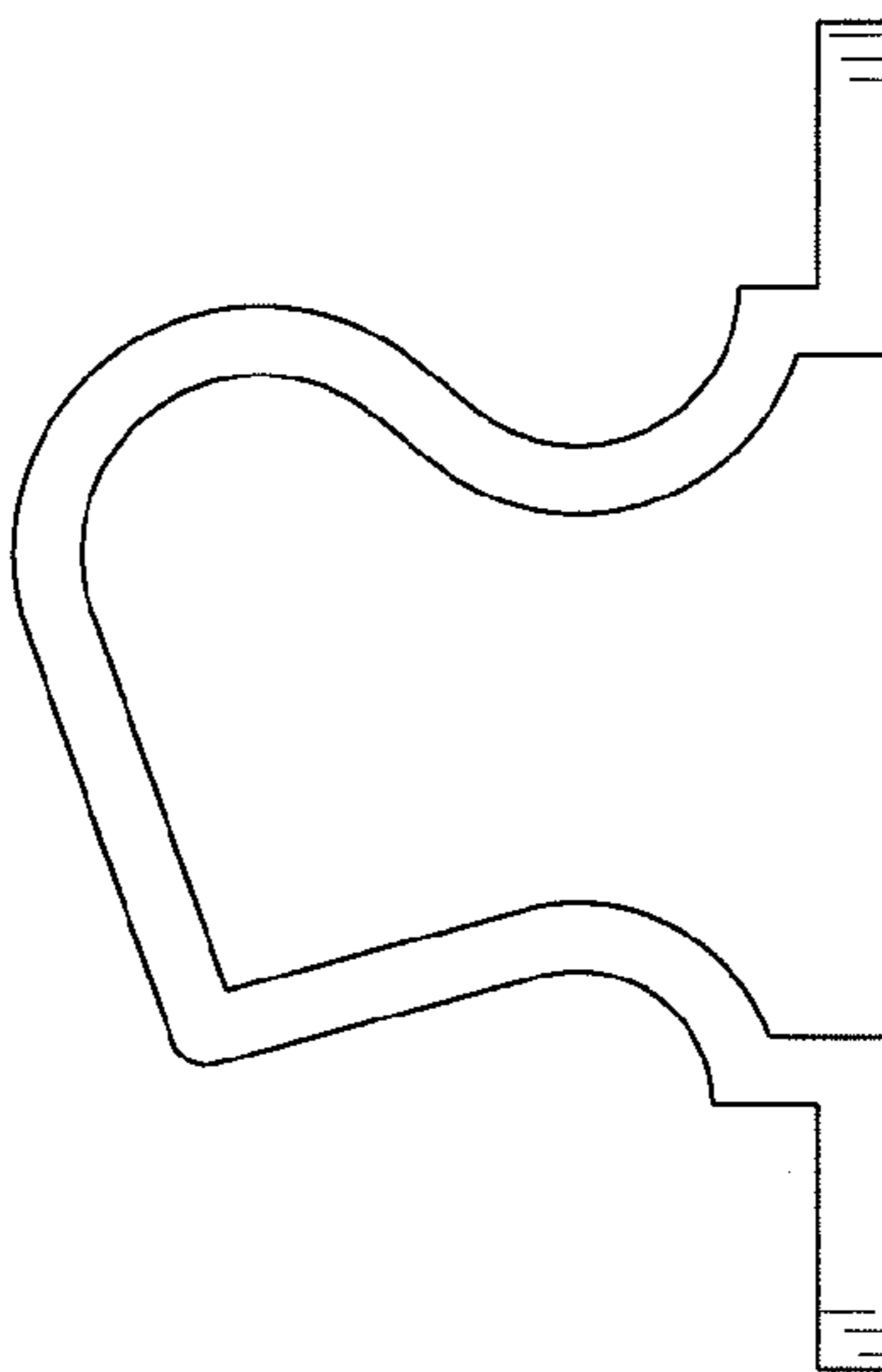


FIG. 4

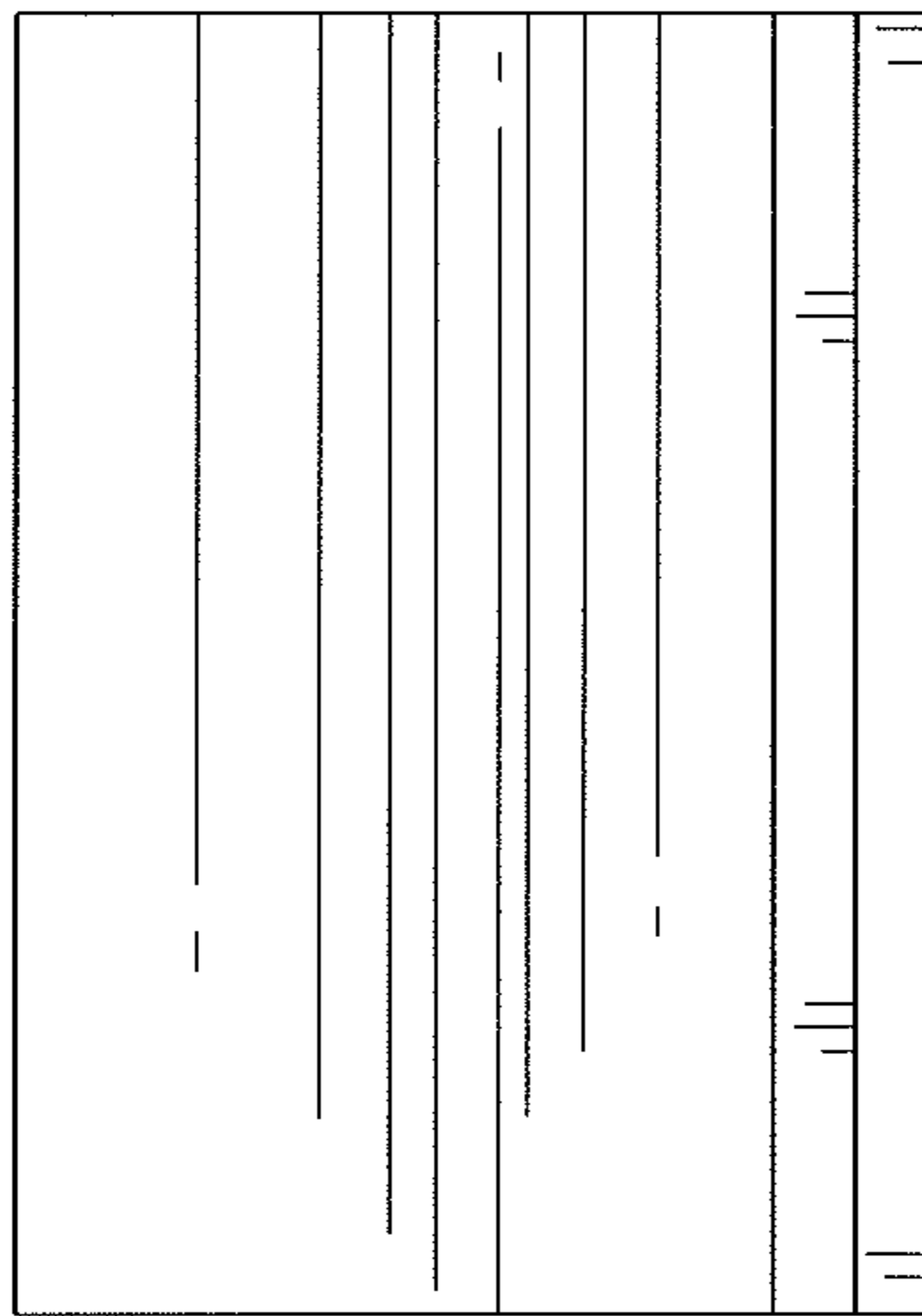


FIG. 5

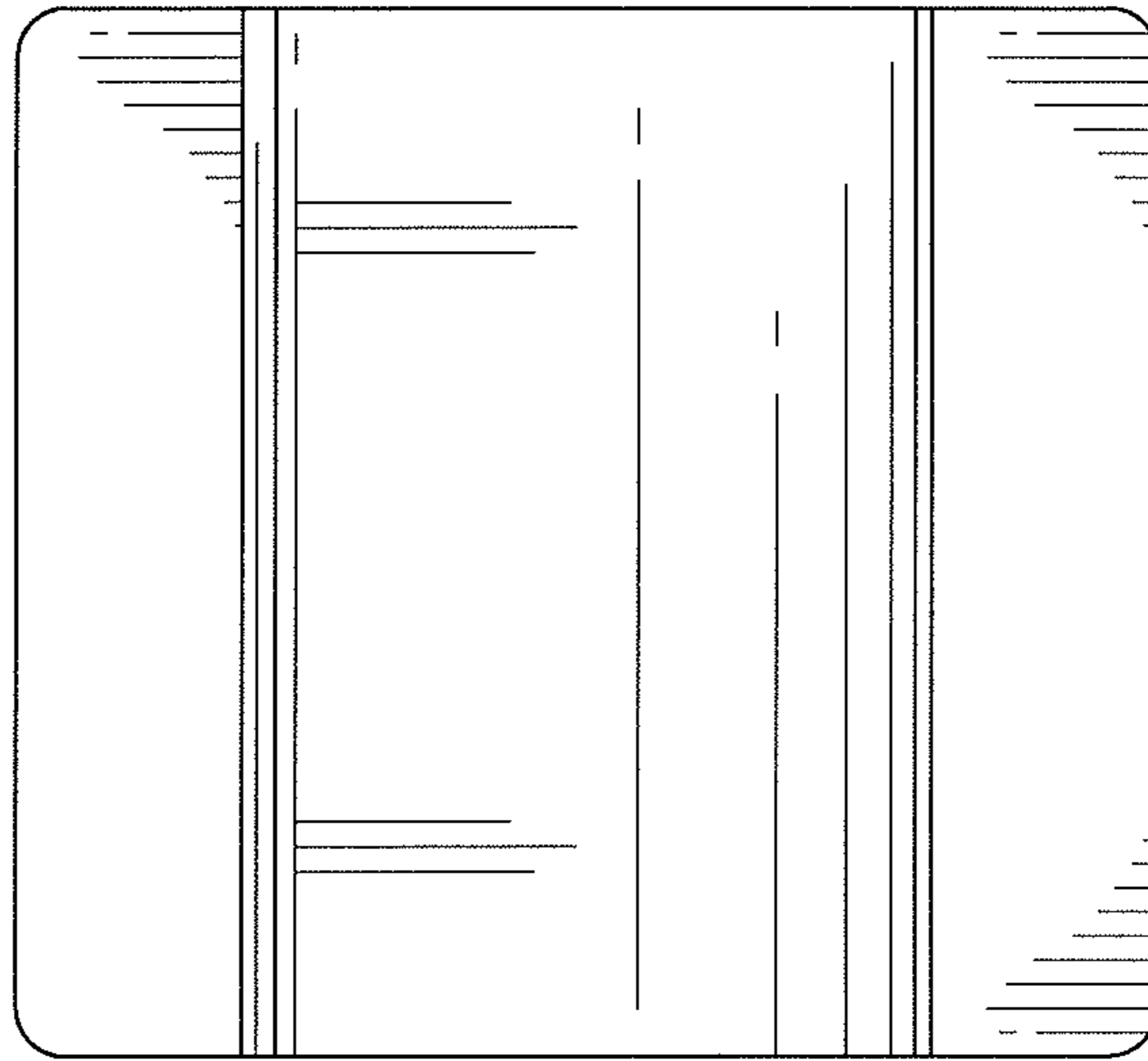


FIG. 6

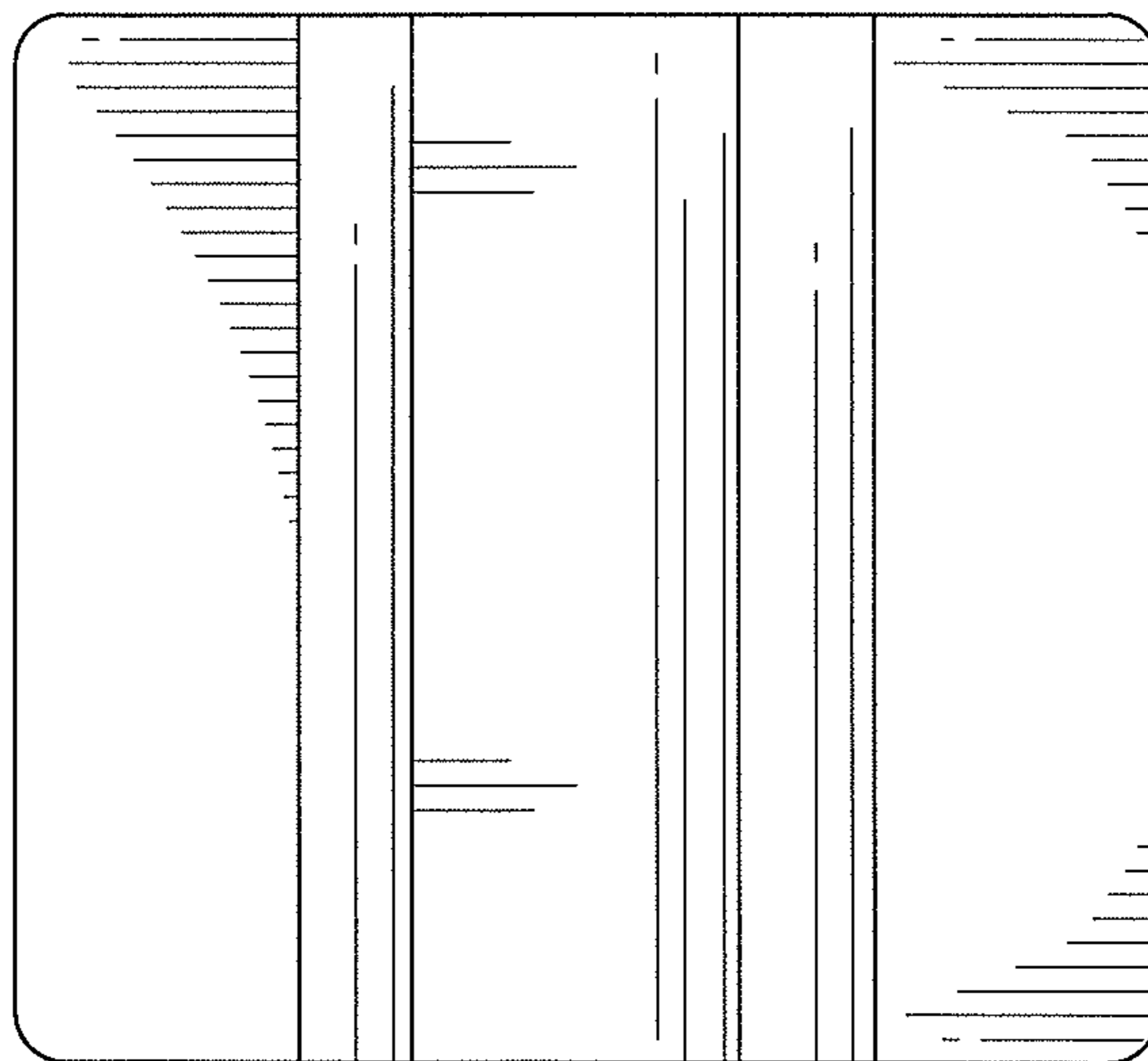


FIG. 7