



US00D694845S

(12) **United States Design Patent**
Satzinger

(10) **Patent No.:** **US D694,845 S**
(45) **Date of Patent:** **** Dec. 3, 2013**

(54) **BARREL MOUNTED PICATINNY RAIL**

(76) Inventor: **Frank Satzinger**, Polling (DE)

(**) Term: **14 Years**

(21) Appl. No.: **29/420,689**

(22) Filed: **May 11, 2012**

(30) **Foreign Application Priority Data**

Mar. 8, 2012 (EM) 002005249

(51) **LOC (9) Cl.** **22-01**

(52) **U.S. Cl.**
USPC **D22/108**

(58) **Field of Classification Search**
USPC D22/108; D8/356; 42/85, 94;
D29/101.1, 101.2; 224/150;
D3/214–215, 221, 262, 327–328
See application file for complete search history.

(56) **References Cited**

U.S. PATENT DOCUMENTS

D317,810 S *	6/1991	Rightnour	D22/108
D455,191 S *	4/2002	Norris, Sr.	D22/108
6,598,330 B2 *	7/2003	Garrett et al.	42/85
D508,726 S *	8/2005	Storch	D22/108
7,654,027 B1 *	2/2010	Grover	42/85
7,752,797 B1 *	7/2010	Swan	42/85
D636,836 S *	4/2011	Fitzpatrick et al.	D22/108
D639,890 S *	6/2011	Troy, Jr.	D22/108
D664,233 S *	7/2012	Heidkamp et al.	D22/108
D669,150 S *	10/2012	Mayberry et al.	D22/108
2006/0037226 A1 *	2/2006	Garrett et al.	42/85

2010/0162609 A1 *	7/2010	Rogers et al.	42/85
2010/0287808 A1 *	11/2010	King	42/85
2011/0017788 A1 *	1/2011	Haley et al.	224/150

* cited by examiner

Primary Examiner — Michael A Pratt
(74) *Attorney, Agent, or Firm* — Factor Intellectual Property Law Group, Ltd.

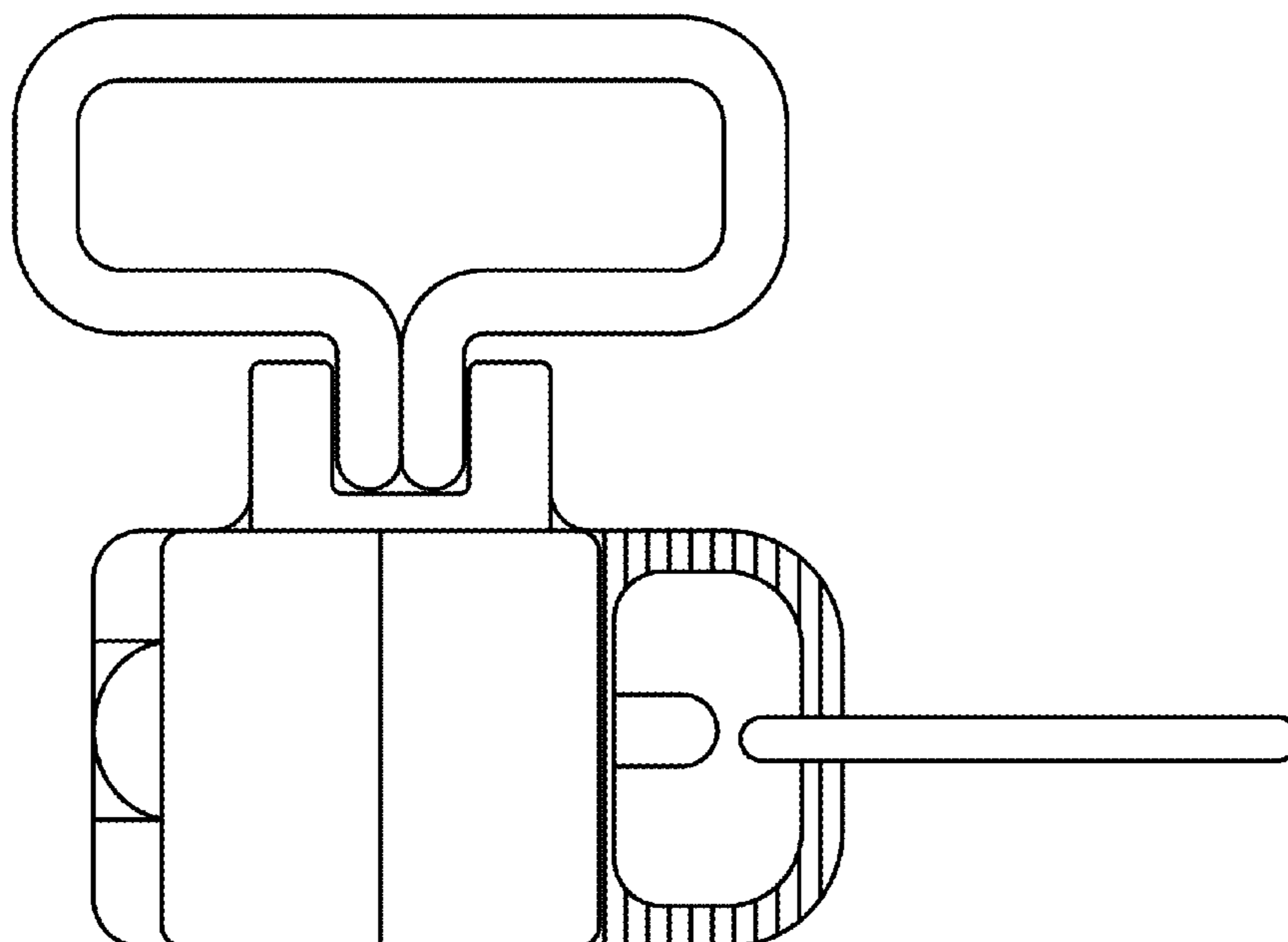
(57) **CLAIM**
The ornamental design for barrel mounted picatinny rail, as shown and described.

DESCRIPTION

This application is related to U.S. patent application Ser. Nos. 29,420,687, entitled Universal Sling Mount for Picatinny Rail; 29/420,696, entitled Barrel Mounted Picatinny Rail; 29/420,697, entitled Barrel Mounted Picatinny Rail—all of which were simultaneously filed with the present application on May 11, 2012.

FIG. 1 is a top view of the barrel mounted picatinny rail showing a new ornamental design thereof;
FIG. 2 is a bottom view of the barrel mounted picatinny rail shown in FIG. 1;
FIG. 3 is a front elevation view of the barrel mounted picatinny rail shown in FIG. 1;
FIG. 4 is a rear elevation view of the barrel mounted picatinny rail shown in FIG. 1;
FIG. 5 is a left side elevation view of the barrel mounted picatinny rail shown in FIG. 1;
FIG. 6 is a right side elevation view of the barrel mounted picatinny rail shown in FIG. 1; and,
FIG. 7 is a perspective elevation view of the barrel mounted picatinny rail shown in FIG. 1.

1 Claim, 7 Drawing Sheets



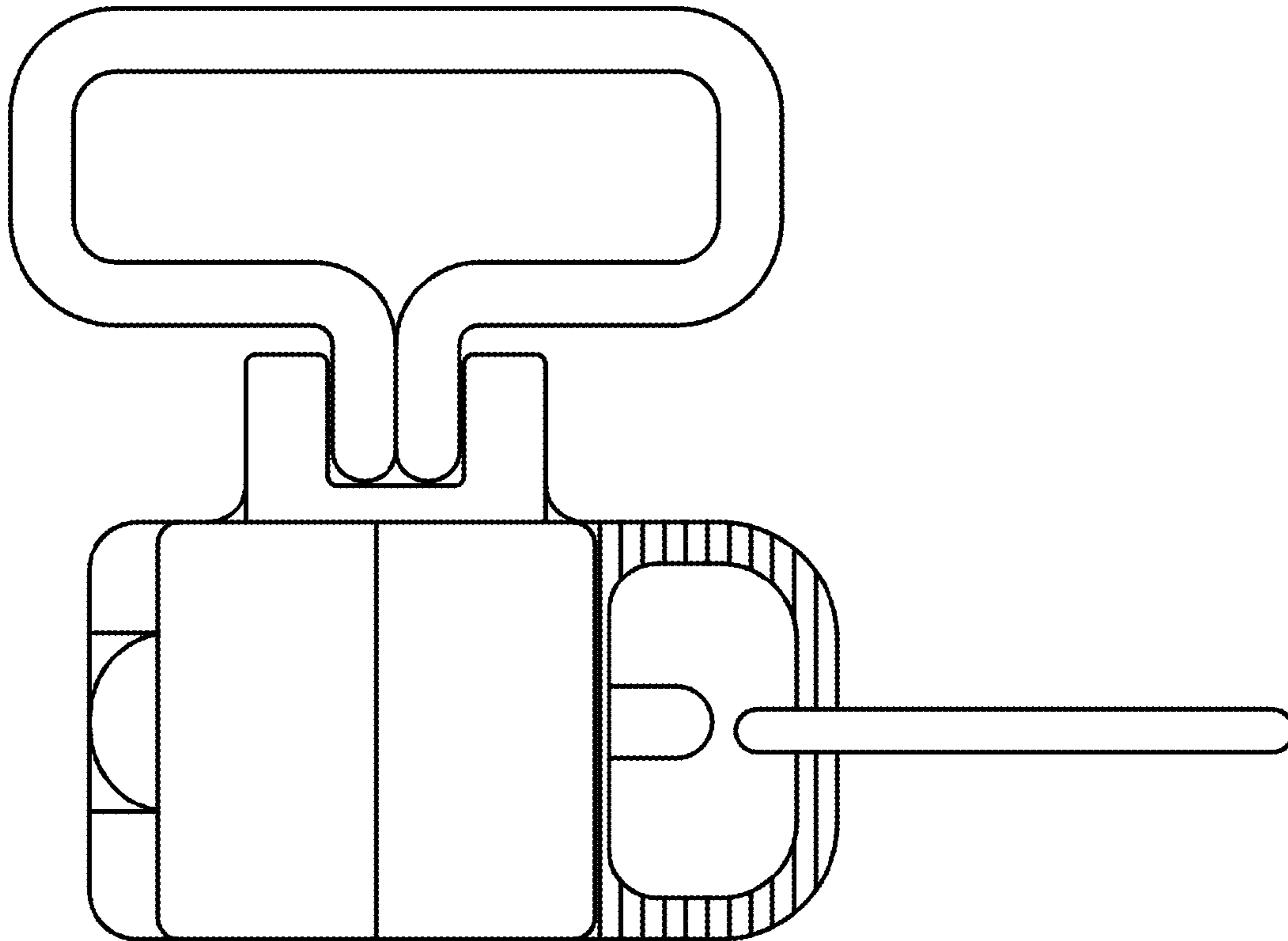


Fig. 1

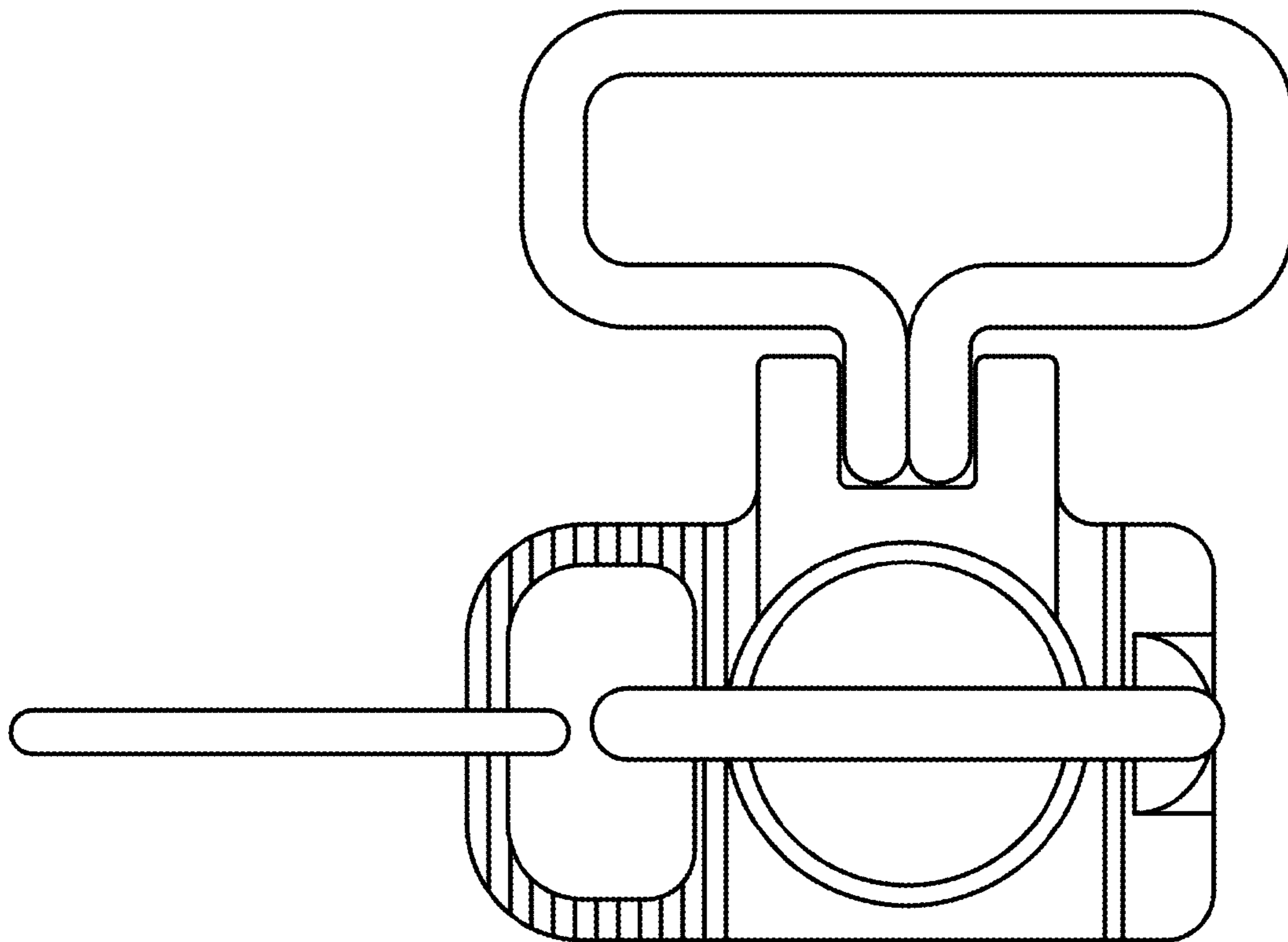


Fig. 2

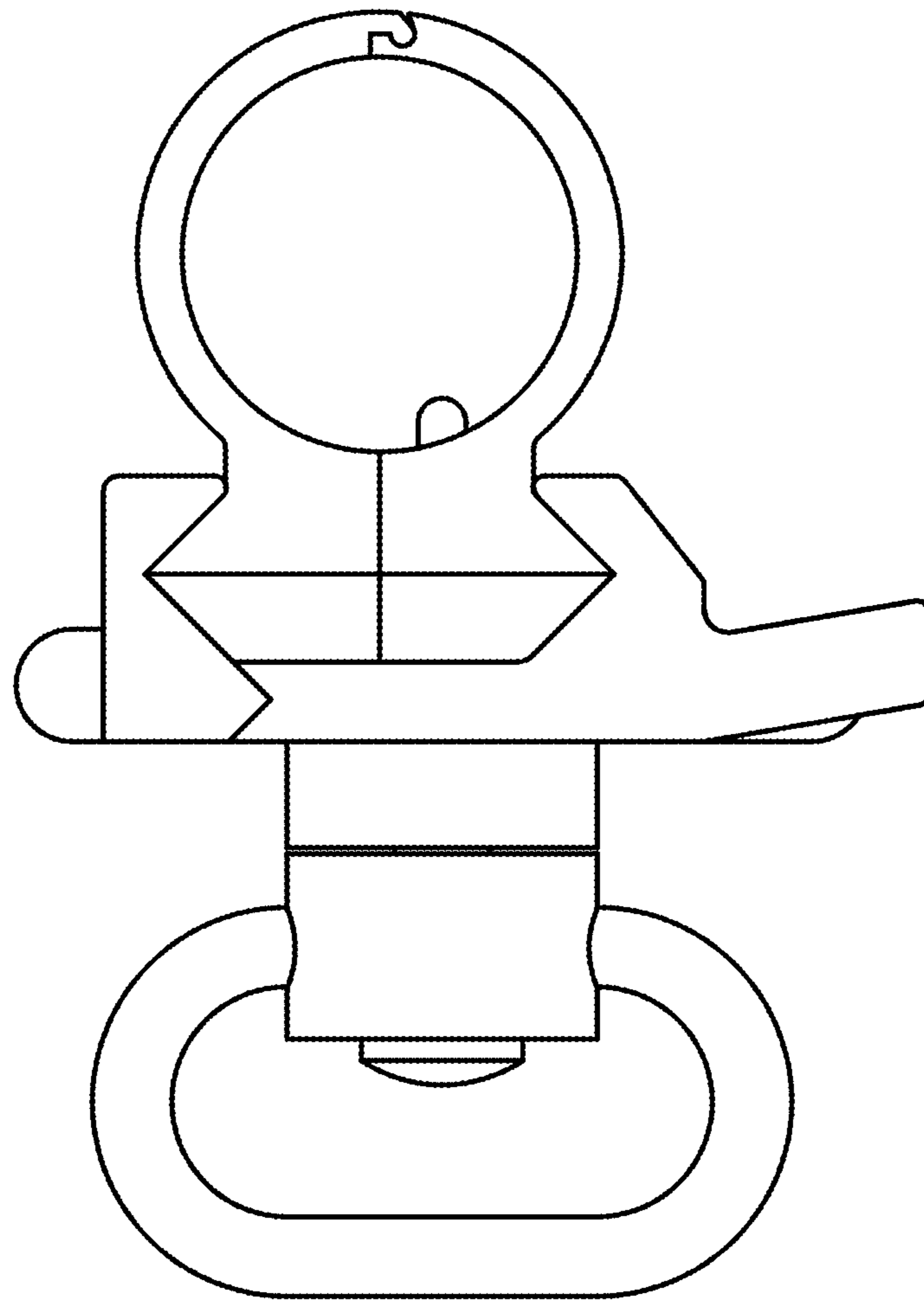


Fig. 3

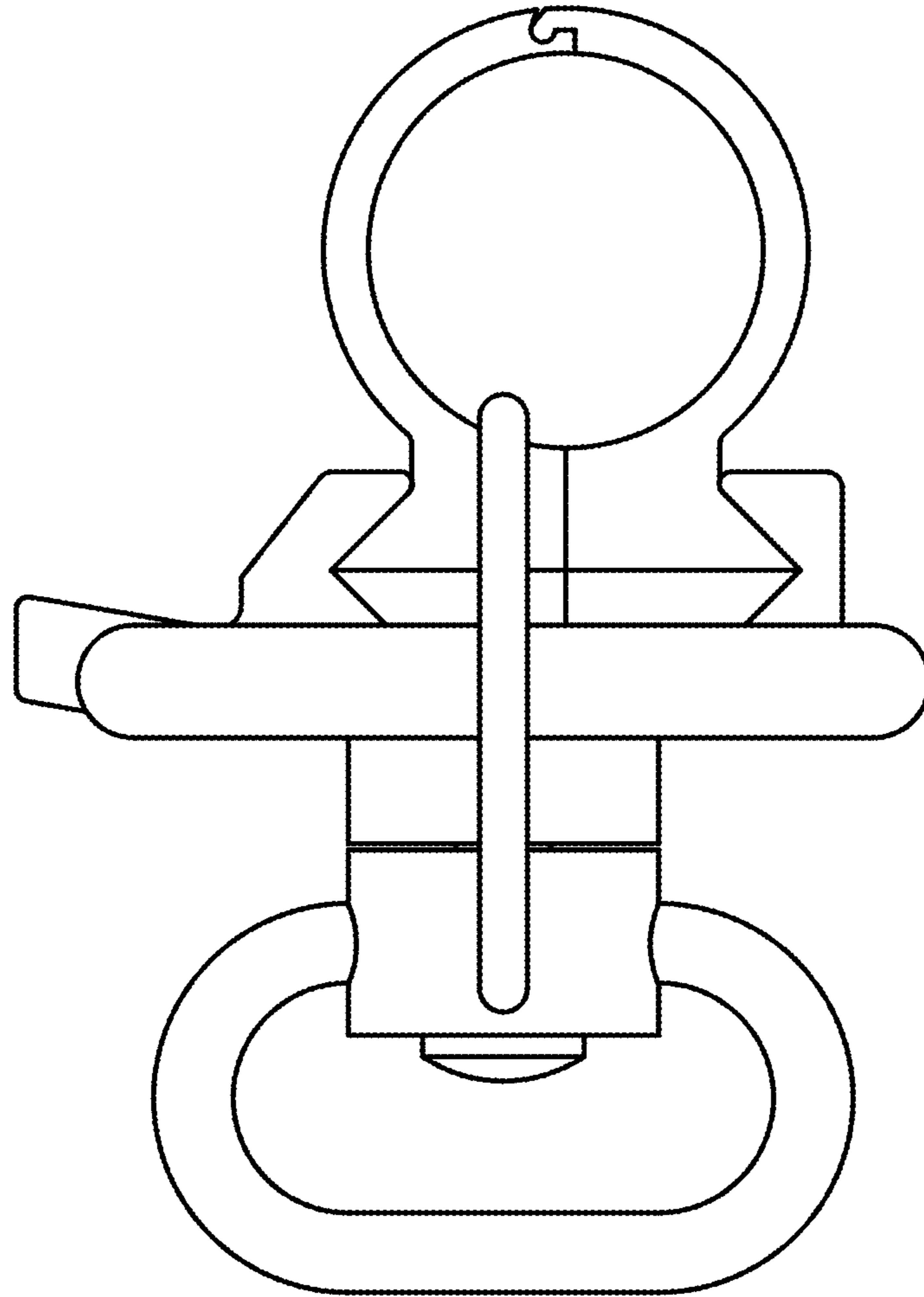


Fig. 4

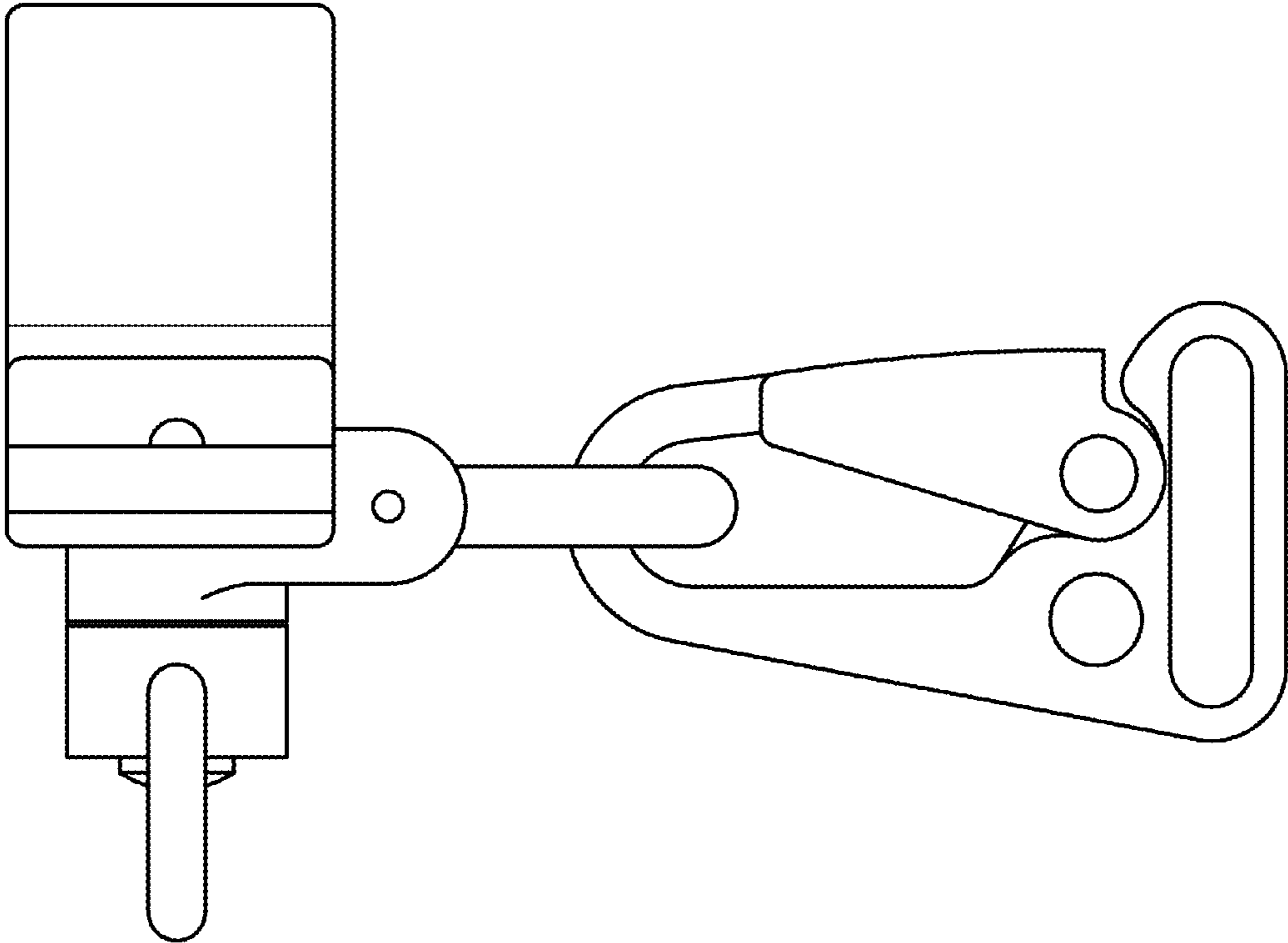


Fig. 5

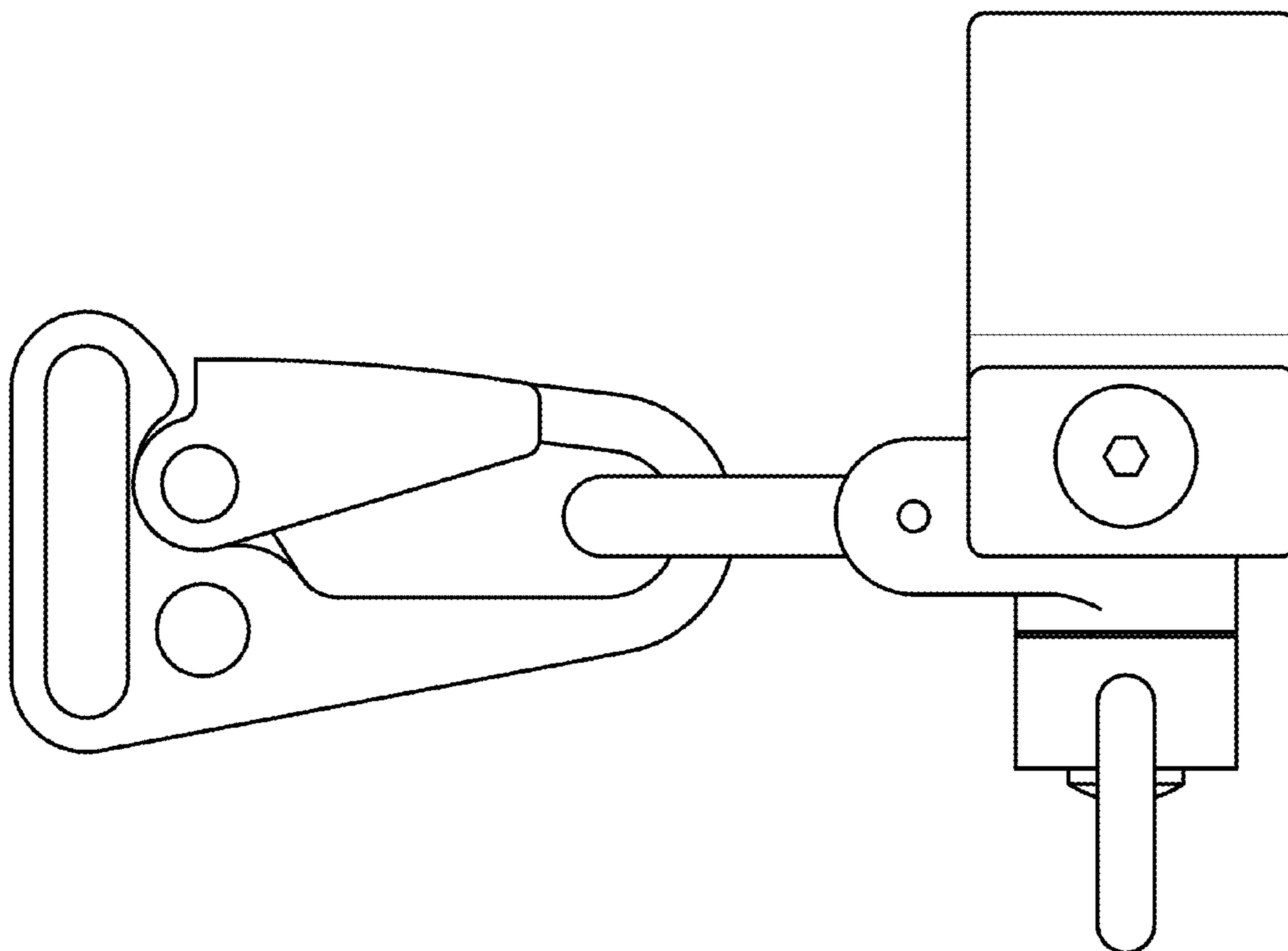


Fig. 6

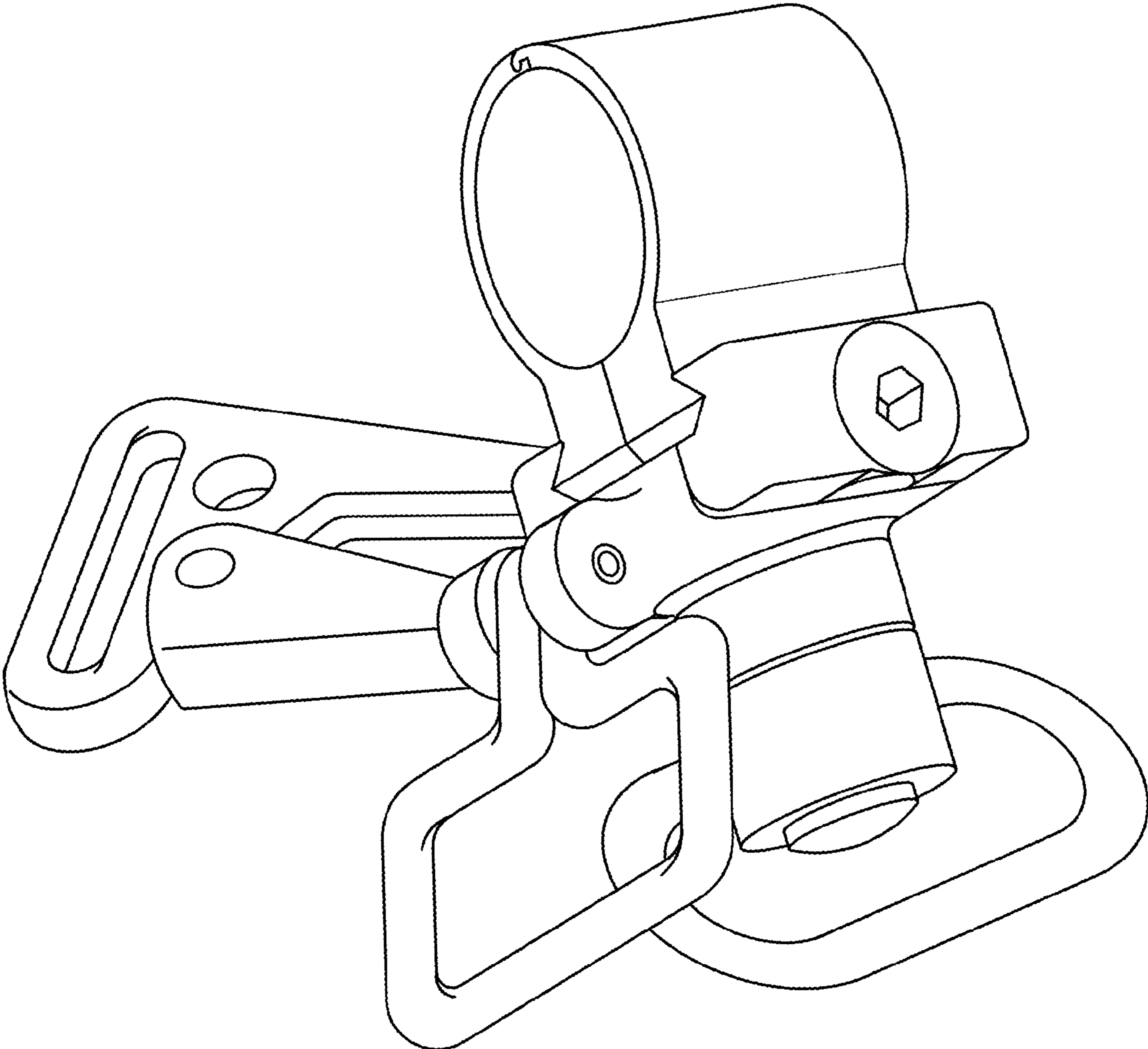


Fig. 7