



US00D694844S

(12) **United States Design Patent**  
**Kim et al.**

(10) **Patent No.:** **US D694,844 S**  
(45) **Date of Patent:** **\*\* Dec. 3, 2013**

(54) **GOLF CLUB HEAD**  
(71) Applicant: **Callaway Golf Company**, Carlsbad, CA (US)  
(72) Inventors: **Wee Joung Kim**, Vista, CA (US); **Philip G. Foster**, Vista, CA (US); **Joel B. Erickson**, Pierce, NE (US)  
(73) Assignee: **Callaway Golf Company**, Carlsbad, CA (US)  
(\*\*) Term: **14 Years**

D414,234 S \* 9/1999 Darrah ..... D21/759  
D508,544 S \* 8/2005 Madore ..... D21/752  
D515,157 S \* 2/2006 Madore ..... D21/752  
D520,585 S \* 5/2006 Hasebe ..... D21/752  
D523,104 S \* 6/2006 Hasebe ..... D21/752  
D536,049 S \* 1/2007 Evans et al. .... D21/759  
D538,866 S \* 3/2007 Kim et al. .... D21/752  
D553,216 S \* 10/2007 Harvell et al. .... D21/759  
D553,217 S \* 10/2007 Harvell et al. .... D21/759  
D592,721 S \* 5/2009 Foster et al. .... D21/752  
D594,074 S \* 6/2009 Foster et al. .... D21/752  
D617,860 S \* 6/2010 Foster et al. .... D21/752  
D618,749 S \* 6/2010 Morris et al. .... D21/759  
D652,094 S \* 1/2012 Foster ..... D21/752  
D654,130 S \* 2/2012 Glod ..... D21/759

\* cited by examiner

(21) Appl. No.: **29/446,662**  
(22) Filed: **Feb. 26, 2013**

*Primary Examiner* — Mitchell Siegel  
(74) *Attorney, Agent, or Firm* — Rebecca Hanovice; Michael A. Catania; Sonia Lari

**Related U.S. Application Data**

(63) Continuation of application No. 29/430,602, filed on Aug. 28, 2012.  
(51) **LOC (9) Cl.** ..... **21-02**  
(52) **U.S. Cl.**  
USPC ..... **D21/759**  
(58) **Field of Classification Search**  
USPC ..... D21/733, 752, 759; 473/324–331, 473/343–346  
See application file for complete search history.

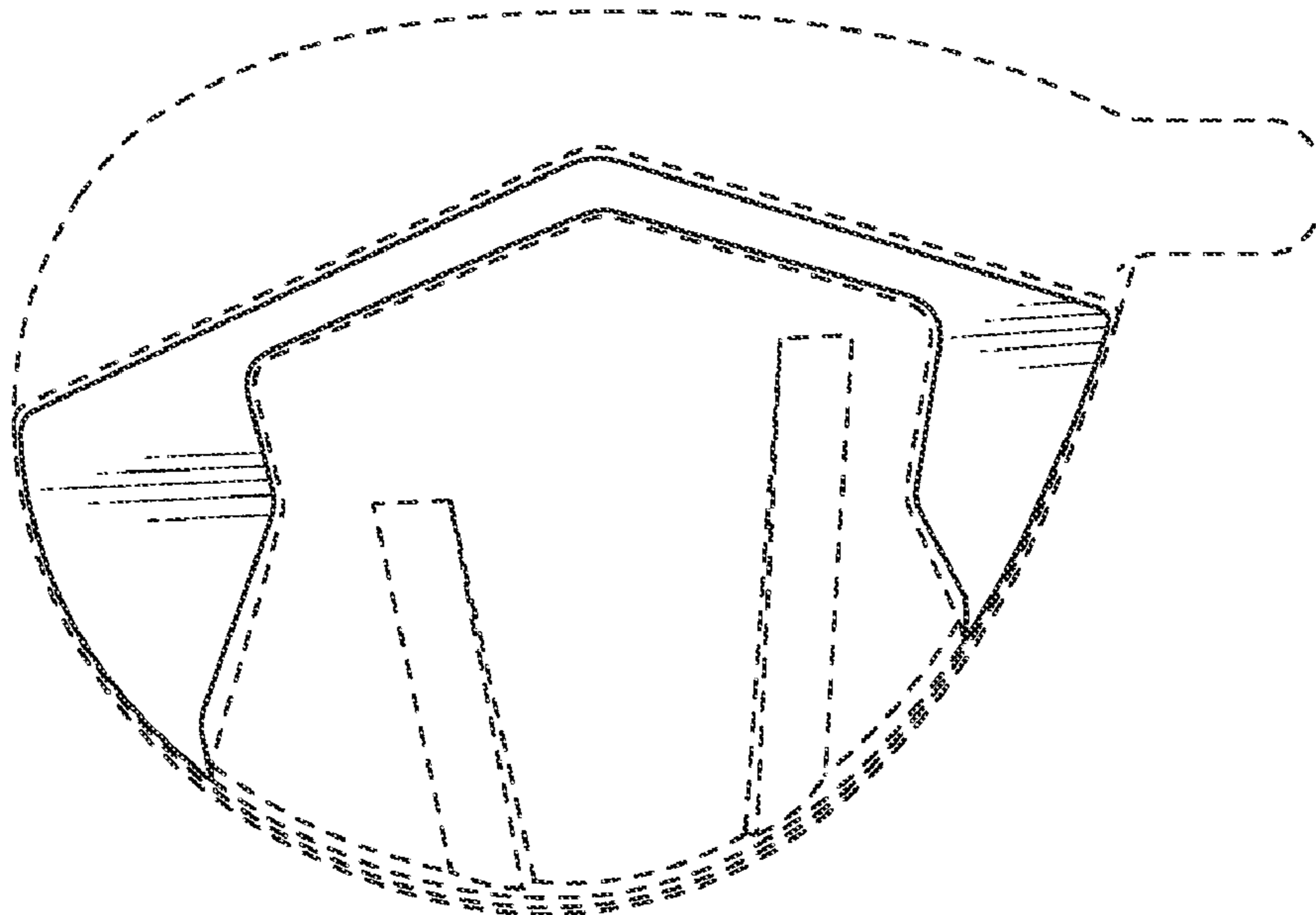
(57) **CLAIM**  
The ornamental design for a golf club head, as shown and described.

**DESCRIPTION**

FIG. 1 is a top plan view of a golf club head as claimed herein; FIG. 2 is a bottom plan view thereof; FIG. 3 is a front view thereof; FIG. 4 is a rear view thereof; FIG. 5 is a left side view thereof; and, FIG. 6 is a right side view thereof. The broken lines are included for the purpose of illustration and form no part of the claimed design.

(56) **References Cited**  
U.S. PATENT DOCUMENTS  
D266,344 S \* 9/1982 Duclos ..... D21/752  
5,213,329 A \* 5/1993 Okumoto et al. .... 473/328  
D345,403 S \* 3/1994 Sanchez ..... D21/752

**1 Claim, 3 Drawing Sheets**



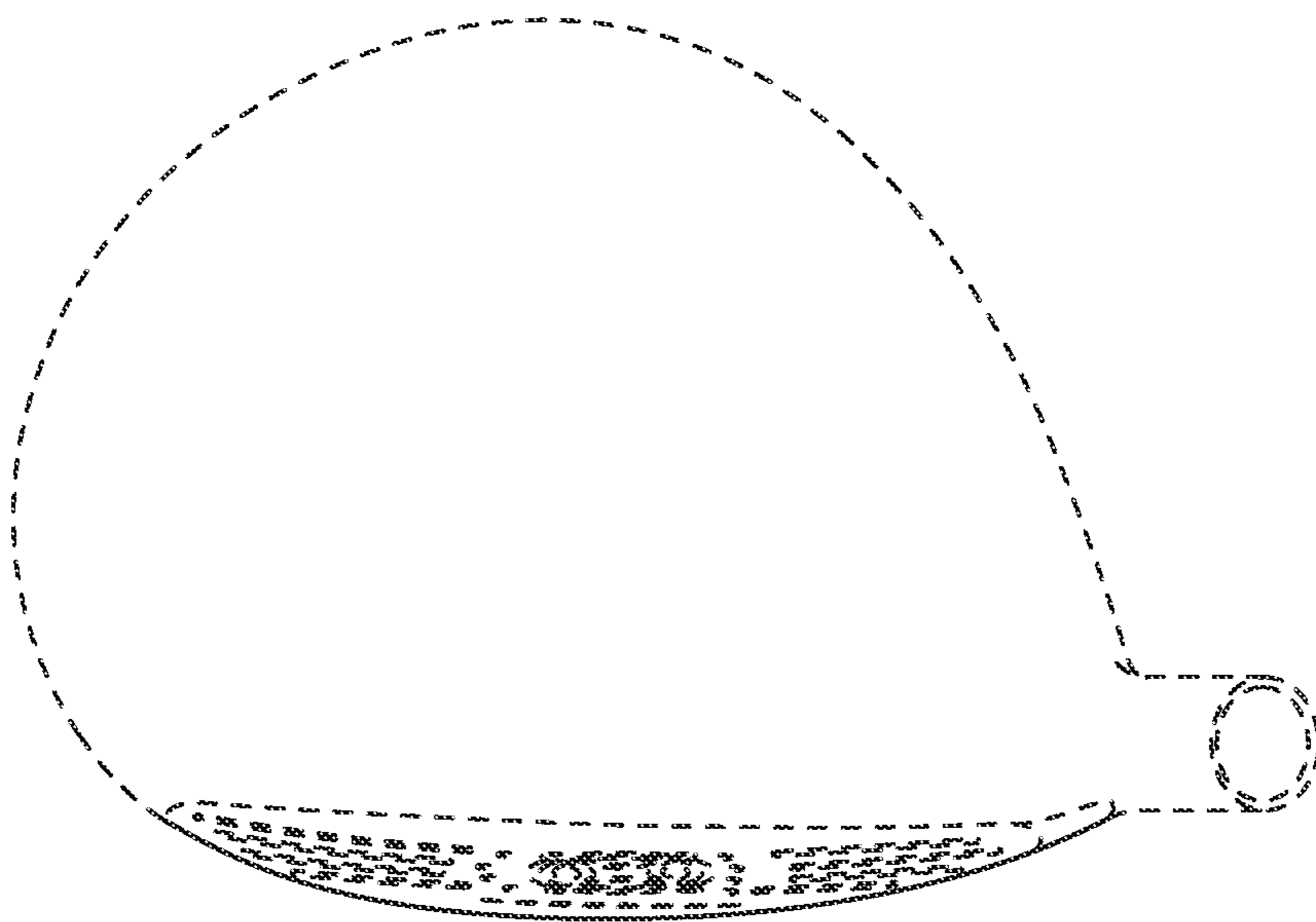


FIG. 1

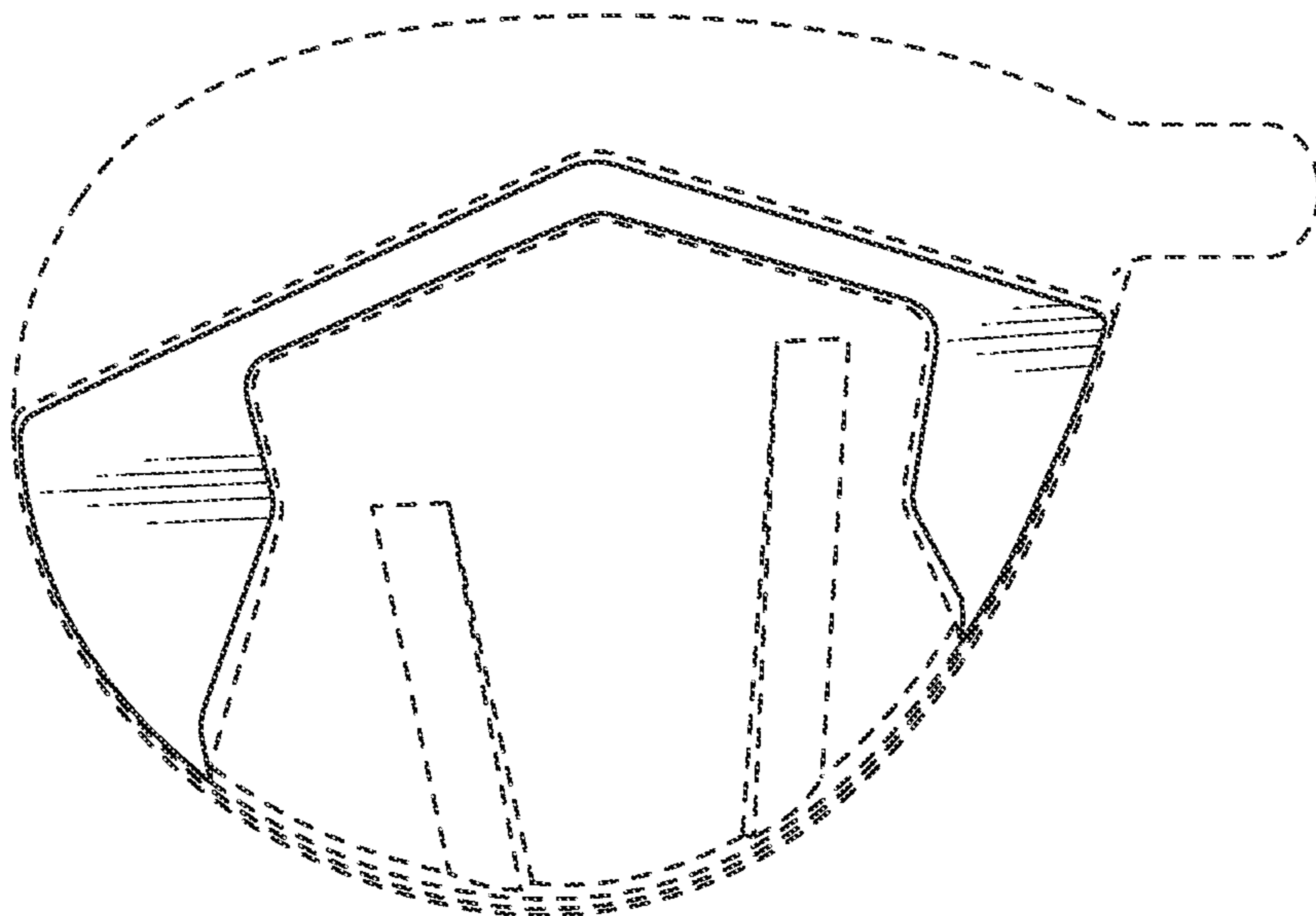


FIG. 2

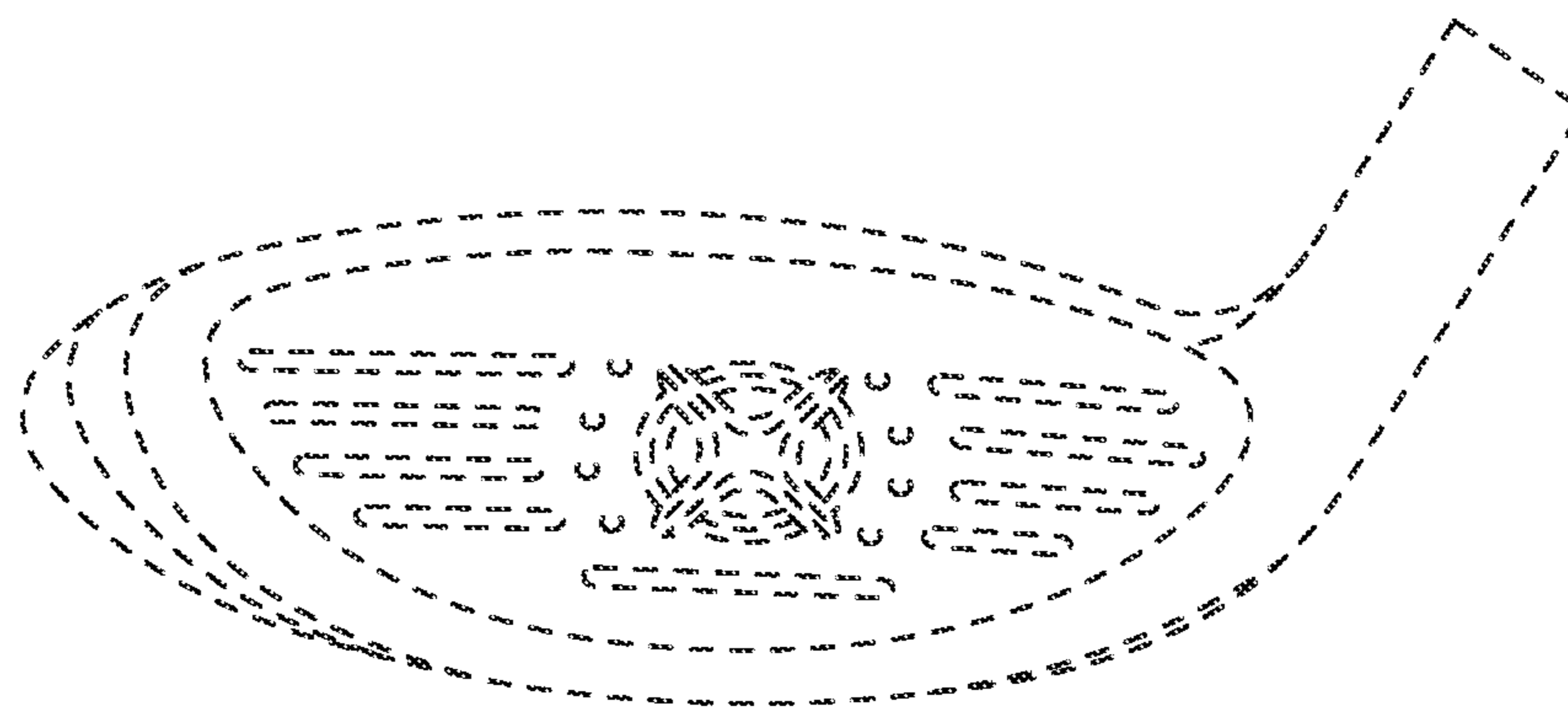


FIG. 3

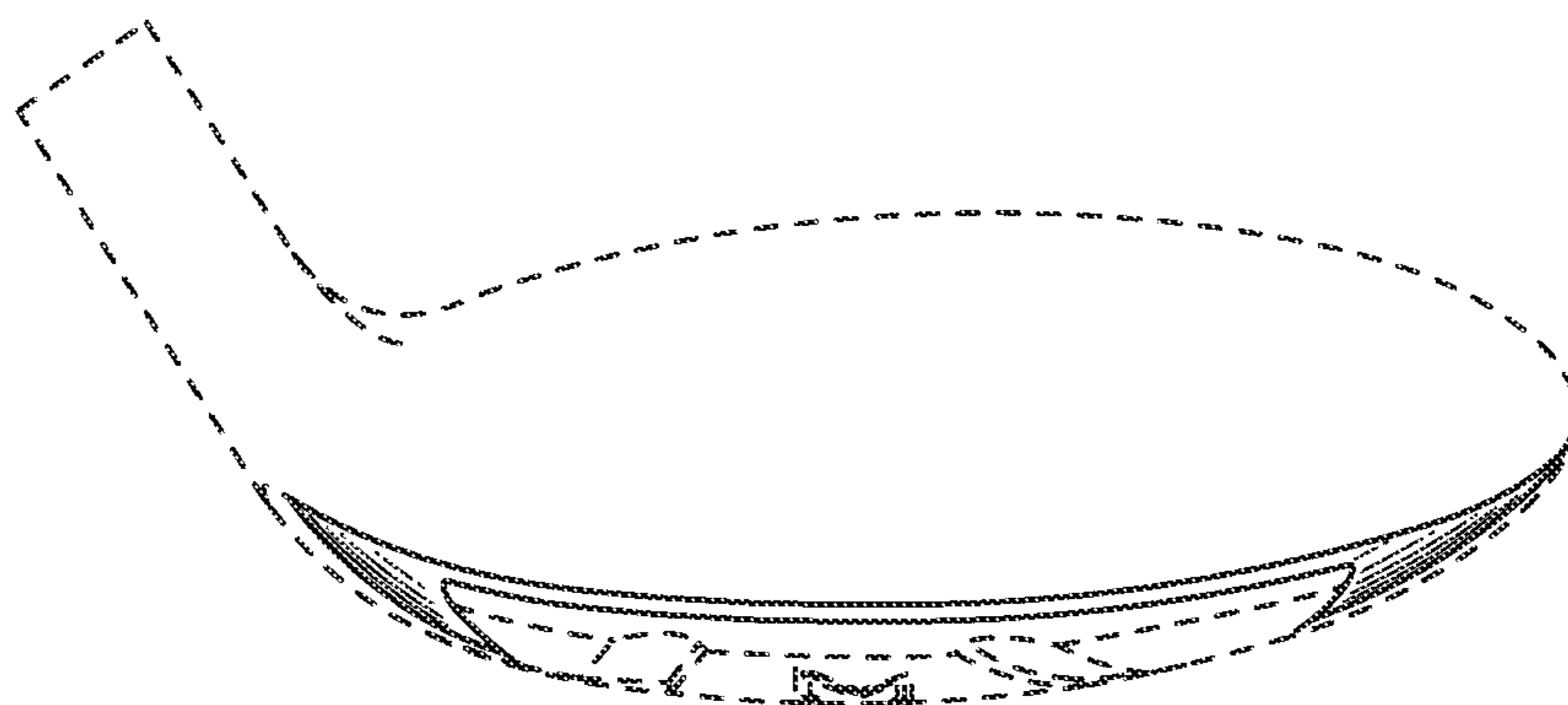


FIG. 4

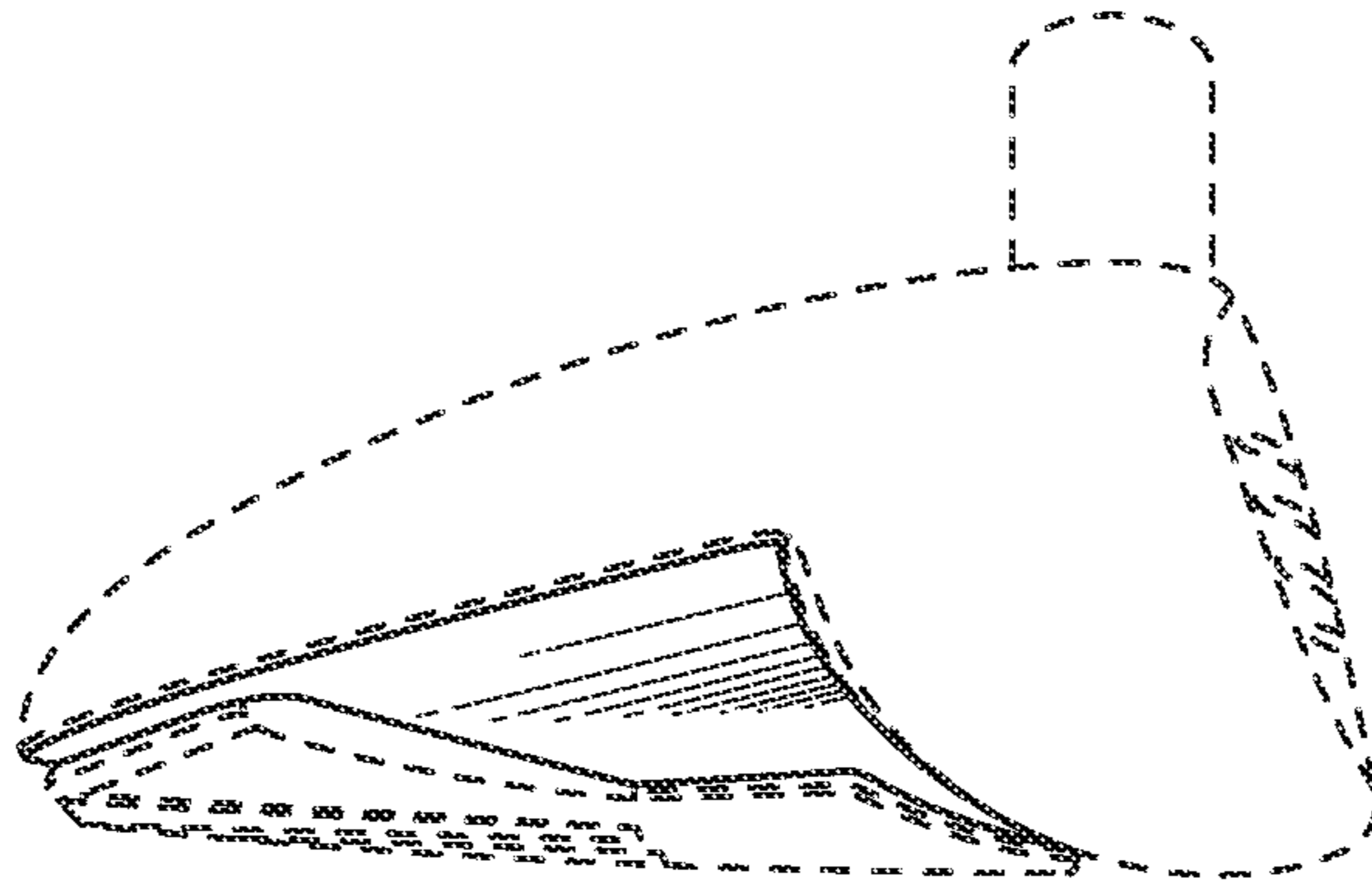


FIG. 5

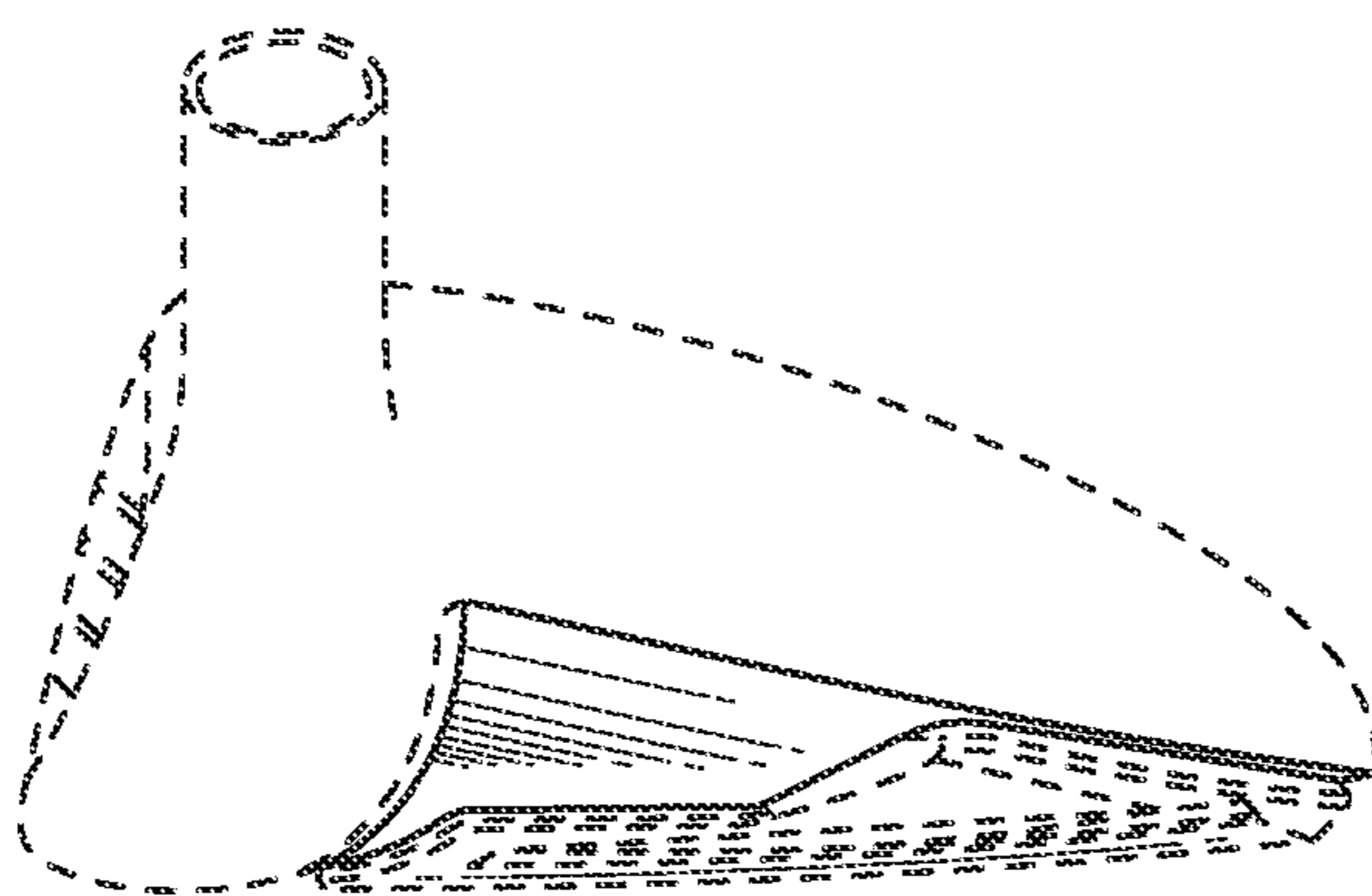


FIG. 6