

US00D694841S

(12) **United States Design Patent**
Ciminski et al.

(10) **Patent No.:** **US D694,841 S**

(45) **Date of Patent:** **** Dec. 3, 2013**

(54) **WEIGHT COLLAR FOR A WEIGHT LIFTING BAR**

(75) Inventors: **John A. Ciminski**, Apache Junction, AZ (US); **Verl E. Miller**, LaGrande, OR (US); **James Hawthorne**, Van Couver, WA (US); **Jeffrey P. Baldwin**, Phoenix, AZ (US)

(73) Assignee: **MCR Strength Inc.**, Phoenix, AZ (US)

(**) Term: **14 Years**

(21) Appl. No.: **29/417,805**

(22) Filed: **Apr. 9, 2012**

(51) **LOC (9) Cl.** **21-02**

(52) **U.S. Cl.**
USPC **D21/694**; D21/681

(58) **Field of Classification Search**
USPC D21/662, 675, 676, 679, 680, 681, 682, D21/683, 694; 482/72, 93, 94, 97-102, 104, 482/106-108; D8/330, 396

See application file for complete search history.

(56) **References Cited**

U.S. PATENT DOCUMENTS

2,796,269	A *	6/1957	Watson	482/107
3,305,234	A *	2/1967	Cline et al.	482/107
3,726,522	A *	4/1973	Silberman	482/107
D280,433	S *	9/1985	Lincir	D21/694
4,569,105	A *	2/1986	Weider	482/107
D287,387	S *	12/1986	Oliver et al.	D21/694
4,646,398	A *	3/1987	Myhrman	482/107
4,773,641	A *	9/1988	Metz	482/107
4,817,944	A *	4/1989	Anderson et al.	482/107

4,893,810	A *	1/1990	Lee	482/107
5,163,887	A *	11/1992	Hatch	482/107
5,295,933	A *	3/1994	Ciminski et al.	482/107
5,346,449	A *	9/1994	Schlagel	482/107
5,591,109	A *	1/1997	Strnad	482/107
D384,710	S *	10/1997	Pahel	D21/694
6,007,268	A *	12/1999	Whittington et al.	403/328
D433,468	S *	11/2000	Rojas et al.	D21/680
D437,015	S *	1/2001	Rojas et al.	D21/681
6,551,042	B1 *	4/2003	Grant et al.	411/517
D486,536	S *	2/2004	Patti	D21/681
6,887,189	B2 *	5/2005	Schiff	482/107
7,111,359	B1 *	9/2006	Luca	16/66
7,494,451	B1 *	2/2009	Ramos	482/107
D590,458	S *	4/2009	Johnson et al.	D21/694
8,096,927	B2 *	1/2012	Hamilton	482/107
2011/0162173	A1 *	7/2011	Ciminski et al.	24/303

* cited by examiner

Primary Examiner — Susan E Krakower

(74) *Attorney, Agent, or Firm* — Booth Udall Fuller, PLC

(57) **CLAIM**

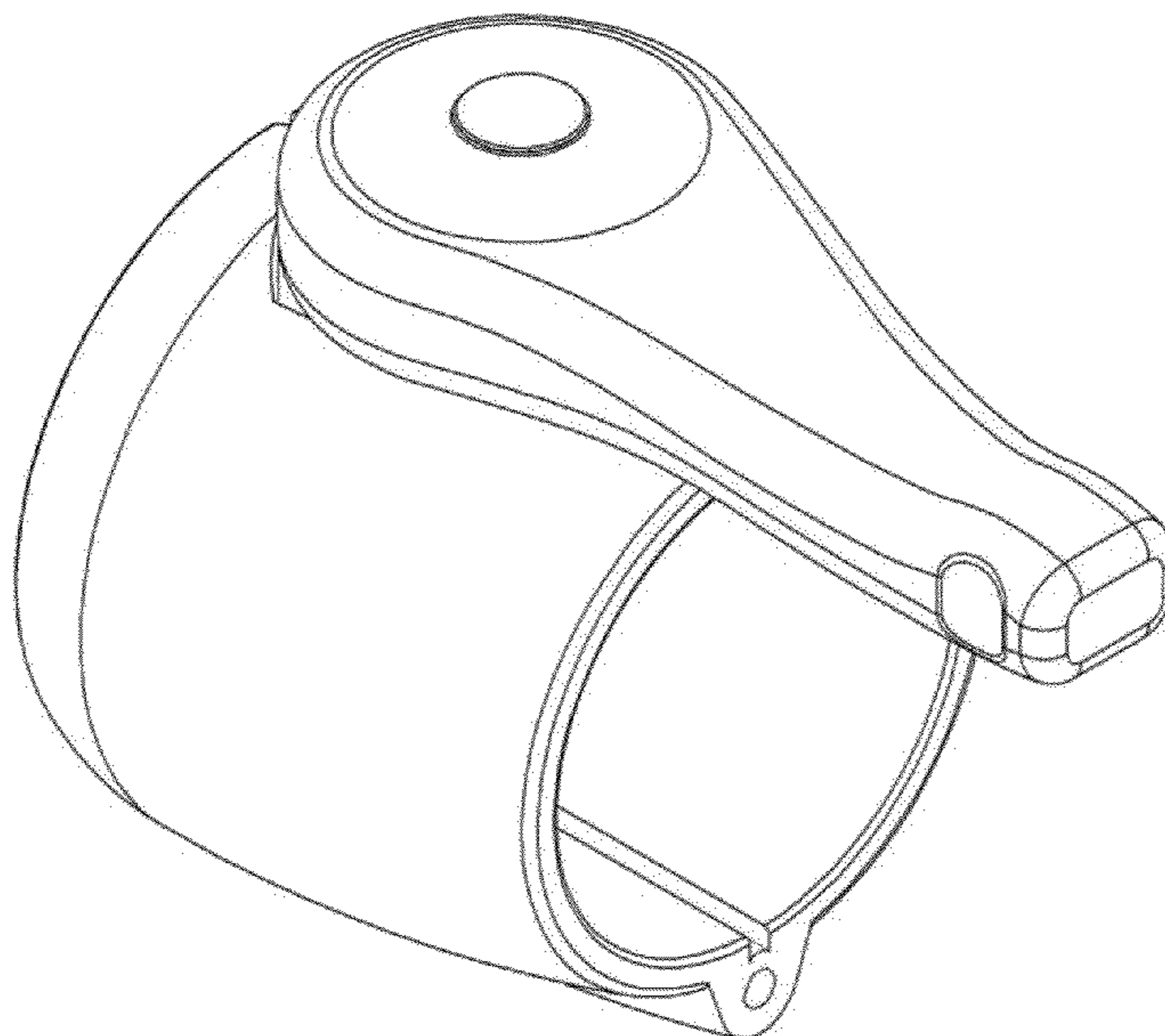
The ornamental design for a weight collar for a weight lifting bar, as shown and described.

DESCRIPTION

FIG. 1 is front view of a weight collar for a weight lifting bar; FIG. 2 is a perspective view thereof; FIG. 3 is a left side thereof; FIG. 4 is a right side view thereof; FIG. 5 is a bottom view thereof; and, FIG. 6 is a top view thereof.

The broken lines in FIG. 4 illustrate environmental structure and form no part of the claimed design.

1 Claim, 6 Drawing Sheets



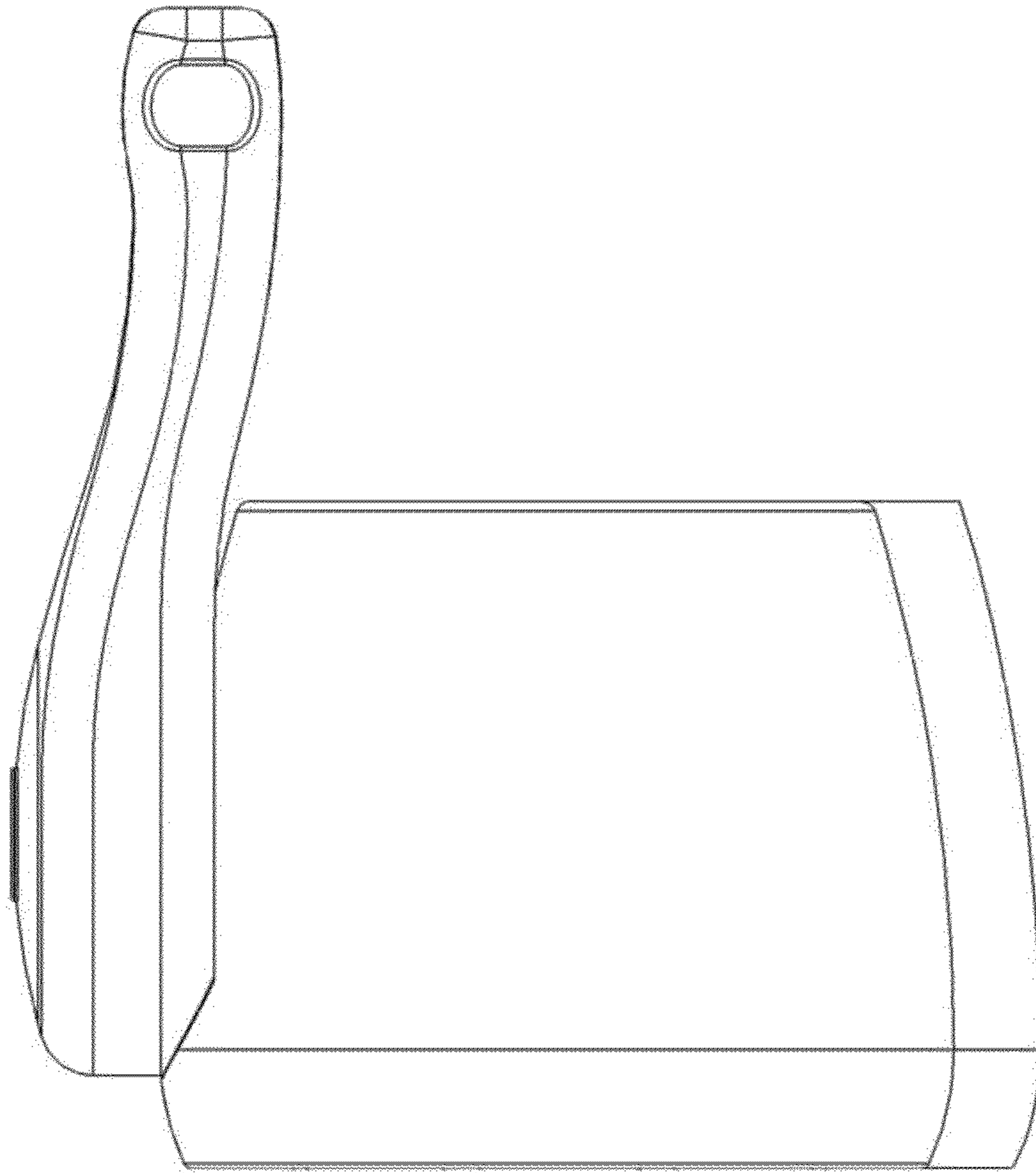


FIG. 1

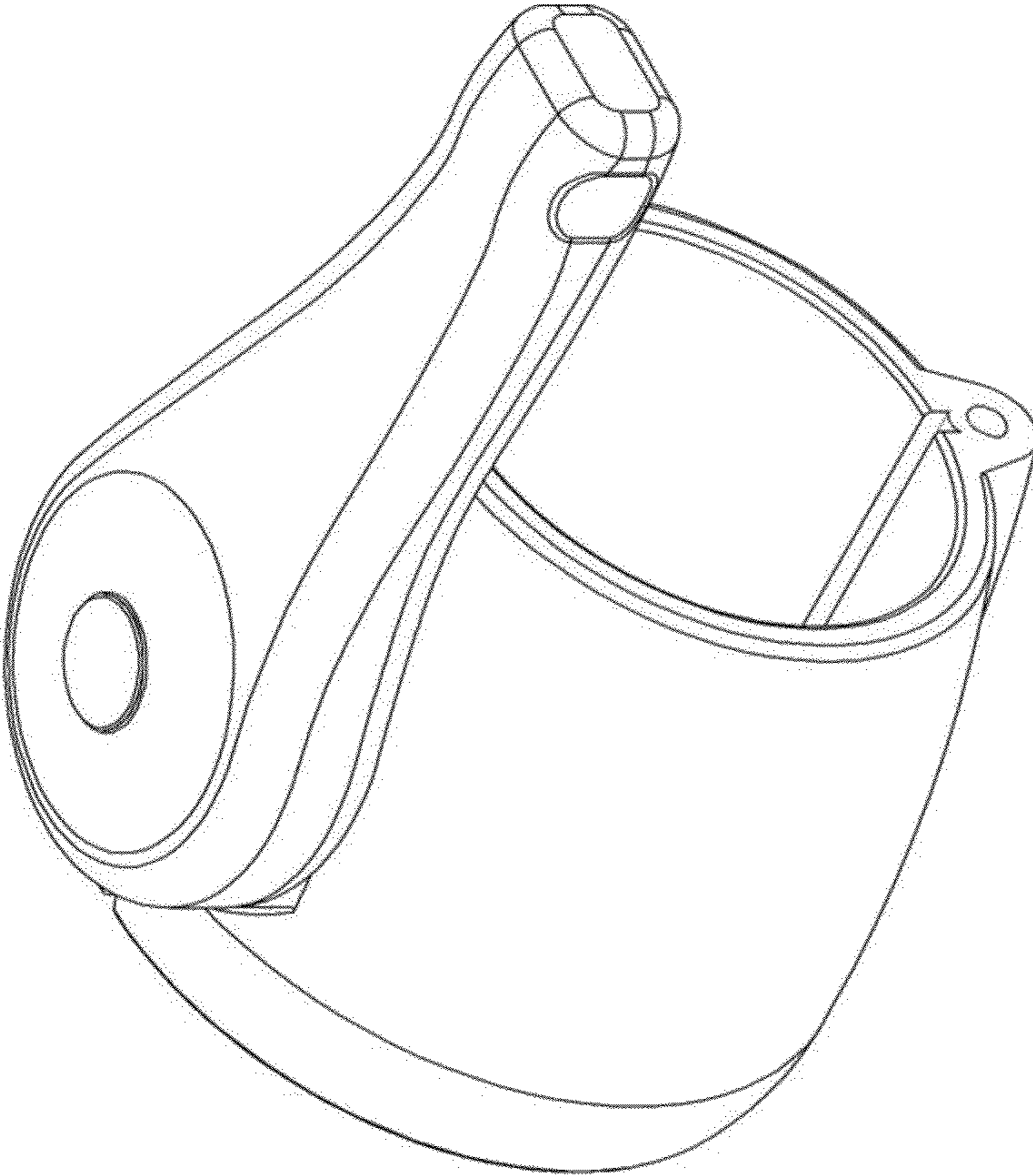


FIG. 2

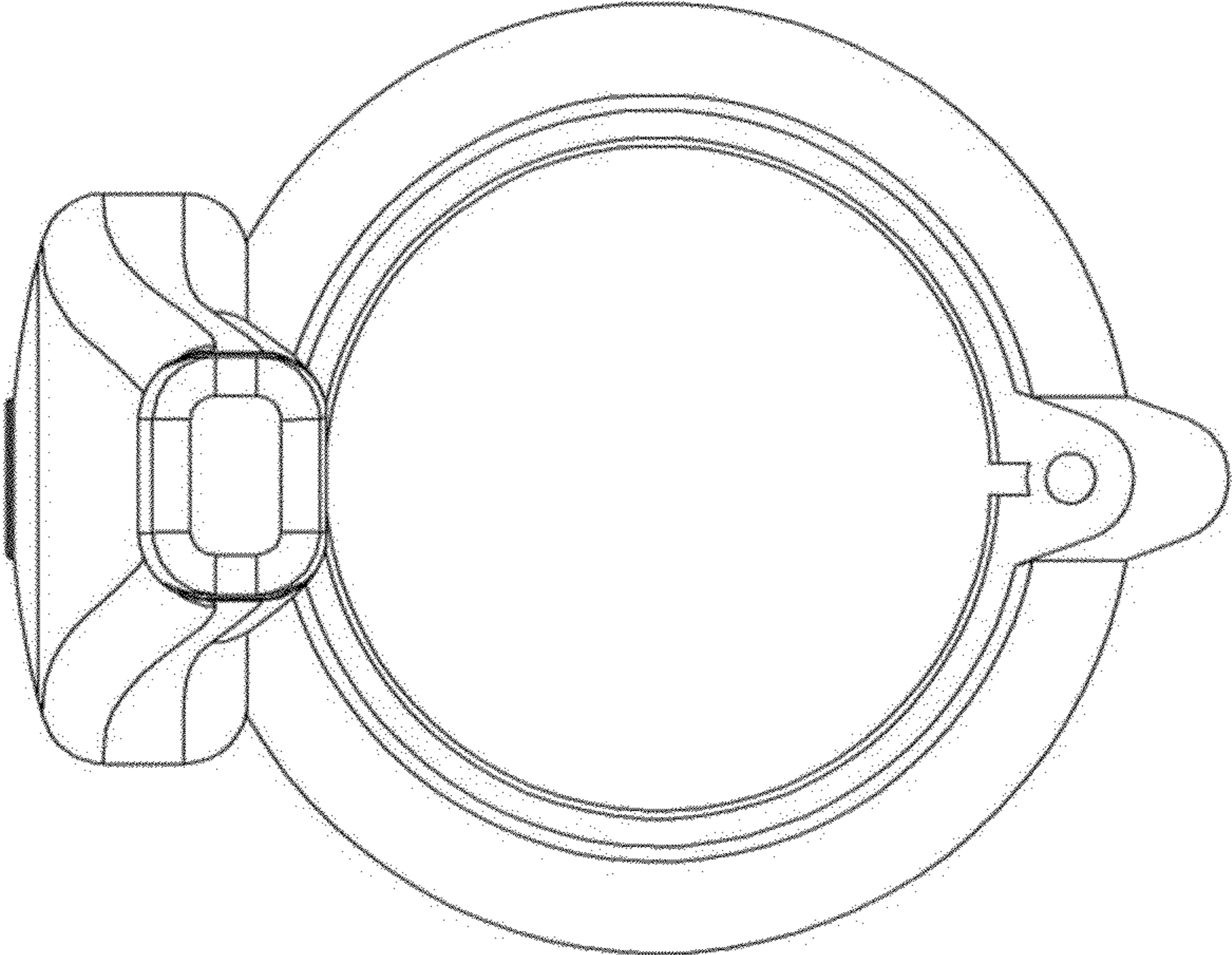


FIG. 3

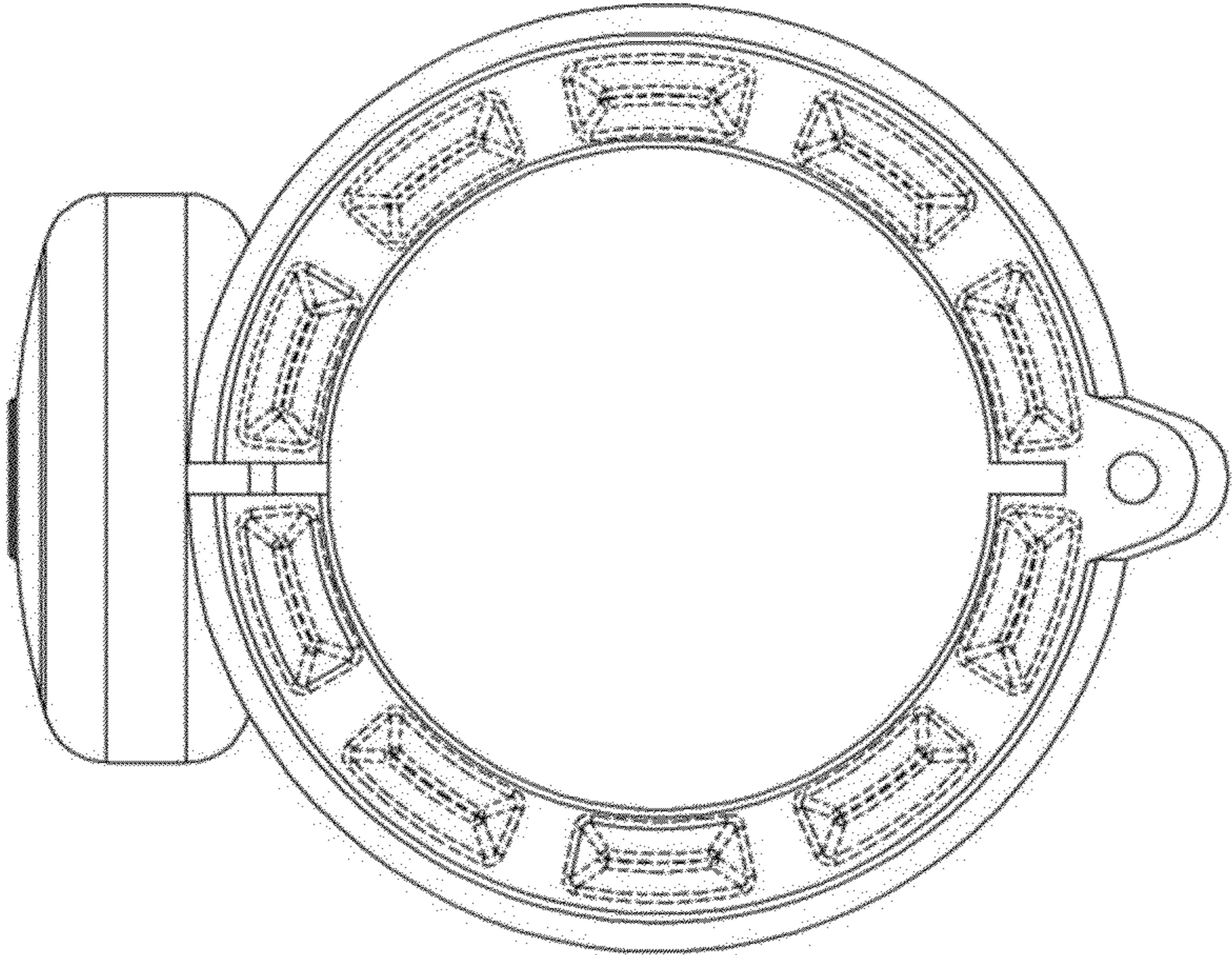


FIG. 4

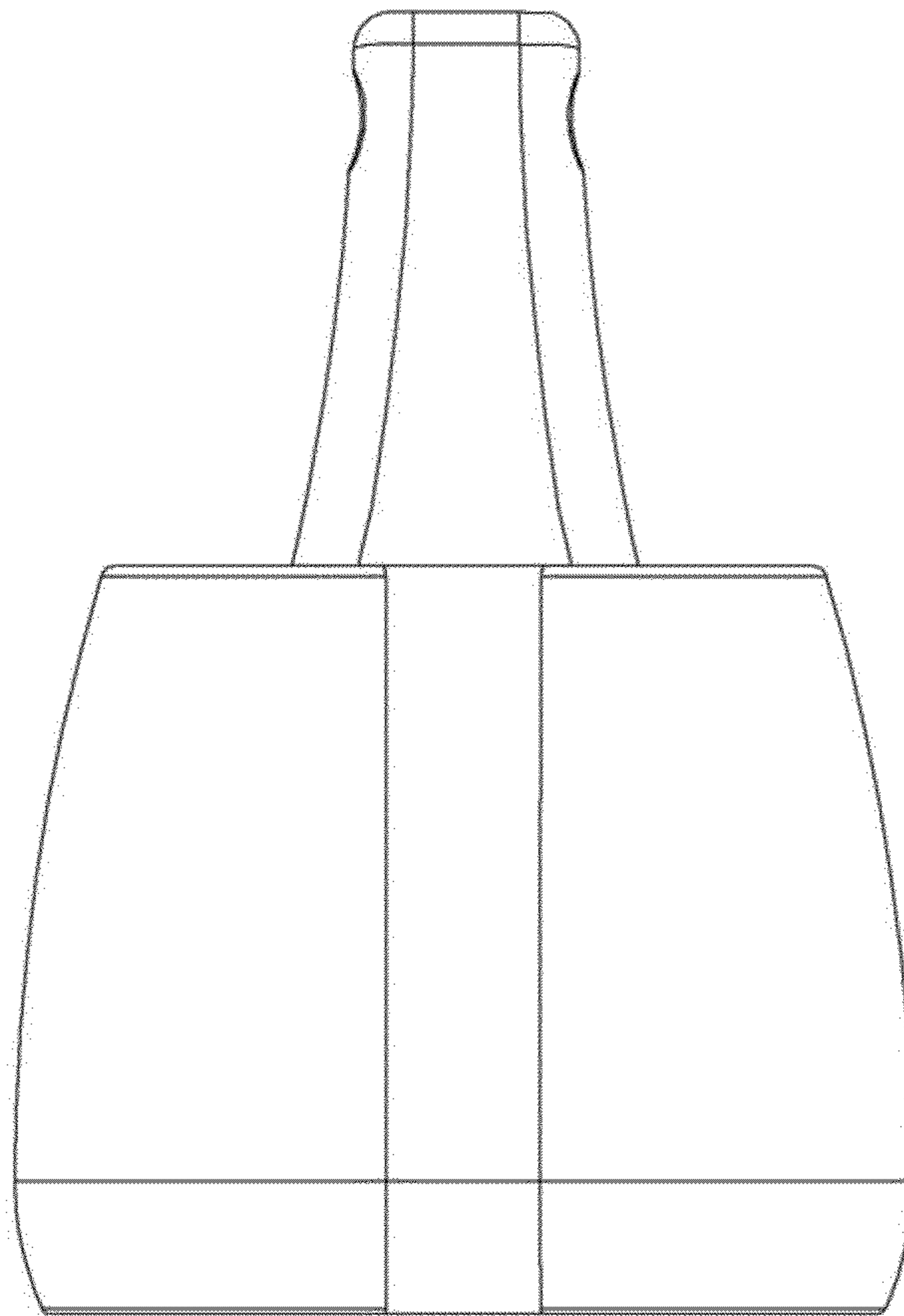


FIG. 5

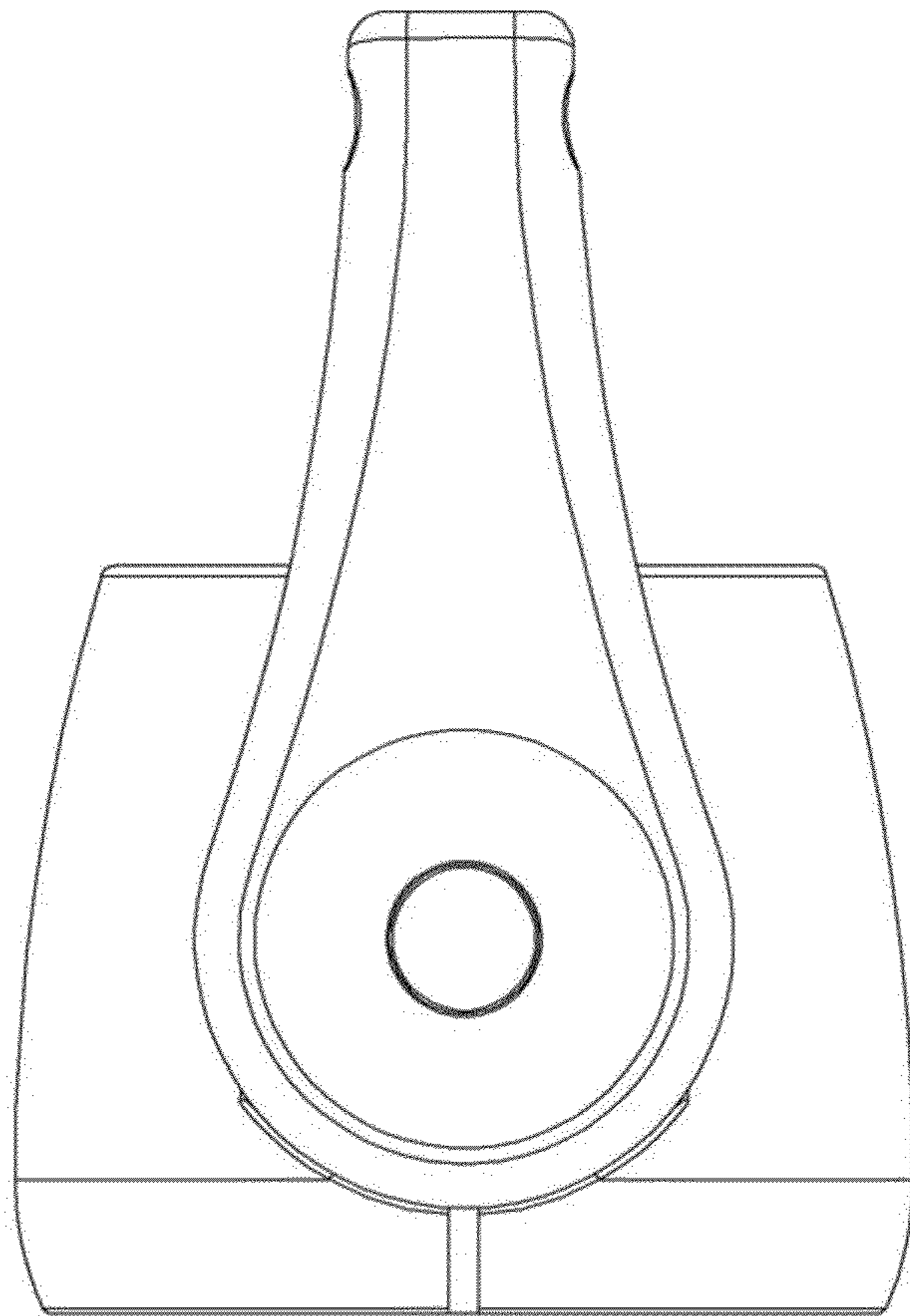


FIG. 6