

US00D694839S

(12) **United States Design Patent**
Gettings et al.

(10) **Patent No.:** **US D694,839 S**

(45) **Date of Patent:** **** Dec. 3, 2013**

(54) **WHEEL, ARM AND PULLEY COVER**

(56) **References Cited**

(75) Inventors: **Adam M. Gettings**, Palo Alto, CA (US);
Steven J. Shiozaki, Belmont, CA (US)

U.S. PATENT DOCUMENTS

(73) Assignee: **RoboteX Inc.**, Palo Alto, CA (US)

D401,204	S	*	11/1998	Al-Sabah	D12/204
D471,243	S	*	3/2003	Cioffi et al.	D21/578
D476,937	S	*	7/2003	Brintouch	D12/204
D528,491	S	*	9/2006	Wang Hsiao	D12/204
D541,201	S	*	4/2007	Bowden et al.	D12/204
D545,721	S	*	7/2007	Hacker et al.	D12/1
D561,796	S	*	2/2008	Mitchell	D15/199
D626,577	S	*	11/2010	Carlson et al.	D15/199
D639,351	S	*	6/2011	Newmayer et al.	D21/533
2005/0162117	A1	*	7/2005	Iribe et al.	318/568.12

(**) Term: **14 Years**

(21) Appl. No.: **29/415,433**

(22) Filed: **Mar. 9, 2012**

* cited by examiner

Related U.S. Application Data

(63) Continuation of application No. 29/387,224, filed on
Mar. 10, 2011, now Pat. No. Des. 657,829.

Primary Examiner — Zenia Bennett

(74) *Attorney, Agent, or Firm* — Levine Bagade Han LLP

(51) **LOC (9) Cl.** **21-01**

(57) **CLAIM**

The ornamental design for a wheel, arm and pulley cover, as
shown and described.

(52) **U.S. Cl.**

USPC **D21/578**; D15/199

DESCRIPTION

(58) **Field of Classification Search**

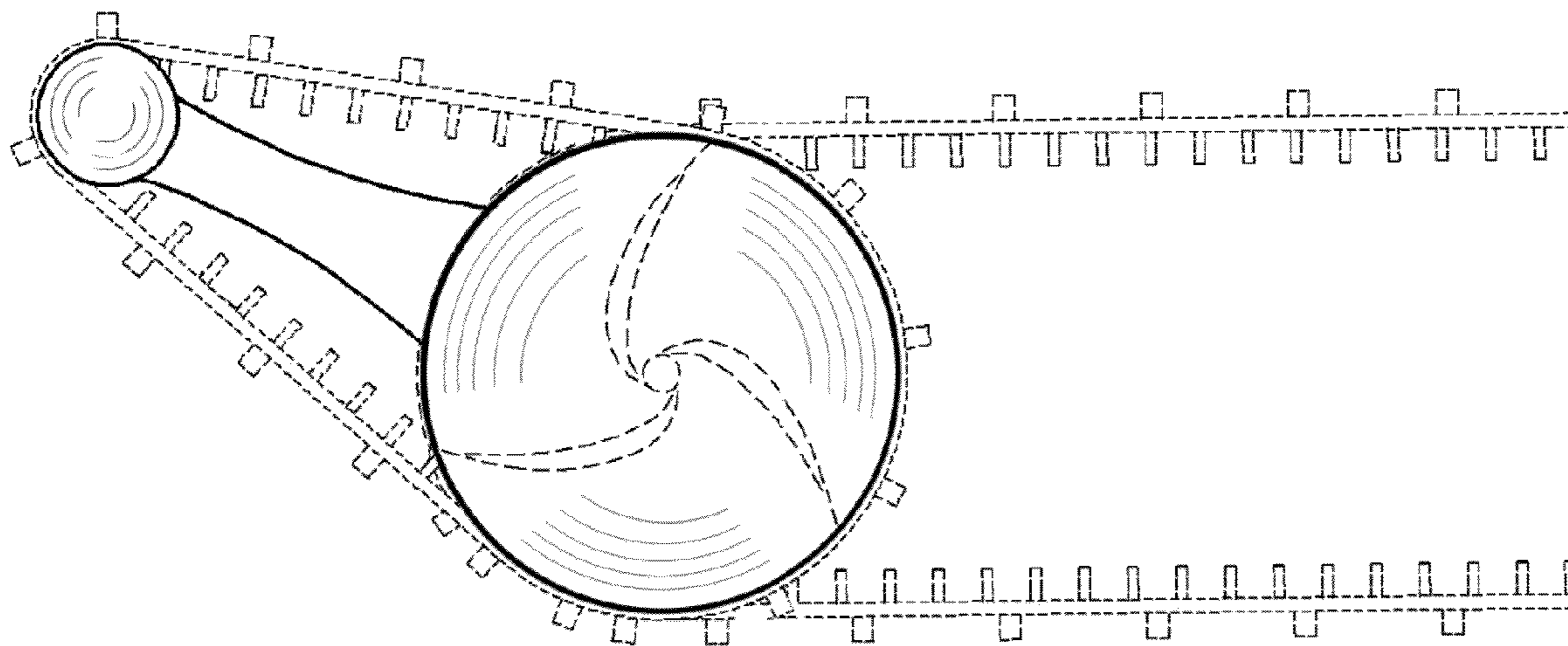
USPC D21/578–583, 621, 622; 446/268–274,
446/279, 280, 285, 289–292, 294, 297–303,
446/353–355, 376–384; D15/199;
318/568.11, 568.12, 568.2

FIG. 1 is a front view of a wheel, arm and pulley cover;
FIG. 2 is an angled side perspective view thereof
FIG. 3 is an angled top perspective view thereof;
FIG. 4 is an angled bottom perspective view thereof;
FIG. 5 is a top perspective view thereof; and,
FIG. 6 is a side elevation view thereof.

All features illustrated in phantom line are expressly dis-
claimed and form no part of the claimed design.

See application file for complete search history.

1 Claim, 6 Drawing Sheets



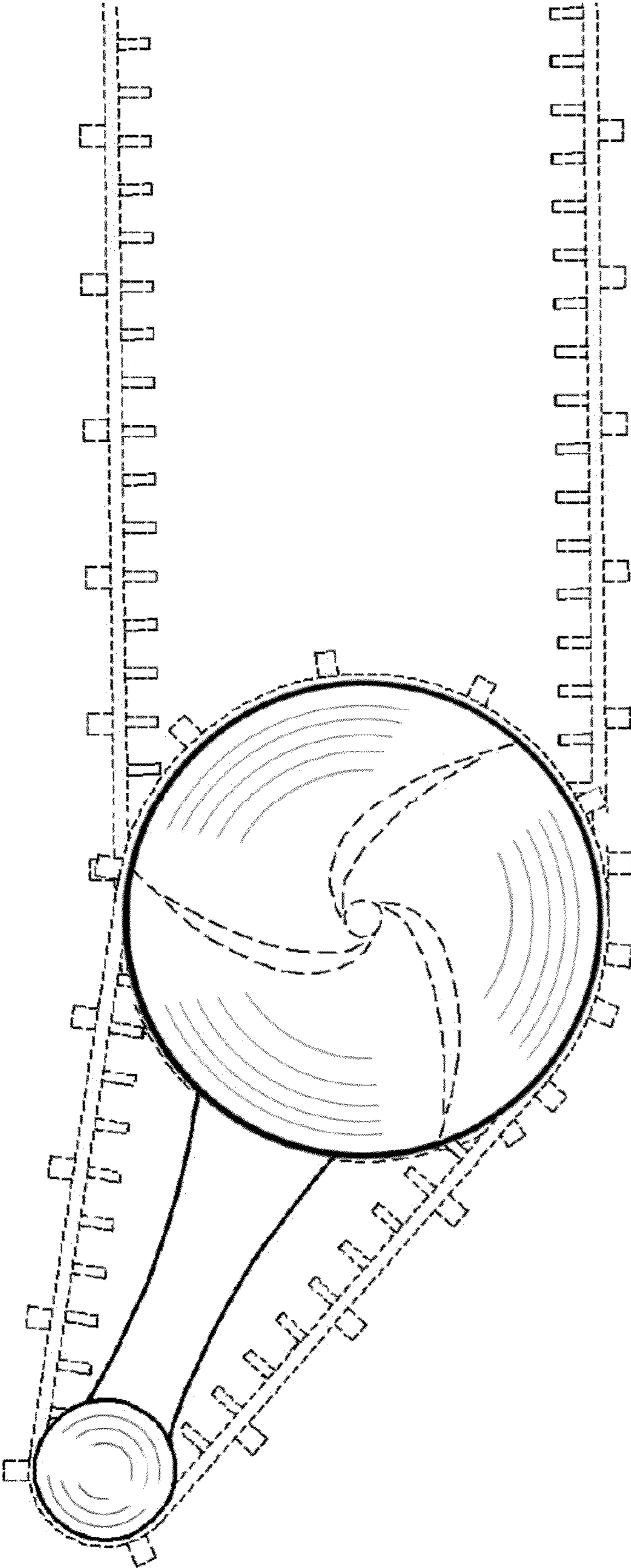


Fig. 1

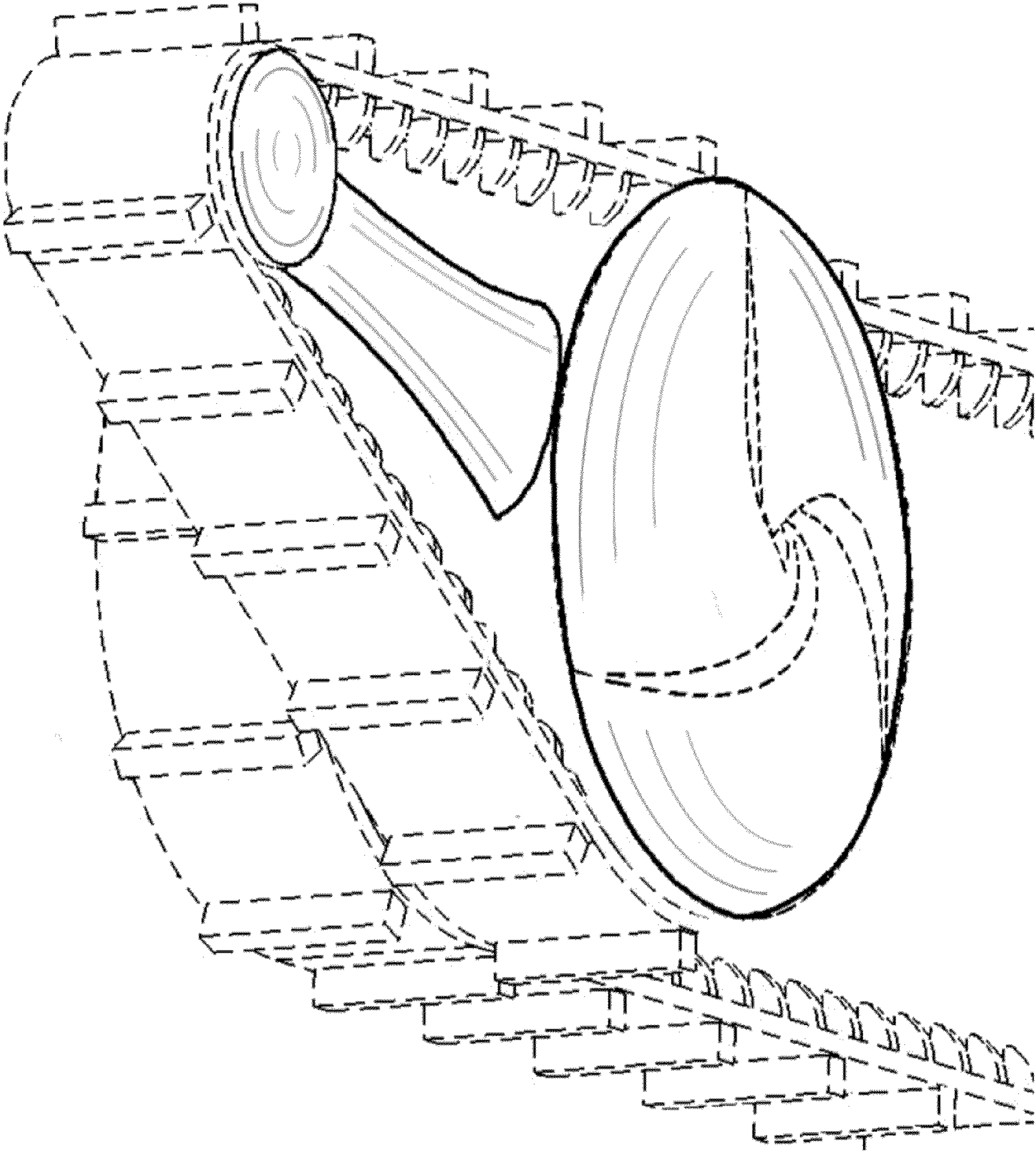


Fig. 2

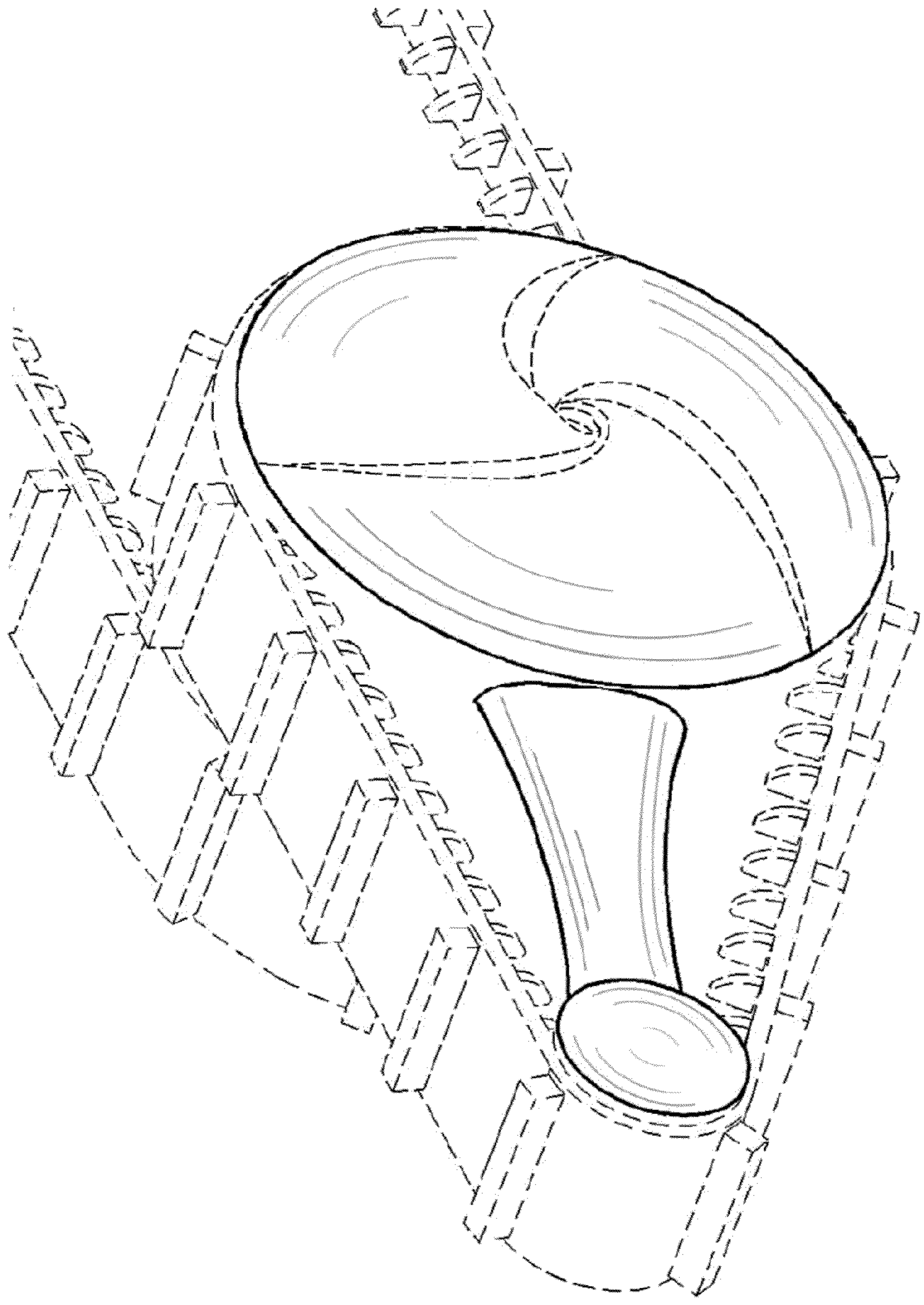


Fig. 3

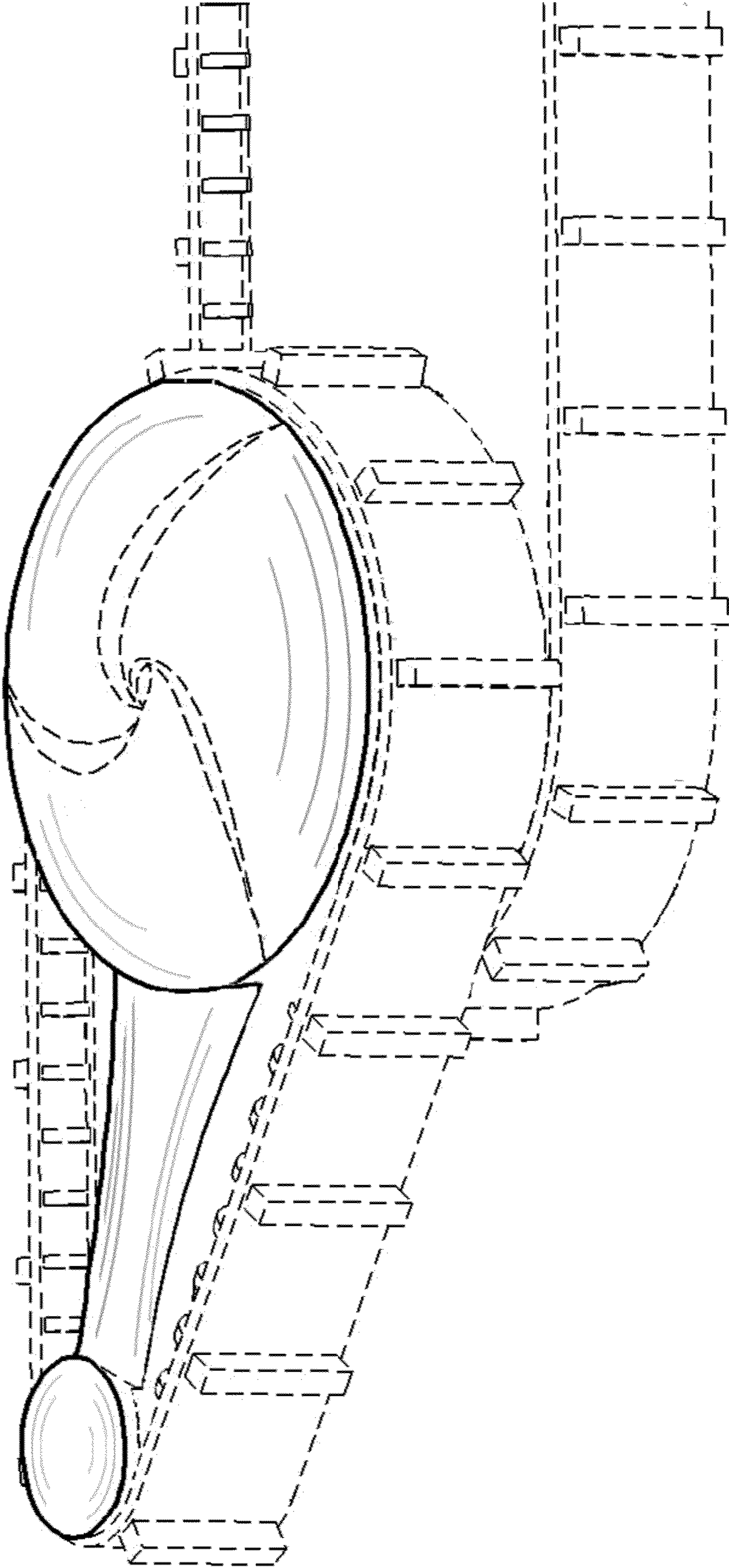


Fig. 4

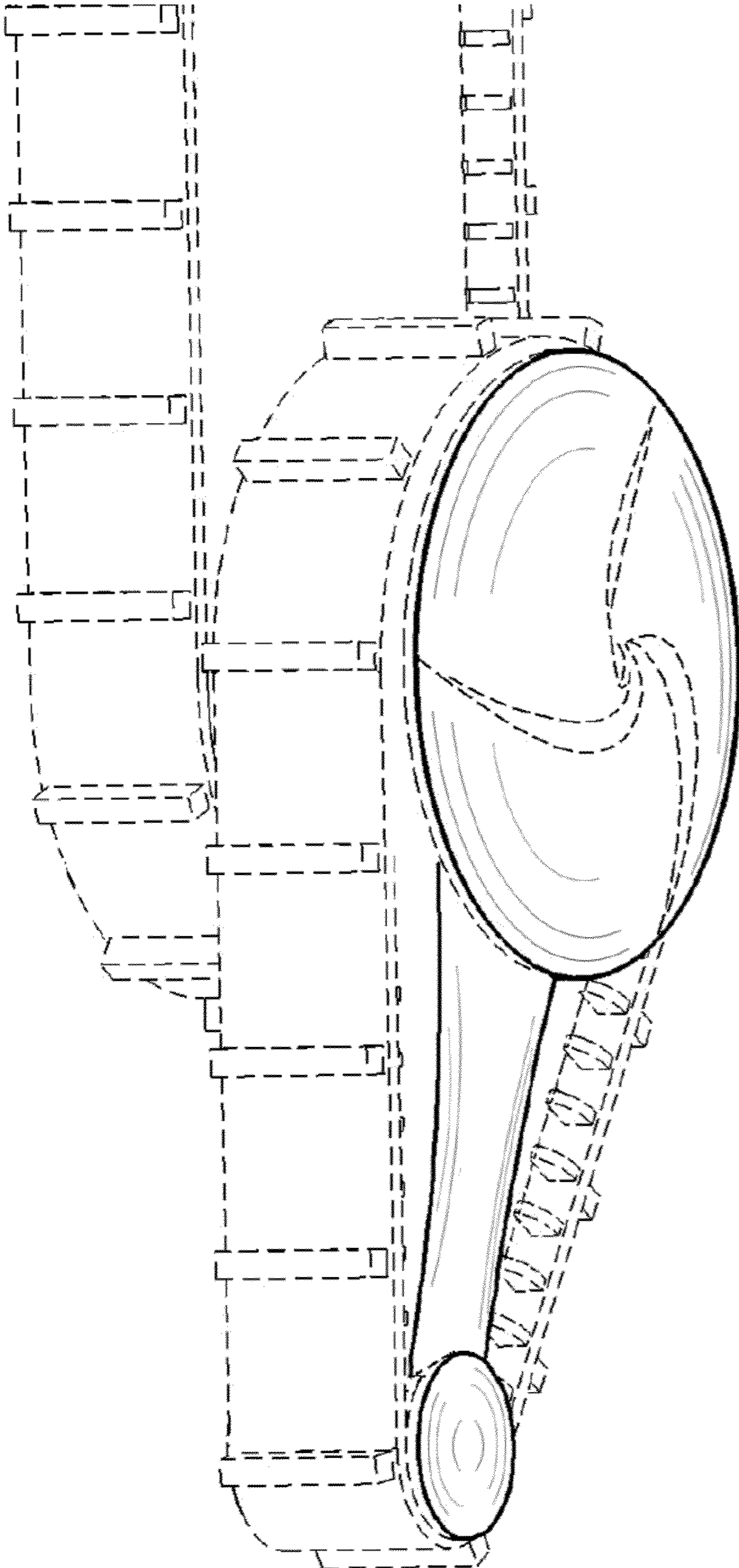


Fig. 5

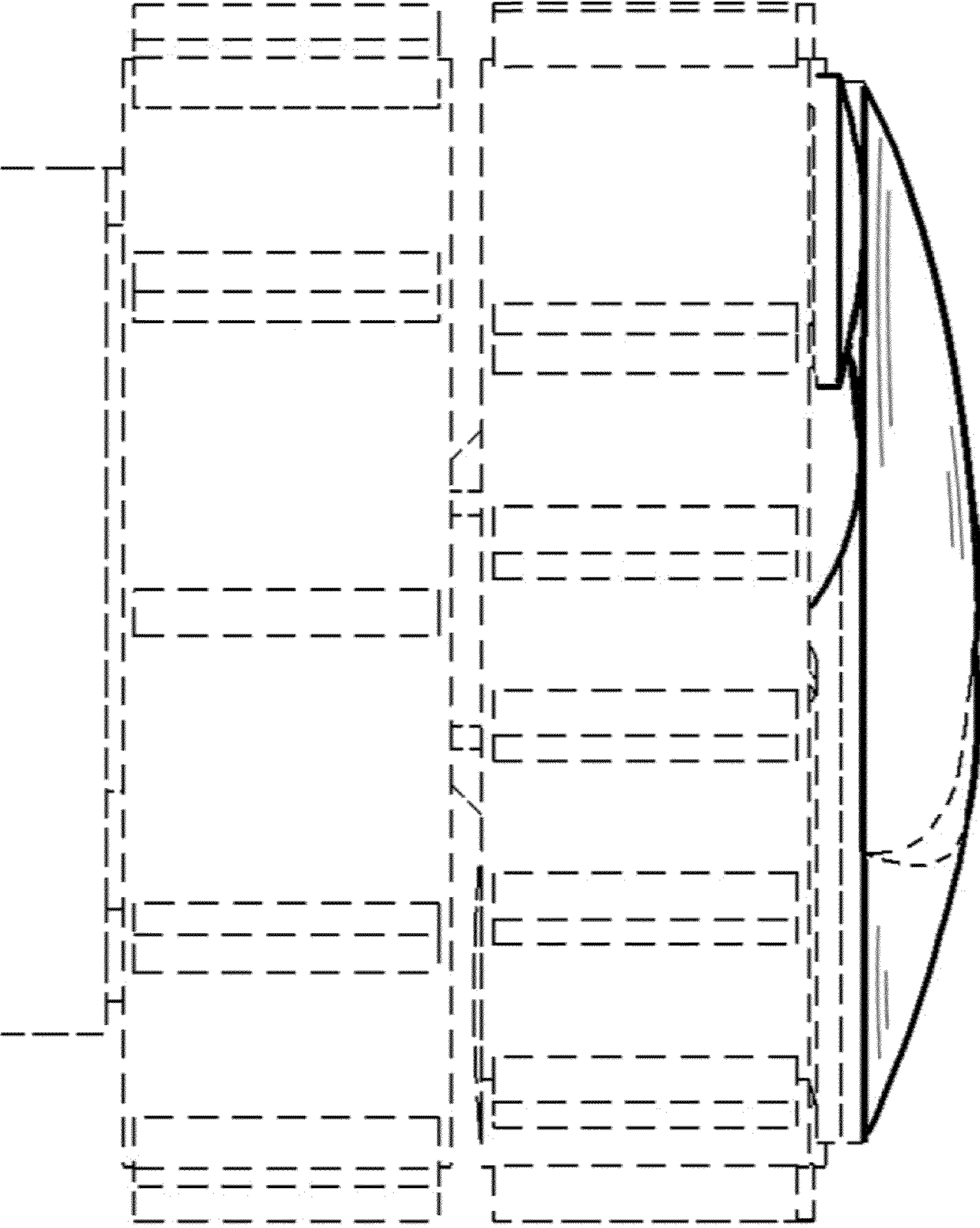


Fig. 6