

US00D694829S

(12) **United States Design Patent**  
**Ashida et al.**

(10) **Patent No.:** **US D694,829 S**  
(45) **Date of Patent:** **\*\* Dec. 3, 2013**

(54) **LOWER HOUSING OF CONTROLLER FOR ELECTRONIC COMPUTER**

(75) Inventors: **Kenichiro Ashida**, Kyoto (JP); **Masato Ibuki**, Kyoto (JP); **Shinji Yamamoto**, Kyoto (JP); **Fumiyoshi Suetake**, Kyoto (JP); **Akiko Suga**, Kyoto (JP); **Naoya Yamamoto**, Kyoto (JP); **Hitoshi Tsuchiya**, Kyoto (JP); **Junji Takamoto**, Kyoto (JP); **Daisuke Kumazaki**, Kyoto (JP); **Yositomo Gotou**, Kyoto (JP); **Takanori Okamura**, Kyoto (JP); **Masahiko Nishimura**, Kyoto (JP)

(73) Assignee: **Nintendo Co., Ltd.**, Kyoto (JP)

(\*\*) Term: **14 Years**

(21) Appl. No.: **29/407,814**

(22) Filed: **Dec. 2, 2011**

(30) **Foreign Application Priority Data**

Jun. 3, 2011 (JP) ..... 2011-012717  
Nov. 30, 2011 (JP) ..... 2011-027846

(51) **LOC (9) Cl.** ..... **21-01**

(52) **U.S. Cl.**  
USPC ..... **D21/333**

(58) **Field of Classification Search**  
USPC ..... D21/324, 329, 330, 333; D14/496, 125;  
273/148 B; 463/1, 2, 29-36, 45, 47;  
345/156, 173, 867, 903; 361/679, 681,  
361/672, 500  
See application file for complete search history.

(56) **References Cited**

**U.S. PATENT DOCUMENTS**

4,969,647 A \* 11/1990 Mical et al. .... 463/31  
D320,624 S \* 10/1991 Taylor ..... D21/331  
D325,225 S 4/1992 Adhida

D350,782 S 9/1994 Barr  
D360,903 S 8/1995 Barr et al.  
5,769,719 A \* 6/1998 Hsu ..... 463/37  
6,042,478 A \* 3/2000 Ng ..... 463/44  
D487,466 S 3/2004 Yokota  
D522,011 S 5/2006 Hayes et al.  
7,193,165 B2 \* 3/2007 Kawanobe et al. .... 200/5 R  
D542,855 S \* 5/2007 Lim ..... D21/333  
D554,194 S 10/2007 Ehara et al.  
D568,883 S 5/2008 Ashida et al.

(Continued)

**OTHER PUBLICATIONS**

Design U.S. Appl. No. 29/407,699, filed Dec. 1, 2011 (pending).

*Primary Examiner* — Prabhakar Deshmukh

(74) *Attorney, Agent, or Firm* — Nixon & Vanderhye, P.C.

(57) **CLAIM**

The ornamental design for a lower housing of controller for electronic computer, as shown and described.

**DESCRIPTION**

FIG. 1 is front, right and bottom perspective view of a lower housing of controller for electronic computer showing our new design;

FIG. 2 is rear, left and top perspective view thereof;

FIG. 3 is a front view thereof;

FIG. 4 is a rear view thereof;

FIG. 5 is a top plan view thereof;

FIG. 6 is a bottom plan view thereof;

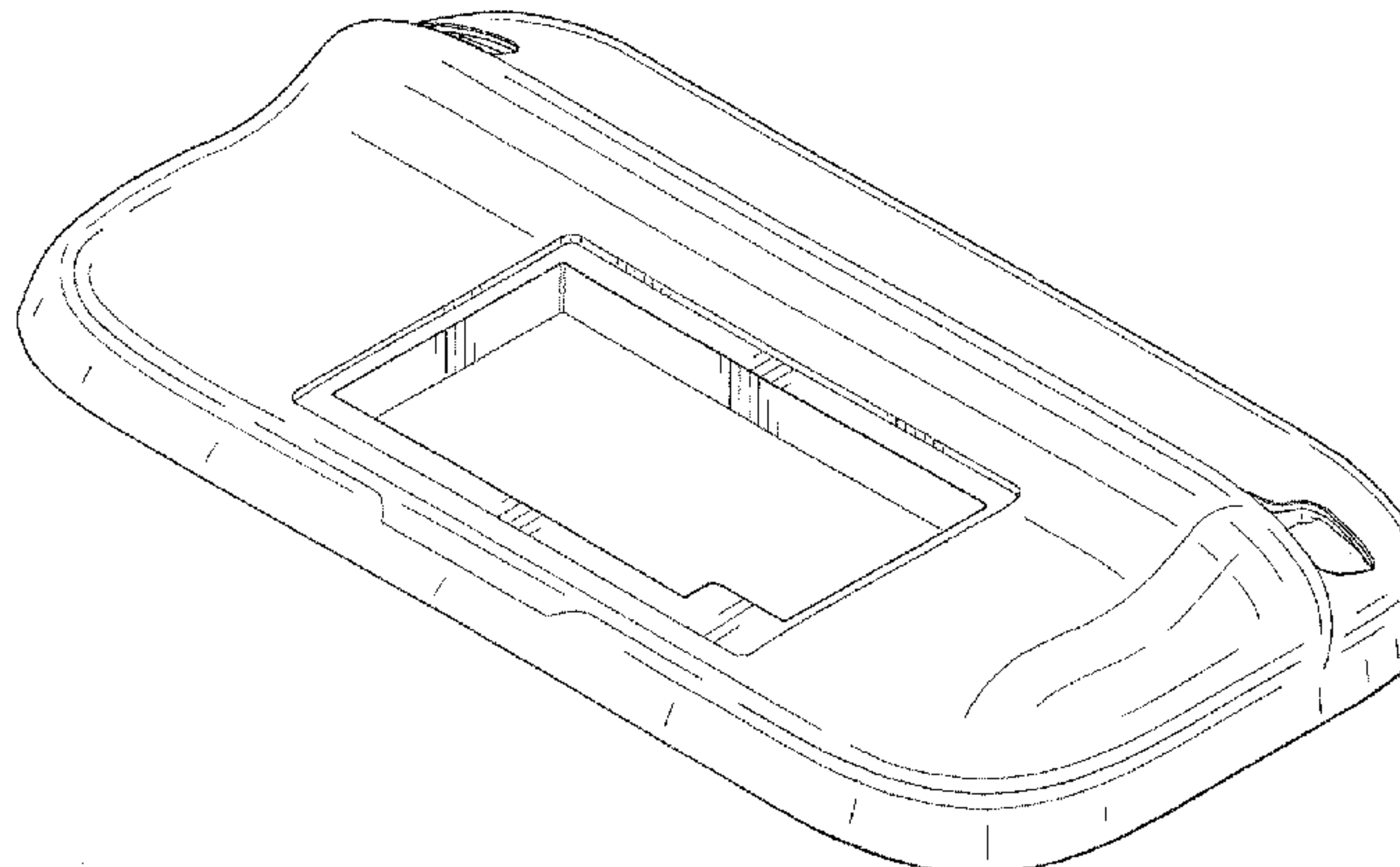
FIG. 7 is a left side view thereof;

FIG. 8 is a right side view thereof;

FIG. 9 is a first reference perspective view showing a state that the lower housing of controller for electronic computer forms a controller housing with an upper housing of controller for electronic computer which being shown by dotted lines; and,

FIG. 10 is a second reference perspective view showing the state the upper housing of controller for electronic computer forms a controller housing with a lower housing of controller for electronic computer which being shown by dotted lines.

**1 Claim, 4 Drawing Sheets**



# US D694,829 S

Page 2

---

(56)

## References Cited

### U.S. PATENT DOCUMENTS

D570,349 S	6/2008	Ashida et al.			
D607,946 S	1/2010	Ehara et al.			
D620,939 S	8/2010	Suetake et al.			
D632,341 S *	2/2011	Lim et al. ....	D21/333	* cited by examiner	
					D641,049 S * 7/2011 Ehara et al. .... D21/330
					D643,476 S * 8/2011 Ehara et al. .... D21/333
					D650,447 S 12/2011 Ehara et al.
					8,105,169 B2 * 1/2012 Ogasawara et al. .... 463/46
					D655,349 S 3/2012 Ehara et al.

FIG. 1

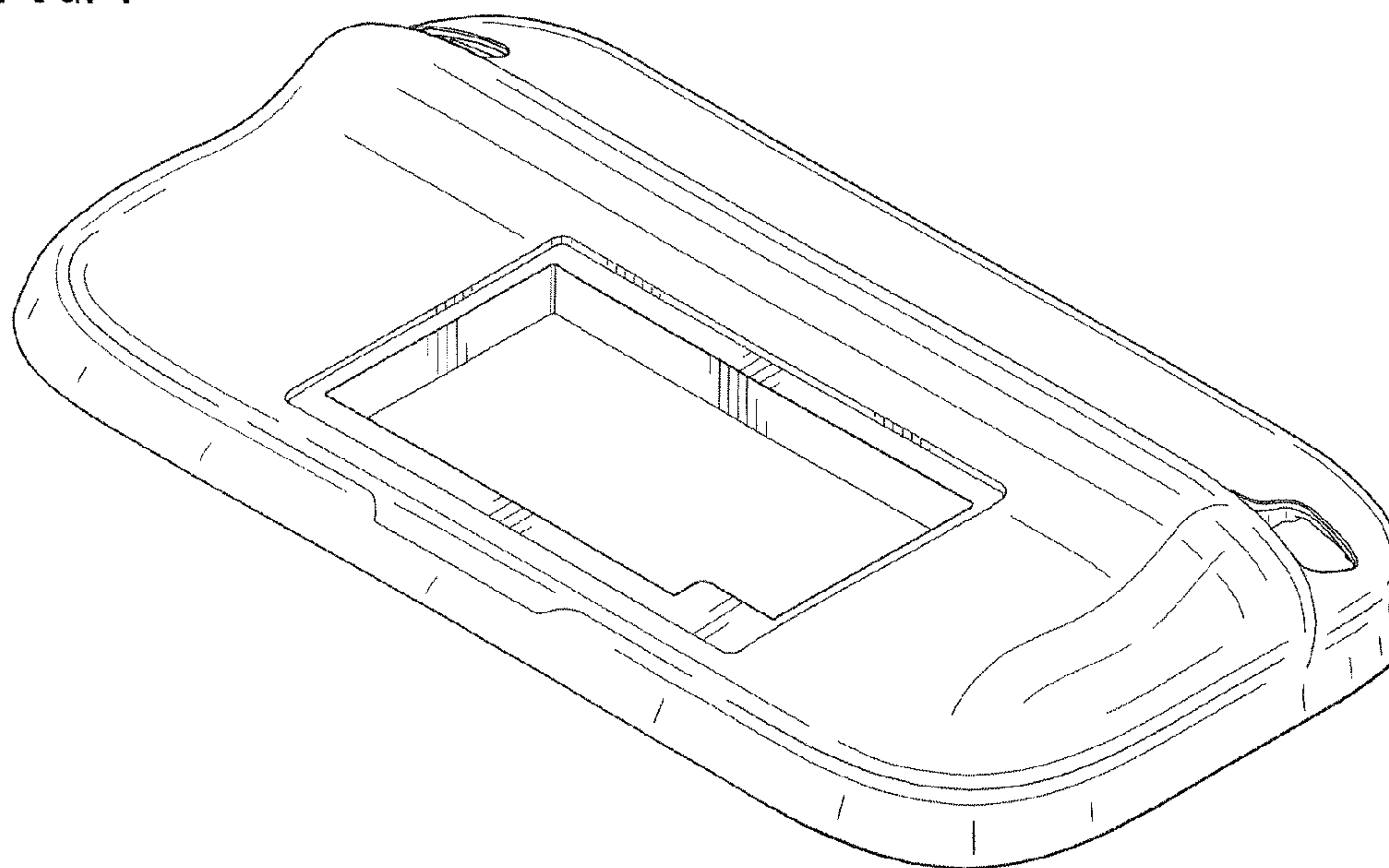


FIG. 2

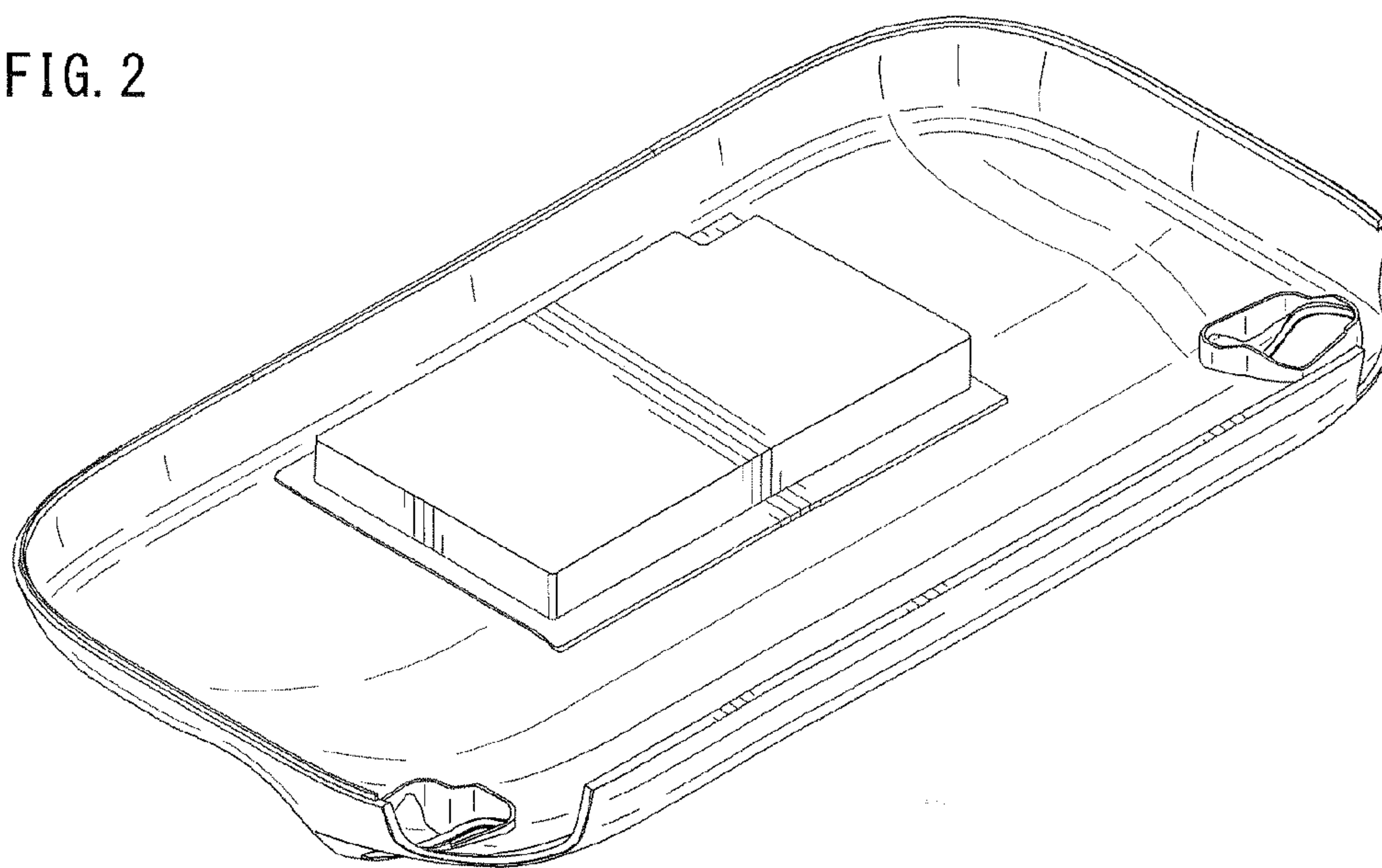


FIG. 3

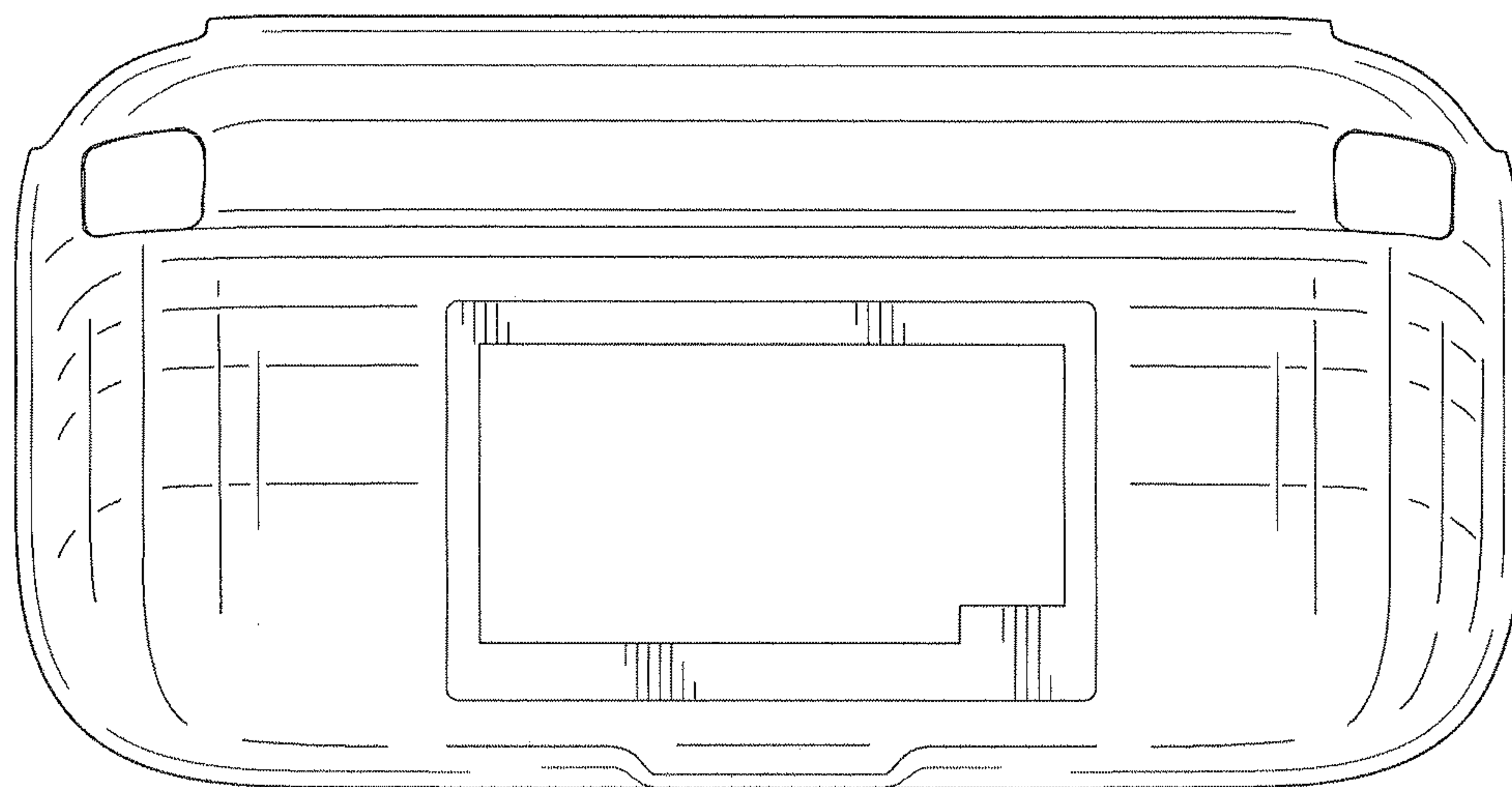


FIG. 4

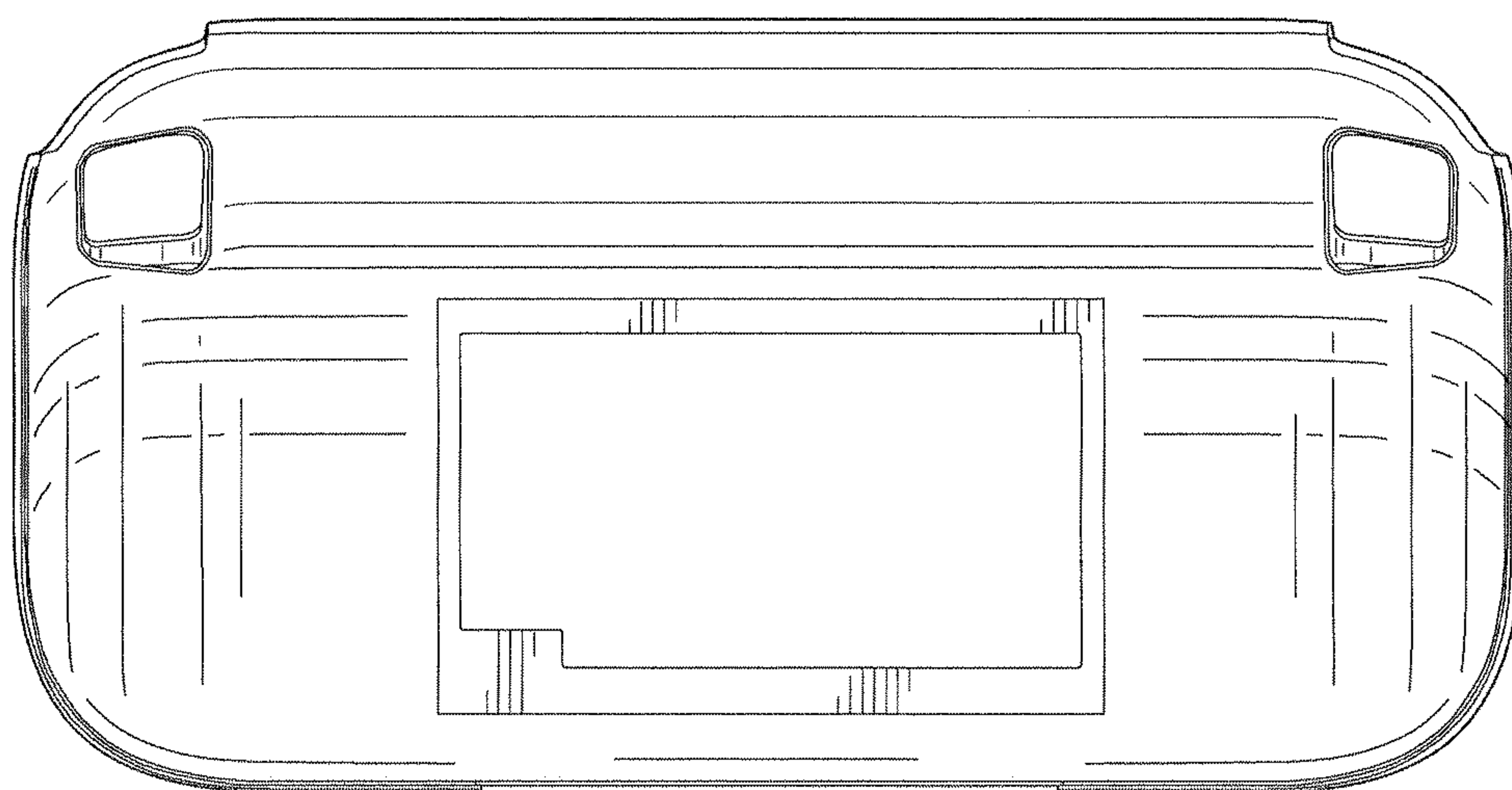




FIG. 5

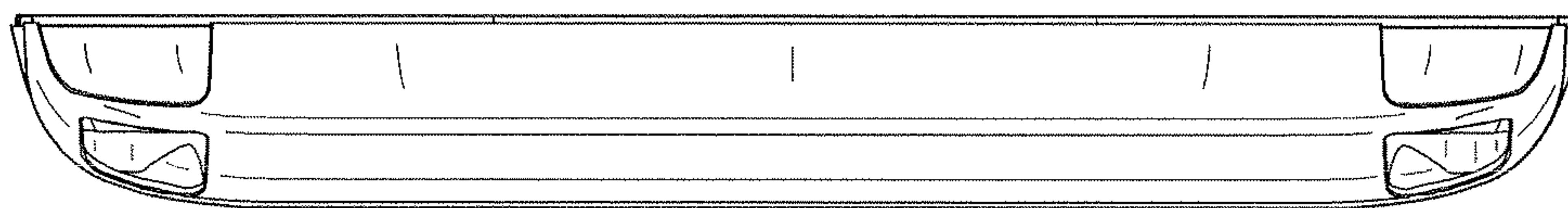


FIG. 6

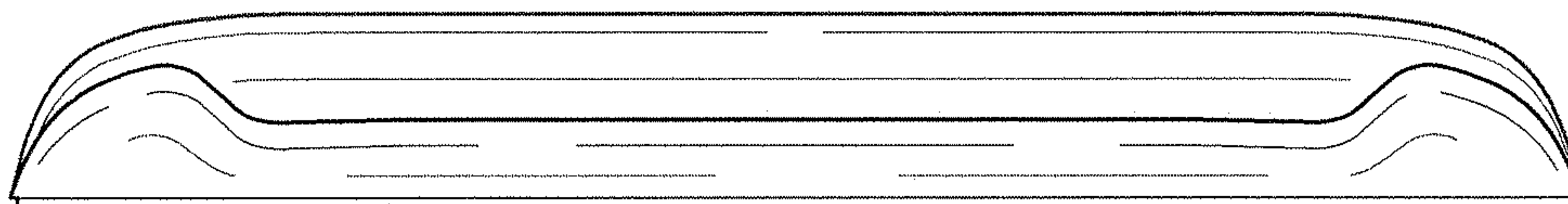


FIG. 7

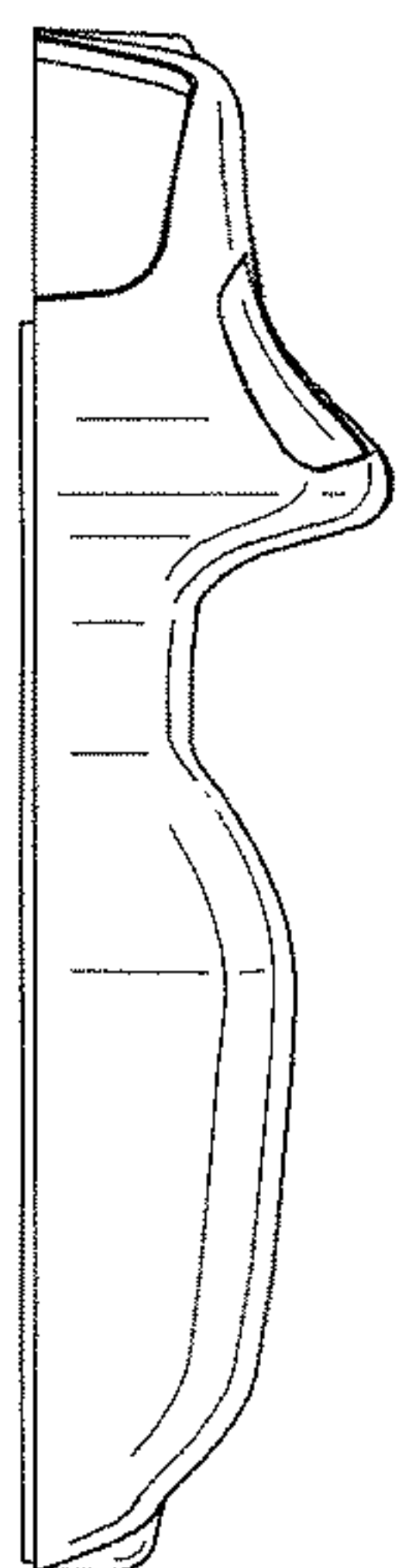


FIG. 8

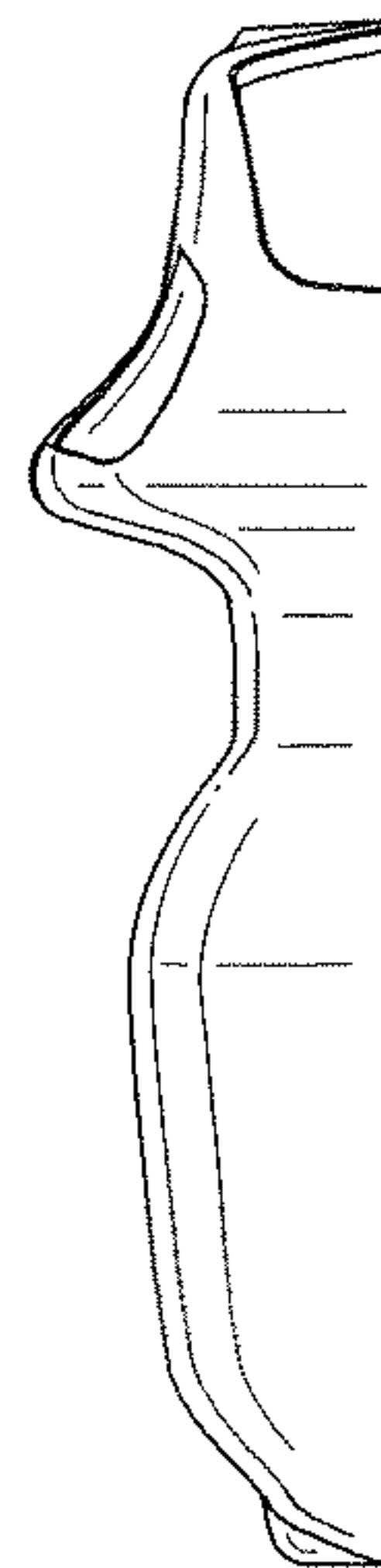


FIG. 9

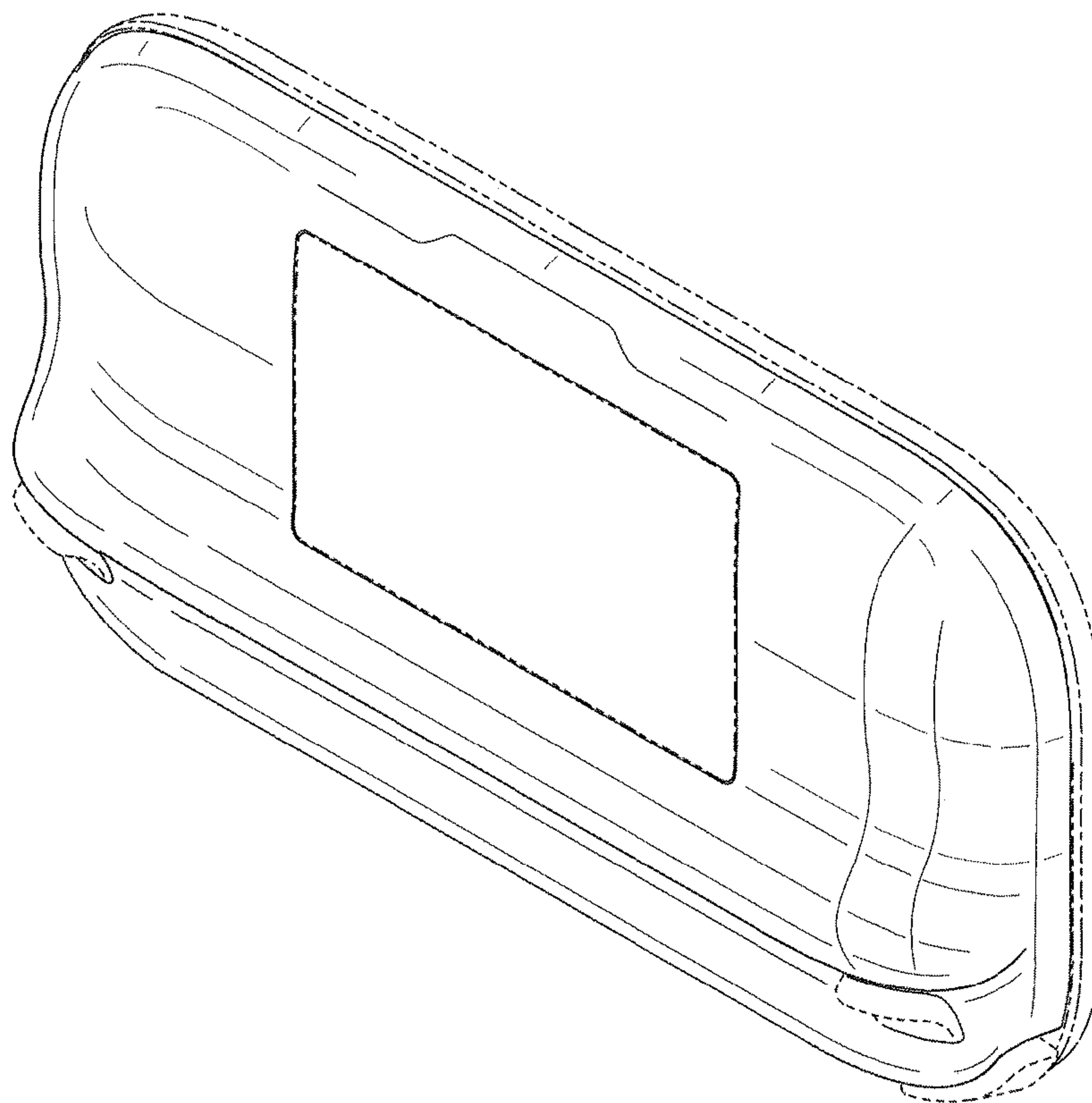


FIG. 10

