



US00D694828S

(12) **United States Design Patent**  
**Ricci et al.**

(10) **Patent No.:** **US D694,828 S**

(45) **Date of Patent:** **\*\* Dec. 3, 2013**

(54) **SIGN FOR A SHELF**

(71) Applicant: **Dana Industries Inc.**, Etobicoke (CA)

(72) Inventors: **John Ricci**, Kleinburg (CA); **Frank Borges**, Oakville (CA)

(73) Assignee: **Dana Industries Inc.**, Etobicoke (CA)

(\*\*) Term: **14 Years**

(21) Appl. No.: **29/433,286**

(22) Filed: **Sep. 27, 2012**

(30) **Foreign Application Priority Data**

Mar. 27, 2012 (CA) ..... 144996

(51) **LOC (9) Cl.** ..... **20-03**

(52) **U.S. Cl.**  
USPC ..... **D20/42**

(58) **Field of Classification Search**

USPC ..... D20/10, 19, 22, 23, 27, 29, 40-42, 99;  
40/124.01, 124.05, 124.08, 124.09,  
40/124.191, 299.01, 312, 446, 538, 539,  
40/541, 584, 605, 611.01, 611.1, 612, 615,  
40/617, 638, 642.02, 649, 650, 661.03;  
D10/109.1, 113.4; 283/56, 71, 81;  
362/812; 428/120

See application file for complete search history.

(56) **References Cited**

**U.S. PATENT DOCUMENTS**

D79,119 S	7/1929	Rau
2,130,945 A	9/1938	Brownell
2,297,888 A	10/1942	Heileman
2,720,044 A	10/1955	Montalto
2,838,860 A	6/1958	Finnerty
2,923,078 A	2/1960	Slavsky
3,077,686 A	2/1963	Montalto

(Continued)

*Primary Examiner* — Mary Ann Calabrese

(74) *Attorney, Agent, or Firm* — Santosh K. Chari; Blake, Cassels & Graydon LLP

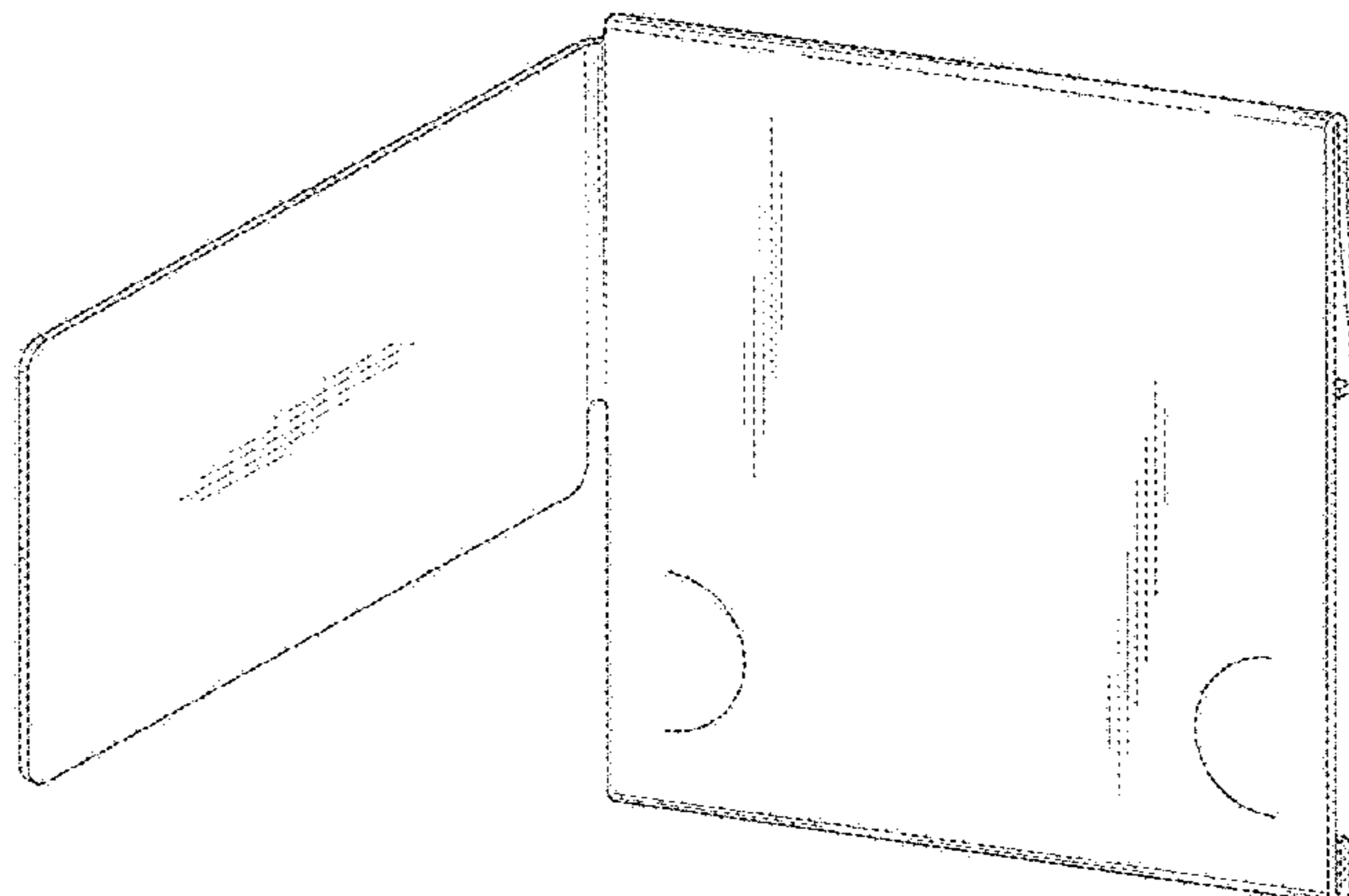
(57) **CLAIM**

The ornamental design for a sign for a shelf, substantially as shown and described.

**DESCRIPTION**

FIG. 1 is a front perspective view of the sign for a shelf according to a first embodiment;  
FIG. 2 is a front elevational view of the sign for a shelf of FIG. 1;  
FIG. 3 is a rear elevational view of the sign for a shelf of FIG. 1;  
FIG. 4 is a left elevational view of the sign for a shelf of FIG. 1;  
FIG. 5 is a right elevational view of the sign for a shelf of FIG. 1;  
FIG. 6 is a top view of the sign for a shelf of FIG. 1;  
FIG. 7 is a bottom view of the sign for a shelf of FIG. 1;  
FIG. 8 is a front perspective view of the sign for a shelf according to a second embodiment;  
FIG. 9 is a front elevational view of the sign for a shelf of FIG. 8;  
FIG. 10 is a rear elevational view of the sign for a shelf of FIG. 8;  
FIG. 11 is a left elevational view of the sign for a shelf of FIG. 8;  
FIG. 12 is a right elevational view of the sign for a shelf of FIG. 8;  
FIG. 13 is a top view of the sign for a shelf of FIG. 8;  
FIG. 14 is a bottom view of the sign for a shelf of FIG. 8;  
FIG. 15 is a front perspective view of the sign for a shelf according to a third embodiment; and,  
FIG. 16 is a front perspective view of the sign for a shelf according to a fourth embodiment.

**1 Claim, 10 Drawing Sheets**



(56)

References Cited

U.S. PATENT DOCUMENTS

3,423,880 A 1/1969 Berry, Jr. et al.  
 3,571,960 A \* 3/1971 Karel ..... 40/312  
 3,774,328 A 11/1973 Tanney  
 3,903,629 A 9/1975 Gruna  
 3,977,109 A 8/1976 Berry, Jr. et al.  
 4,152,851 A 5/1979 Goldstein  
 4,306,366 A 12/1981 Taub  
 4,317,303 A 3/1982 Sernovitz  
 4,338,739 A 7/1982 Greenberger  
 4,477,048 A \* 10/1984 Conway ..... 248/447.1  
 4,541,598 A 9/1985 Villanueva et al.  
 4,645,701 A 2/1987 Zarrow  
 4,798,014 A 1/1989 Stoerzinger et al.  
 4,829,689 A 5/1989 Alshooler  
 4,919,377 A 4/1990 Alexander et al.  
 5,344,250 A 9/1994 Kringel et al.  
 5,695,061 A 12/1997 Stompe  
 D399,260 S 10/1998 Thimote  
 5,832,644 A 11/1998 Mason  
 5,848,698 A 12/1998 Stompe  
 5,967,343 A 10/1999 Dufresne  
 6,354,546 B1 3/2002 Mueller  
 6,581,312 B2 6/2003 Padiak et al.  
 6,649,238 B2 11/2003 Chess et al.  
 6,701,653 B2 3/2004 Chess et al.

D496,397 S 9/2004 Melnyk  
 6,817,127 B2 11/2004 Gottlieb et al.  
 D501,668 S 2/2005 Kayoum  
 D512,462 S \* 12/2005 Matul et al. .... D20/40  
 6,981,343 B2 1/2006 Rawlings et al.  
 7,009,524 B2 3/2006 Capurso et al.  
 7,040,051 B2 \* 5/2006 Windorski ..... 40/641  
 7,401,430 B2 7/2008 Lindquist et al.  
 D591,739 S 5/2009 Matsuoka  
 D595,683 S 7/2009 Tsai et al.  
 7,577,466 B2 8/2009 Kim  
 7,587,849 B2 9/2009 Robbins et al.  
 D602,460 S 10/2009 Kim et al.  
 D606,037 S 12/2009 Christopher et al.  
 D608,395 S 1/2010 Engelby et al.  
 D611,025 S 3/2010 Yu  
 D615,971 S 5/2010 Chien et al.  
 D616,853 S 6/2010 Ahn et al.  
 D618,653 S 6/2010 Kim et al.  
 D619,989 S 7/2010 Huang  
 D622,691 S 8/2010 Kim et al.  
 D624,897 S 10/2010 Choi et al.  
 D627,828 S 11/2010 Ricci et al.  
 D631,917 S 2/2011 Ricci et al.  
 D640,749 S \* 6/2011 Darress ..... D20/40  
 D652,873 S \* 1/2012 Ricci et al. .... D20/10  
 2004/0211820 A1 10/2004 Berger

\* cited by examiner

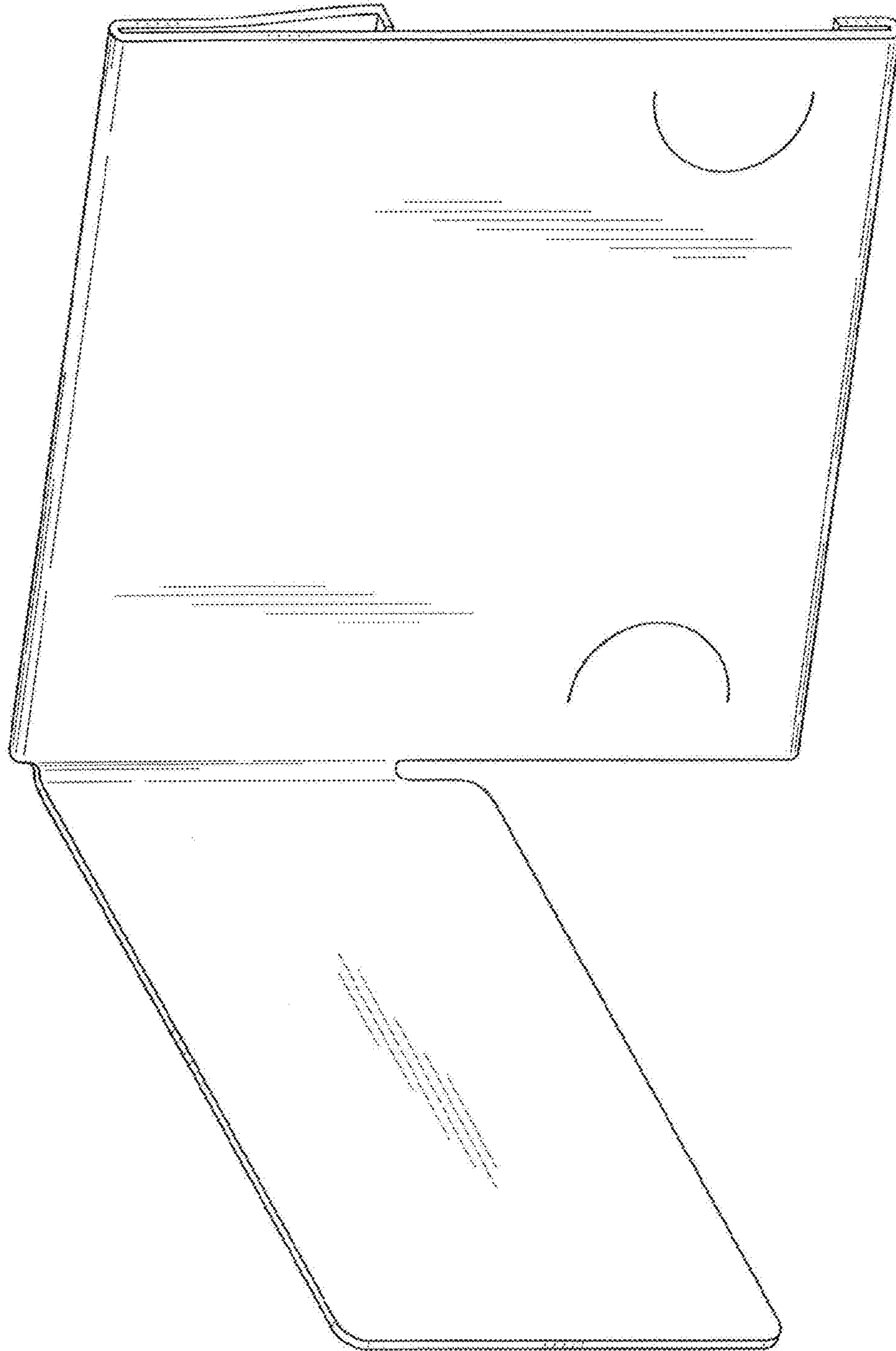


FIG. 1

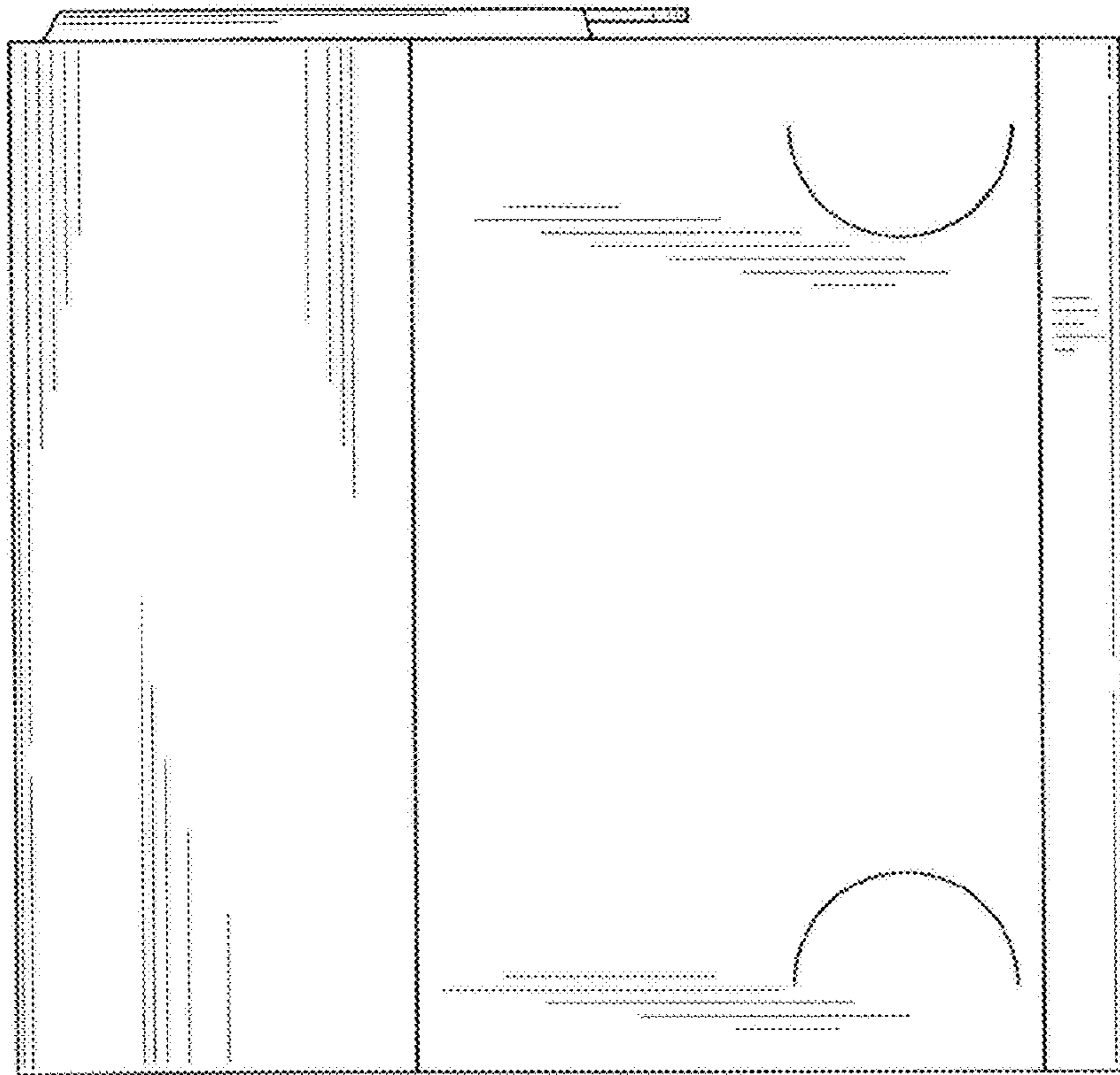


FIG. 2

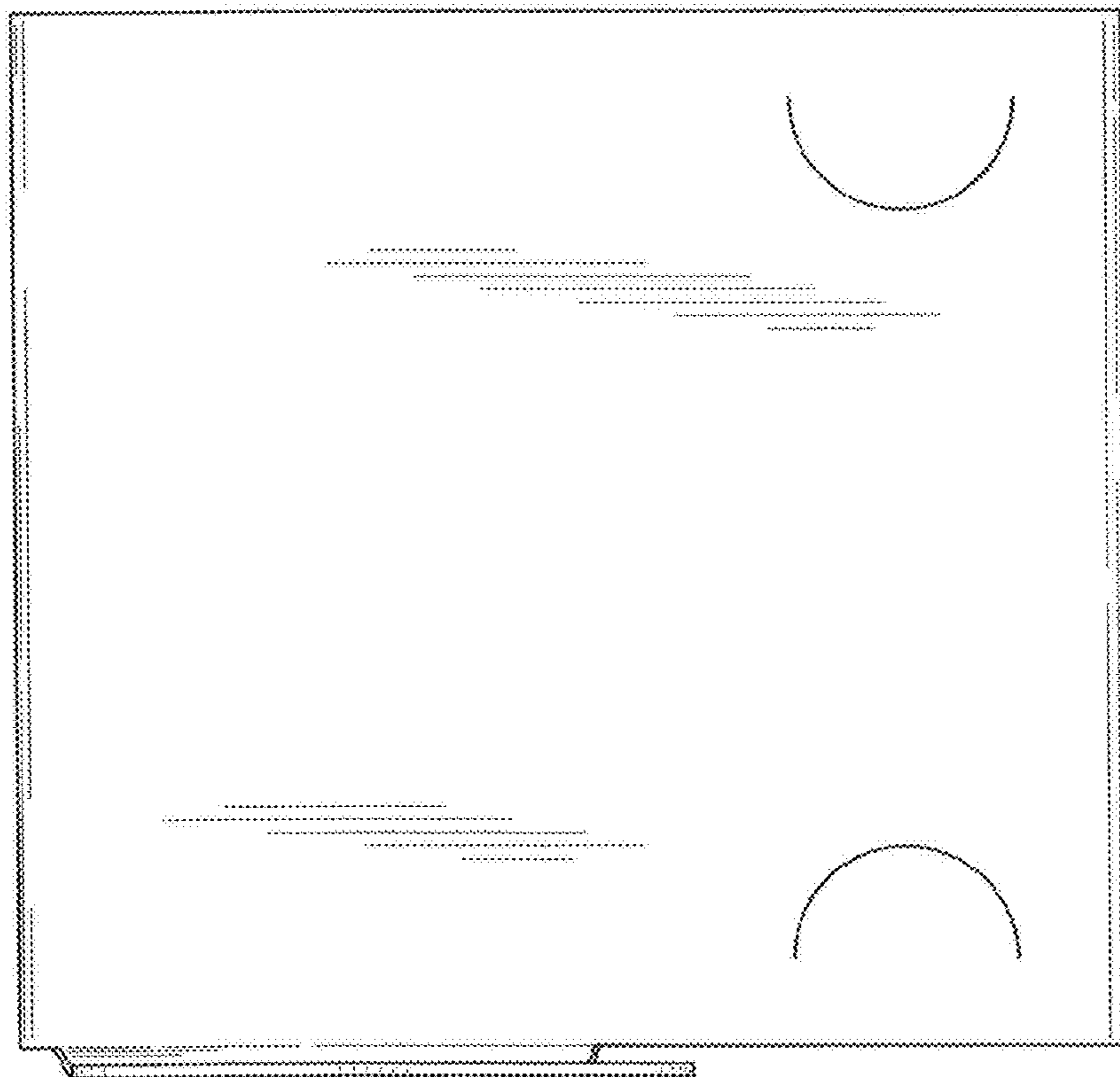


FIG. 3

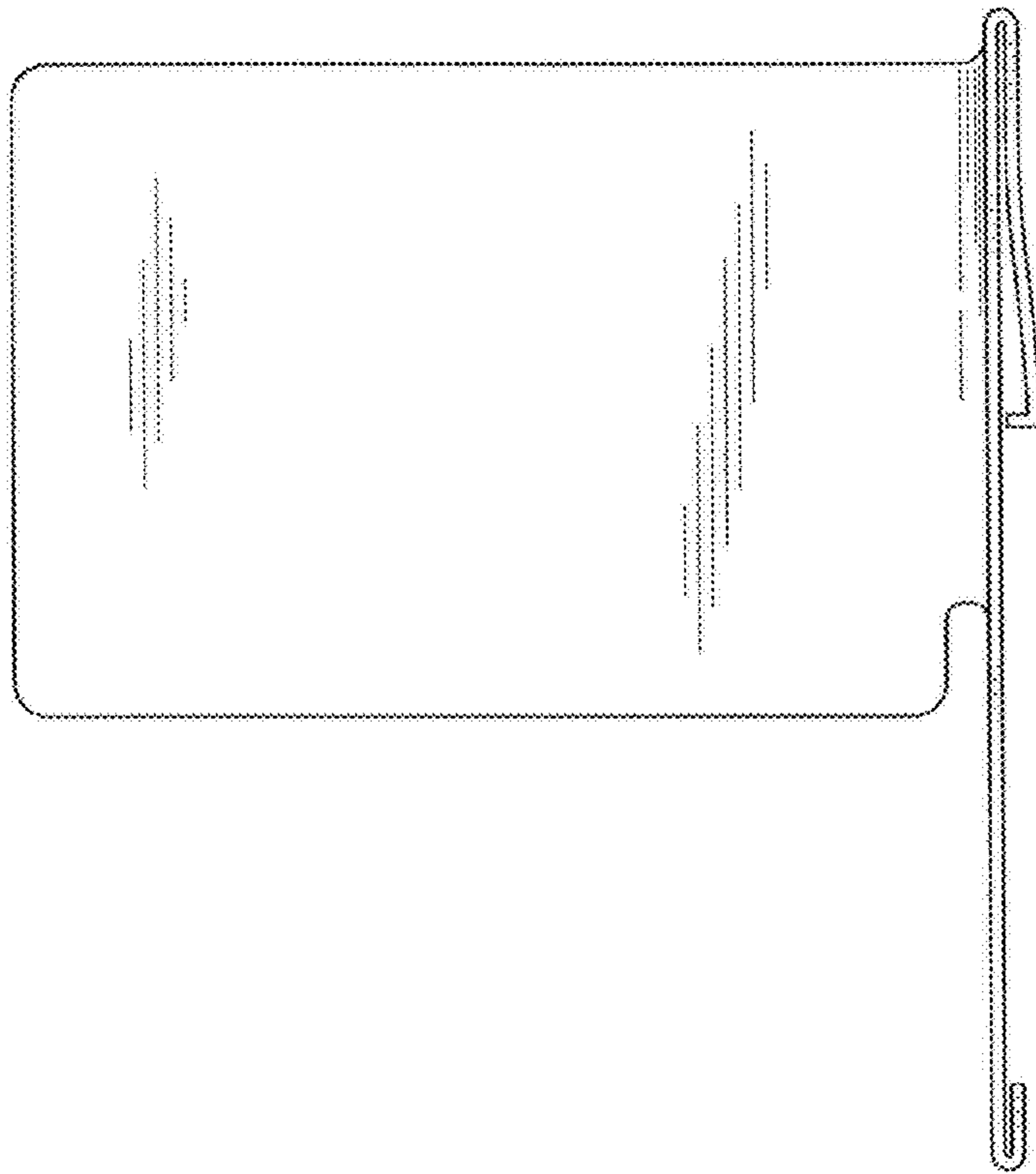


FIG. 4

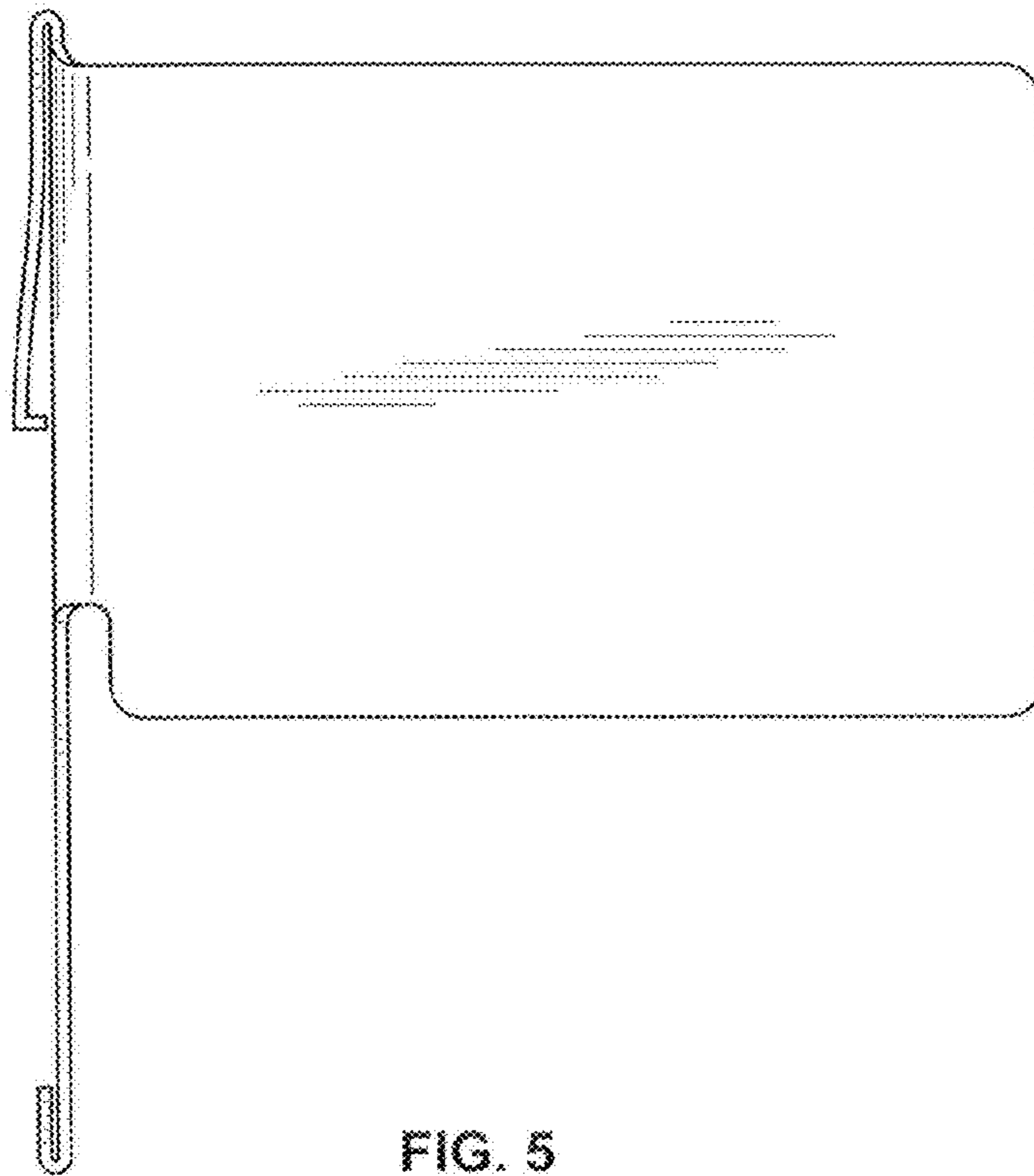


FIG. 5



FIG. 6



FIG. 7

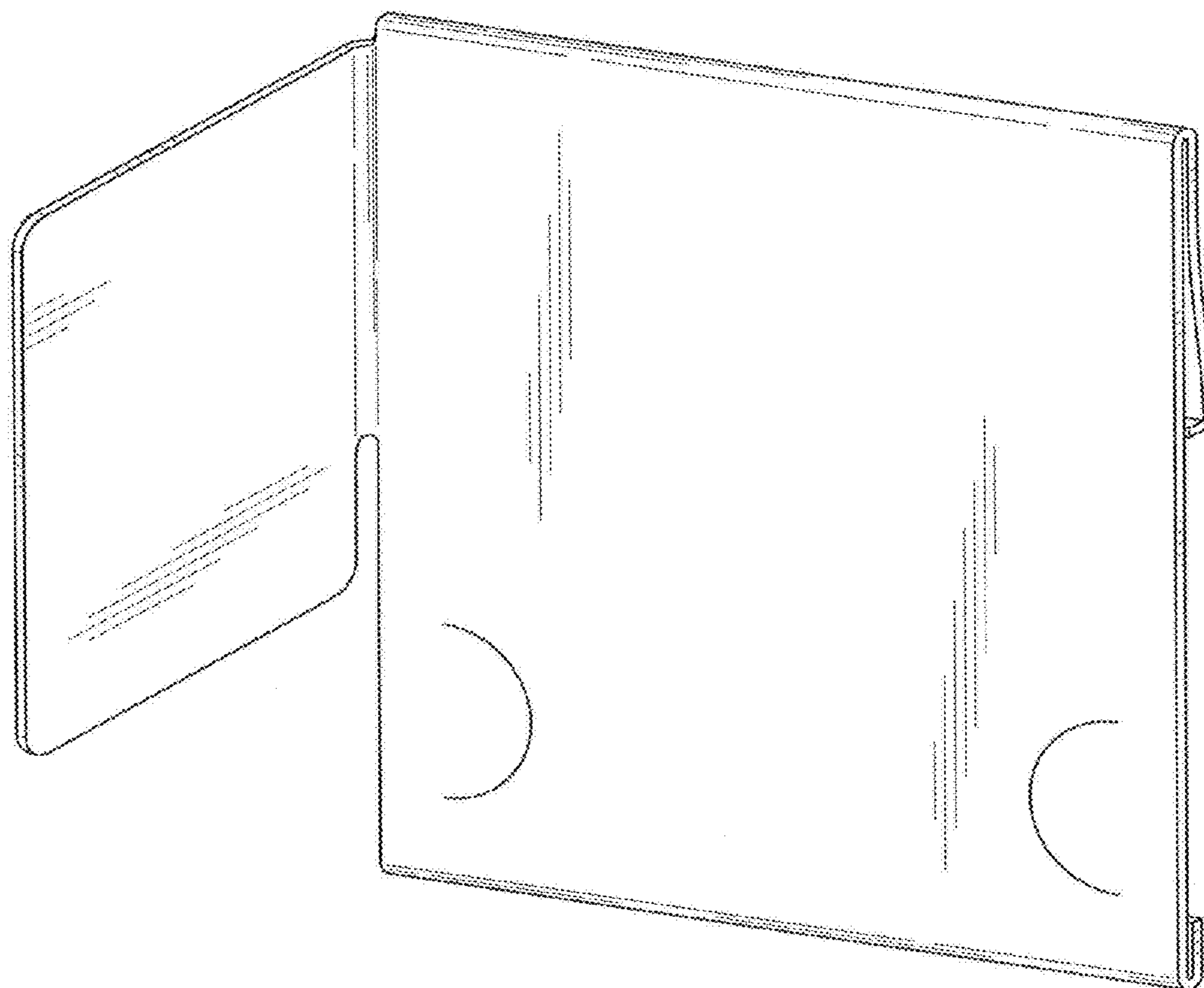


FIG. 8

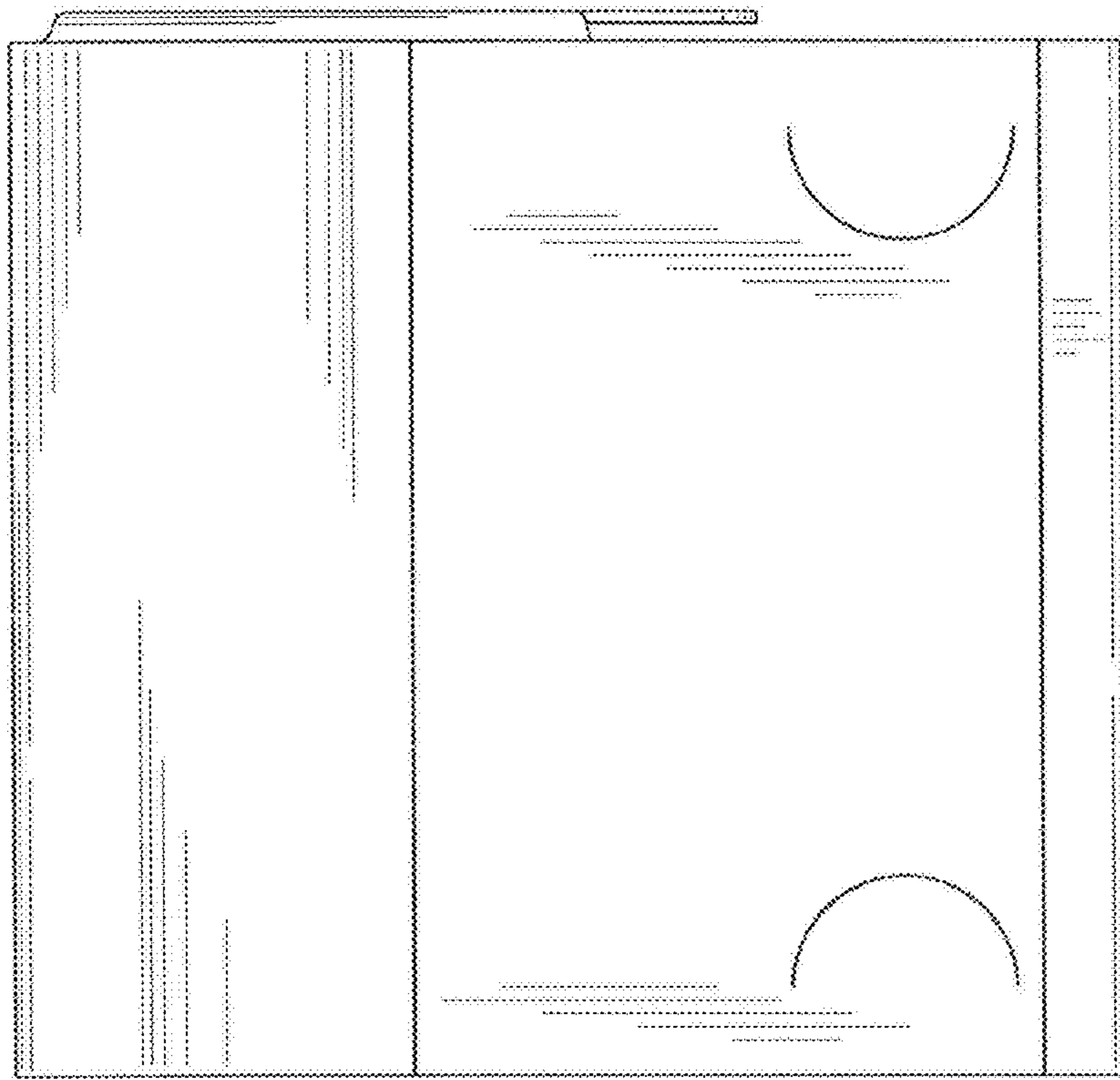


FIG. 10

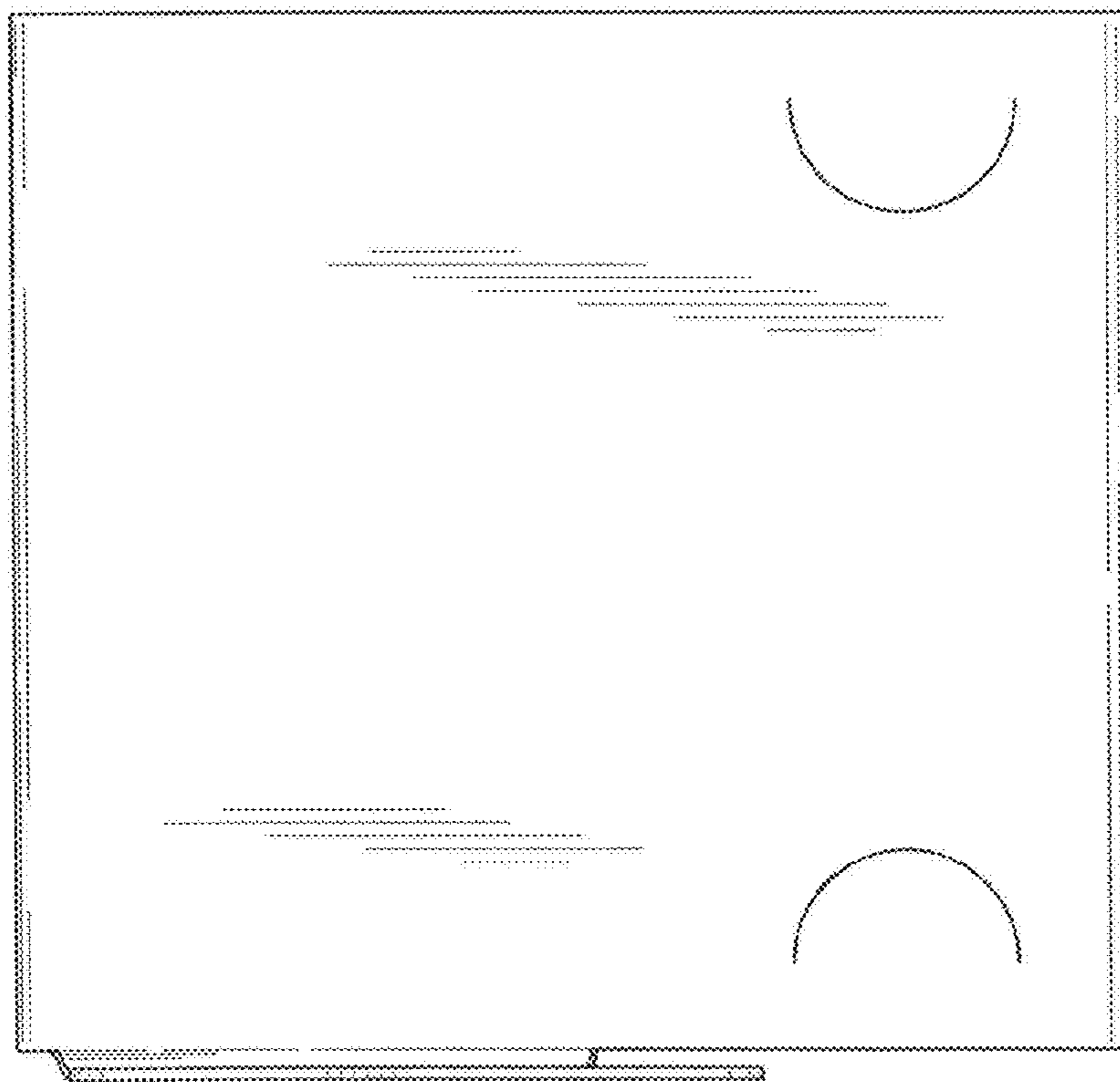


FIG. 9



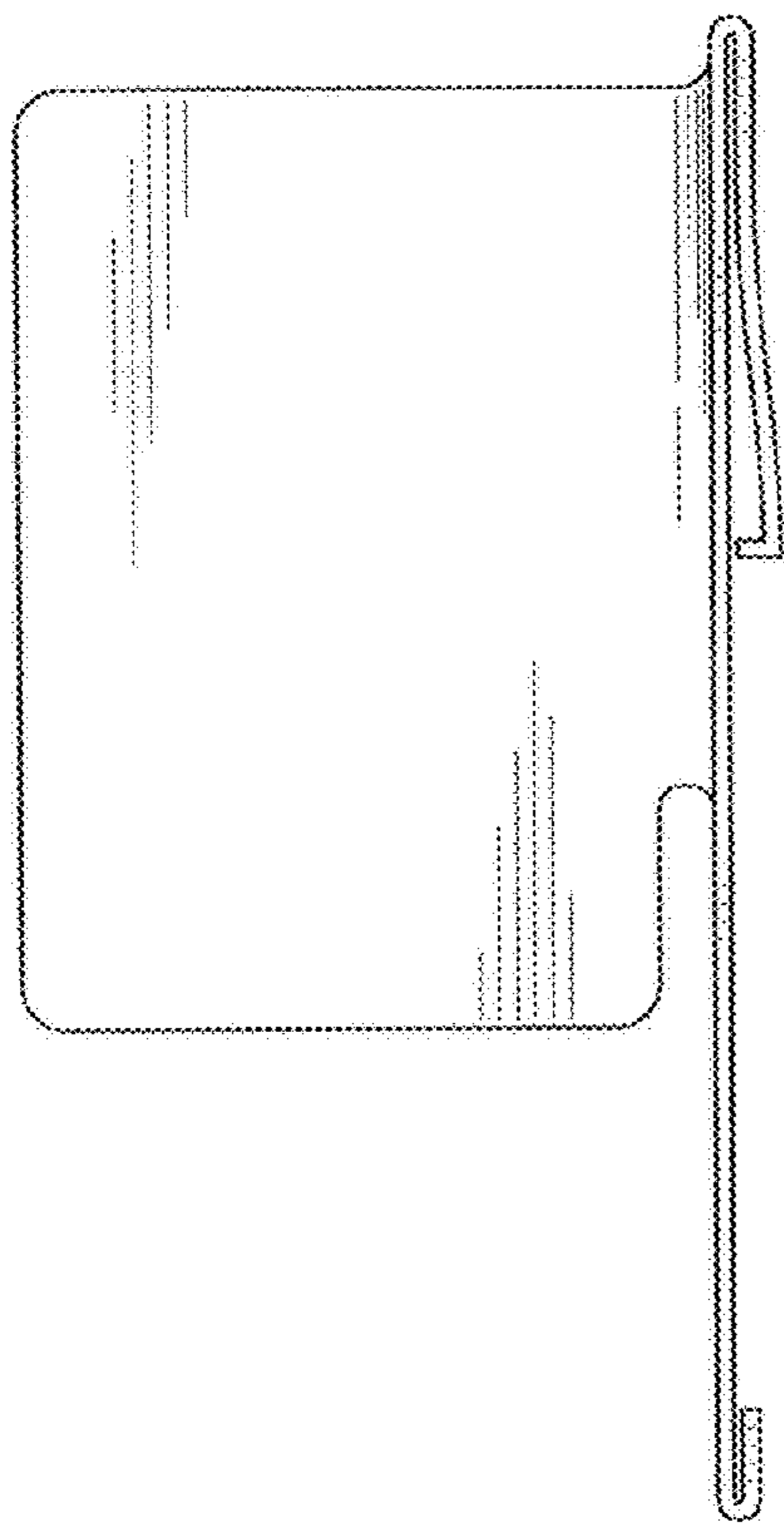


FIG. 11

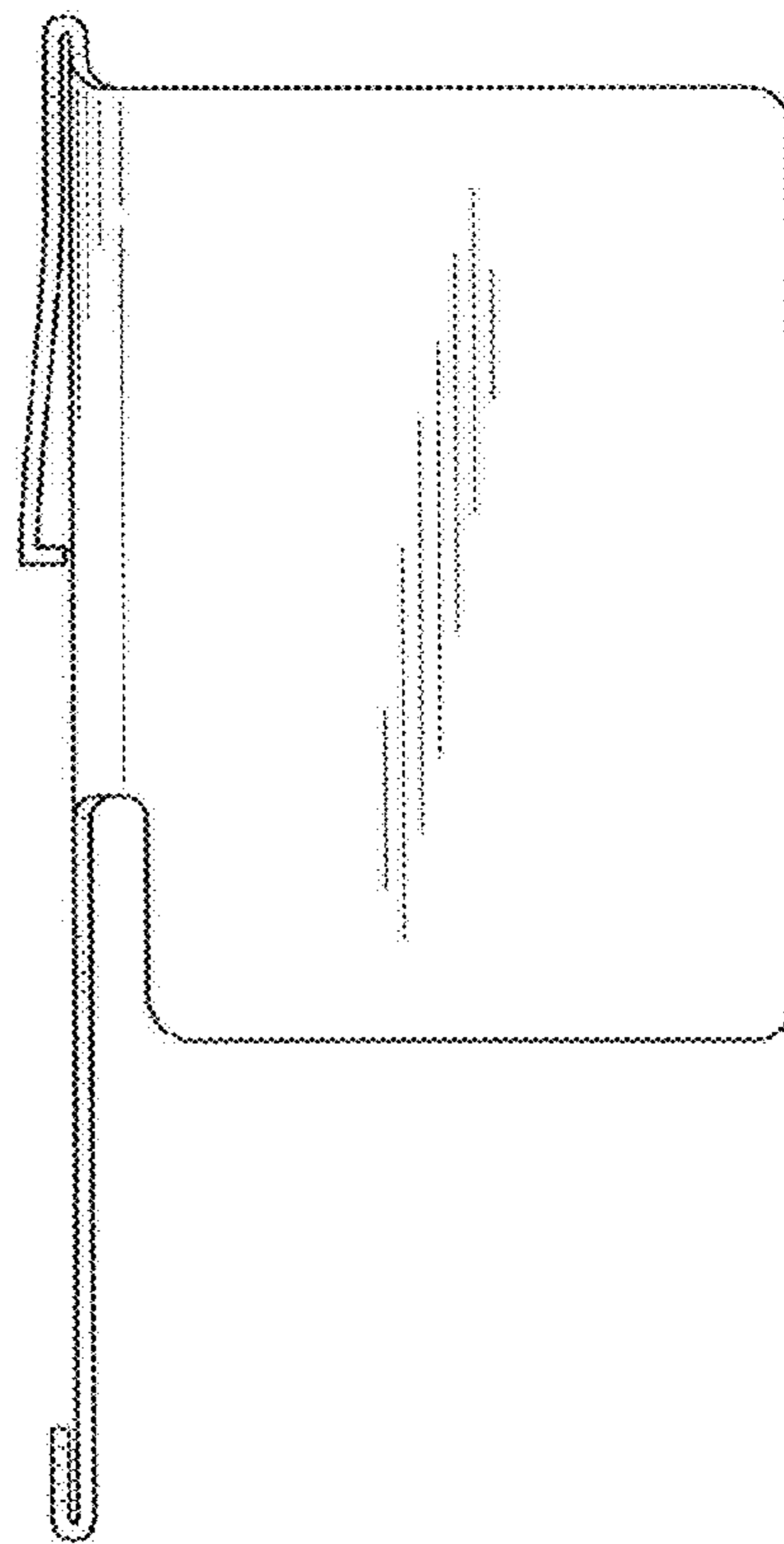


FIG. 12

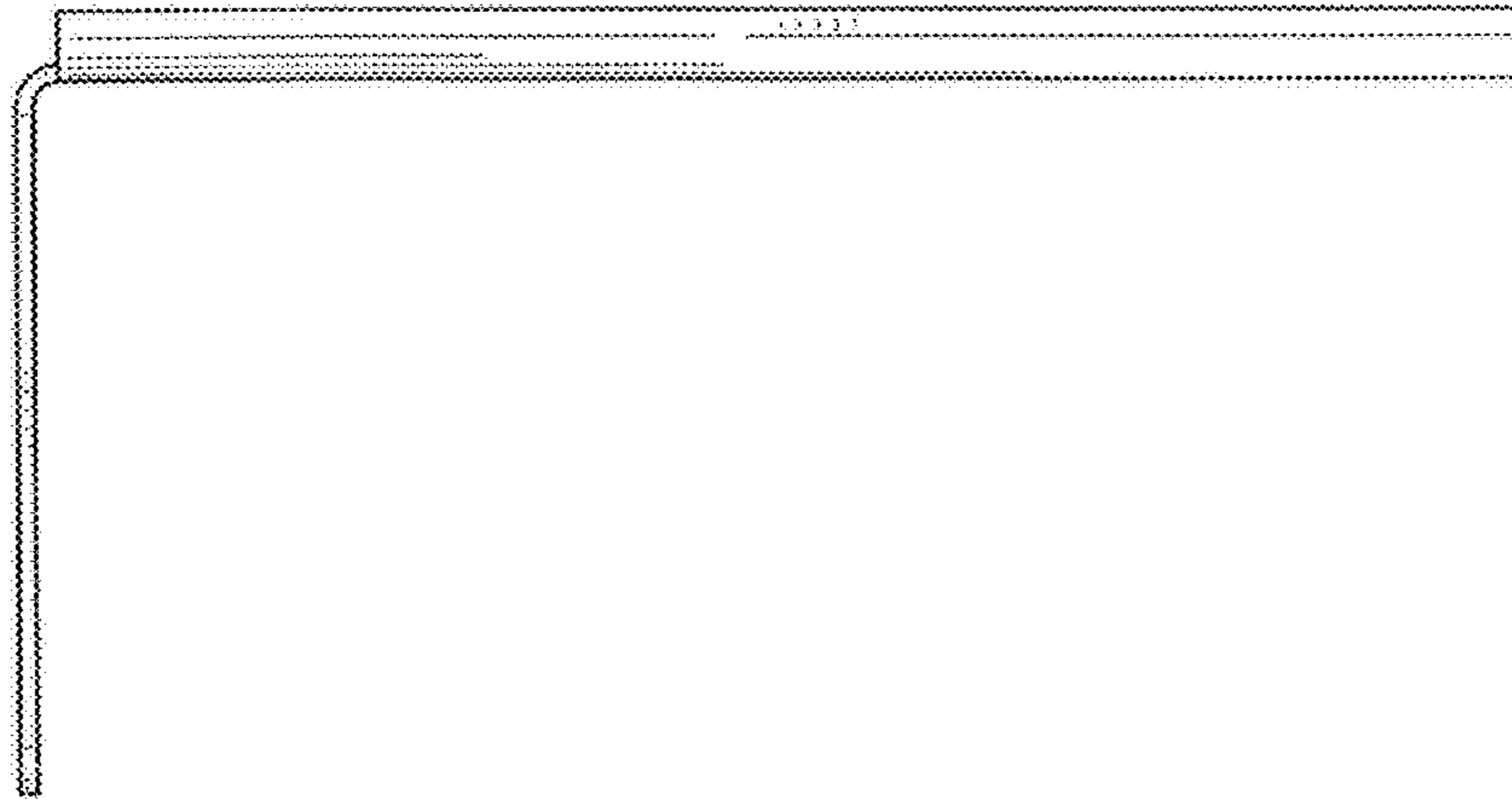


FIG. 13



FIG. 14

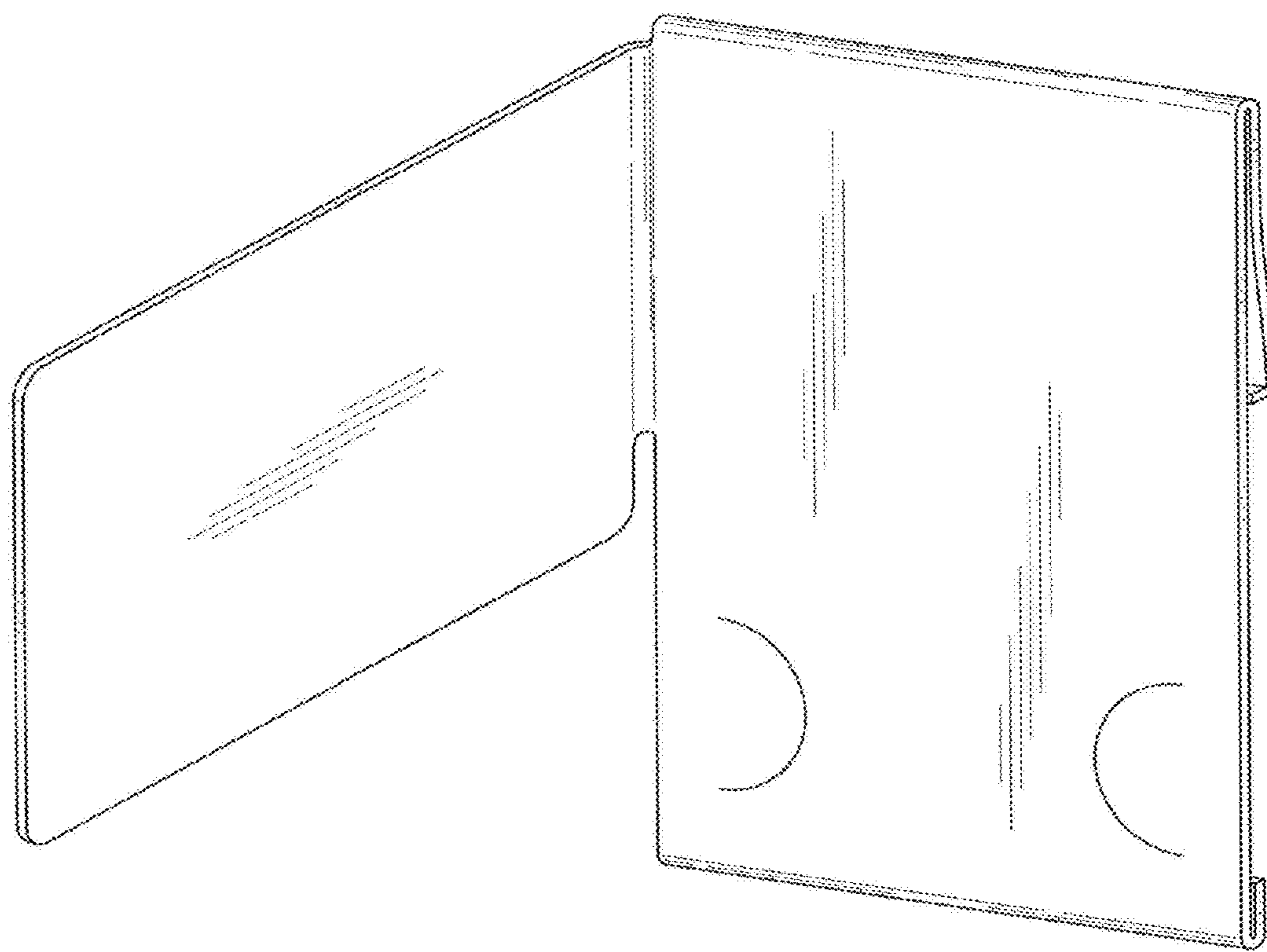


FIG. 15

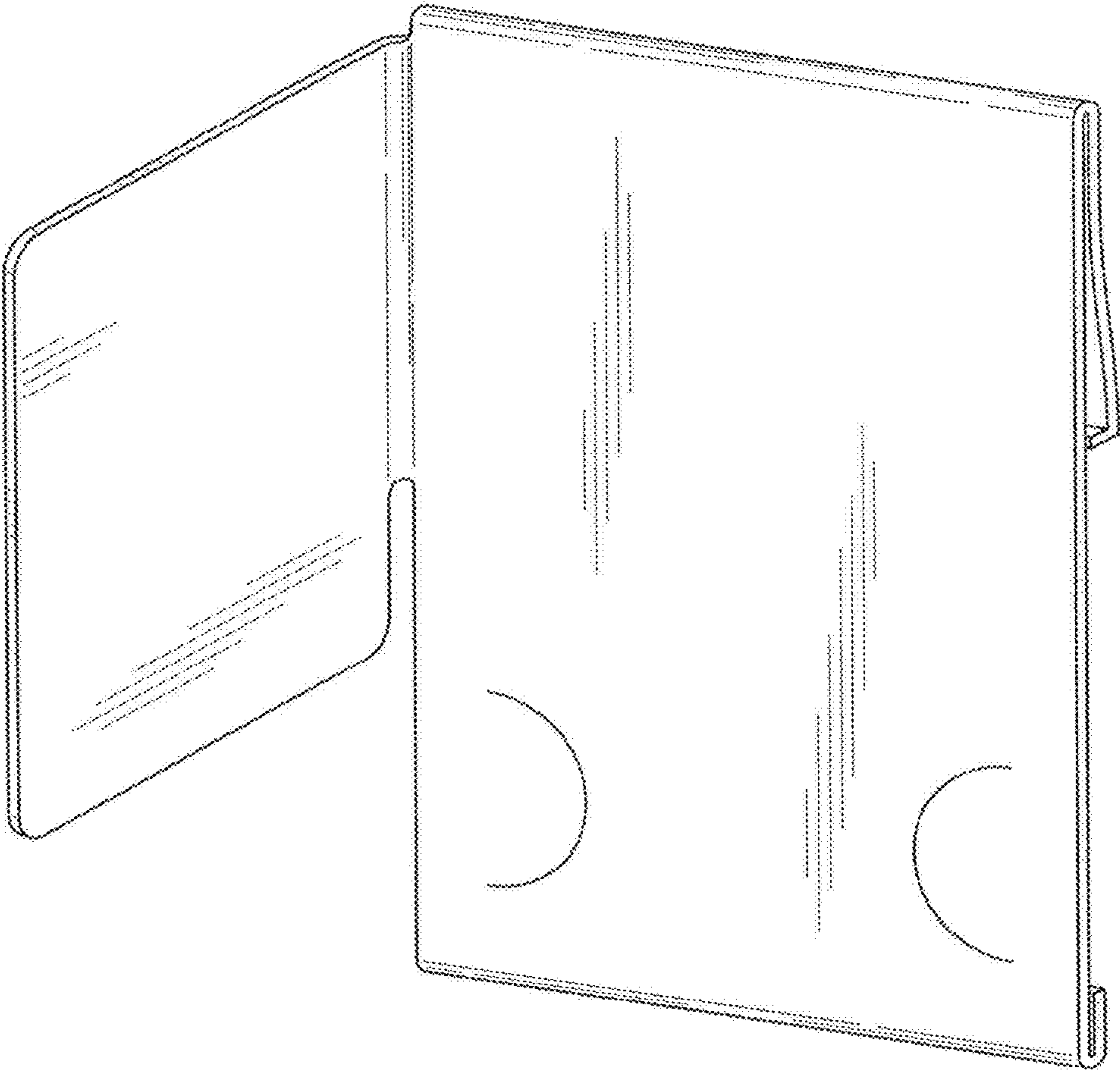


FIG. 16