



US00D694826S

(12) **United States Design Patent**  
**Ricci et al.**

(10) **Patent No.:** **US D694,826 S**

(45) **Date of Patent:** **\*\* Dec. 3, 2013**

- (54) **SIGN FOR A SHELF**
- (75) Inventors: **John Ricci**, Kleinburg (CA); **Frank Borges**, Oakville (CA)
- (73) Assignee: **Dana Industries Inc.**, Etonicoke (CA)
- (\*\*) Term: **14 Years**
- (21) Appl. No.: **29/413,129**
- (22) Filed: **Feb. 10, 2012**
- (51) **LOC (9) Cl.** ..... **20-03**
- (52) **U.S. Cl.**  
USPC ..... **D20/42**
- (58) **Field of Classification Search**  
USPC ..... D20/10, 19, 22, 23, 27, 29, 40-42, 99;  
40/124.01, 124.05, 124.08, 124.09,  
40/124.191, 299.01, 312, 446, 538, 539,  
40/541, 584, 605, 611.01, 611.1, 612, 615,  
40/617, 638, 642.02, 649, 650, 661.03;  
D10/109.1, 113.4; 283/56, 71, 81;  
362/812; 428/120

See application file for complete search history.

(56) **References Cited**

**U.S. PATENT DOCUMENTS**

D79,119 S	7/1929	Rau	
2,130,945 A	9/1938	Brownell	
2,297,888 A	10/1942	Heileman	
2,720,044 A	10/1955	Montalto	
2,838,860 A	6/1958	Finnerty	
2,923,078 A	2/1960	Slavsky	
3,077,686 A	2/1963	Montalto	
3,423,860 A	1/1969	Berry, Jr. et al.	
3,571,960 A *	3/1971	Karel	40/312
3,774,328 A	11/1973	Tanney	
3,903,629 A	9/1975	Gruna	
3,977,109 A	8/1976	Berry et al.	

4,152,851 A	5/1979	Goldstein	
4,306,366 A	12/1981	Taub	
4,317,303 A	3/1982	Sernovitz	
4,338,739 A	7/1982	Greenberger	
4,541,598 A	9/1985	Villanueva et al.	
4,645,701 A	2/1987	Zarrow	
4,798,014 A	1/1989	Stoerzinger et al.	
4,829,689 A	5/1989	Alshooler	
4,919,377 A	4/1990	Alexander et al.	
5,344,250 A	9/1994	Kringel et al.	
5,695,061 A	12/1997	Stompe	
D399,260 S	10/1998	Thimote	
5,826,358 A *	10/1998	DeSutter	40/611.1
5,832,644 A	11/1998	Mason	
5,848,698 A	12/1998	Stompe	

(Continued)

*Primary Examiner* — Mary Ann Calabrese

(74) *Attorney, Agent, or Firm* — Santosh K. Chari; Blake, Cassels & Graydon LLP

(57) **CLAIM**

The ornamental design for a sign for a shelf, substantially as shown and described.

**DESCRIPTION**

FIG. 1 is a perspective view of a sign for a shelf according to our new design.

FIG. 2 is a front elevational view of the design of FIG. 1.

FIG. 3 is a rear elevational view of the design of FIG. 1.

FIG. 4 is a left elevational view of the design of FIG. 1.

FIG. 5 is a right elevational view of the design of FIG. 1.

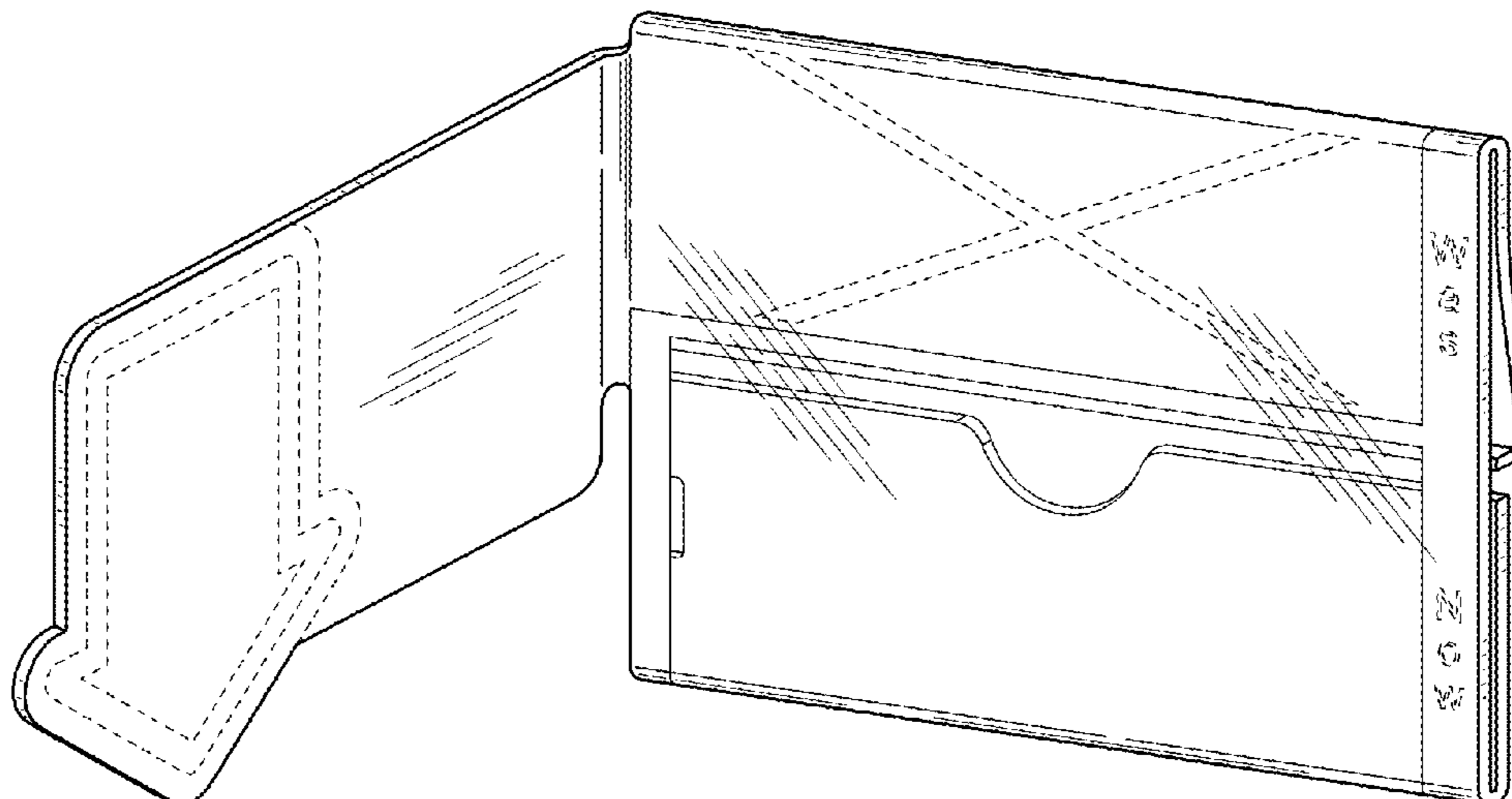
FIG. 6 is a top view of the design of FIG. 1; and,

FIG. 7 is a bottom view of the design of FIG. 1.

The shading shown in the figures serves to illustrate transparency and is not surface ornamentation.

The portions of the figures shown in broken lines represent features that do not form part of the claimed design.

**1 Claim, 4 Drawing Sheets**



(56)

**References Cited**

U.S. PATENT DOCUMENTS

5,967,343	A	10/1999	Dufresne	7,587,849	B2	9/2009	Robbins et al.
6,354,546	B1	3/2002	Mueller	D602,460	S	10/2009	Kim et al.
6,581,312	B2	6/2003	Padiak et al.	D606,037	S	12/2009	Christopher et al.
6,649,238	B2	11/2003	Chess et al.	D608,395	S	1/2010	Engelby et al.
6,701,653	B2	3/2004	Chess et al.	D611,025	S	3/2010	Yu
D496,397	S	9/2004	Melnyk	D615,971	S	5/2010	Chien et al.
6,817,127	B2	11/2004	Gottlieb et al.	D616,853	S	6/2010	Ahn et al.
D501,668	S	2/2005	Kayourn	D618,653	S	6/2010	Kim et al.
6,981,343	B2	1/2006	Rawlings et al.	D619,989	S	7/2010	Huang
7,009,524	B2	3/2006	Capurso et al.	D622,691	S	8/2010	Kim et al.
7,401,430	B2	7/2008	Lindquist et al.	D624,897	S	10/2010	Choi et al.
D591,739	S	5/2009	Matsuoka	D627,828	S	11/2010	Ricci et al.
D595,683	S	7/2009	Tsai et al.	D631,917	S	2/2011	Ricci et al.
7,577,466	B2	8/2009	Kim	D640,749	S	* 6/2011	Darress ..... D20/40
				D652,873	S	* 1/2012	Ricci et al. .... D20/10
				2003/0131512	A1	* 7/2003	Chess et al. .... 40/638
				2004/0211820	A1	10/2004	Berger

\* cited by examiner

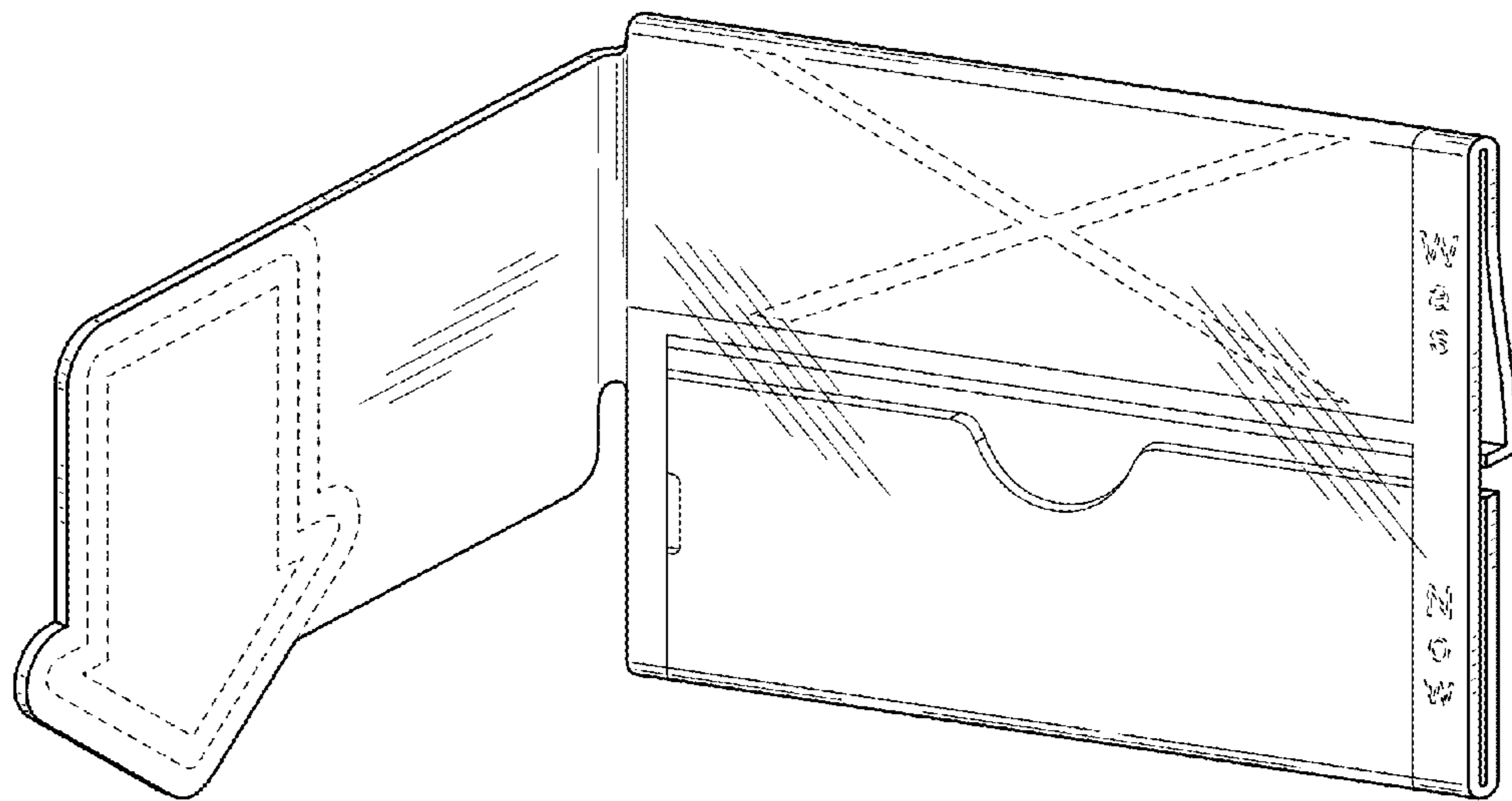


FIG. 1

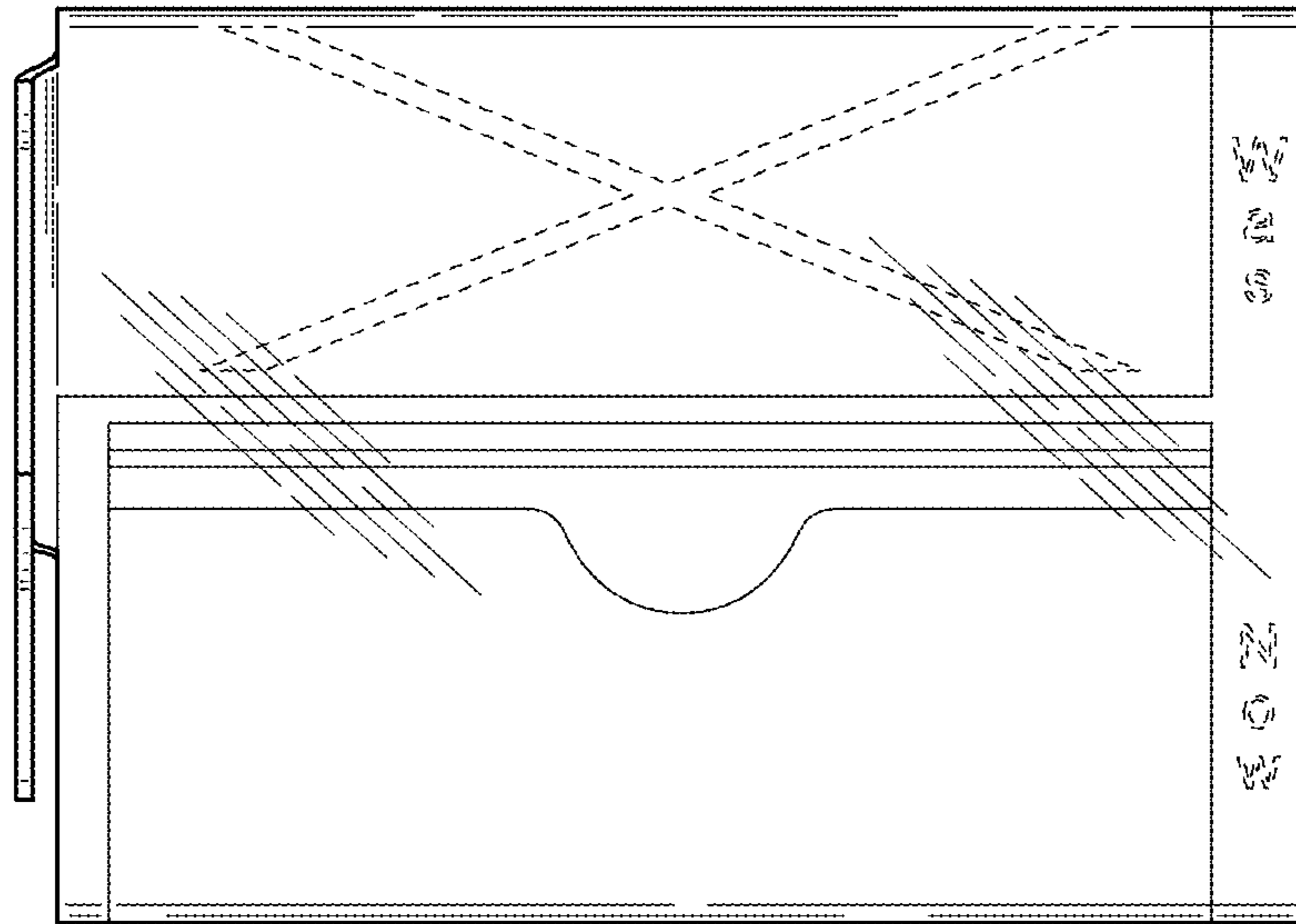


FIG. 2

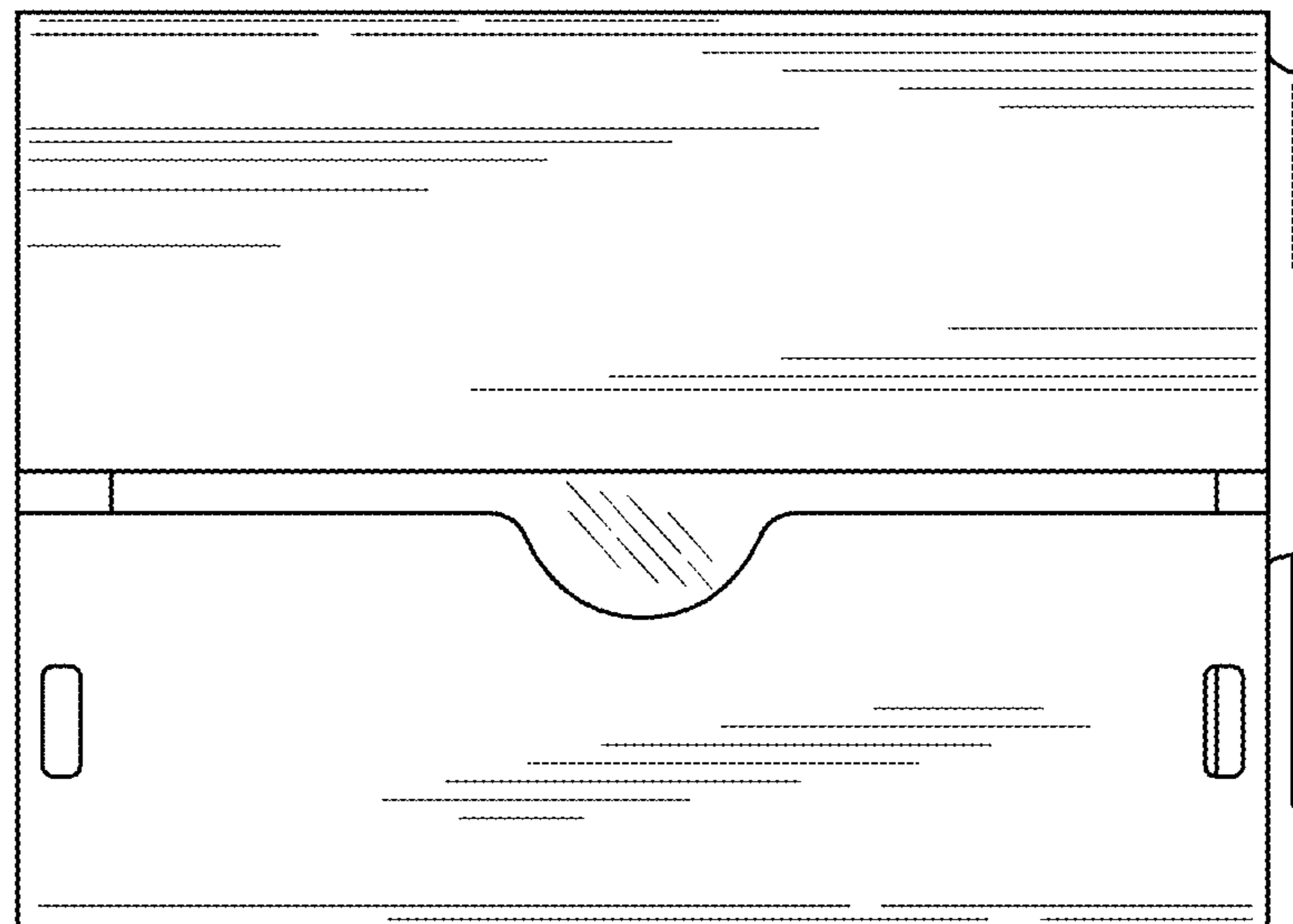


FIG. 3

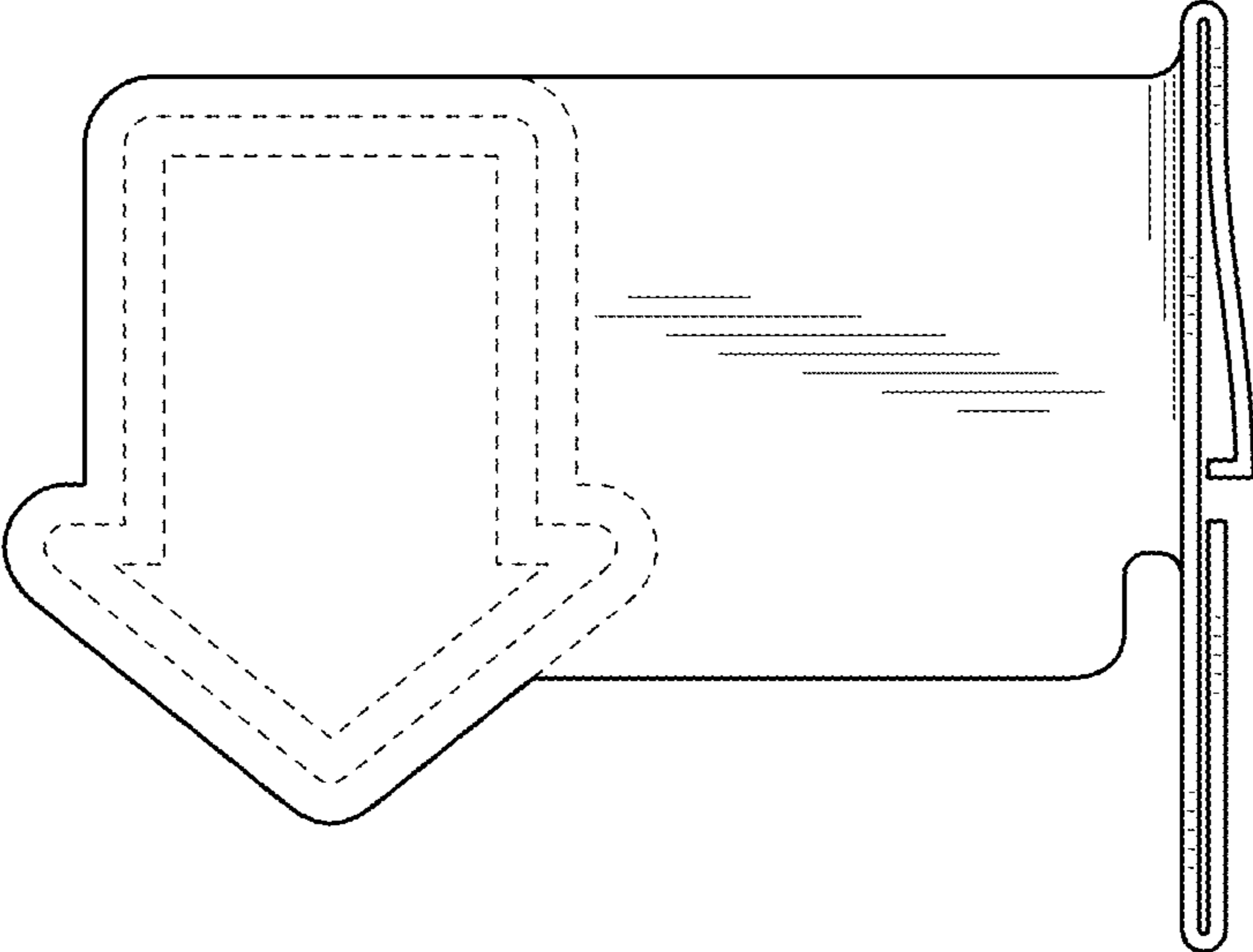


FIG. 4

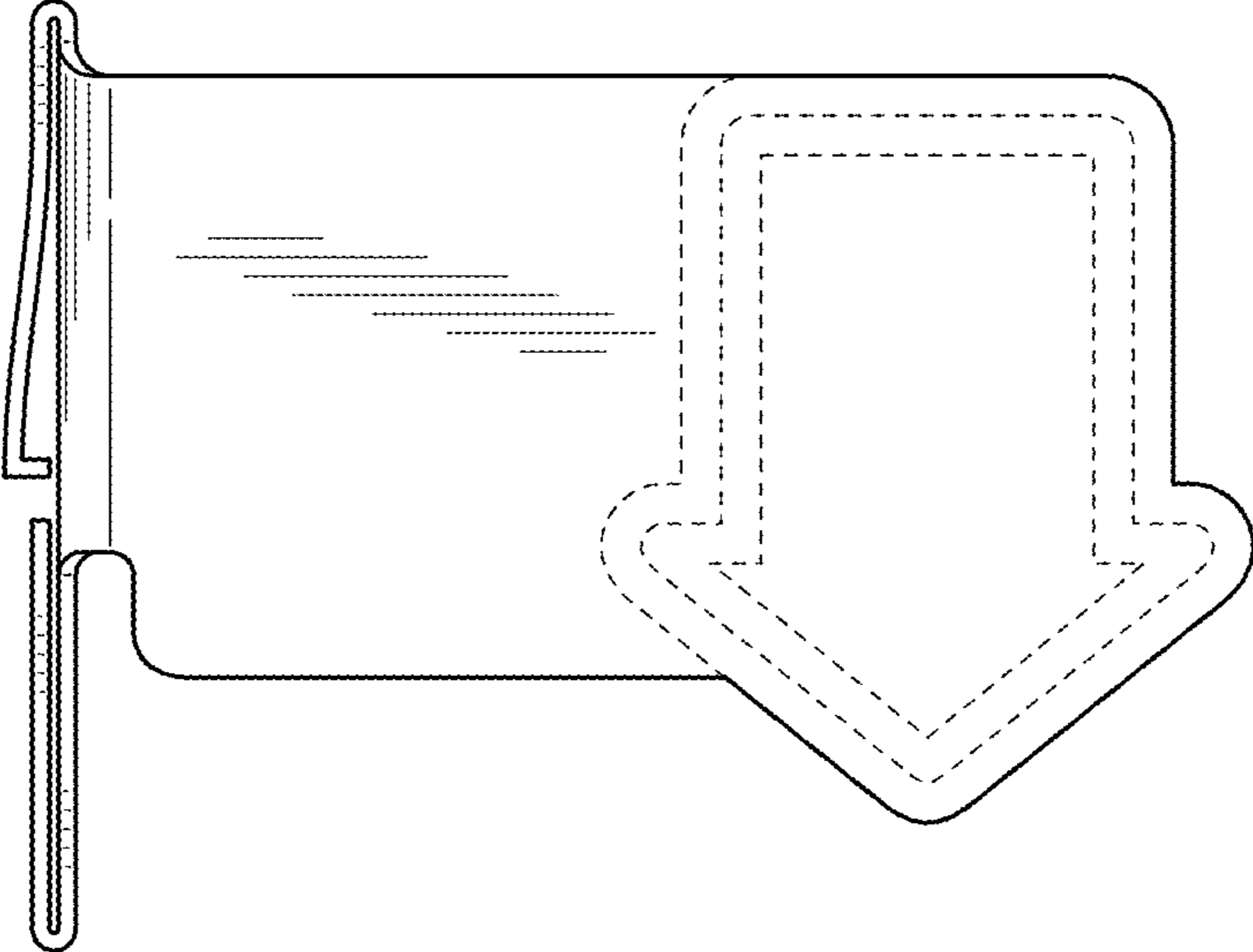


FIG. 5

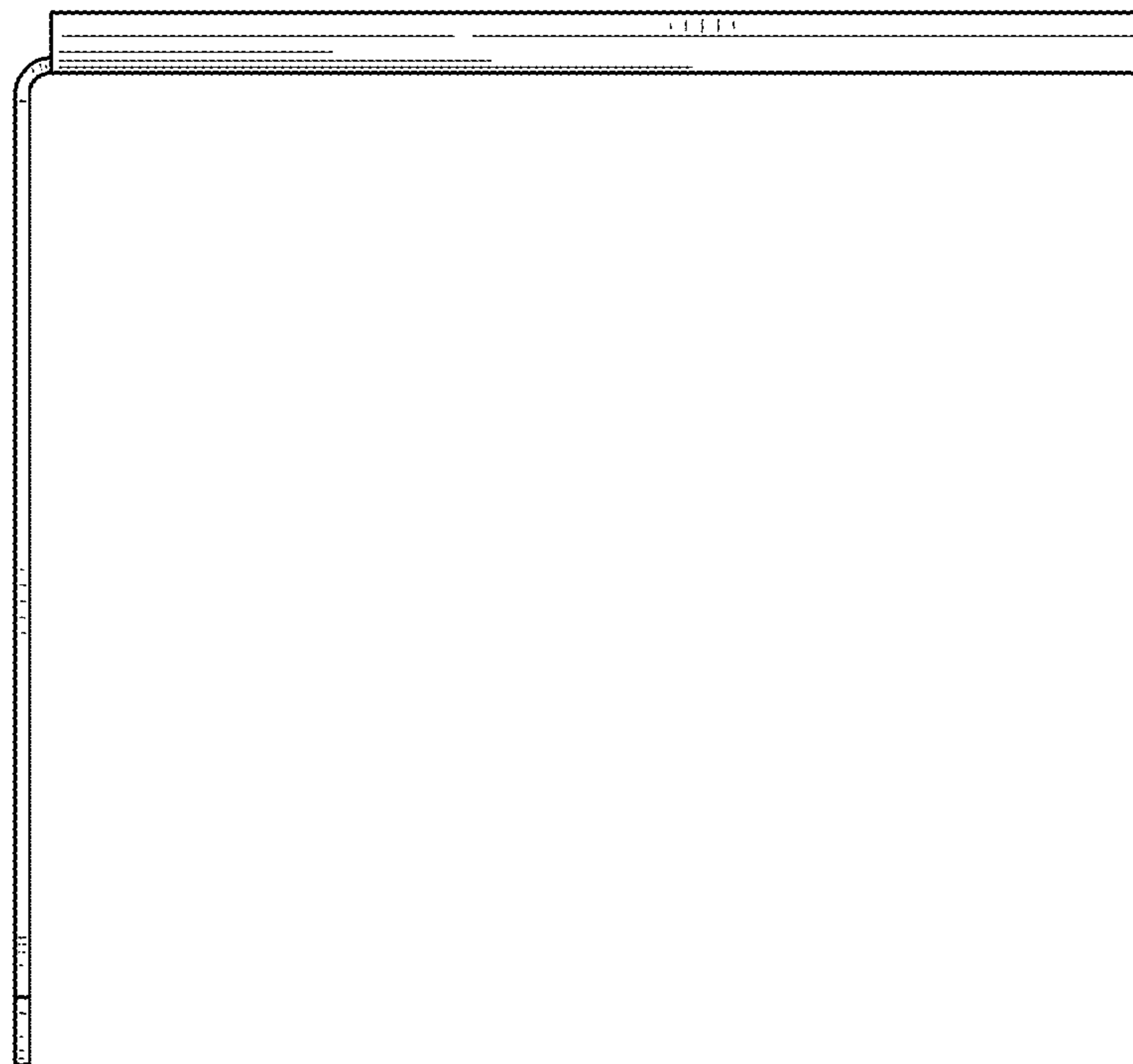


FIG. 6



FIG. 7