



US00D694825S

(12) **United States Design Patent**
Koepke

(10) **Patent No.:** **US D694,825 S**

(45) **Date of Patent:** **** Dec. 3, 2013**

(54) **BRIDGE TAPE**

(75) Inventor: **Robert S. Koepke**, Woodbury, MN (US)

(73) Assignee: **3M Innovative Properties Company**,
St. Paul, MN (US)

(**) Term: **14 Years**

(21) Appl. No.: **29/391,726**

(22) Filed: **May 12, 2011**

(51) **LOC (9) Cl.** **19-02**

(52) **U.S. Cl.**
USPC **D19/69**

(58) **Field of Classification Search**
USPC D10/71; D19/69; D24/189; D5/99;
33/494, 758, 562, 759; 101/288;
206/390; 40/638, 641; 428/43; D7/585;
D20/22, 42; D13/182
See application file for complete search history.

(56) **References Cited**

U.S. PATENT DOCUMENTS

2,764,501	A *	9/1956	Perri	428/43
3,001,306	A *	9/1961	Wilkinson	40/641
D490,855	S *	6/2004	Fujii	D19/69
D491,228	S *	6/2004	Fujii	D19/69
6,756,102	B1 *	6/2004	Galo	428/43
D549,189	S *	8/2007	Misumi et al.	D13/182

D572,156	S *	7/2008	Payne	D10/71
D602,989	S *	10/2009	Alicea et al.	D19/69
D611,541	S *	3/2010	Yonestu et al.	D19/69
D645,512	S *	9/2011	Matsumoto et al.	D19/69
D655,341	S *	3/2012	Yanagawa et al.	D19/69
D656,910	S *	4/2012	Taniguchi et al.	D13/182
D680,505	S *	4/2013	Taniguchi et al.	D13/182

* cited by examiner

Primary Examiner — Austin Murphy

(74) *Attorney, Agent, or Firm* — Dena M. Ehrich

(57) **CLAIM**

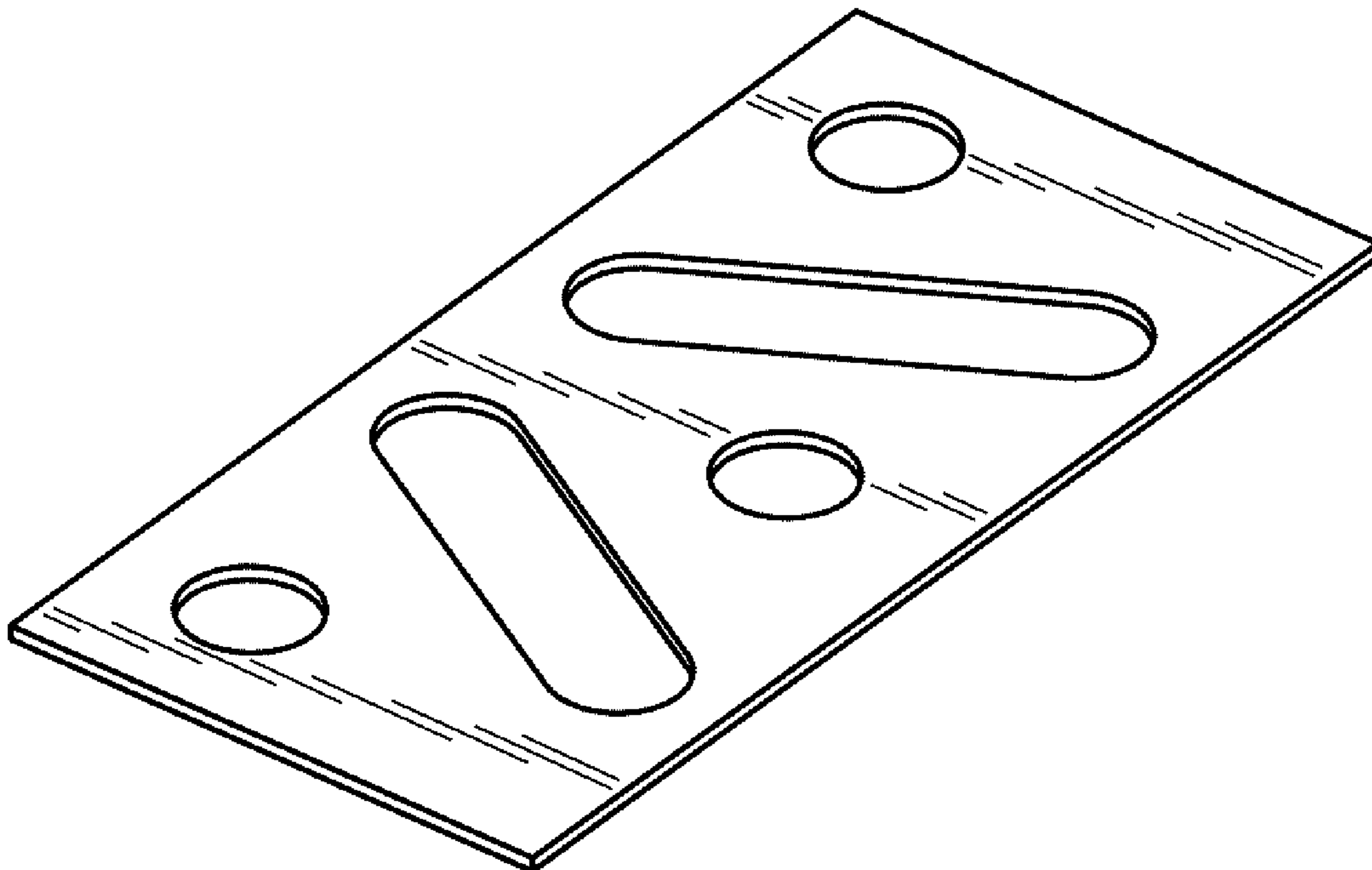
The ornamental design for a bridge tape, as shown and described.

DESCRIPTION

FIG. 1 is a perspective view showing the new design for a bridge tape;
FIG. 2 is a top view thereof, the bottom view being a mirror image thereof;
FIG. 3 is a front view thereof, the rear view being a mirror image thereof; and,
FIG. 4 is a right side view thereof, the left side view being a mirror image thereof.

It is understood that the surface shading is not intended to be indicative of gloss or texture and forms no part of the claimed design.

1 Claim, 1 Drawing Sheet



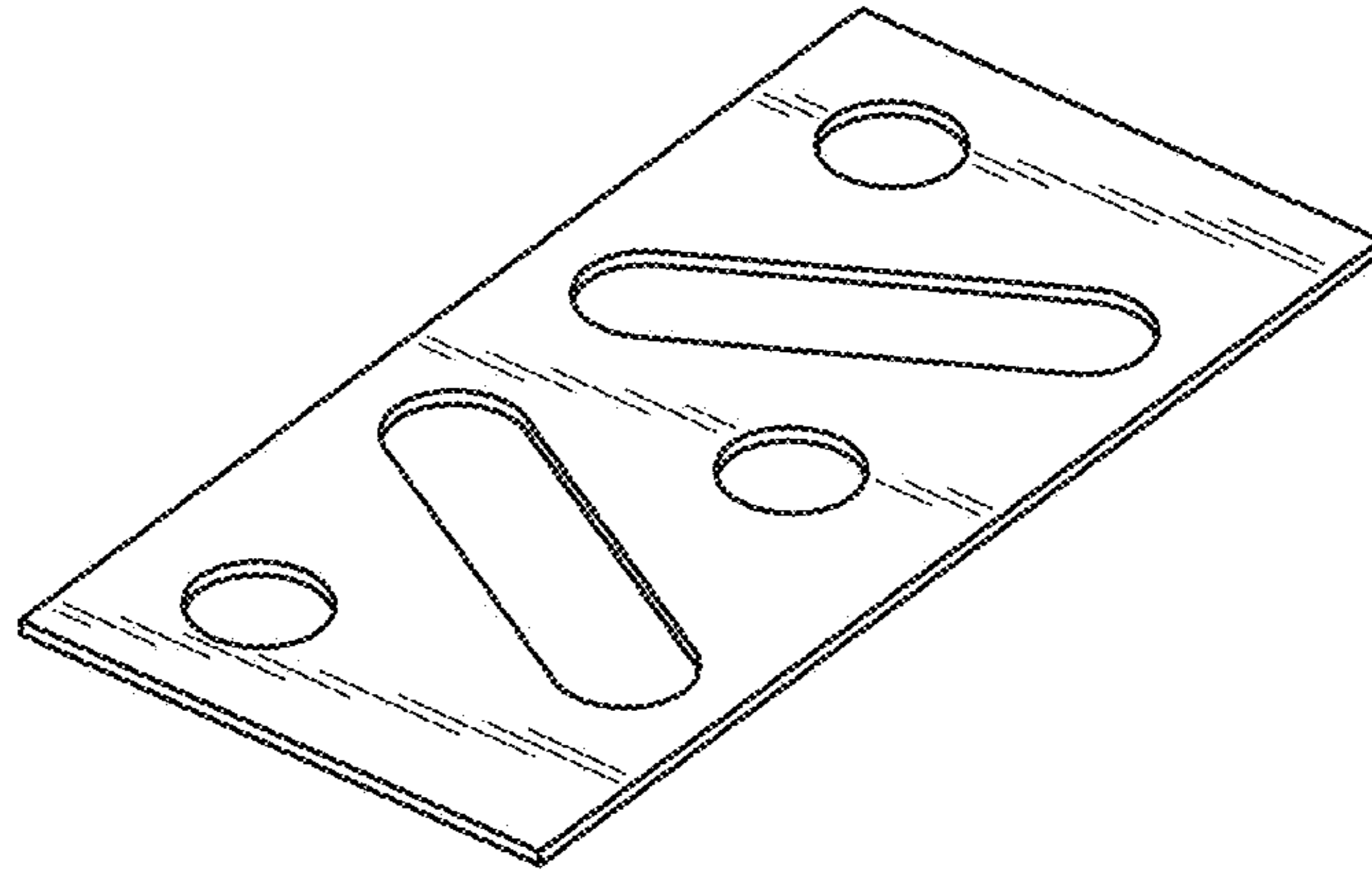


Fig. 1

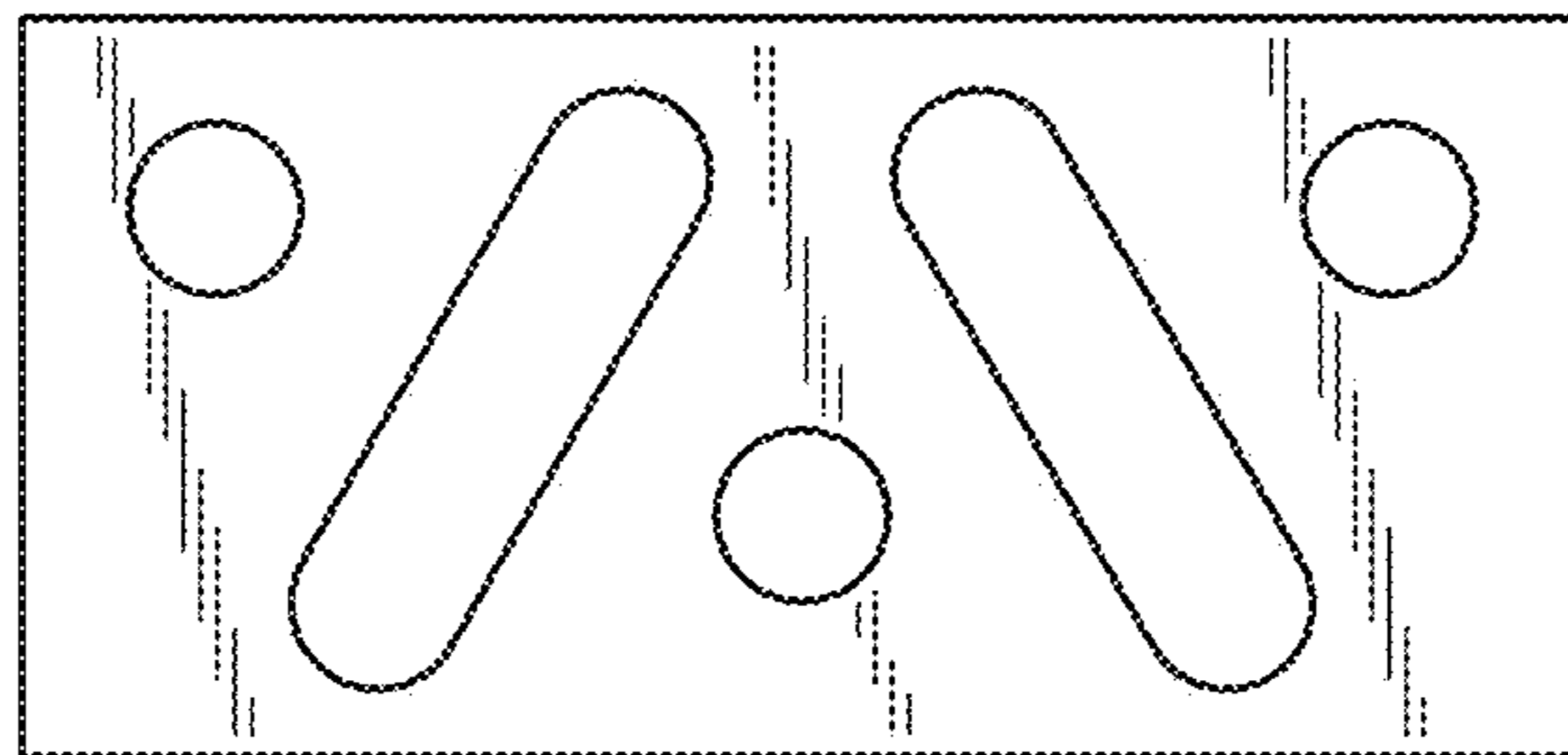


Fig. 2

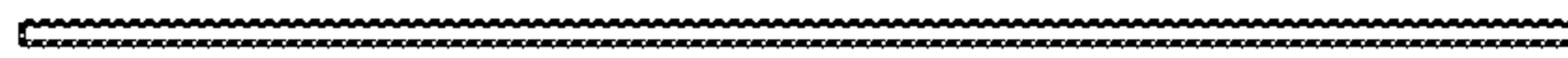


Fig. 3

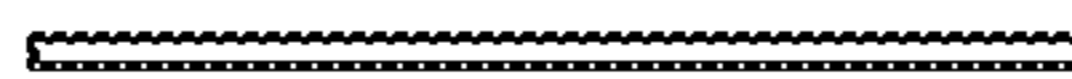


Fig. 4