

US00D694824S

(12) **United States Design Patent**
Hern et al.

(10) **Patent No.:** **US D694,824 S**

(45) **Date of Patent:** **** Dec. 3, 2013**

(54) **PEN**

(75) Inventors: **Matthew Hern**, Malibu, CA (US);
Michael Kent, Cumberland, RI (US);
Nicole Ferrari, Ashland, MA (US);
Steve Lubarsky, Feeding Hills, MA
(US); **Andrew Schneider**, Wellesley,
MA (US)

(73) Assignee: **Staples The Office Superstore, Inc.**,
Framingham, MA (US)

(**) Term: **14 Years**

(21) Appl. No.: **29/408,613**

(22) Filed: **Dec. 14, 2011**

(51) **LOC (9) Cl.** **19-06**

(52) **U.S. Cl.**
USPC **D19/54**

(58) **Field of Classification Search**
USPC D14/411; D19/35, 36, 41-51, 54-58;
24/11 F, 11 P, 11 R; 401/52, 99-109,
401/192, 195, 196, 124, 131, 132, 136, 137,
401/208, 258; D28/7, 76, 88
See application file for complete search history.

(56) **References Cited**

U.S. PATENT DOCUMENTS

D160,180 S *	9/1950	Kovacs	D19/49
D196,993 S *	11/1963	Green	D19/54
D207,190 S *	3/1967	Darst	D19/49
3,332,400 A *	7/1967	Sonntag	401/230
D240,401 S *	7/1976	Armstrong	D9/600
D247,246 S *	2/1978	Verona	D19/45
D286,791 S *	11/1986	Booker	D19/51
D333,152 S *	2/1993	Anavil et al.	D19/55

D357,698 S *	4/1995	Hepler	D19/36
D378,026 S *	2/1997	Balazs	D4/121
D397,149 S *	8/1998	Perrin et al.	D19/51
D417,698 S *	12/1999	Tsuchida	D19/45
D453,589 S *	2/2002	Breidenbach et al.	D28/76
D491,810 S *	6/2004	Kostow	D9/504
D527,050 S *	8/2006	Hirota	D19/51
D572,306 S *	7/2008	Qiu et al.	D19/36
D585,600 S *	1/2009	Althoff et al.	D28/76
D610,195 S *	2/2010	Liu	D19/41
D611,539 S *	3/2010	Zhang	D19/51
D628,646 S *	12/2010	Zhano	D19/51
D632,183 S *	2/2011	Montemayo et al.	D9/600
D635,621 S *	4/2011	Montemayo et al.	D9/600
D666,671 S *	9/2012	Liu	D19/51

* cited by examiner

Primary Examiner — Elizabeth Albert

(74) *Attorney, Agent, or Firm* — Wolf, Greenfield & Sacks,
P.C.; Randy J. Pritzker

(57) **CLAIM**

The ornamental design for pen, as shown and described.

DESCRIPTION

FIG. 1 is a side, top, perspective view of a pen showing our new design;

FIG. 2 is a left side view thereof, the right side view being a mirror image of the left side view;

FIG. 3 is a top view thereof;

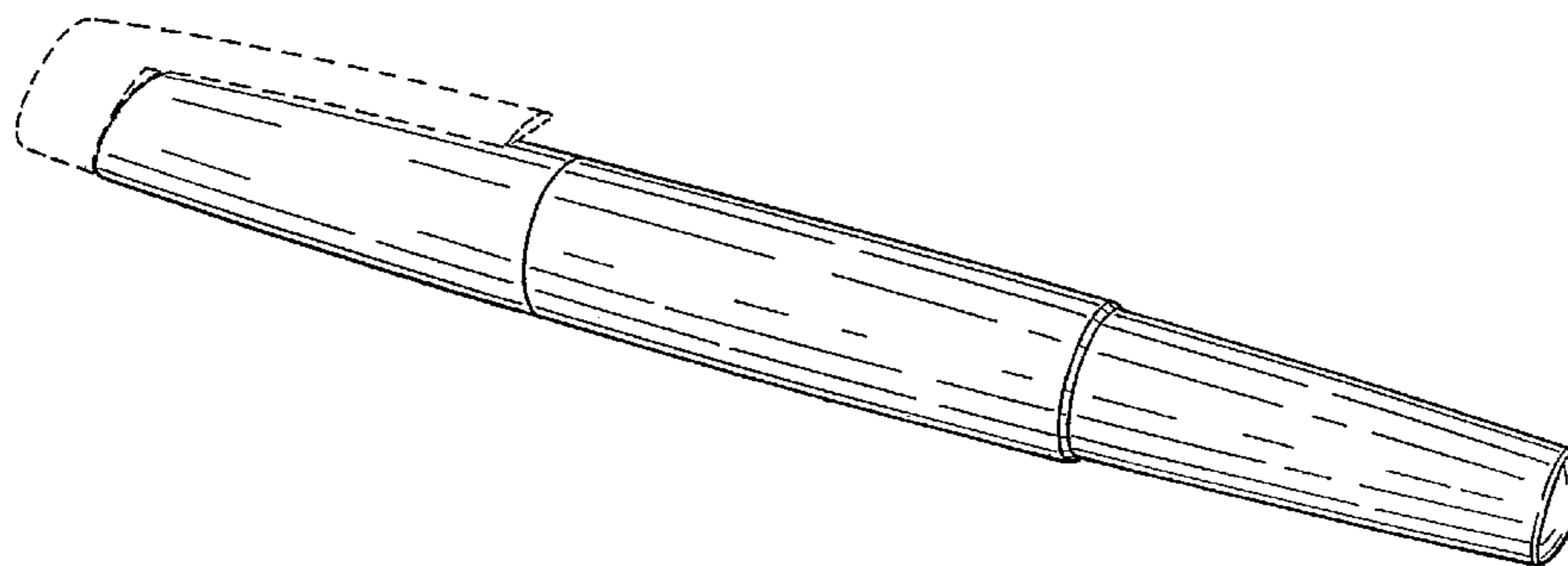
FIG. 4 is a bottom view thereof;

FIG. 5 is a front view thereof; and,

FIG. 6 is a rear view thereof.

The broken lines showing the clip in FIGS. 1-6 are included for the purpose of showing portions of the pen that form no part of the claimed design.

1 Claim, 2 Drawing Sheets



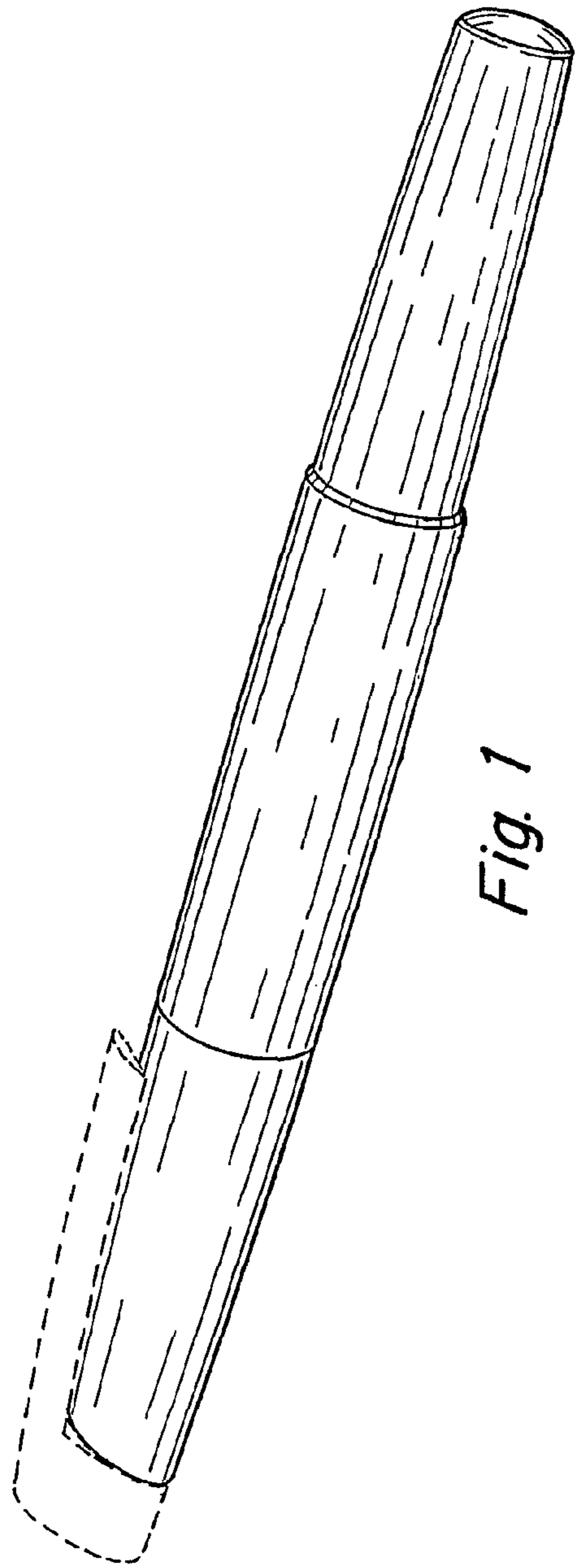


Fig. 1

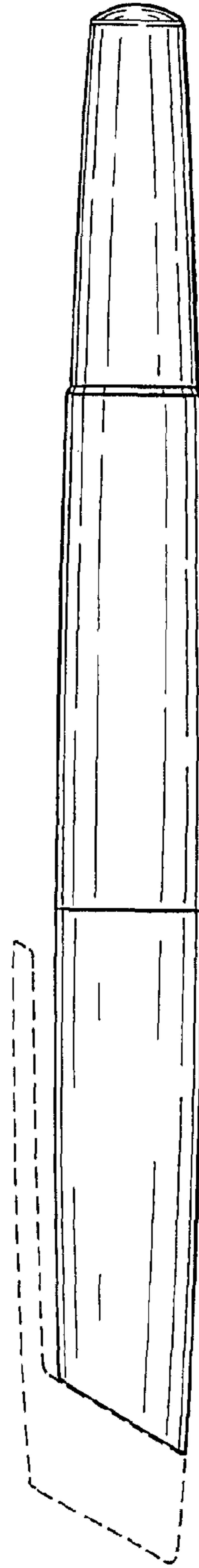


Fig. 2



Fig. 3

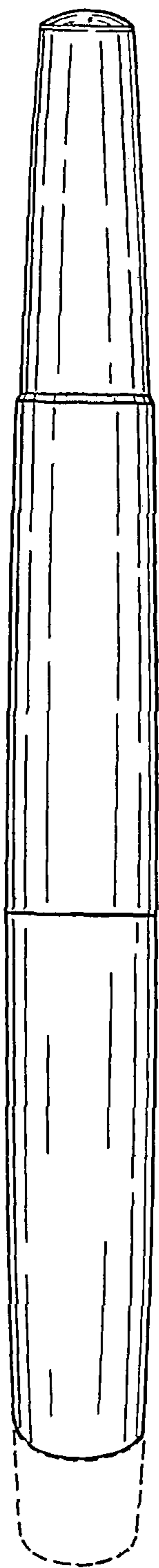


Fig. 4

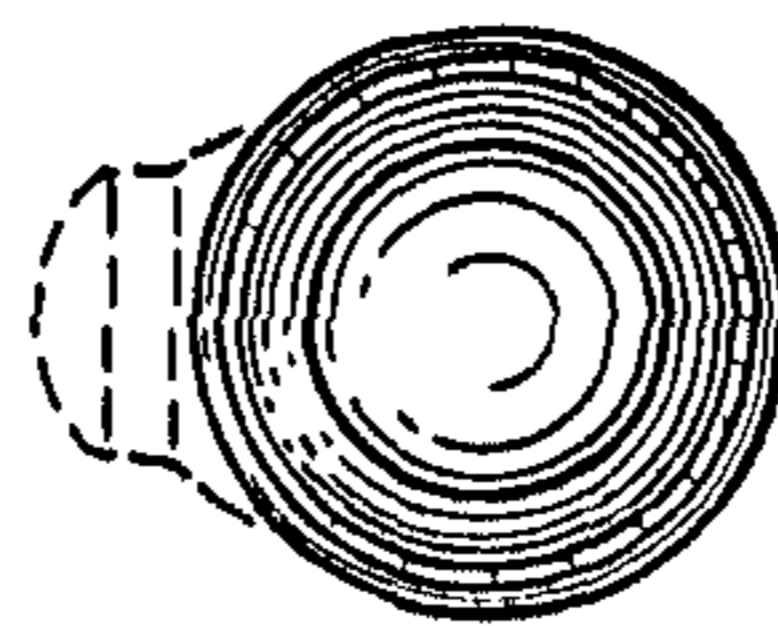


Fig. 6

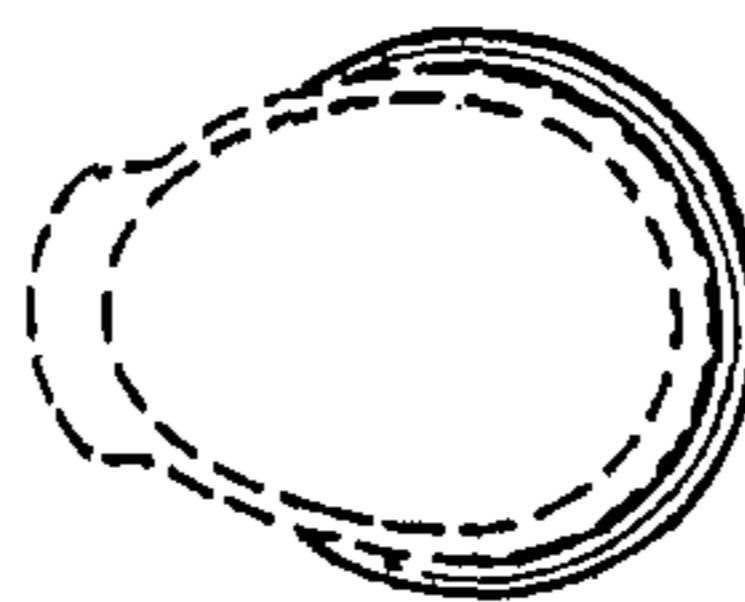


Fig. 5