

US00D694819S

(12) **United States Design Patent**
Landa et al.

(10) **Patent No.:** **US D694,819 S**
(45) **Date of Patent:** **** Dec. 3, 2013**

(54) **PRINTER**

FOREIGN PATENT DOCUMENTS

(75) Inventors: **Benzion Landa**, Nes Ziona (IL); **Elisha Avram Tal**, Harey Yehuda (IL); **Eitan Sharif**, Kibbutz Gesher-Haziv (IL)

EM 002121681-0003 * 10/2012
EM 002121681-0009 * 10/2012

(73) Assignee: **Landa Corporation Ltd.**, Rehovot (IL)

OTHER PUBLICATIONS

(**) Term: **14 Years**

(21) Appl. No.: **29/419,665**

USPTO office action for U.S. Appl. No. 29/419,654—office action mailed on Mar. 8, 2013.
USPTO office action for U.S. Appl. No. 29/419,659—office action mailed on Mar. 11, 2013.
USPTO office action for U.S. Appl. No. 29/419,668—office action mailed on Mar. 8, 2013.
USPTO office action for U.S. Appl. No. 29/419,873—office action mailed on Mar. 11, 2013.
USPTO office action for U.S. Appl. No. 29/419,875—office action mailed on Mar. 14, 2013.

(22) Filed: **Apr. 30, 2012**

(51) **LOC (9) Cl.** **18-02**

(52) **U.S. Cl.**

USPC **D18/53**

(58) **Field of Classification Search**

USPC D18/53, 50, 55, 56, 59, 36-39, 46-49;
D14/301, 303; 270/1.01; 271/8.1;
101/2; 358/1.1; 355/78; 399/361

See application file for complete search history.

(Continued)

Primary Examiner — Bridget L Eland

(74) *Attorney, Agent, or Firm* — 4th Dimension IP; Marc Van Dyke

(57) **CLAIM**

The ornamental design for a printer, as shown and described.

DESCRIPTION

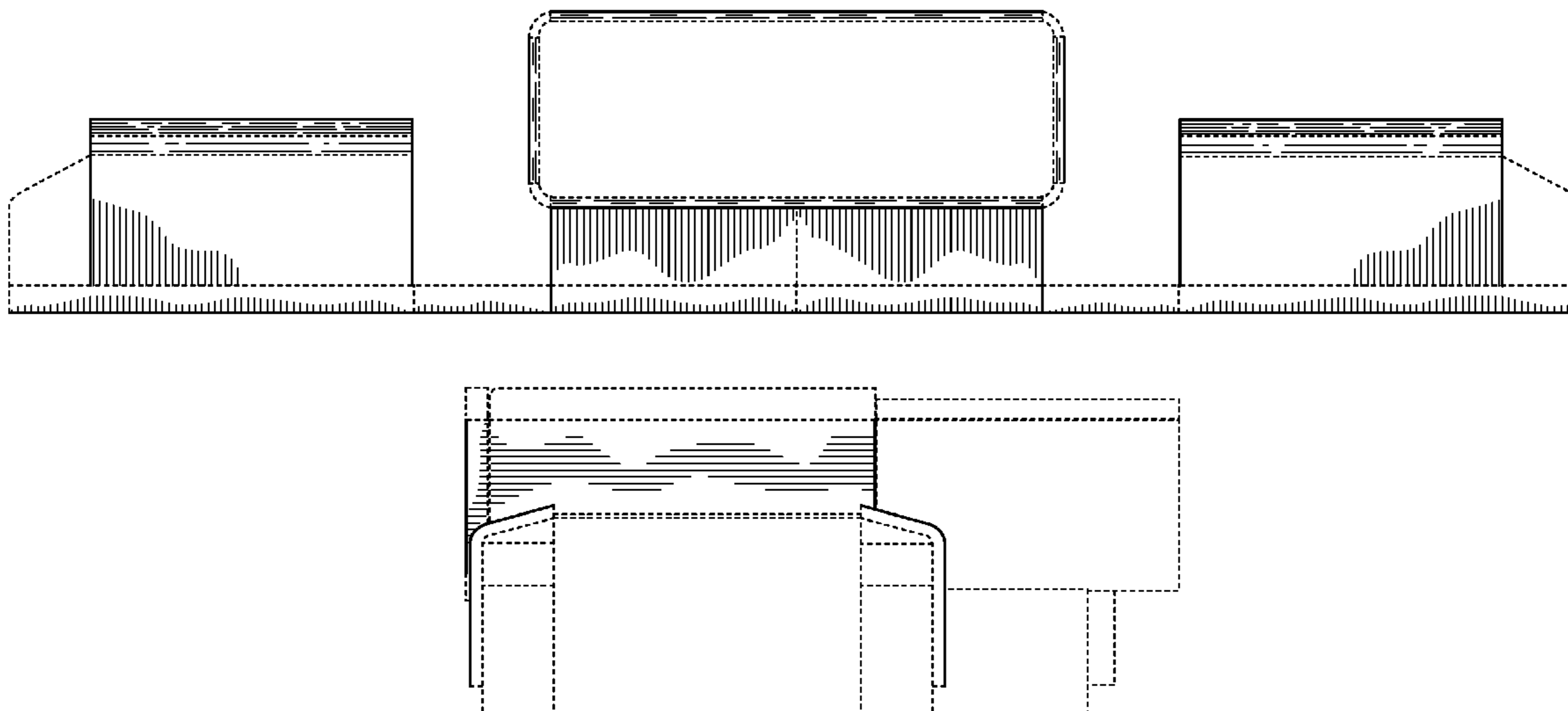
(56) **References Cited**

U.S. PATENT DOCUMENTS

D236,378	S	*	8/1975	Yanofski	D18/38
D236,379	S	*	8/1975	Yanofsky	D18/38
D250,952	S	*	1/1979	Spowart et al.	D18/53
5,103,730	A	*	4/1992	Sarda	101/425
D357,499	S	*	4/1995	Karafuji et al.	D18/53
D357,934	S	*	5/1995	Karafuji et al.	D18/53
D412,525	S	*	8/1999	Tachibana et al.	D18/53
D416,572	S	*	11/1999	Ishida et al.	D18/53
D453,785	S	*	2/2002	Grossmann	D18/48
D621,442	S	*	8/2010	Kachi et al.	D18/39
D650,417	S	*	12/2011	Brown et al.	D18/53
D663,768	S	*	7/2012	Yanagisawa et al.	D18/53
D673,212	S	*	12/2012	Okamoto	D18/53

FIG. 1 is a front view of a printer showing our new design; FIG. 2 is a back view of the printer shown in FIG. 1; FIG. 3 is a right view of the printer shown in FIG. 1; FIG. 4 is a left view of the printer shown in FIG. 1; FIG. 5 is a top view of the printer shown in FIG. 1; FIG. 6 is a bottom view of the printer shown in FIG. 1; and, FIG. 7 is a perspective view of the printer shown in FIG. 1. The broken lines immediately adjacent to the shaded areas, represent the bounds of the claimed design while all other broken lines are directed to environment and are for illustrative purposes only; the broken lines form no part of the claimed design.

1 Claim, 7 Drawing Sheets



(56)

References Cited

OTHER PUBLICATIONS

USPTO office action for U.S. Appl. No. 29/433,159—office action mailed on Mar. 8, 2013.

Response to USPTO office action for U.S. Appl. No. 29/419,654—response filed on May 31, 2013.

Response to USPTO office action for U.S. Appl. No. 29/419,659—response filed on May 31, 2013.

Response to USPTO office action for U.S. Appl. No. 29/419,668—response filed on May 31, 2013.

Response to USPTO office action for U.S. Appl. No. 29/419,873—response filed on May 31, 2013.

Response to USPTO office action for U.S. Appl. No. 29/419,875—response filed on May 31, 2013.

Response to USPTO office action for U.S. Appl. No. 29/433,159—response filed on May 31, 2013.

Supplemental response to USPTO office action for U.S. Appl. No. 29/433,159—supplemental response filed on Jun. 6, 2013.

PRV Interpat (Swedish patent office consultancy services) Search Report for drawings of Design U.S. Appl. No. 29/419,654, filed Apr. 30, 2012—search report mailed Sep. 7, 2012.

PRV Interpat (Swedish patent office consultancy services) Search Report for drawings of Design U.S. Appl. No. 29/419,659, filed Apr. 30, 2012—search report mailed Sep. 7, 2012.

PRV Interpat (Swedish patent office consultancy services) Search Report for drawings of Design U.S. Appl. No. 29/419,665, filed Apr. 30, 2012—search report mailed Sep. 7, 2012.

PRV Interpat (Swedish patent office consultancy services) Search Report for drawings of Design U.S. Appl. No. 29/419,668, filed Apr. 30, 2012—search report mailed Sep. 7, 2012.

PRV Interpat (Swedish patent office consultancy services) Search Report for drawings of Design U.S. Appl. No. 29/419,873, filed May 2, 2012—search report mailed Sep. 7, 2012.

PRV Interpat (Swedish patent office consultancy services) Search Report for drawings of Design U.S. Appl. No. 29/419,875, filed May 2, 2012—search report mailed Sep. 7, 2012.

* cited by examiner

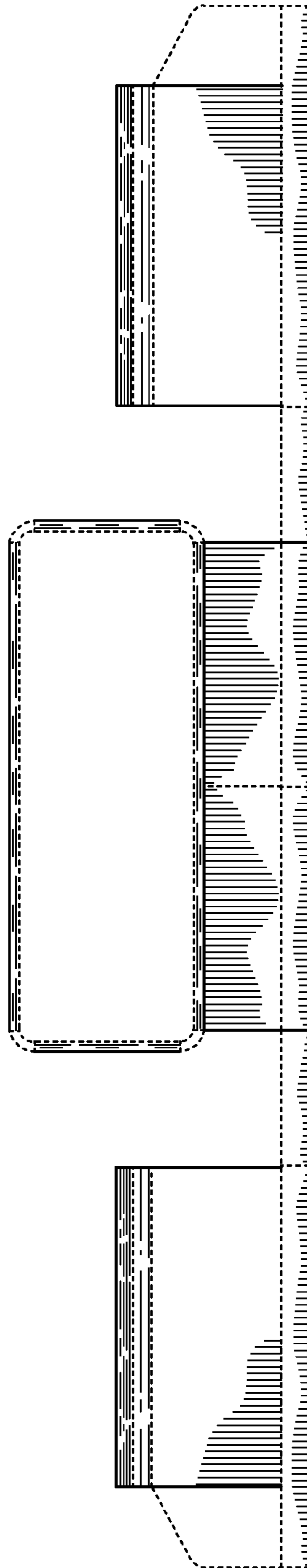


Fig. 1

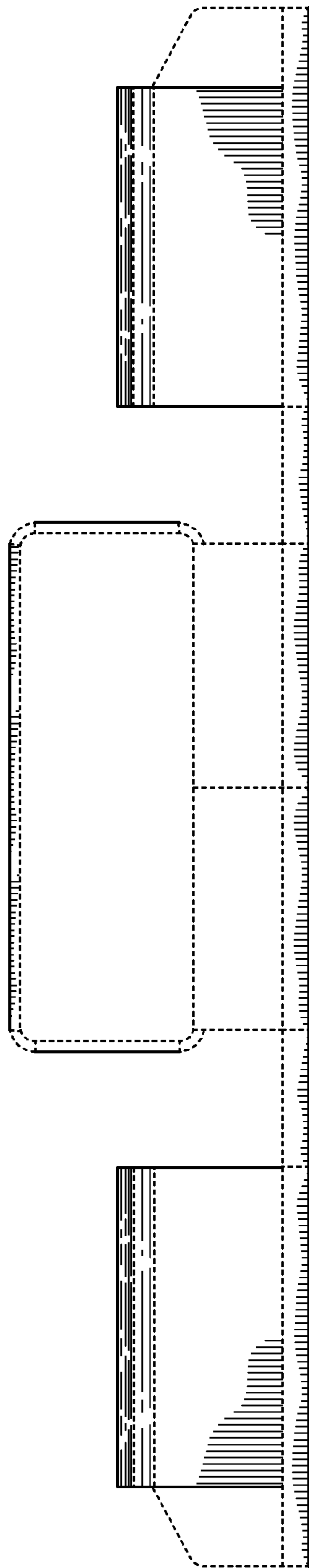


Fig. 2

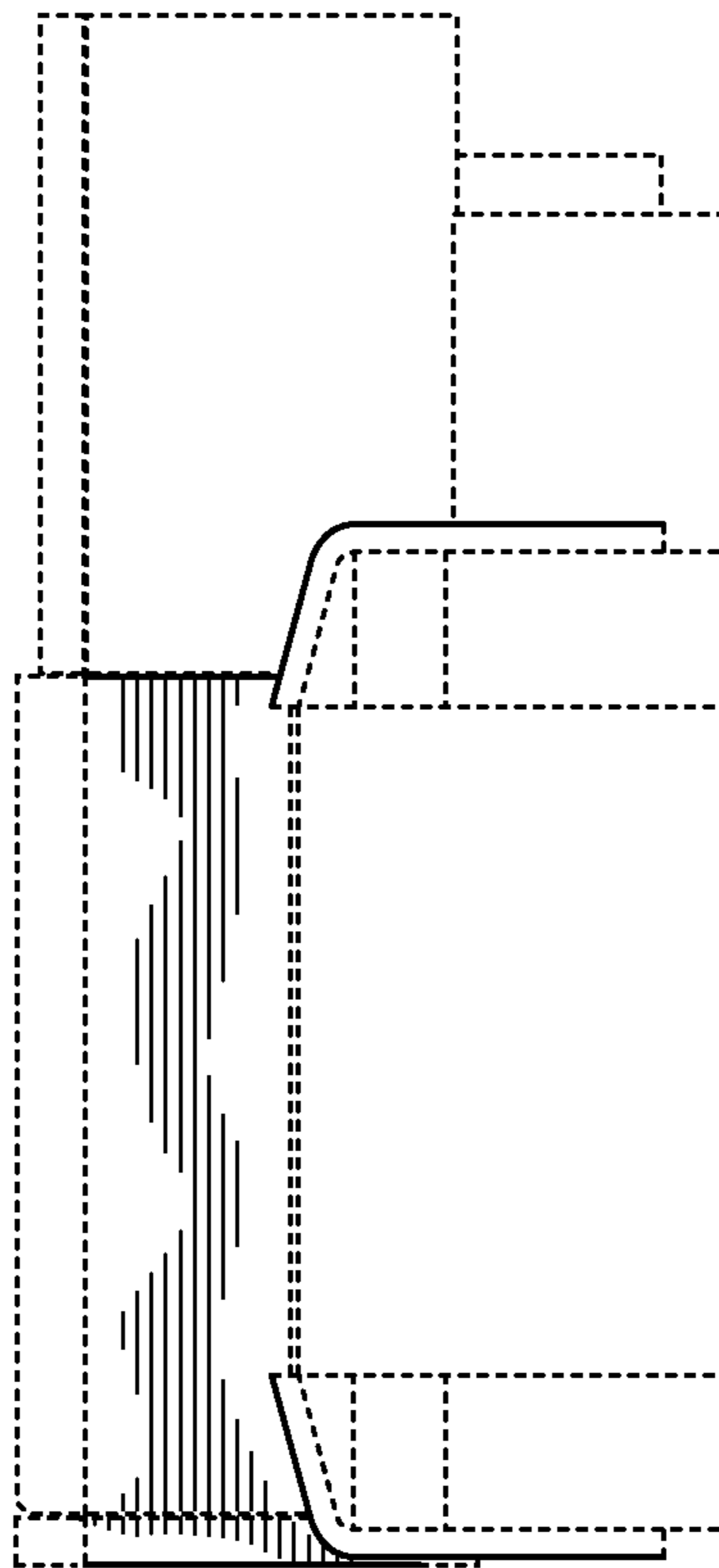


Fig. 3

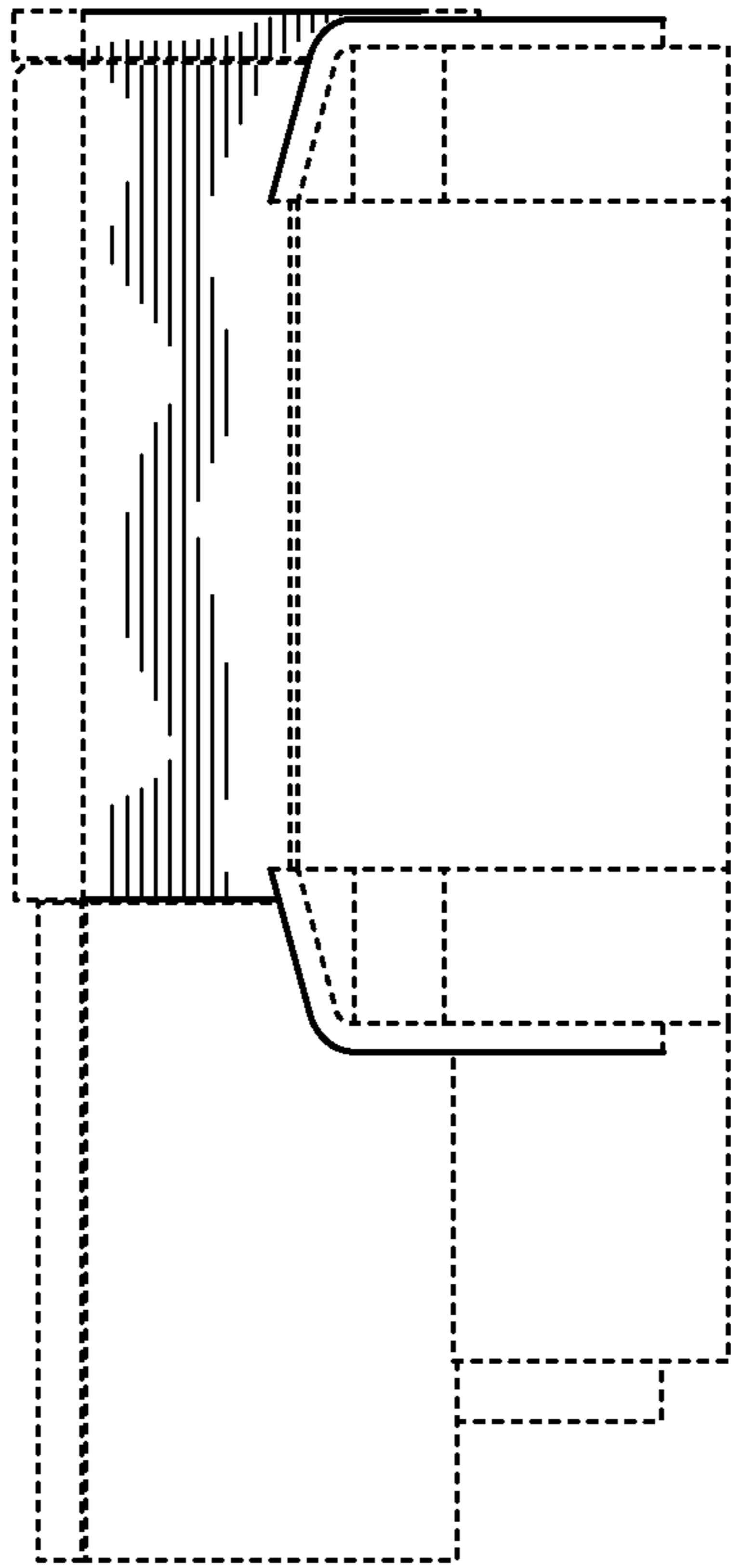


Fig. 4

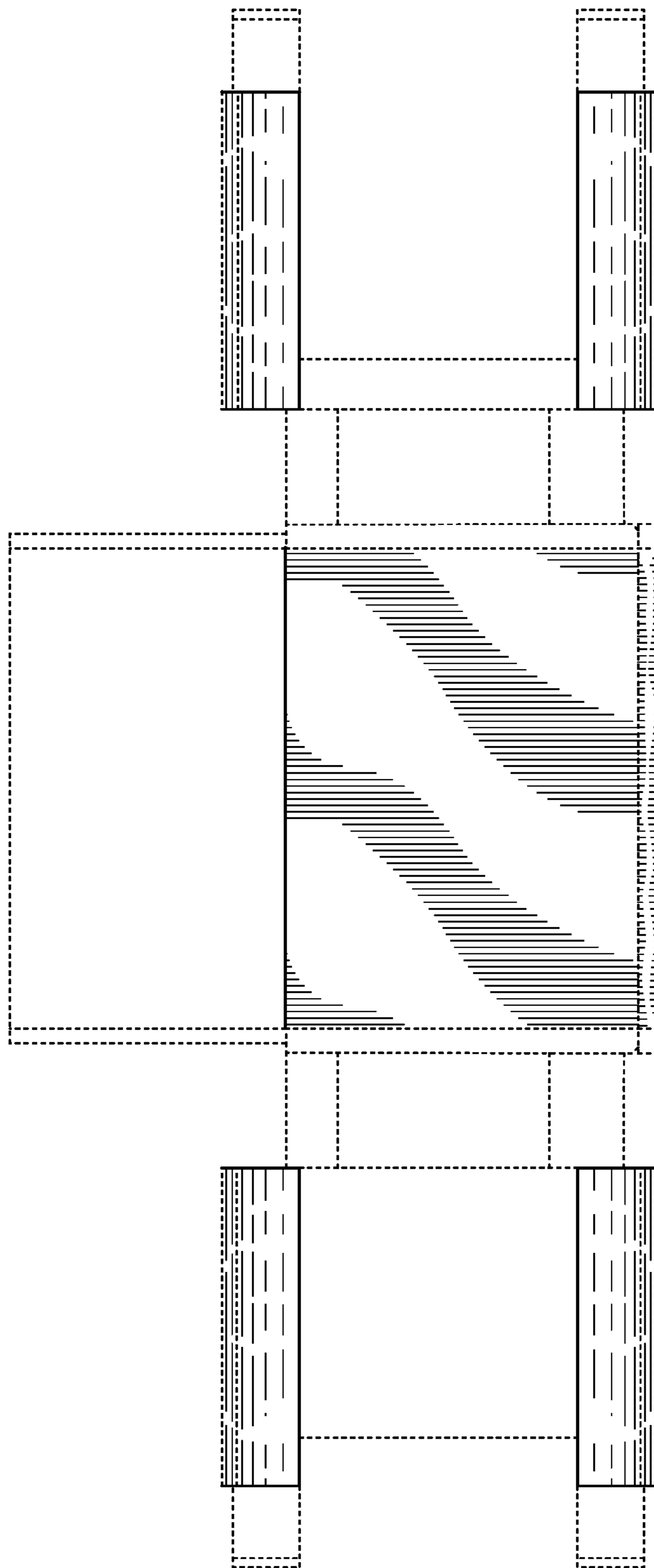


Fig. 5

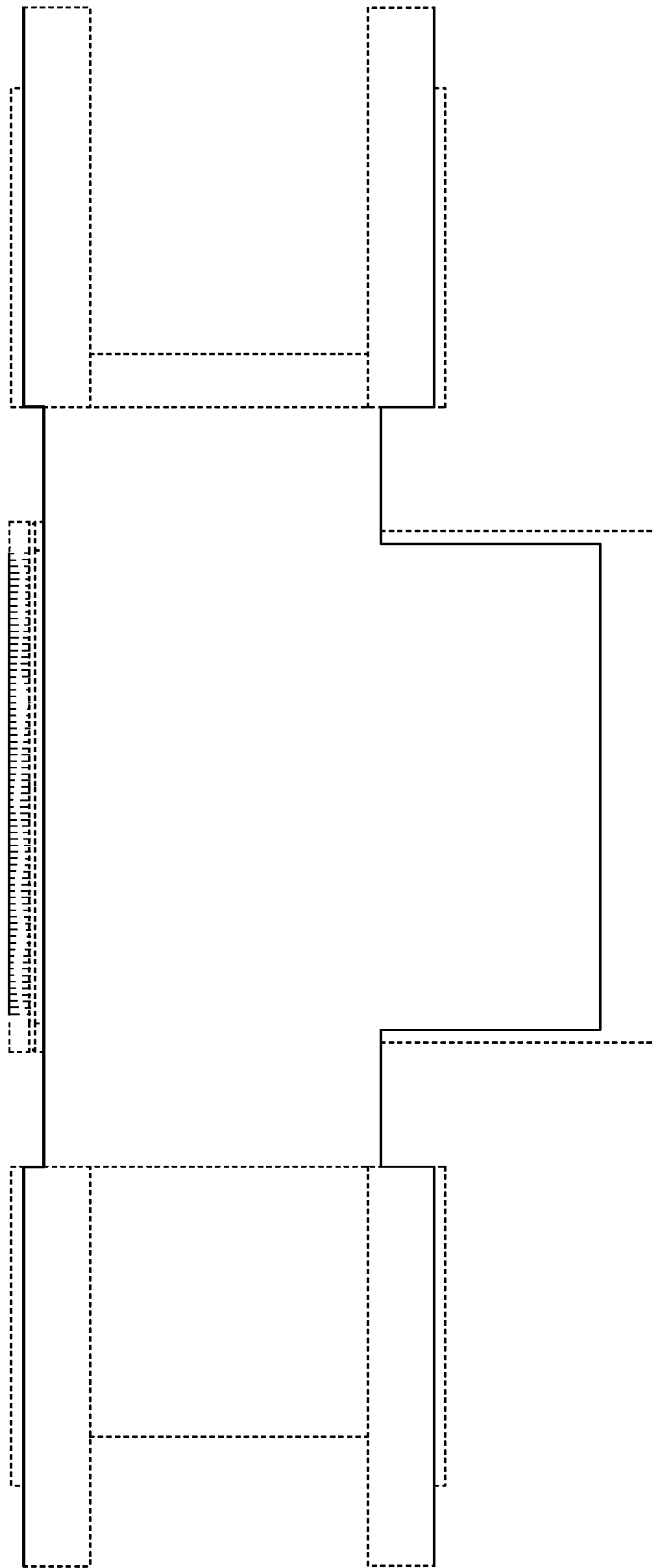


Fig. 6

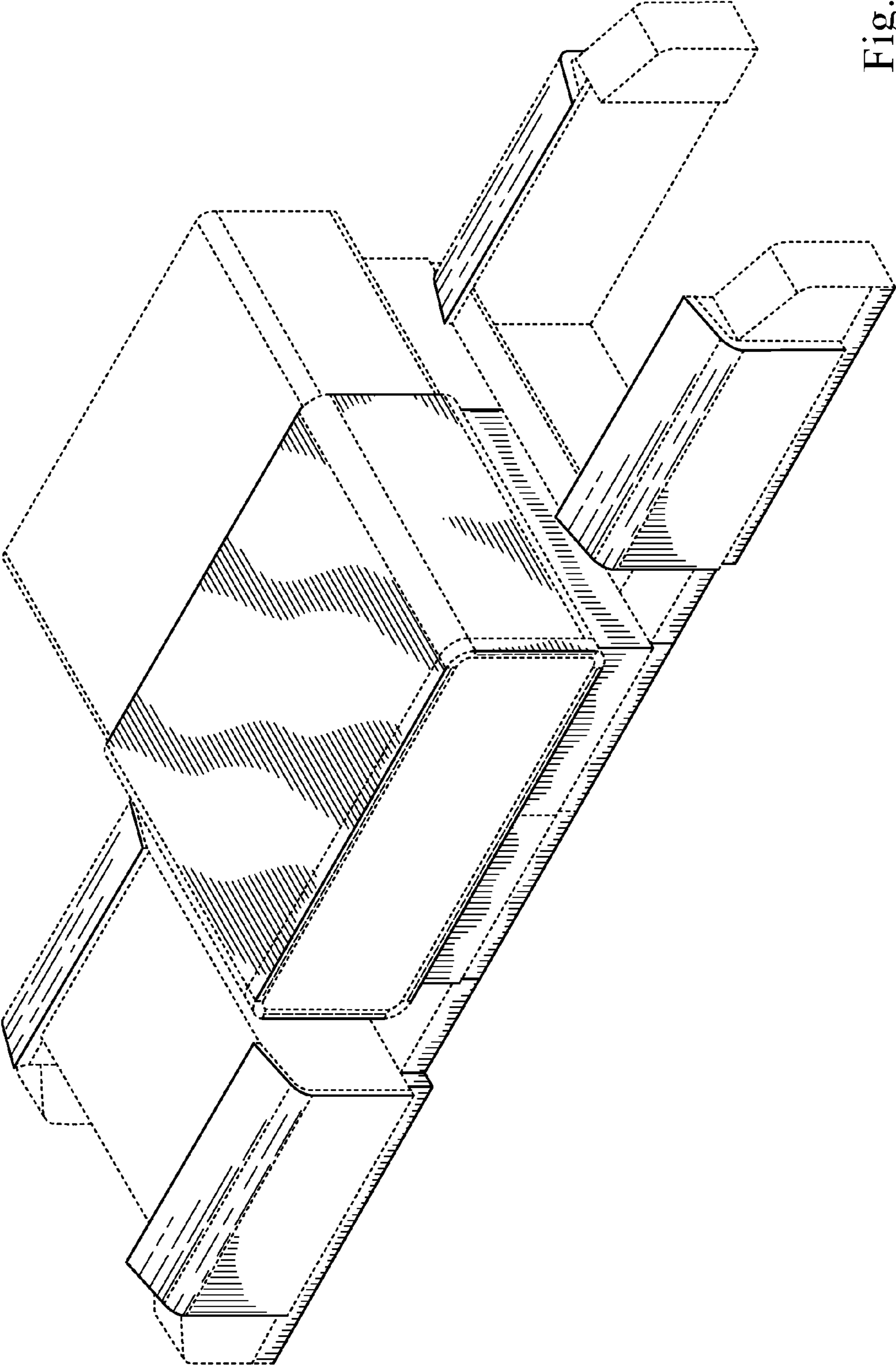


Fig. 7