

US00D694817S

(12) **United States Design Patent**  
**Adam et al.**

(10) **Patent No.:** **US D694,817 S**

(45) **Date of Patent:** **\*\* Dec. 3, 2013**

(54) **LABEL PRINTER**

(75) Inventors: **Peter Adam**, Kirkland, WA (US); **Peter Botten**, Lakewood, OH (US); **Lawrence Srnka**, Northfield Center, OH (US)

(73) Assignee: **Codonics, Inc.**, Middleburg Heights, OH (US)

(\*\*) Term: **14 Years**

(21) Appl. No.: **29/412,139**

(22) Filed: **Jan. 31, 2012**

(51) **LOC (9) Cl.** ..... **18-02**

(52) **U.S. Cl.**  
USPC ..... **D18/50; D18/19**

(58) **Field of Classification Search**  
USPC ..... D18/14-21, 6-7, 50, 54, 56; D19/68;  
D14/347, 426; 358/1.1, 1.6, 1.8;  
101/111, 288; 156/DIG. 48, DIG. 49  
See application file for complete search history.

(56) **References Cited**

**U.S. PATENT DOCUMENTS**

D373,347 S \* 9/1996 Ashley et al. .... D14/343  
D443,890 S \* 6/2001 Sato et al. .... D18/50  
D466,551 S \* 12/2002 Nagai ..... D18/50  
D509,845 S \* 9/2005 Miyauchi et al. .... D18/50

D526,349 S \* 8/2006 Granaas ..... D18/54  
D542,337 S \* 5/2007 Nakata et al. .... D18/19  
D576,670 S \* 9/2008 Sumi ..... D18/50  
D589,086 S \* 3/2009 Nakata et al. .... D18/19  
7,959,080 B2 \* 6/2011 Livolsi et al. .... 235/435  
D663,767 S \* 7/2012 Inada ..... D18/19  
2002/0030830 A1 \* 3/2002 Day et al. .... 358/1.8  
2002/0066349 A1 \* 6/2002 Furuya ..... 83/614  
2012/0086958 A1 \* 4/2012 Srnka et al. .... 358/1.6

\* cited by examiner

*Primary Examiner* — Bridget L Eland

(74) *Attorney, Agent, or Firm* — Pearne & Gordon LLP

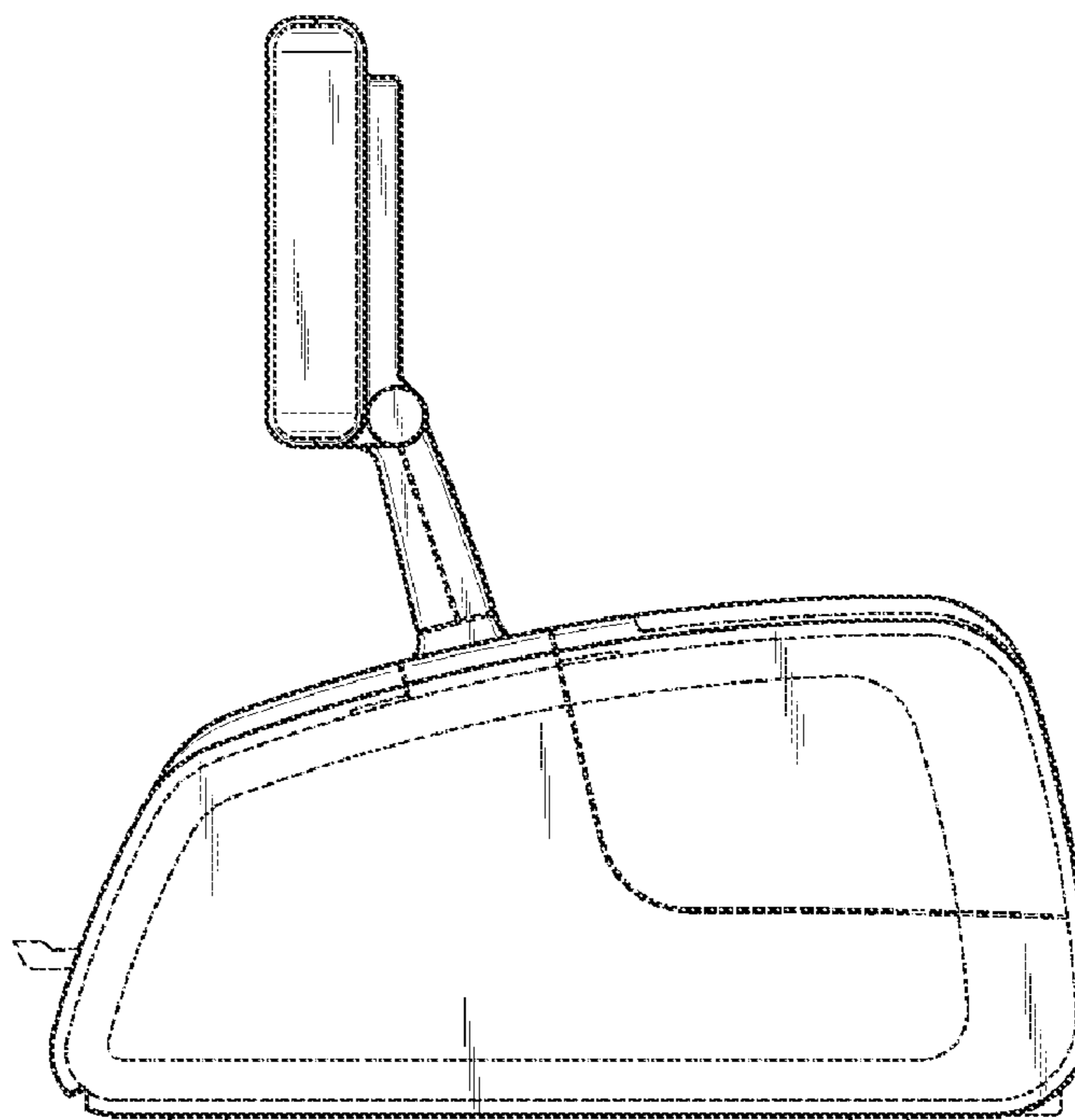
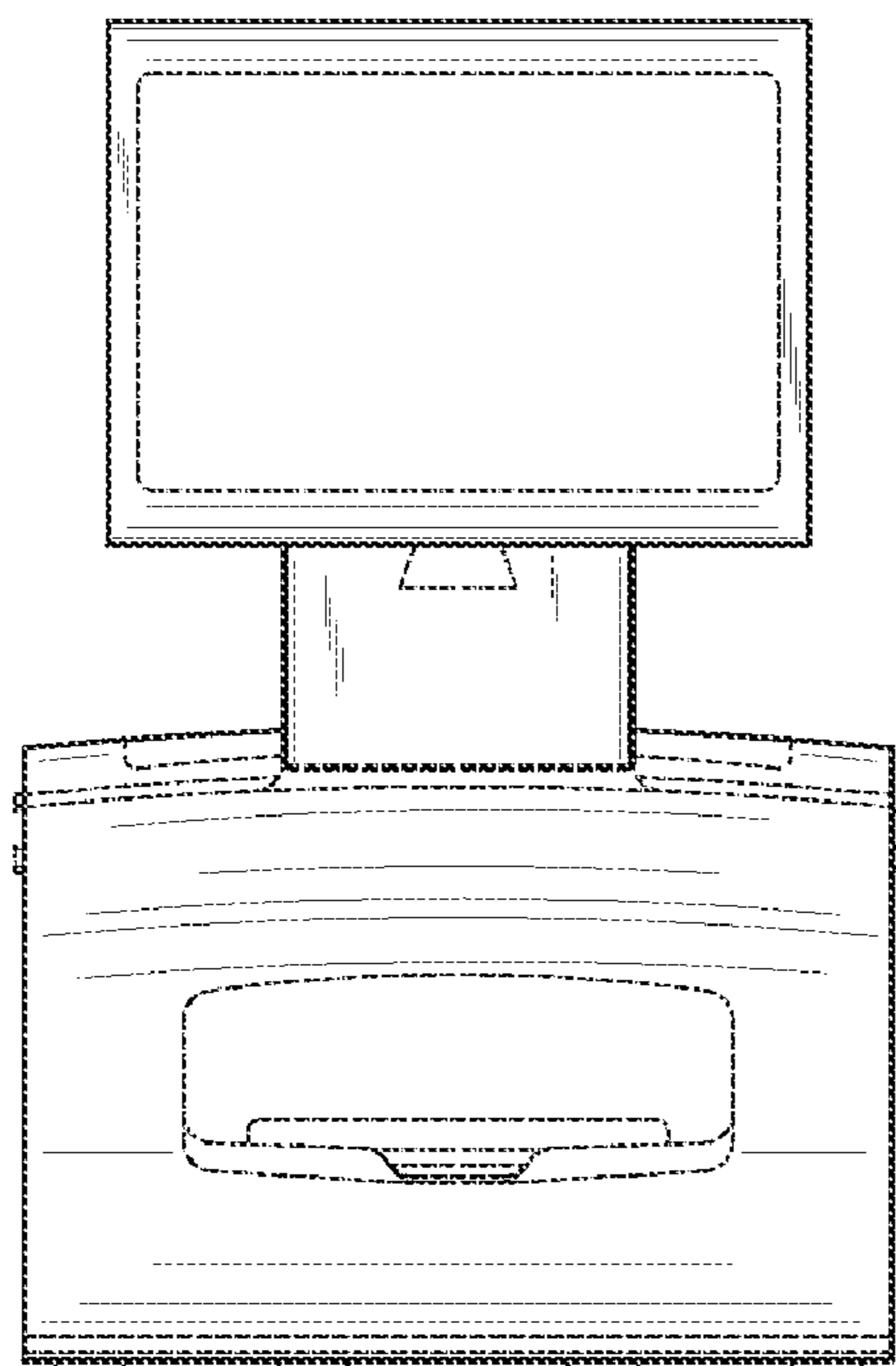
(57) **CLAIM**

The ornamental design for a label printer, as shown and described.

**DESCRIPTION**

FIG. 1 is a top view of my new design;  
FIG. 2 is a front view of my new design;  
FIG. 3 is a right side view thereof;  
FIG. 4 is a left side view thereof;  
FIG. 5 is a back view thereof; and,  
FIG. 6 is a bottom view thereof.  
The broken lines immediately adjacent to the shaded areas that encompass unshaded regions represent the boundaries of the claimed design while all other broken lines are directed to environment and are for illustrative purposes only; the broken lines form no part of the claimed design.

**1 Claim, 2 Drawing Sheets**



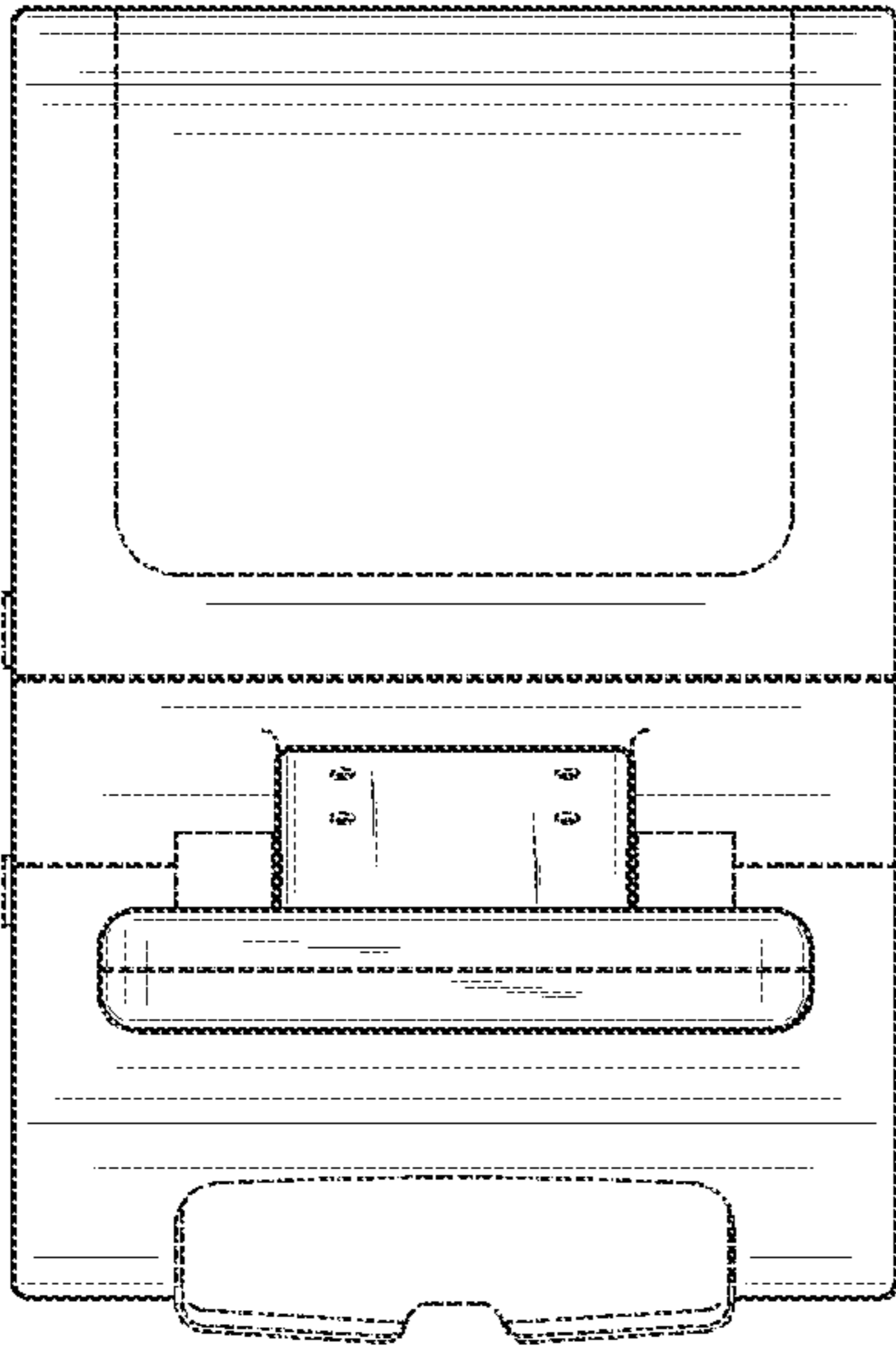


FIG. 1

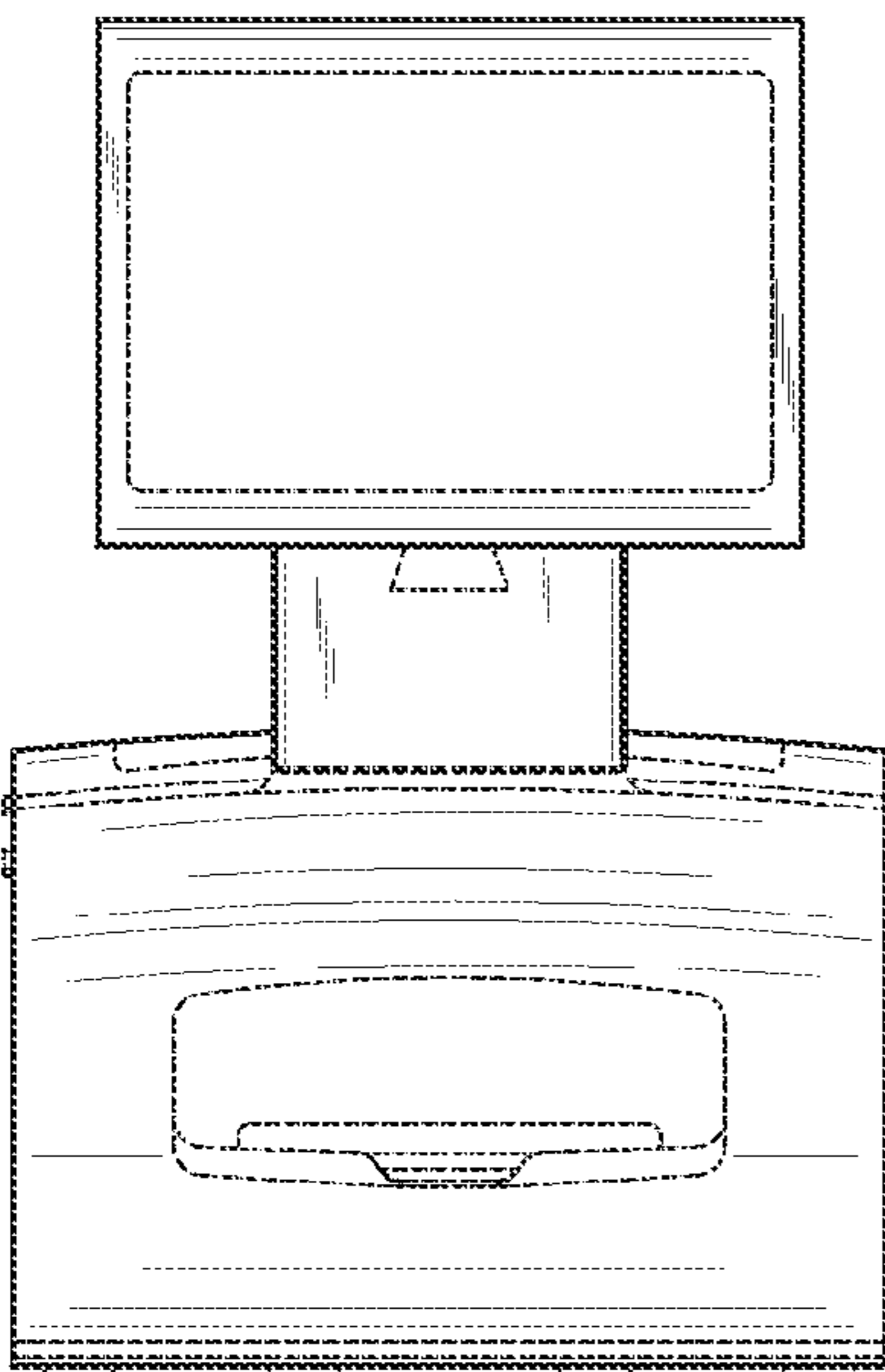


FIG. 2

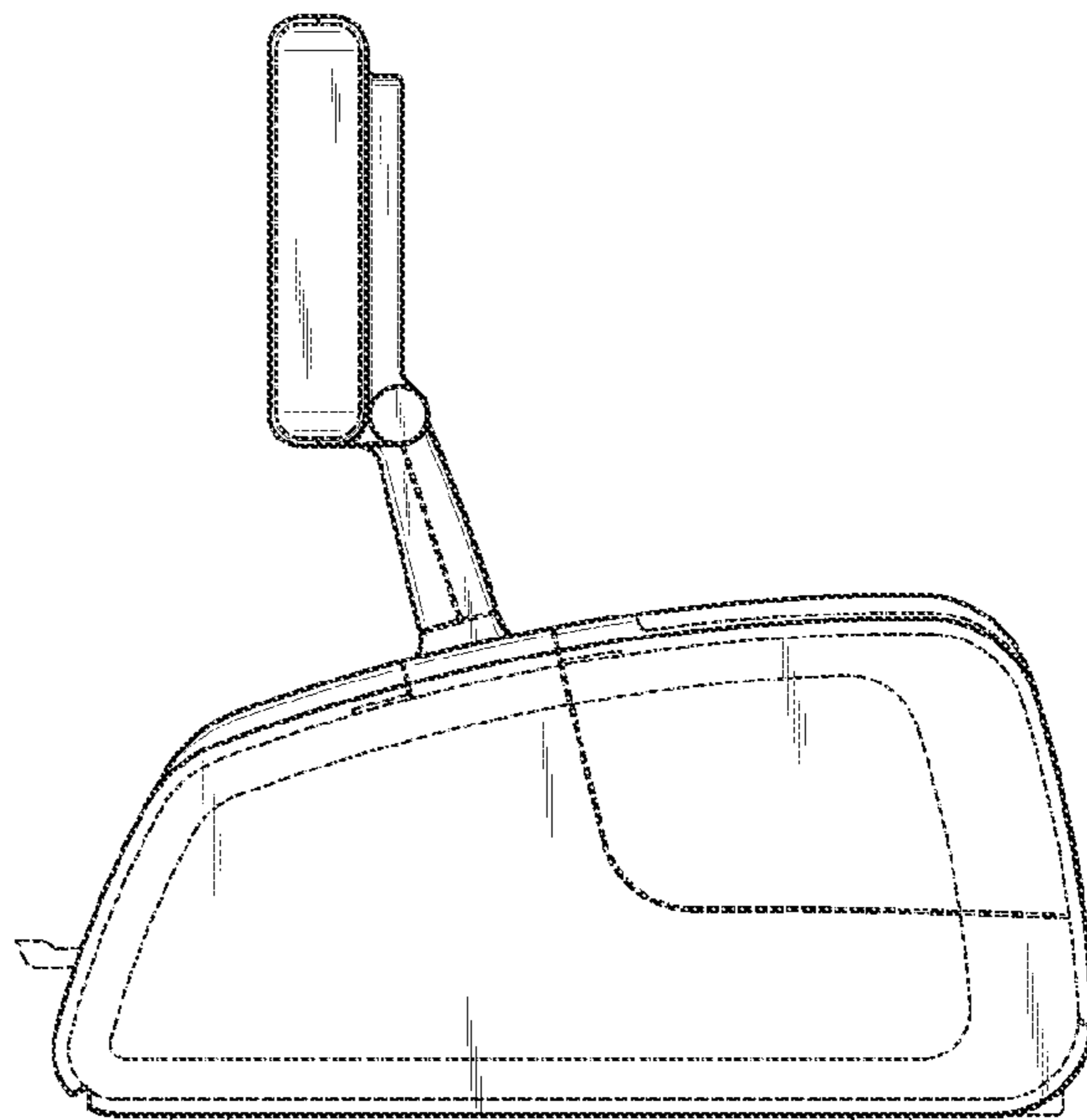


FIG. 3

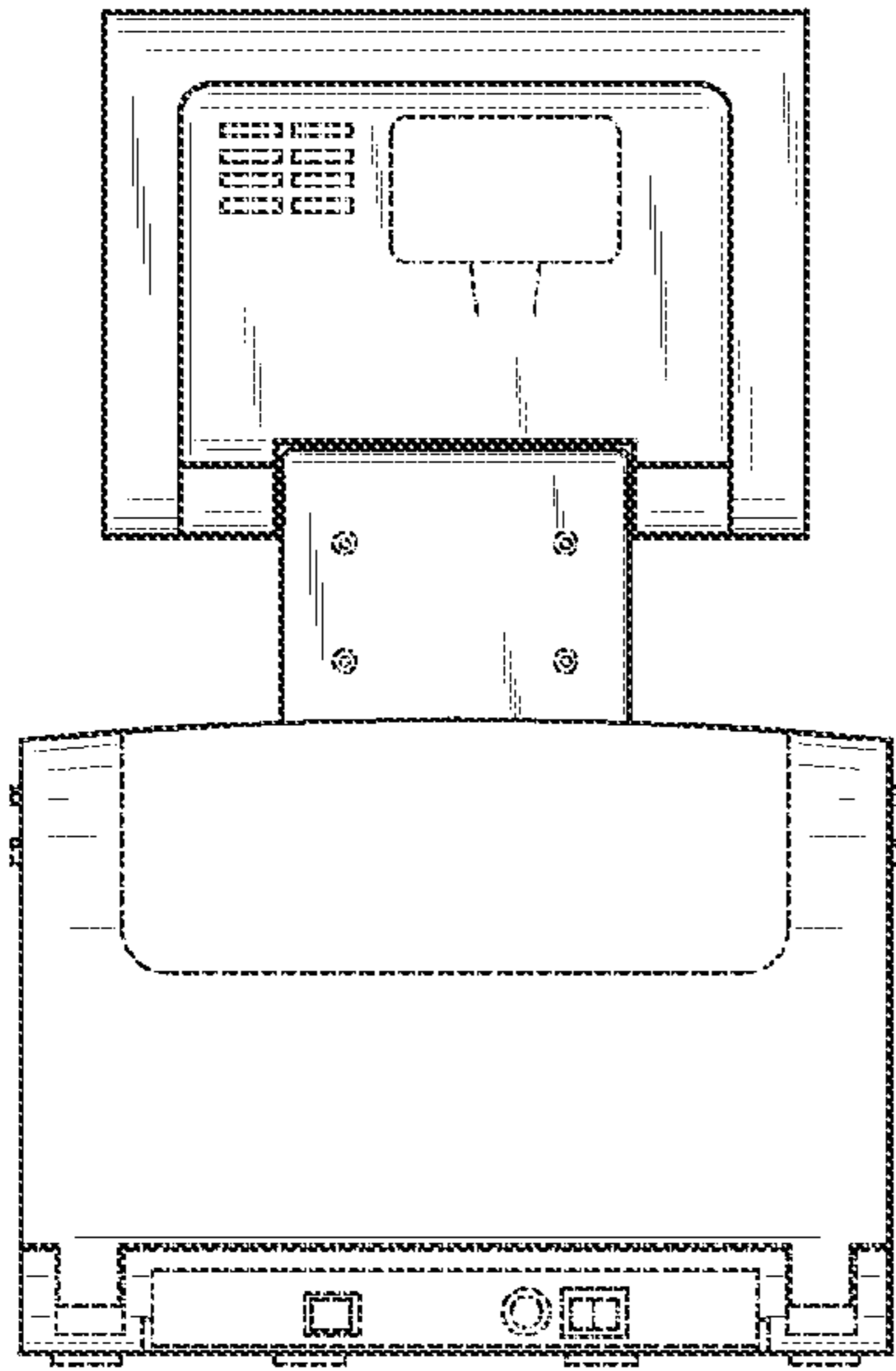


FIG. 5

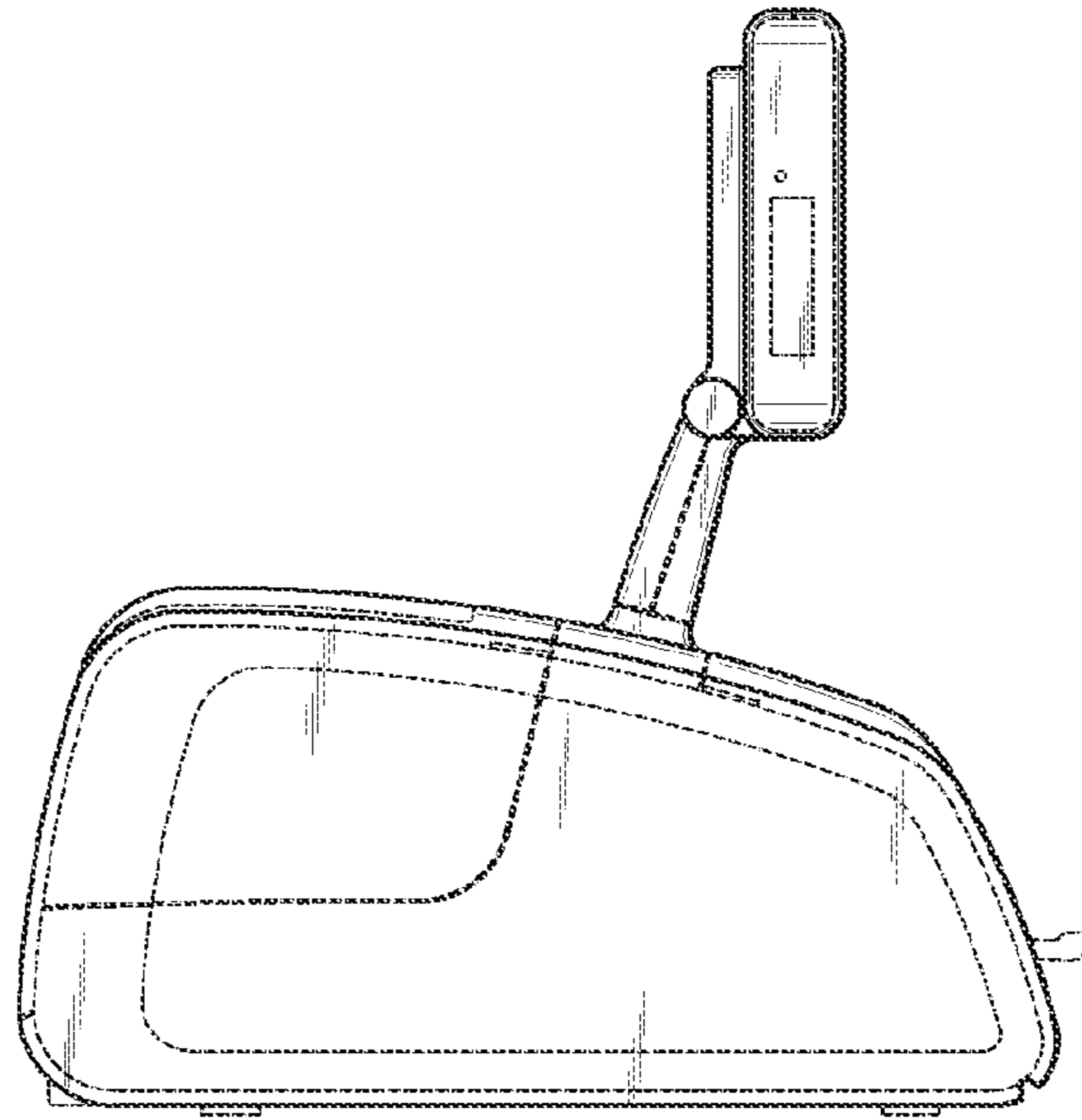


FIG. 4

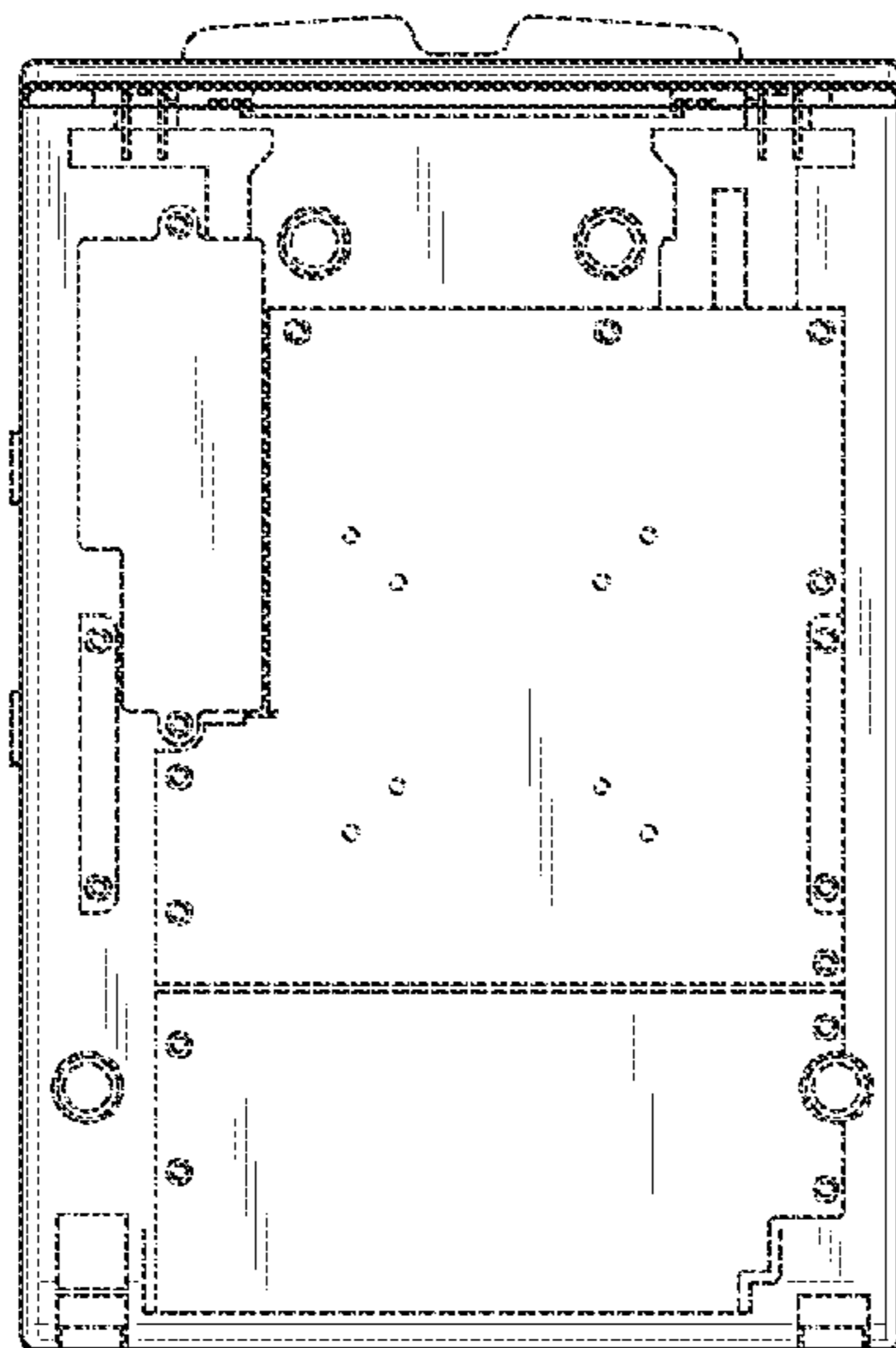


FIG. 6