

US00D694815S

(12) **United States Design Patent**
Fukamachi et al.

(10) **Patent No.:** **US D694,815 S**
(45) **Date of Patent:** **** Dec. 3, 2013**

(54) **TONER CARTRIDGE**

(75) Inventors: **Yasuo Fukamachi**, Nagoya (JP);
Motoaki Mushika, Hashima (JP);
Fumikazu Sato, Konan (JP)

(73) Assignee: **Brother Industries, Ltd.**, Nagoya (JP)

(**) Term: **14 Years**

(21) Appl. No.: **29/416,779**

(22) Filed: **Mar. 27, 2012**

(30) **Foreign Application Priority Data**

Jan. 27, 2012 (JP) 2012-1577

(51) **LOC (9) Cl.** **16-03**

(52) **U.S. Cl.**
USPC **D18/43**

(58) **Field of Classification Search**
USPC D14/471; D18/12, 36, 40, 43, 44, 56;
222/DIG. 1; 347/197, 222; 399/24-28,
399/107-112, 119, 121, 122, 222-224
See application file for complete search history.

(56) **References Cited**

U.S. PATENT DOCUMENTS

D508,945 S	8/2005	Ishii et al.	
D510,947 S	10/2005	Ishii et al.	
D511,542 S	11/2005	Ishii et al.	
D512,454 S	12/2005	Ishii et al.	
D522,564 S	6/2006	Ishii et al.	
D533,215 S *	12/2006	Ishii et al.	D18/43
D550,764 S	9/2007	Ishikawa et al.	
D550,765 S	9/2007	Ishikawa et al.	
D550,766 S	9/2007	Takagi	
D550,767 S	9/2007	Kishi	
D566,169 S	4/2008	Ishikawa et al.	

D601,183 S	9/2009	Ishikawa et al.	
D631,094 S	1/2011	Sato et al.	
D637,225 S	5/2011	Kishi et al.	
D638,051 S	5/2011	Sato et al.	
D638,052 S	5/2011	Sato et al.	
D638,054 S *	5/2011	Sato et al.	D18/43
D638,055 S *	5/2011	Sato et al.	D18/43
D652,862 S	1/2012	Mori et al.	
D666,665 S *	9/2012	Kweon et al.	D18/43
2008/0279583 A1 *	11/2008	Ishii et al.	399/116
2008/0298838 A1 *	12/2008	Sato et al.	399/119
2009/0169248 A1 *	7/2009	Ishii et al.	399/111
2013/0051814 A1 *	2/2013	Itabashi et al.	399/12

* cited by examiner

Primary Examiner — Garth Rademaker

(74) *Attorney, Agent, or Firm* — Oliff & Berridge, PLC

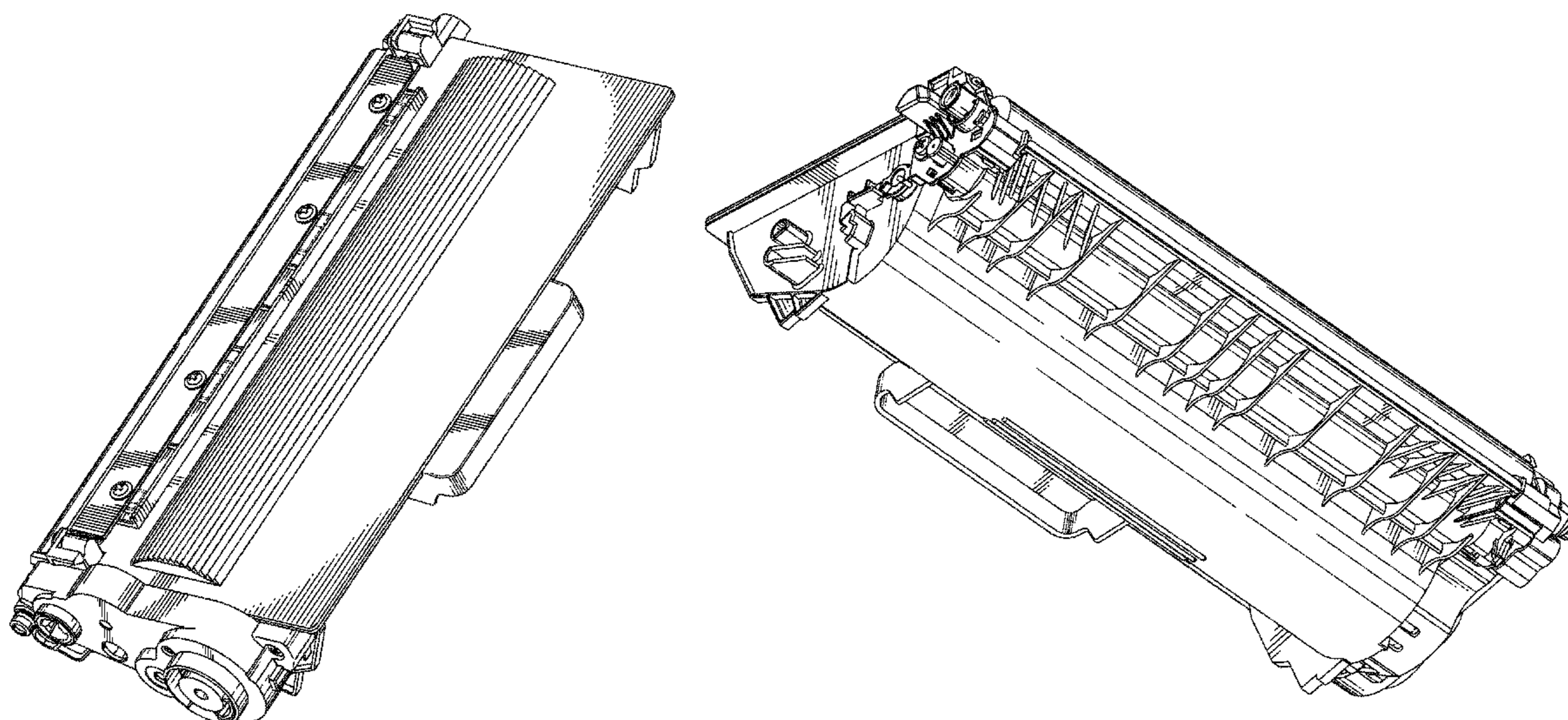
(57) **CLAIM**

The ornamental design for a toner cartridge, as shown and described.

DESCRIPTION

FIG. 1 is a top, front, left-side perspective view of a toner cartridge;
FIG. 2 is a front view thereof;
FIG. 3 is a top view thereof;
FIG. 4 is a right-side view thereof;
FIG. 5 is a left-side view thereof;
FIG. 6 is a rear view thereof;
FIG. 7 is a bottom view thereof;
FIG. 8 is a top, front, right-side perspective view thereof;
FIG. 9 is a bottom, rear, left-side perspective view thereof;
and,
FIG. 10 is a bottom, rear, right-side perspective view thereof.
The broken lines depict portions of the toner cartridge which form no part of the claimed design.

1 Claim, 9 Drawing Sheets



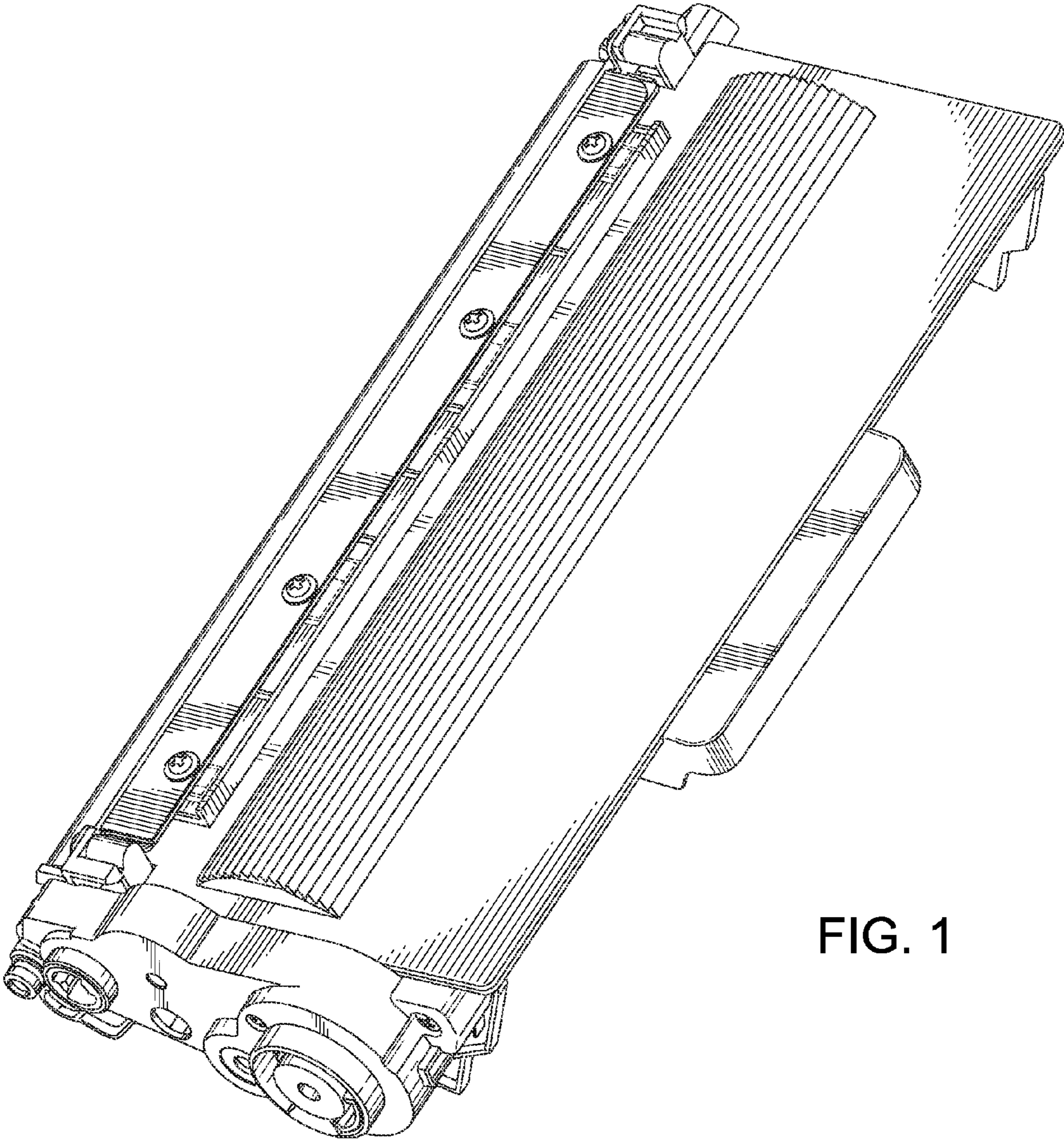


FIG. 1

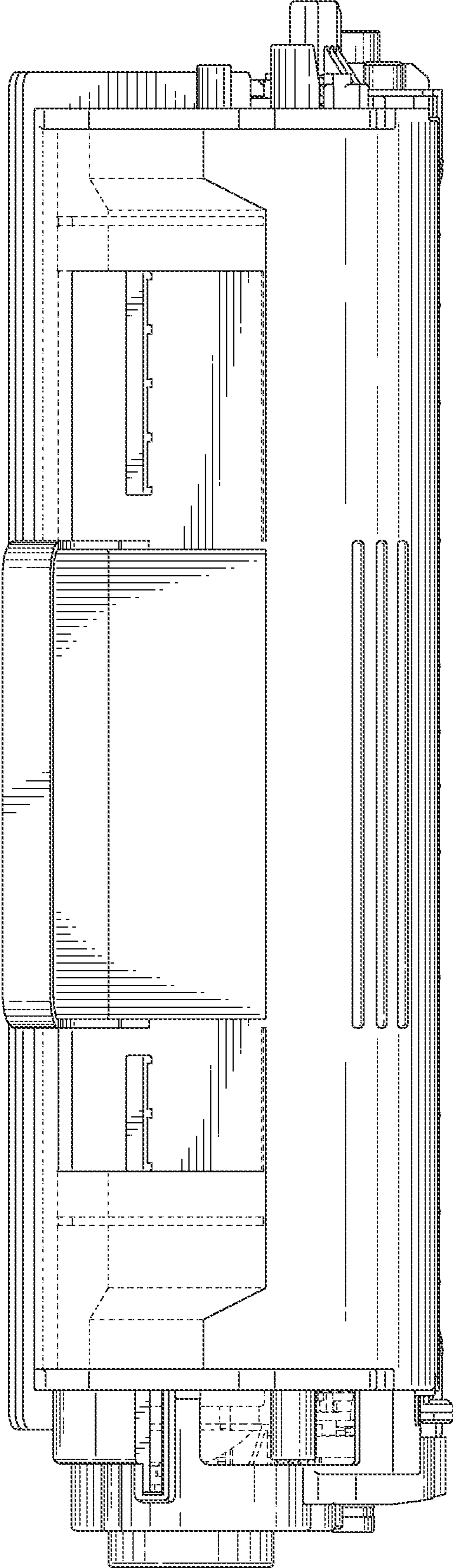


FIG. 2

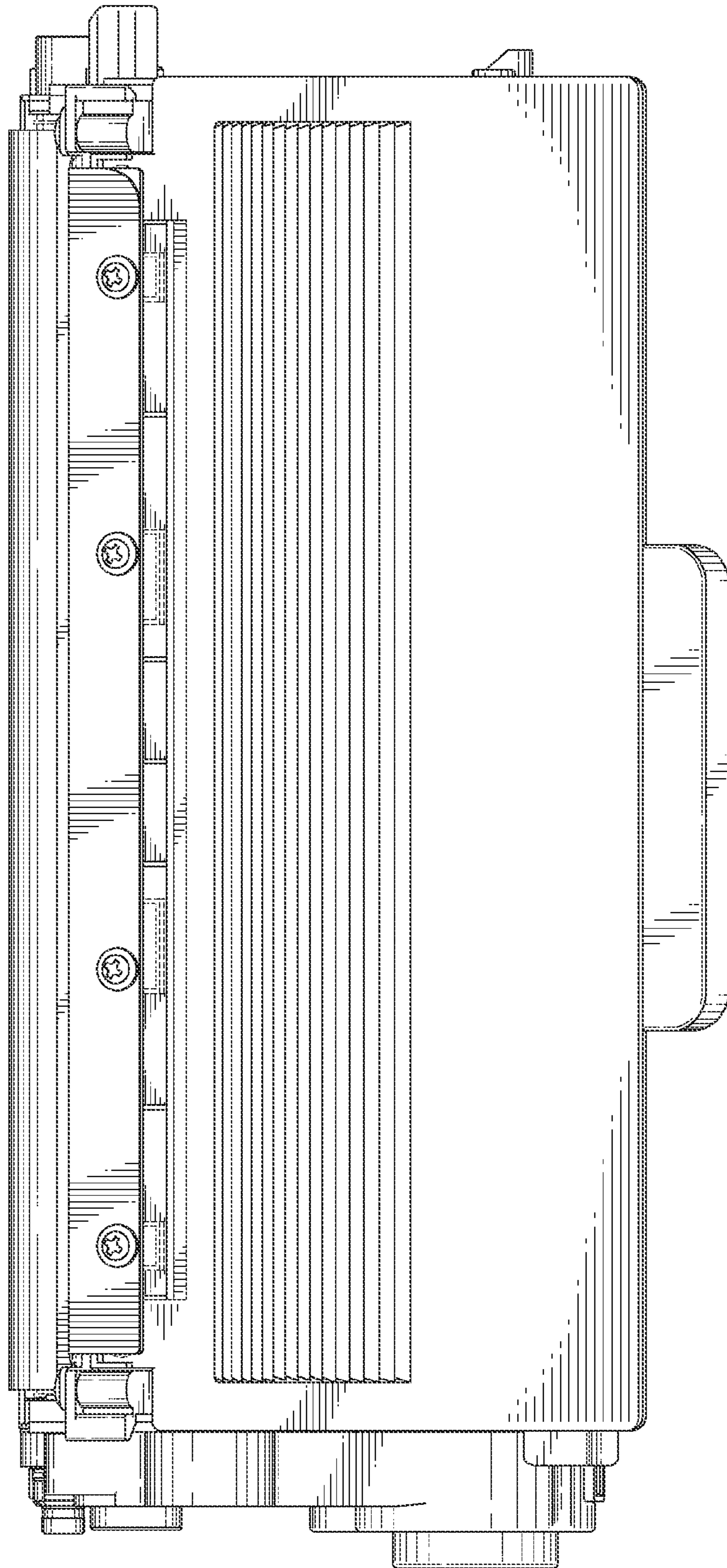


FIG. 3

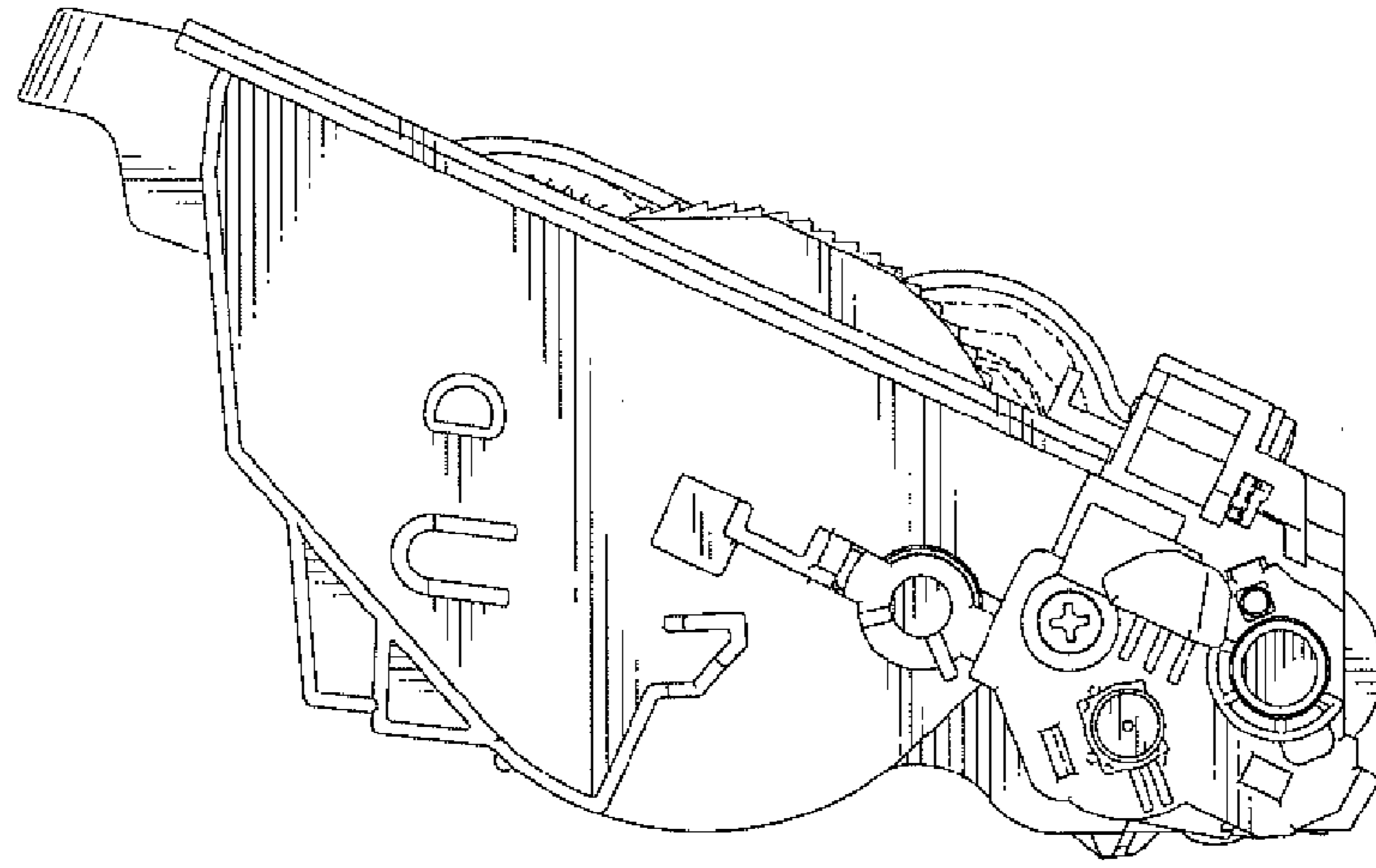


FIG. 4

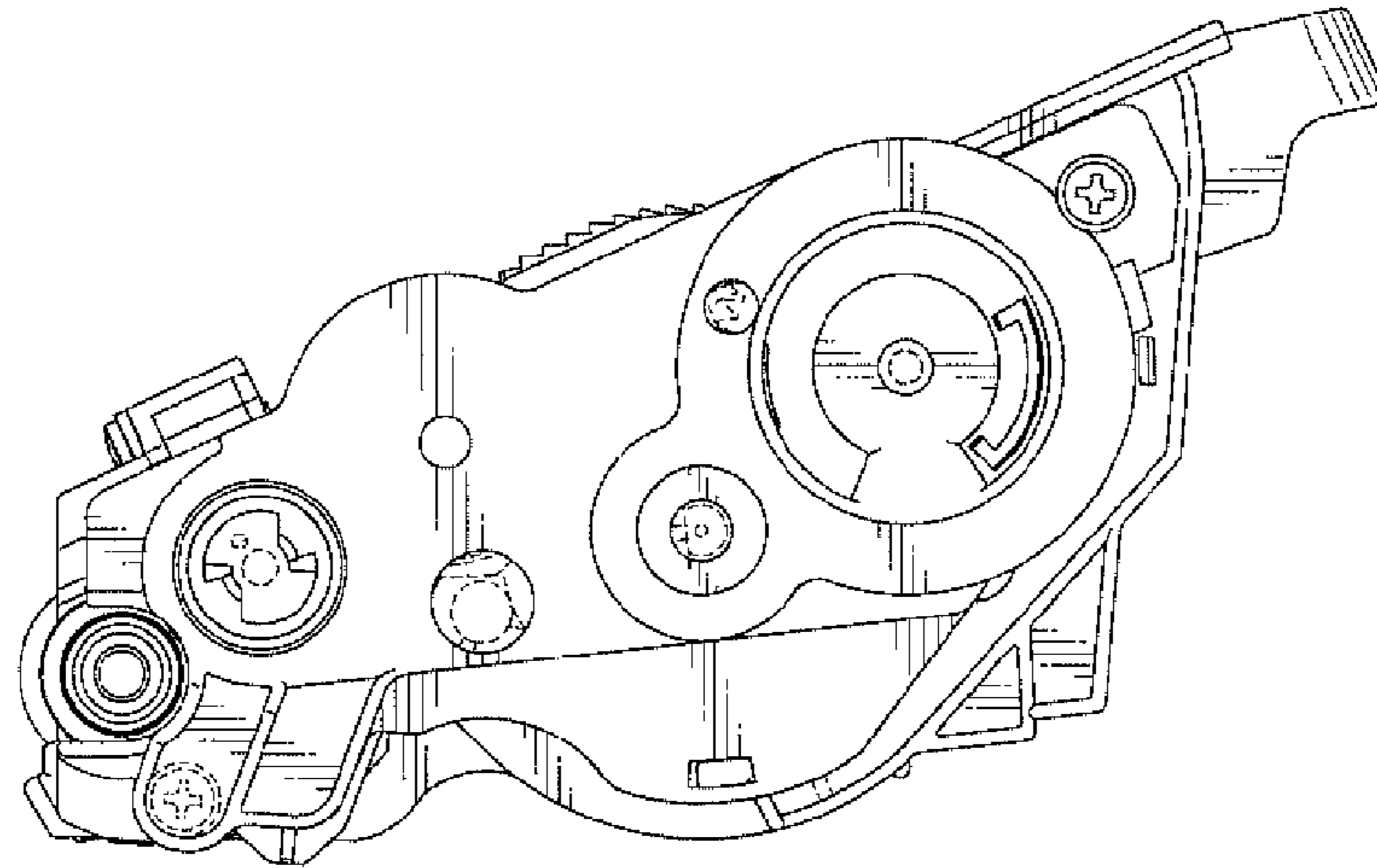


FIG. 5

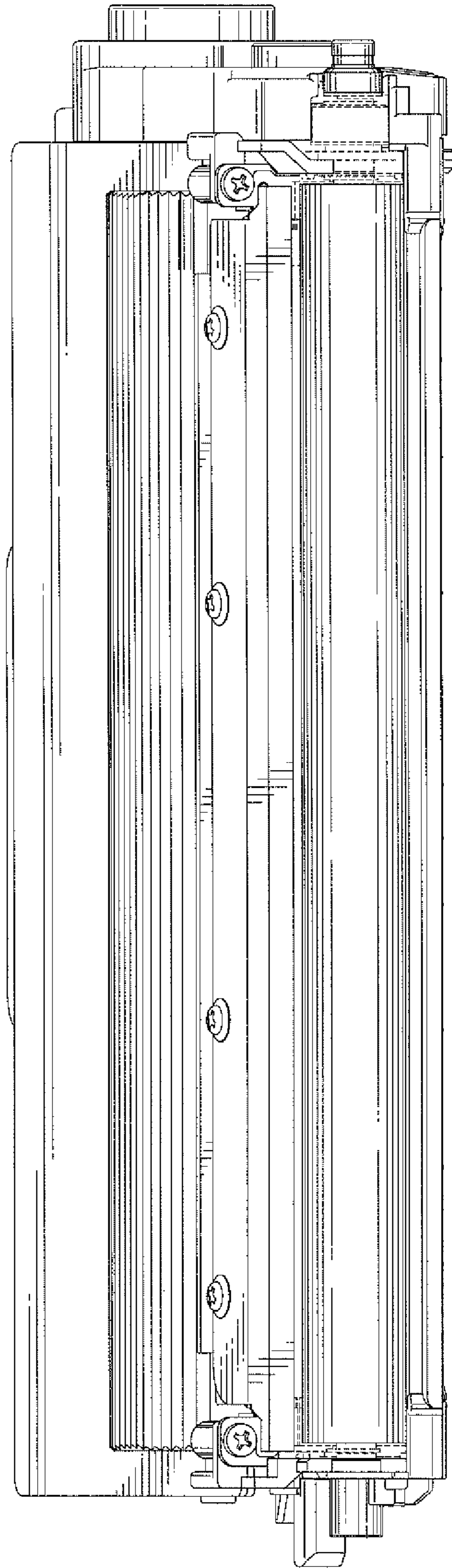


FIG. 6

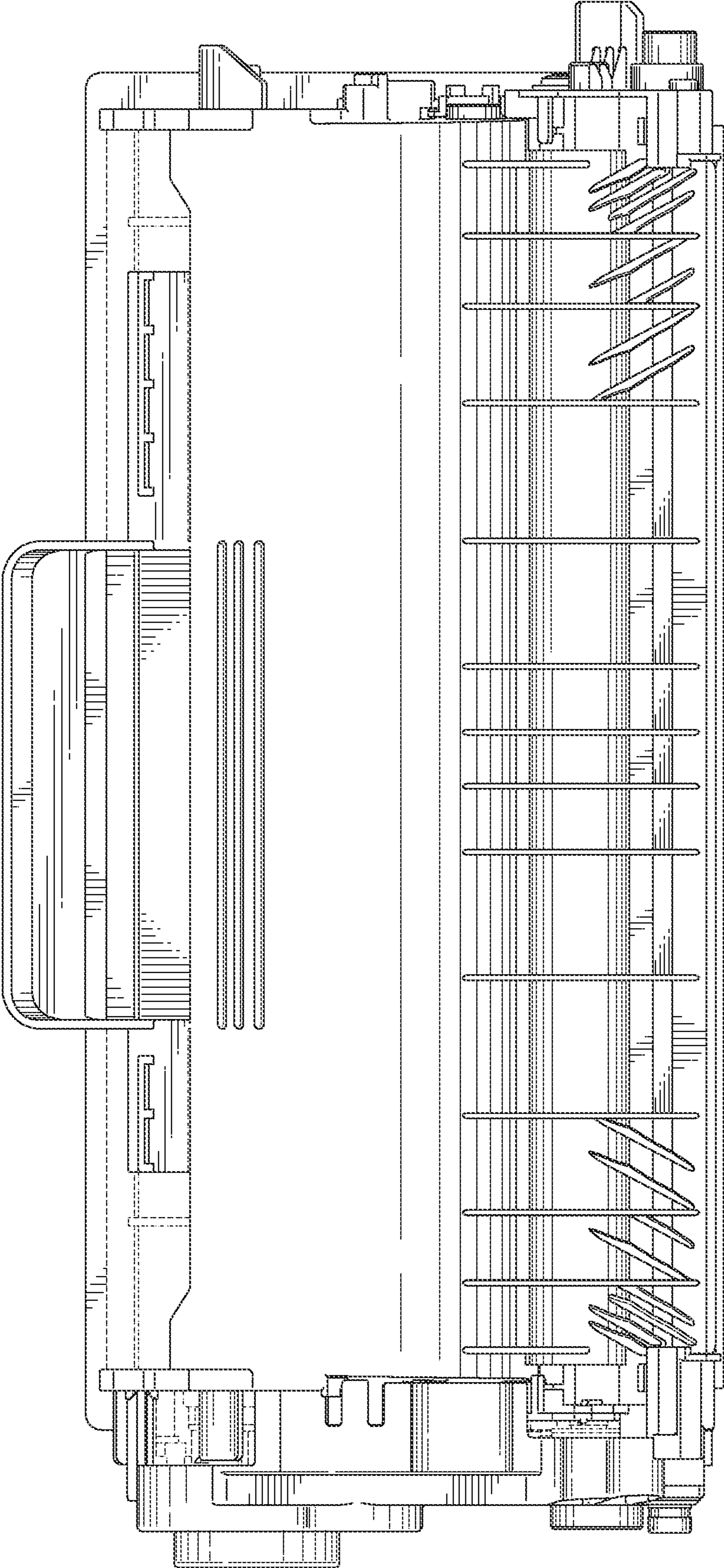


FIG. 7

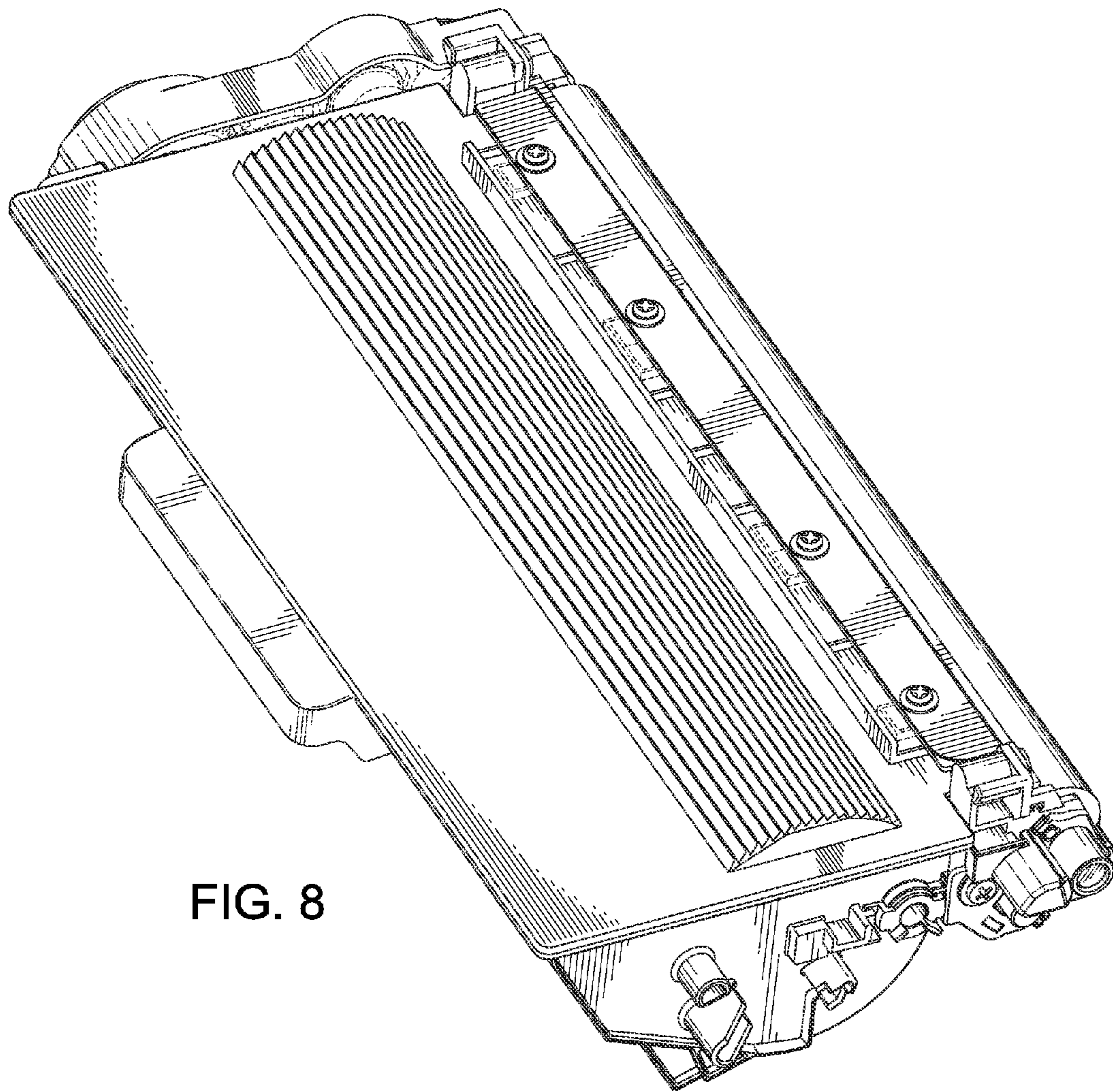


FIG. 8

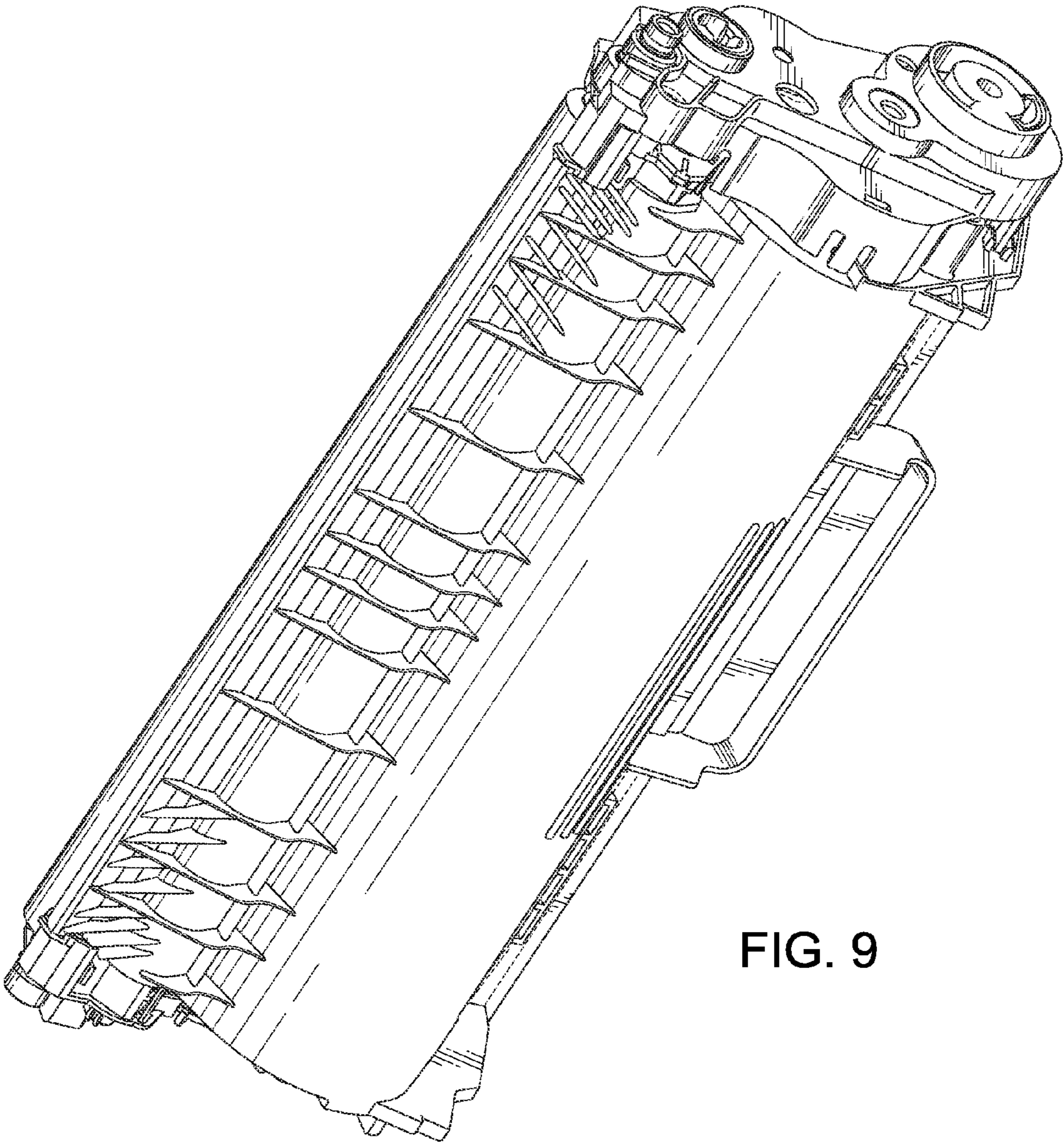


FIG. 9

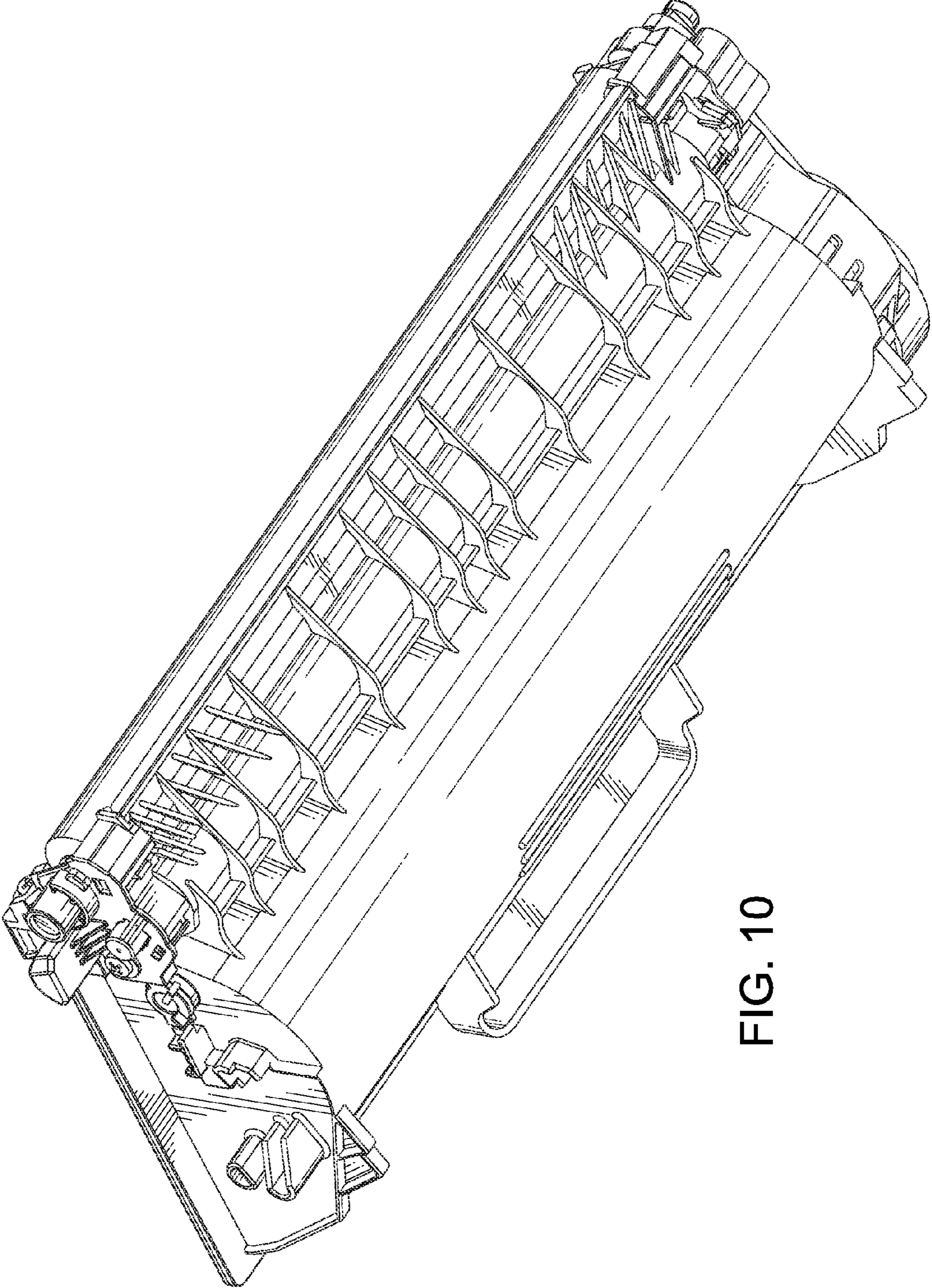


FIG. 10