



US00D694814S

(12) **United States Design Patent**
Fukamachi et al.

(10) **Patent No.:** **US D694,814 S**
(45) **Date of Patent:** **** Dec. 3, 2013**

(54) **PHOTOSENSITIVE DRUM UNIT**

(75) Inventors: **Yasuo Fukamachi**, Nagoya (JP);
Motoaki Mushika, Hashima (JP);
Fumikazu Sato, Konan (JP)

(73) Assignee: **Brother Industries, Ltd.**, Nagoya (JP)

(**) Term: **14 Years**

(21) Appl. No.: **29/416,800**

(22) Filed: **Mar. 27, 2012**

(30) **Foreign Application Priority Data**

Jan. 27, 2012 (JP) 2012-1581

(51) **LOC (9) Cl.** **16-03**

(52) **U.S. Cl.**
USPC **D18/40**

(58) **Field of Classification Search**

USPC D14/471; D18/12, 36, 40, 43, 44, 56;
222/DIG. 1; 347/197, 222; 399/24-28,
399/107-112, 119, 121, 122, 222-224

See application file for complete search history.

(56) **References Cited**

U.S. PATENT DOCUMENTS

D423,559 S * 4/2000 Suzuki et al. D18/40
D447,511 S * 9/2001 Kimura et al. D18/40
D471,583 S * 3/2003 Okabe et al. D18/40
D496,395 S * 9/2004 Miyagawa D18/40
D507,295 S 7/2005 Ishii et al.
D509,239 S 9/2005 Ishii et al.

D521,545 S 5/2006 Ishii et al.
D523,894 S 6/2006 Ishii et al.
D523,895 S 6/2006 Ishii et al.
D523,896 S 6/2006 Ishii et al.
D550,763 S 9/2007 Ishikawa et al.
D551,285 S 9/2007 Ishikawa et al.
D594,899 S 6/2009 Ogasawara et al.
D594,900 S 6/2009 Ogasawara et al.
D601,184 S 9/2009 Ogasawara et al.
D637,226 S 5/2011 Sakuma et al.
D638,053 S 5/2011 Sato et al.

* cited by examiner

Primary Examiner — Garth Rademaker

(74) *Attorney, Agent, or Firm* — Oliff & Berridge, PLC

(57) **CLAIM**

The ornamental design for a photosensitive drum unit, as shown and described.

DESCRIPTION

FIG. 1 is a top, front, left-side perspective view of a photo-sensitive drum unit;

FIG. 2 is a front view thereof;

FIG. 3 is a top view thereof;

FIG. 4 is a right-side view thereof;

FIG. 5 is a left-side view thereof;

FIG. 6 is a rear view thereof;

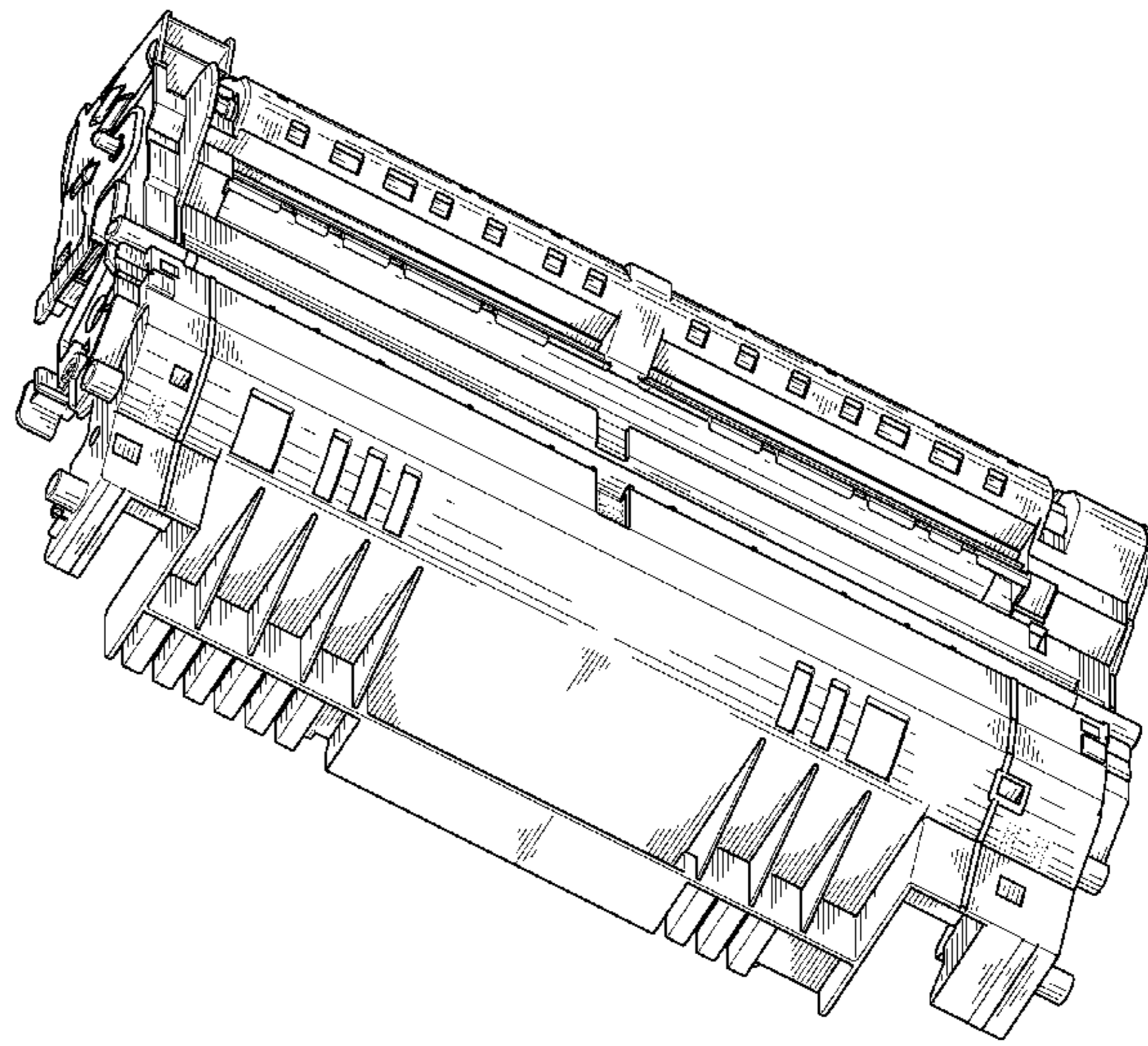
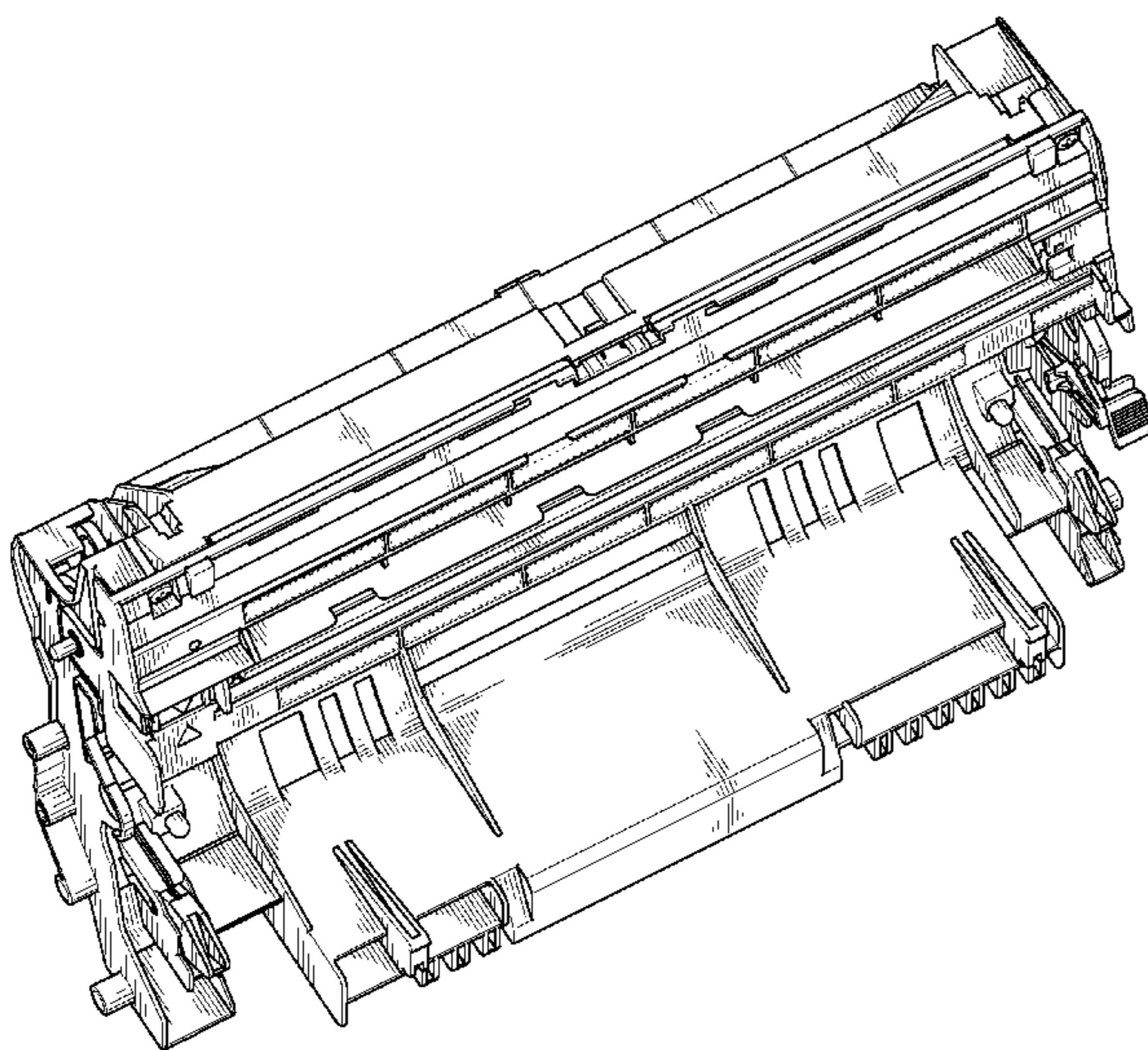
FIG. 7 is a bottom view thereof;

FIG. 8 is a bottom, front, right-side perspective view thereof; and,

FIG. 9 is a bottom, rear, right-side perspective view thereof.

The broken lines depict unclaimed portions only and form no part of the claimed design.

1 Claim, 8 Drawing Sheets



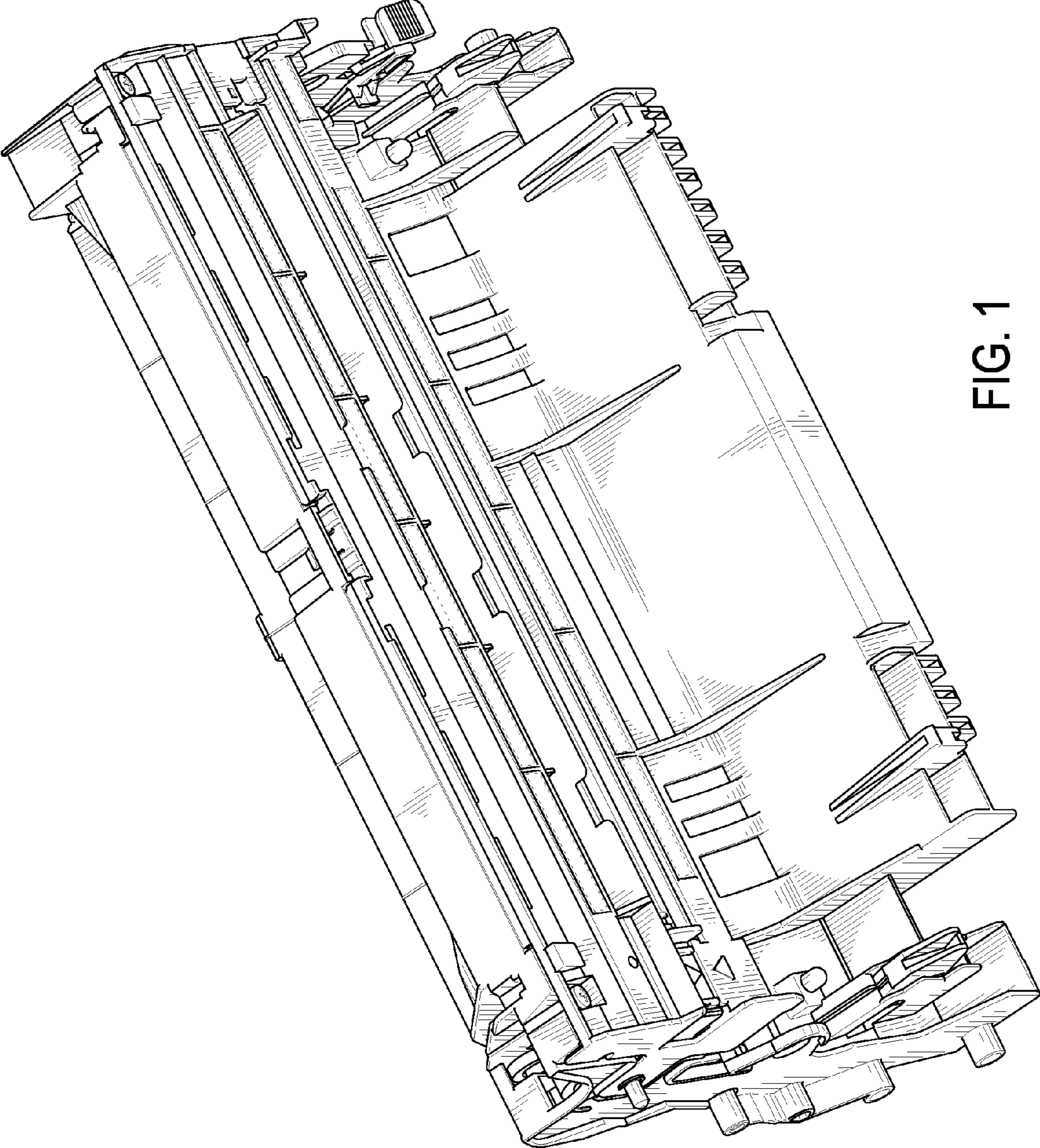


FIG. 1

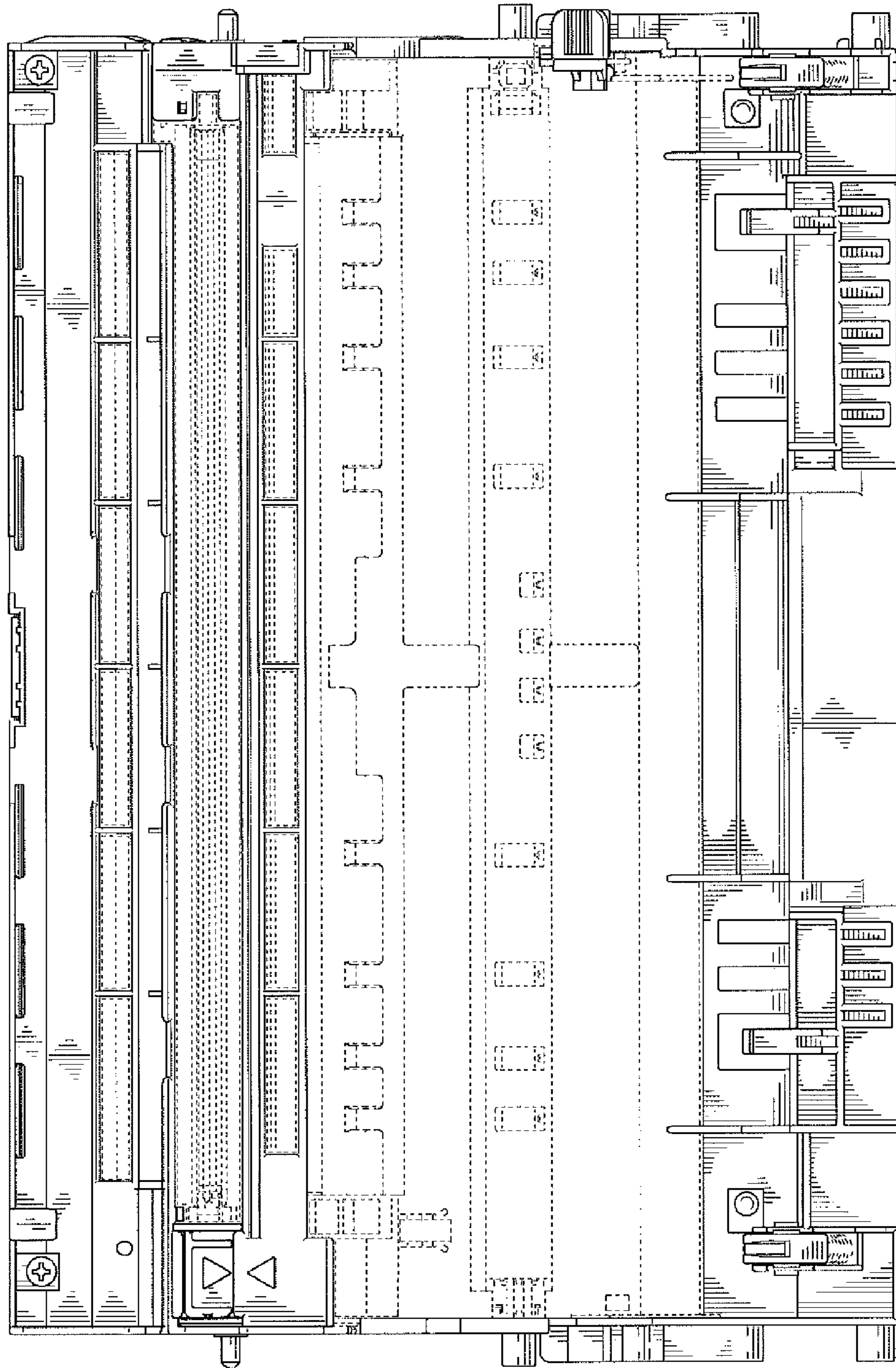


FIG. 2

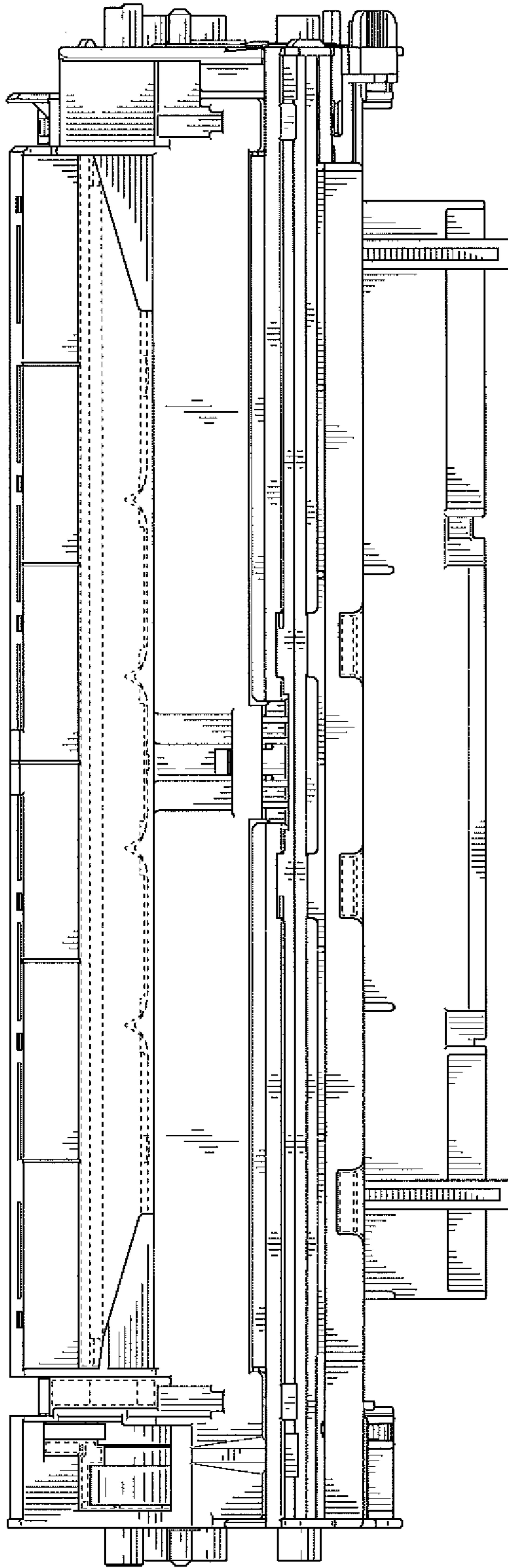


FIG. 3

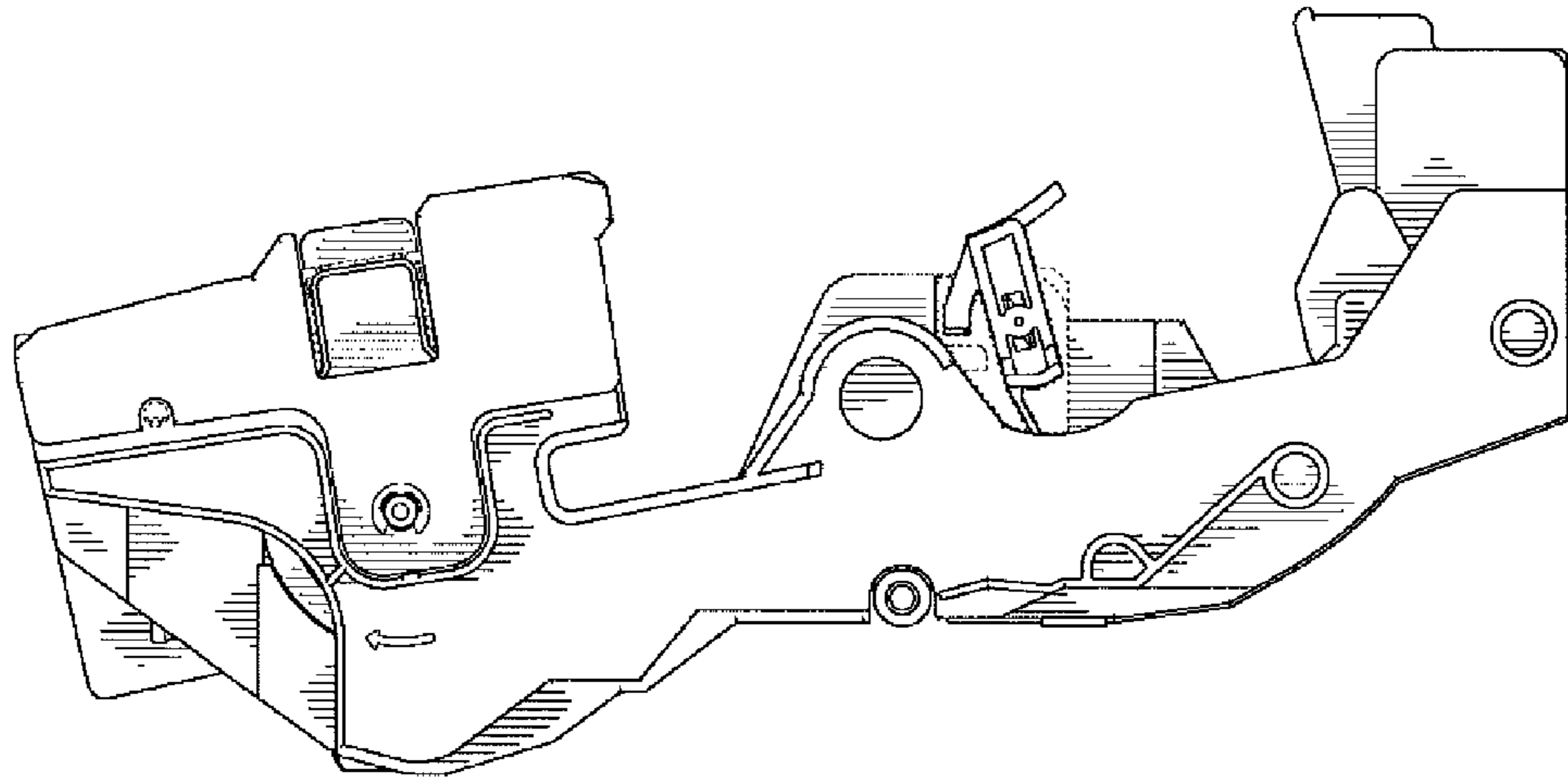


FIG. 5

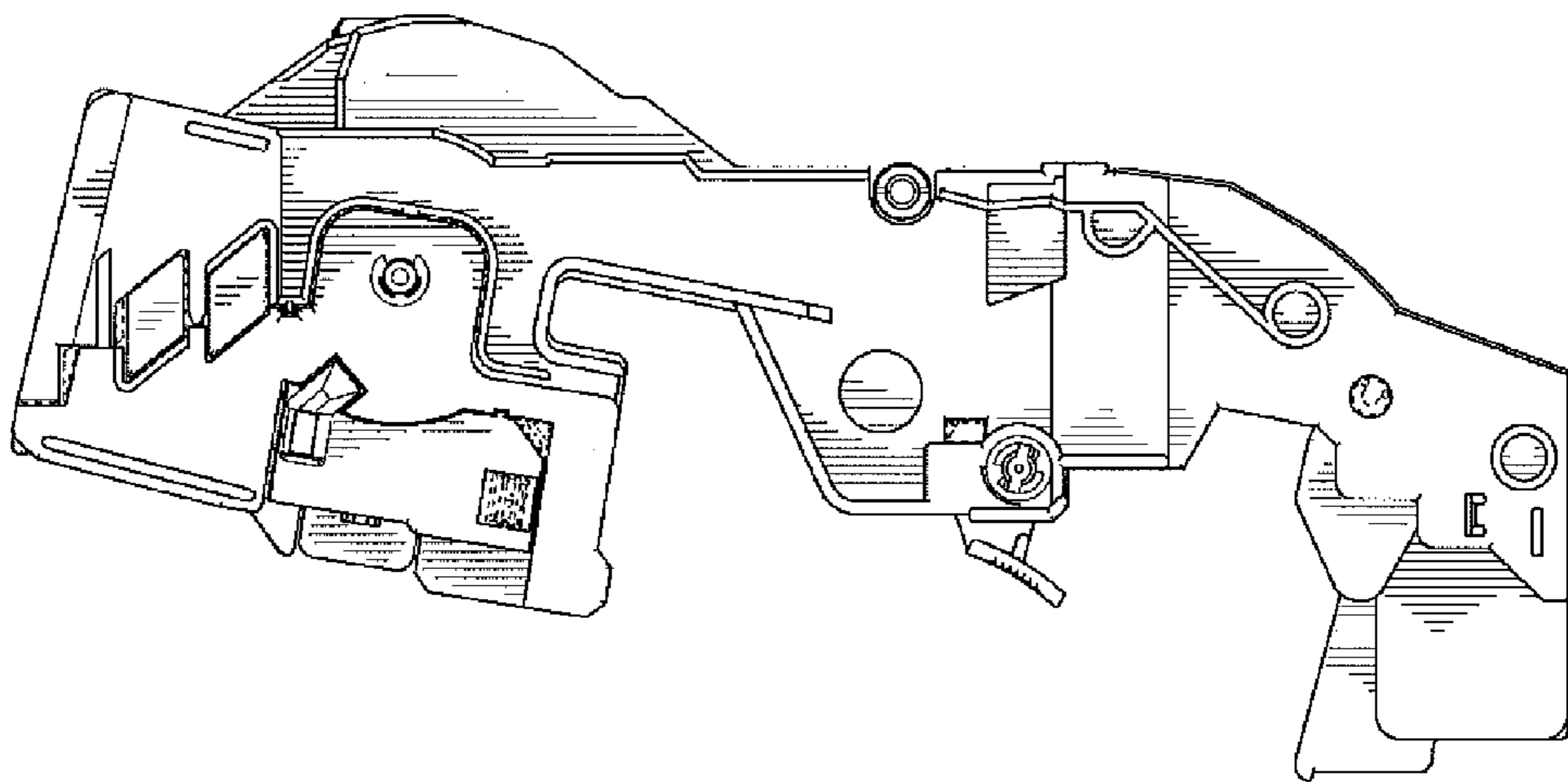


FIG. 4

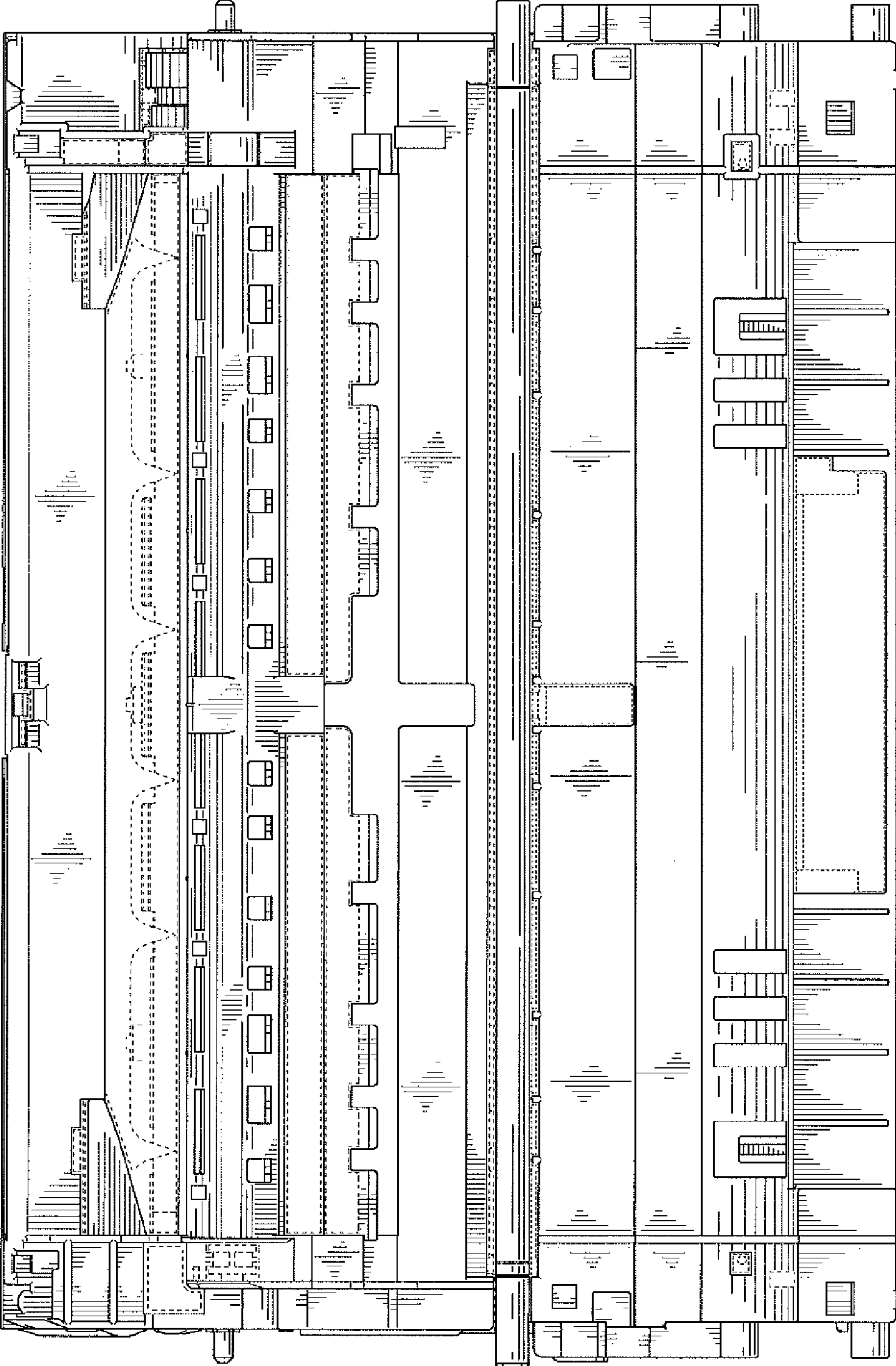


FIG. 6

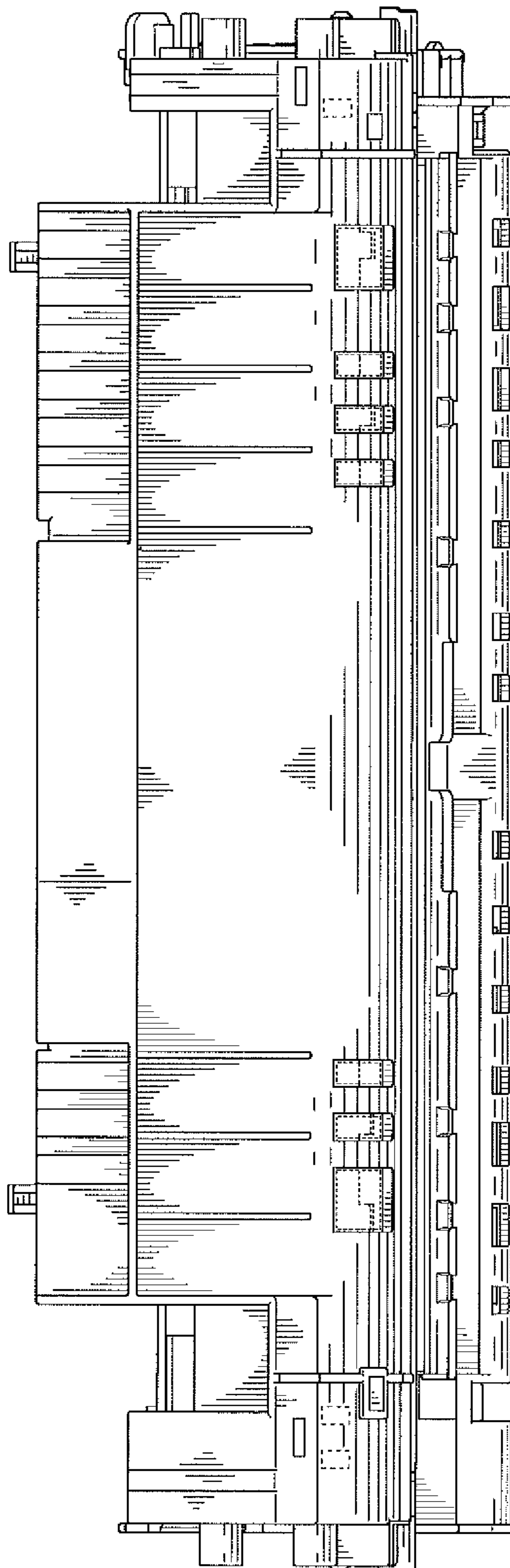


FIG. 7

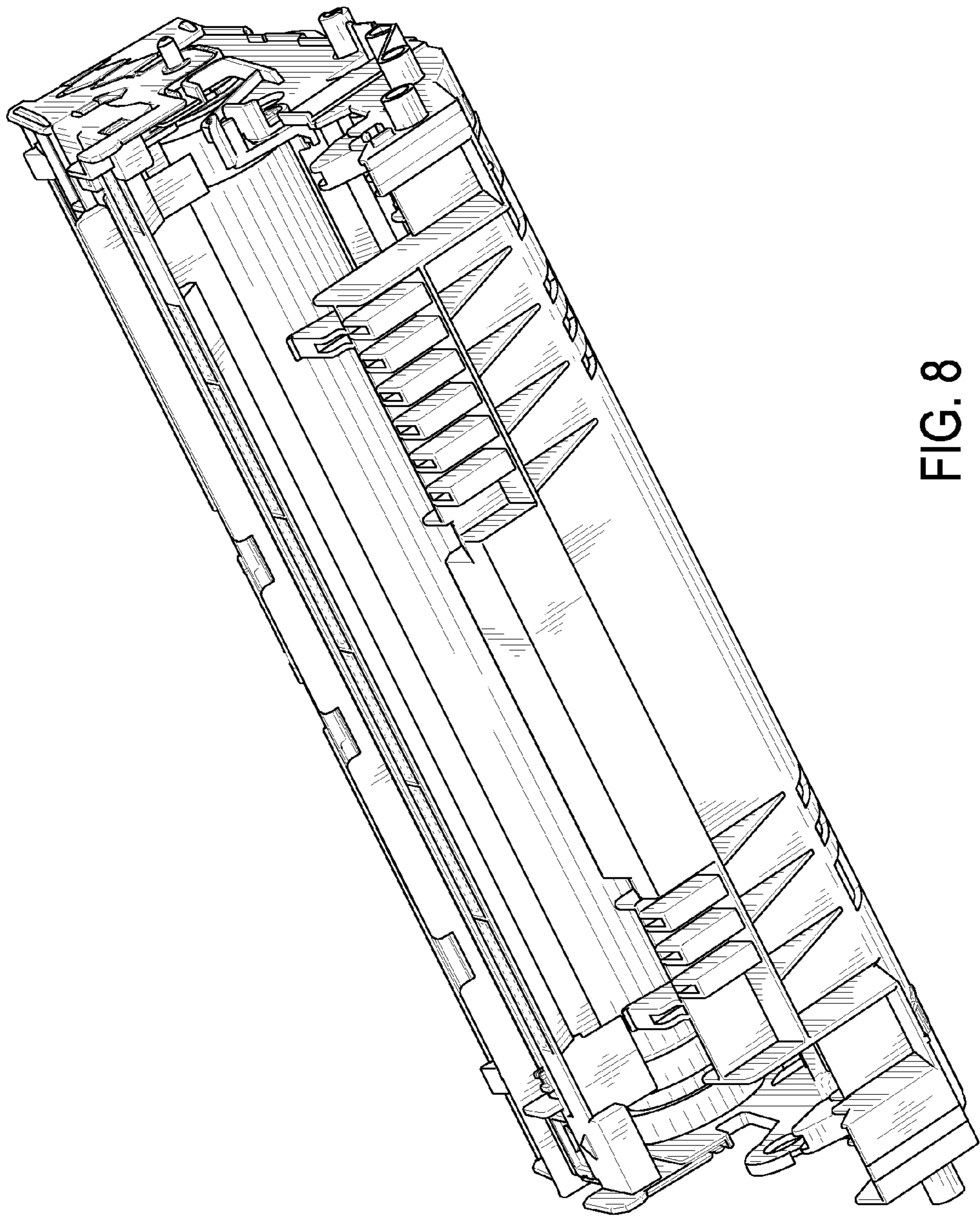


FIG. 8

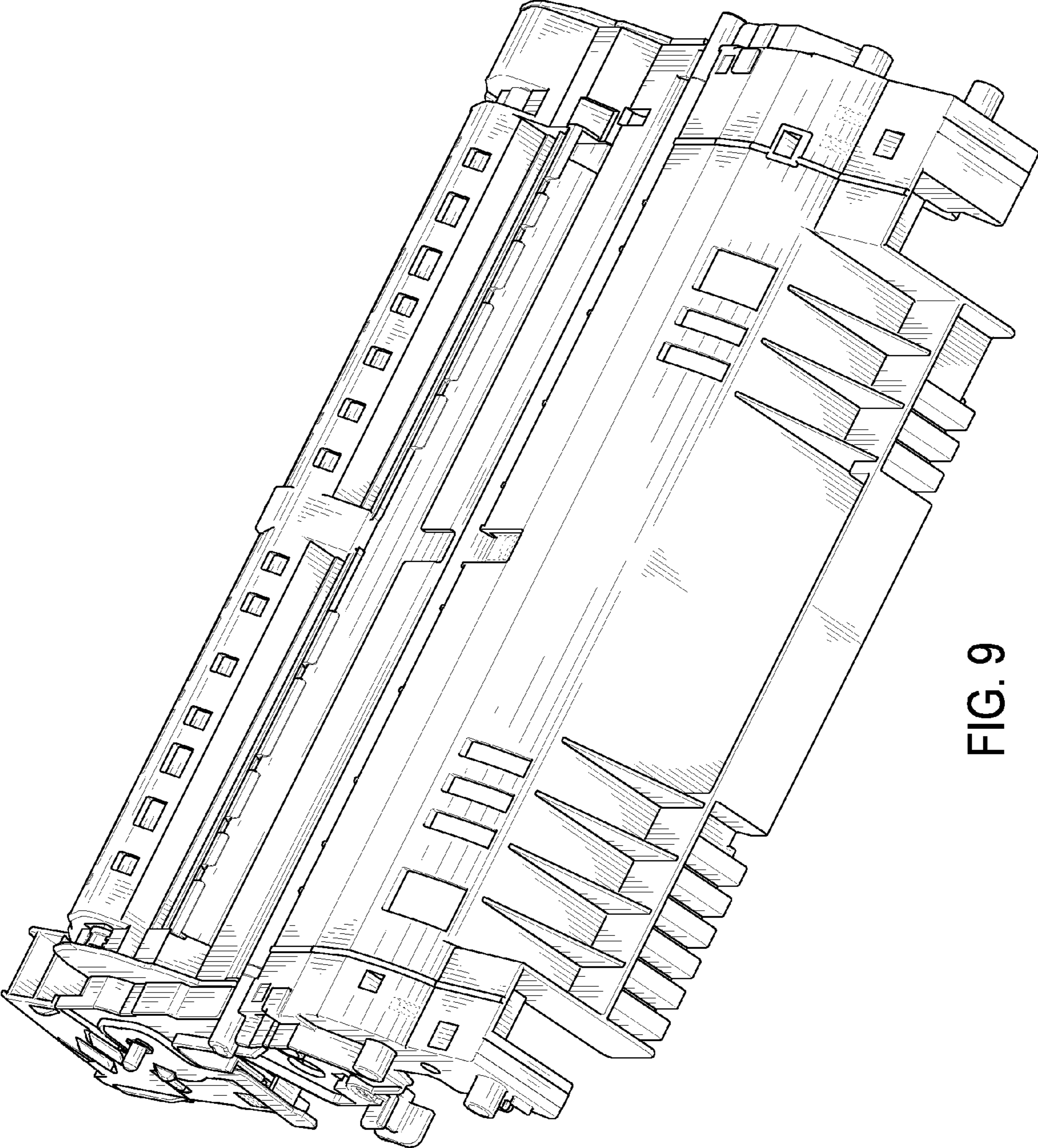


FIG. 9