



US00D694813S

(12) **United States Design Patent**
Choi et al.

(10) **Patent No.:** **US D694,813 S**
(45) **Date of Patent:** **** Dec. 3, 2013**

(54) **SHREDDER**

(75) Inventors: **Taiwon Choi**, Glenview, IL (US);
Michael Mercier, Chicago, IL (US);
Biren Patel, Glendale, IL (US)

(73) Assignee: **Fellowes, Inc.**, Itasca, IL (US)

(**) Term: **14 Years**

(21) Appl. No.: **29/429,998**

(22) Filed: **Aug. 20, 2012**

(51) **LOC (9) Cl.** **18-04**

(52) **U.S. Cl.**

USPC **D18/34.5**

(58) **Field of Classification Search**

USPC D18/34.1, 34.3–34.8, 34.9; D19/72;
83/613–614; 241/36, 37.5, 100, 236

See application file for complete search history.

(56) **References Cited**

U.S. PATENT DOCUMENTS

7,594,620 B2 * 9/2009 Abramson et al. 241/36
D660,345 S * 5/2012 Horvath et al. D18/34.5
D677,717 S * 3/2013 Applegate et al. D18/34.5

D686,657 S * 7/2013 Applegate et al. D18/34.5
2008/0277511 A1 * 11/2008 Shen 241/100
2010/0176230 A1 * 7/2010 Davis et al. 241/100

* cited by examiner

Primary Examiner — Cathy A MacCormac

(74) *Attorney, Agent, or Firm* — Pillsbury Winthrop Shaw
Pittman LLP

(57) **CLAIM**

The ornamental design for a shredder, as shown and
described.

DESCRIPTION

FIG. 1 is a perspective view of a shredder showing our new
design;

FIG. 2 is a front view of the shredder of FIG. 1;

FIG. 3 is a rear view of the shredder of FIG. 1;

FIG. 4 is a left side view of the shredder of FIG. 1;

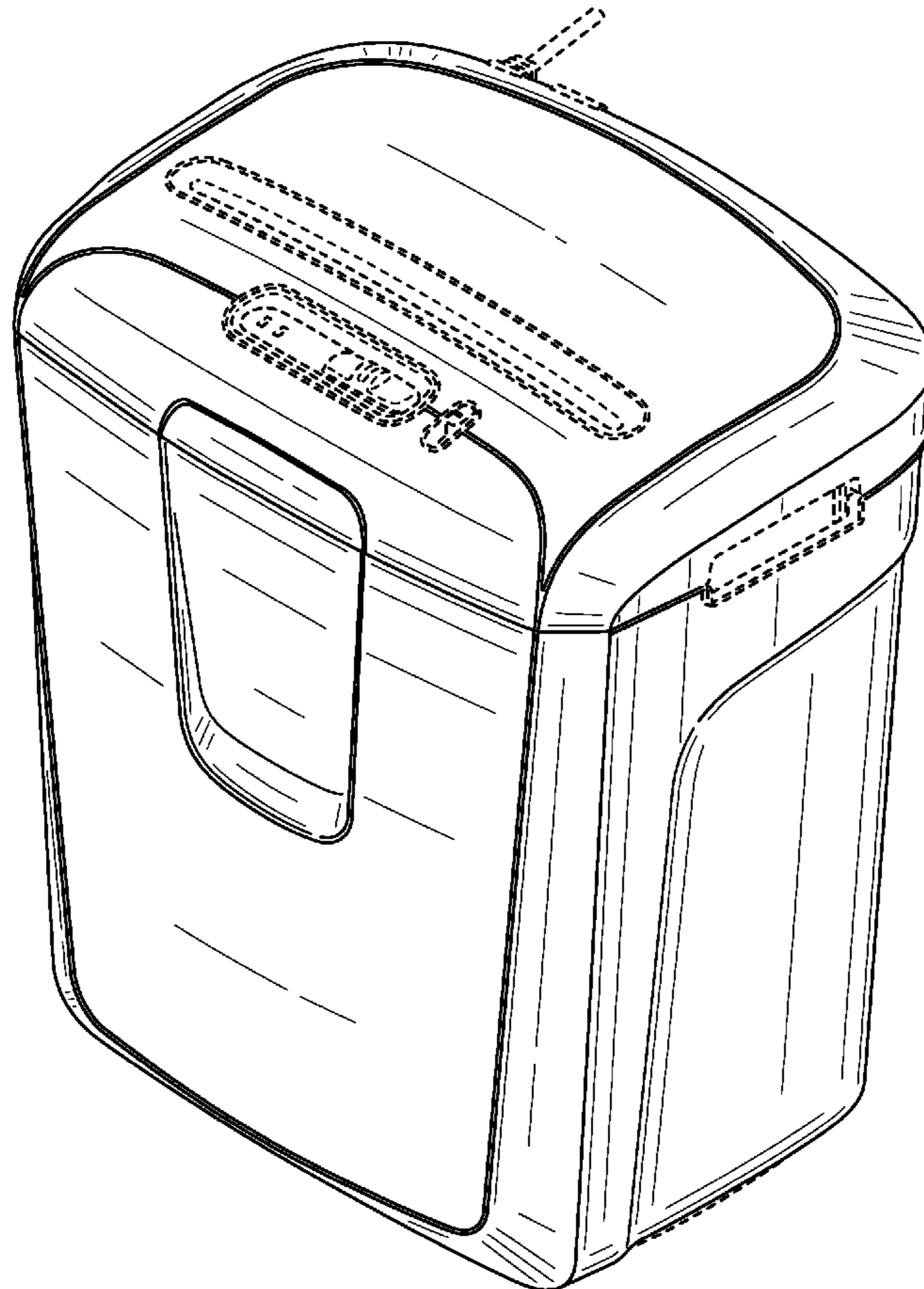
FIG. 5 is a right side view of the shredder of FIG. 1;

FIG. 6 is a top view of the shredder of FIG. 1; and,

FIG. 7 is a bottom view of the shredder of FIG. 1.

The subject matter in broken lines is for illustration only and
forms no part of the claim.

1 Claim, 7 Drawing Sheets



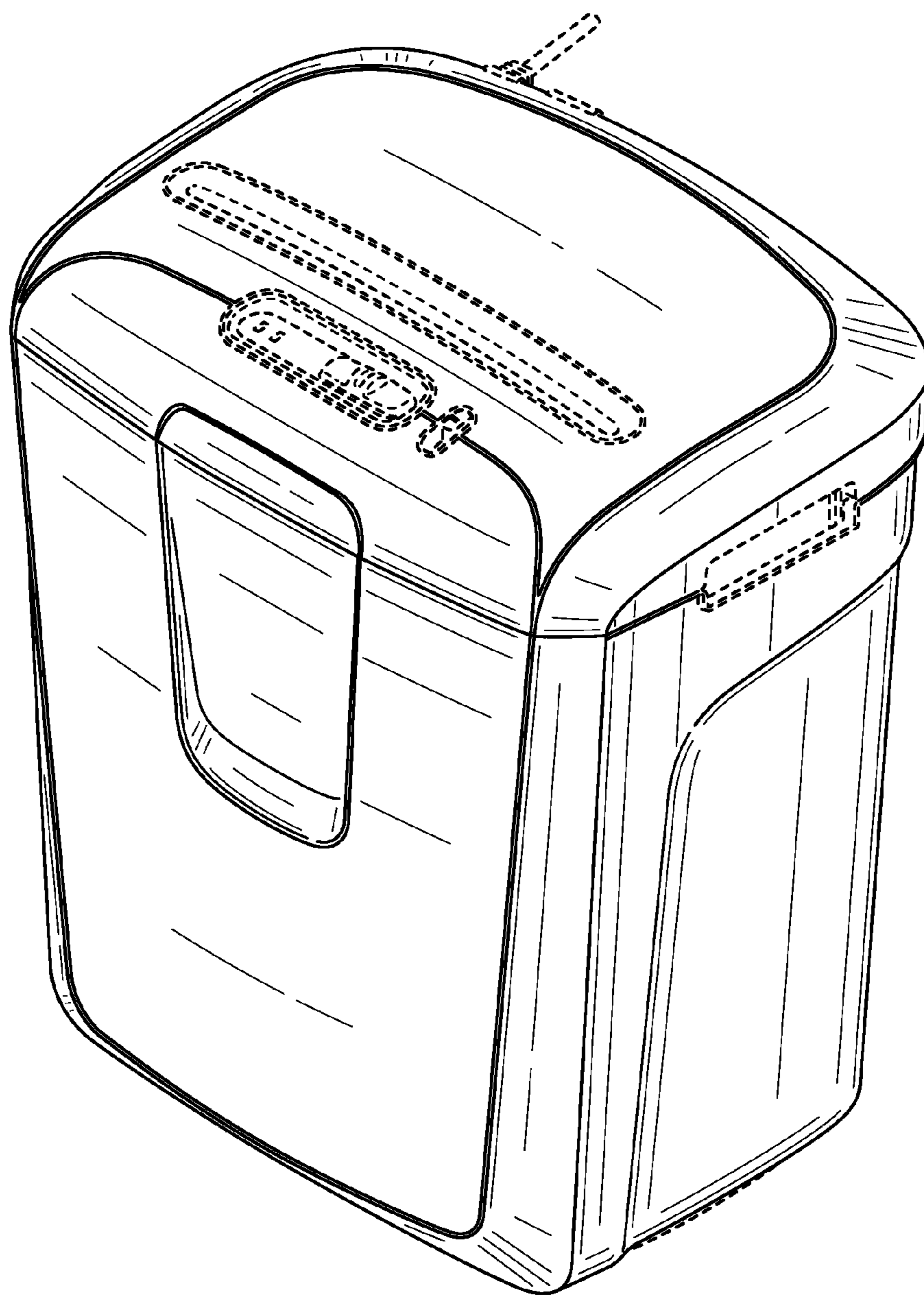


FIG. 1

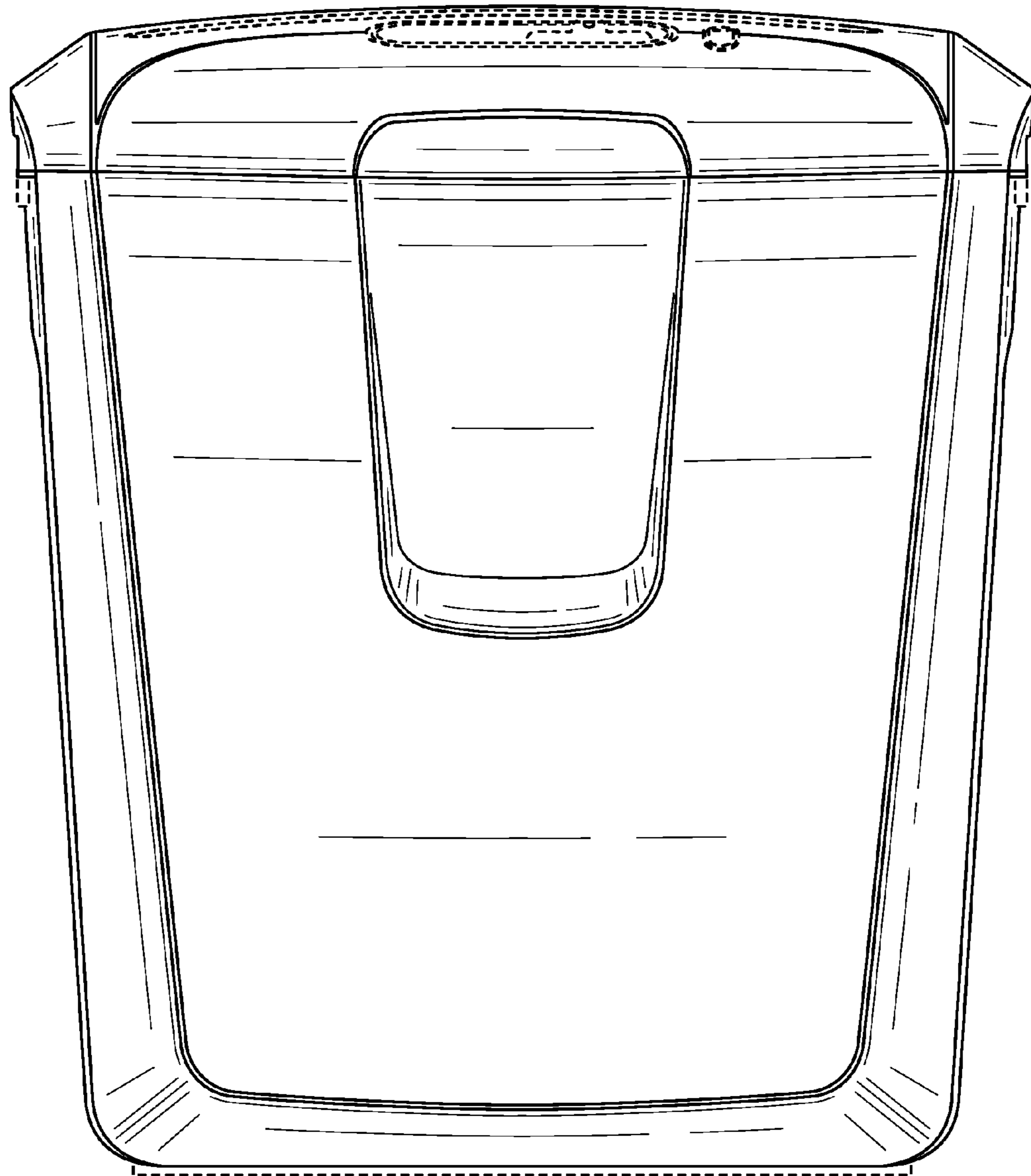


FIG. 2

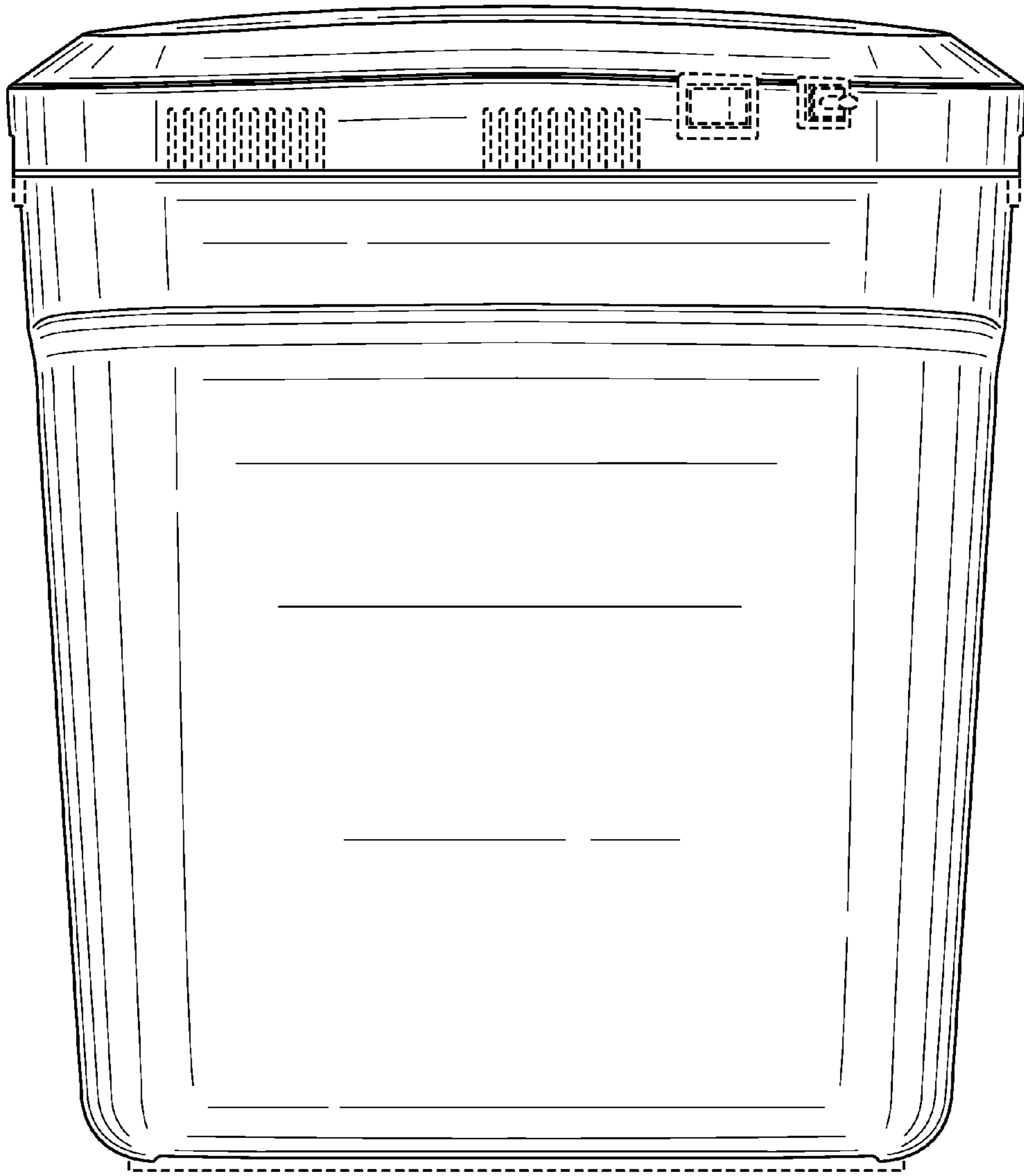


FIG. 3

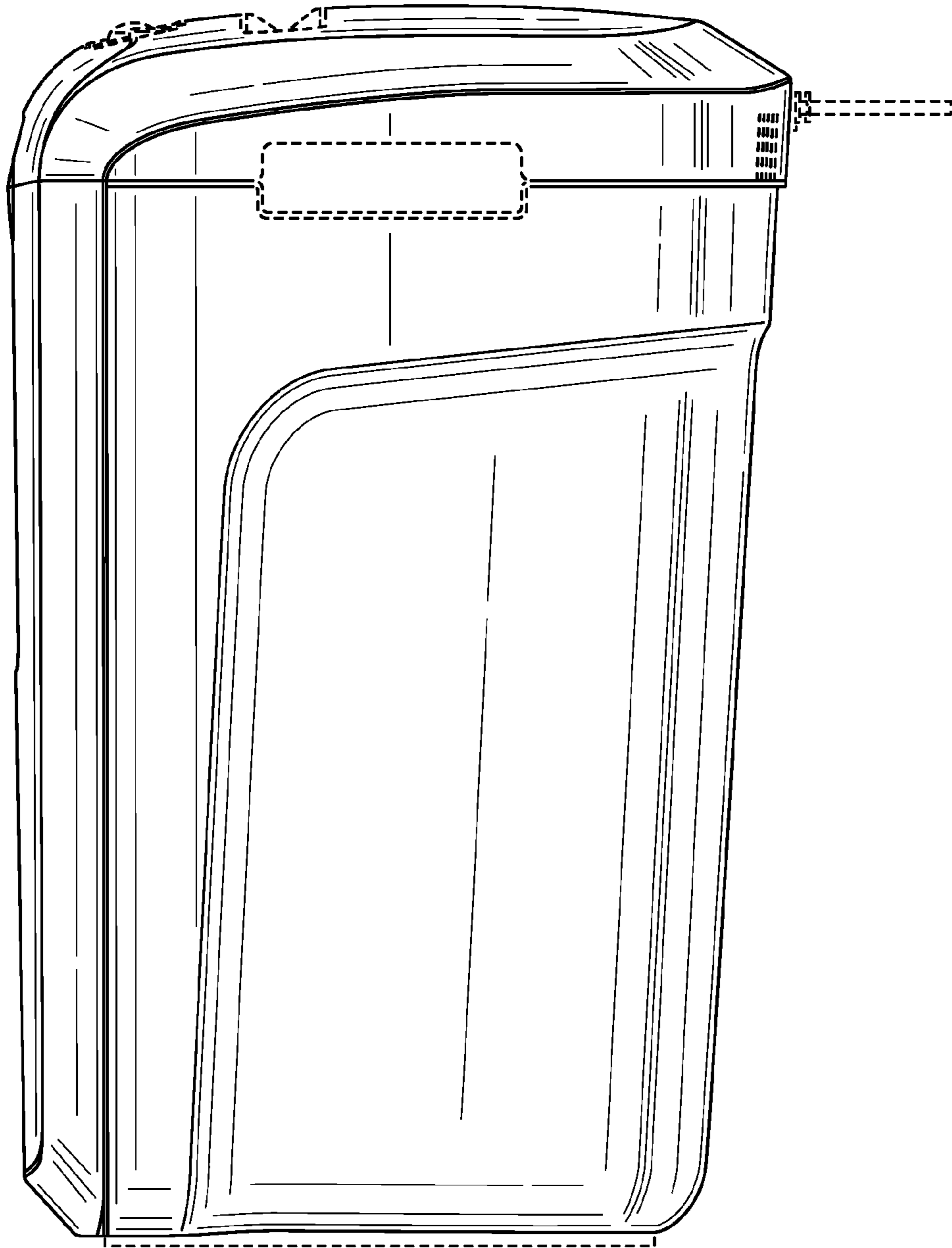


FIG. 4

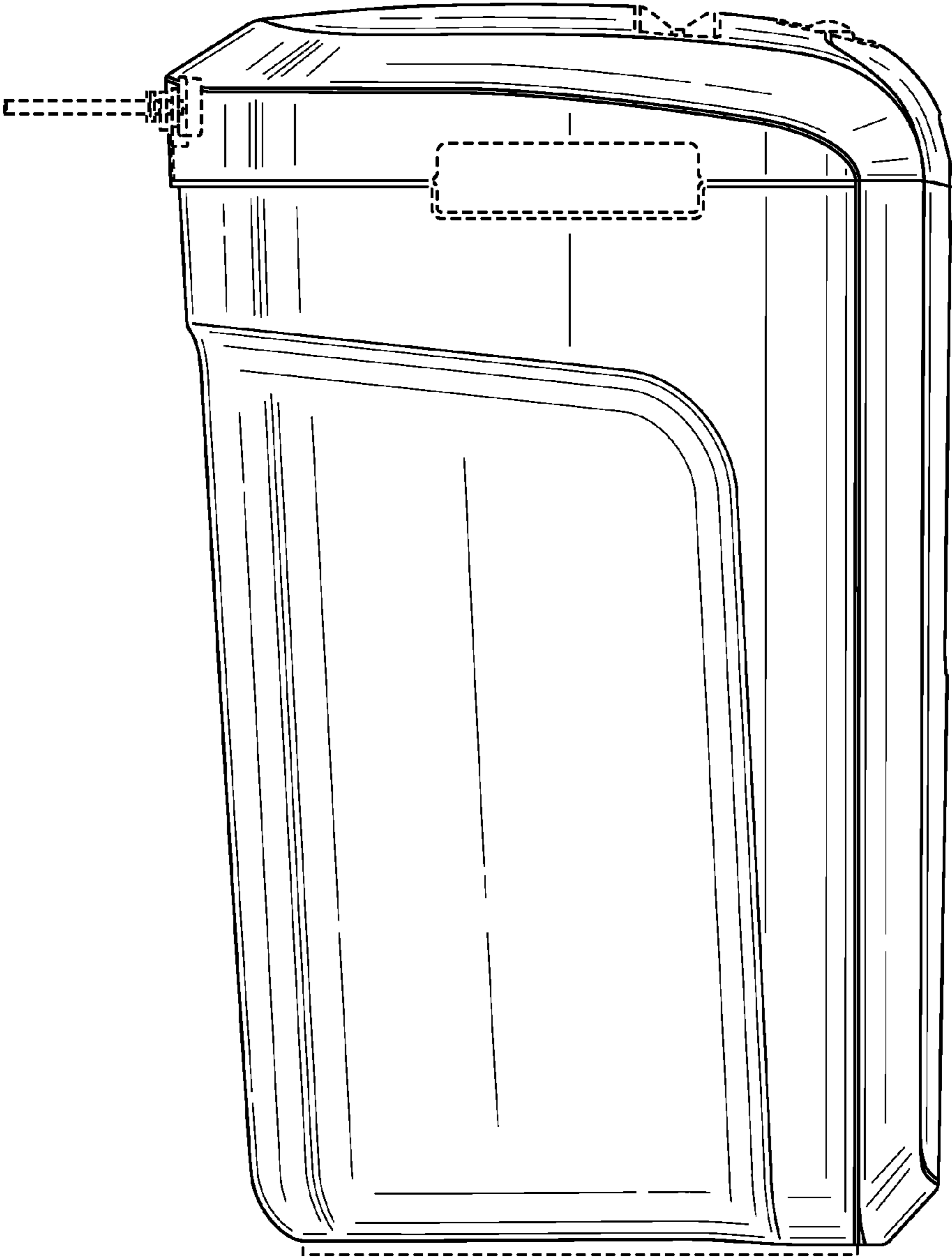


FIG. 5

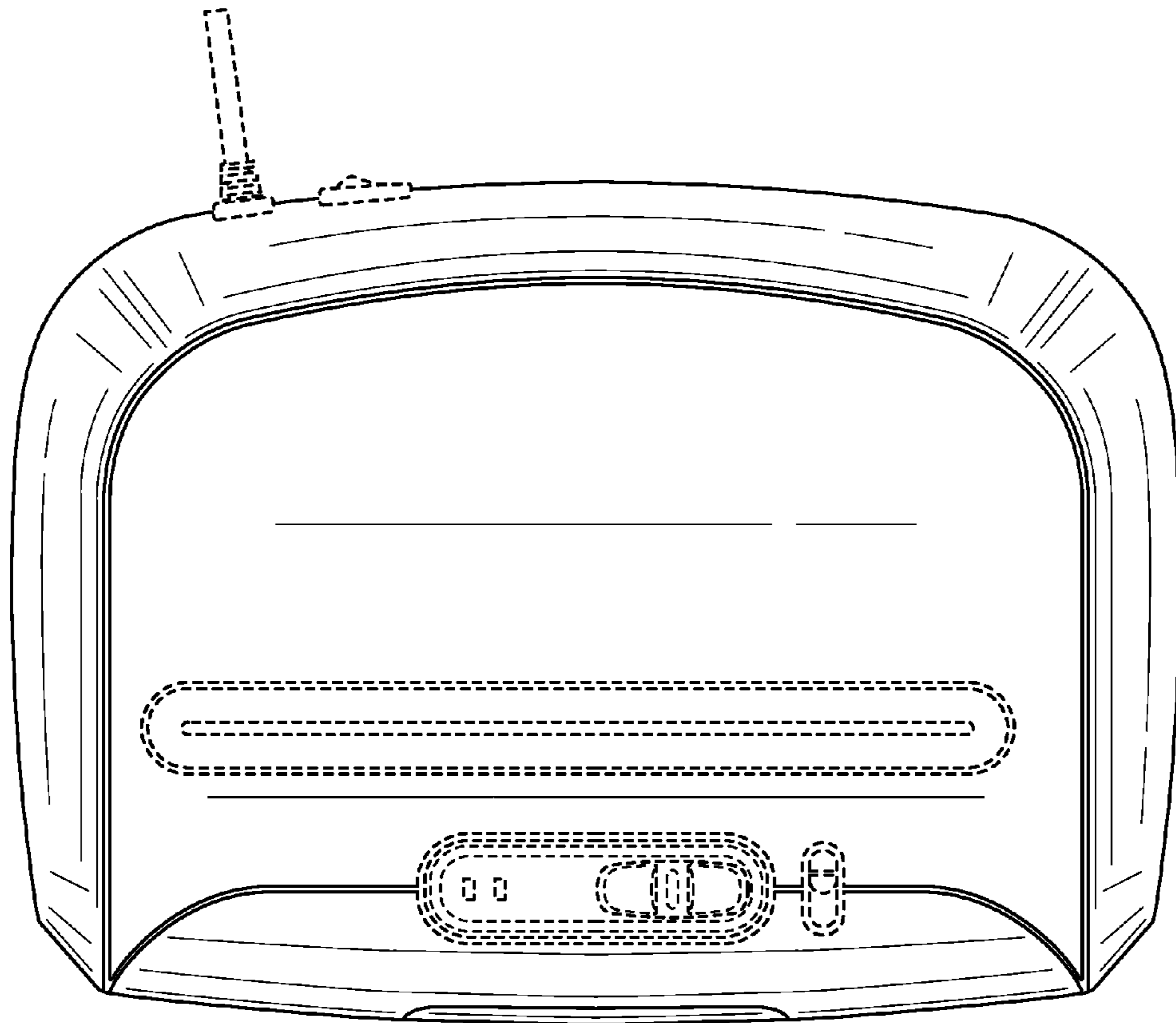


FIG. 6

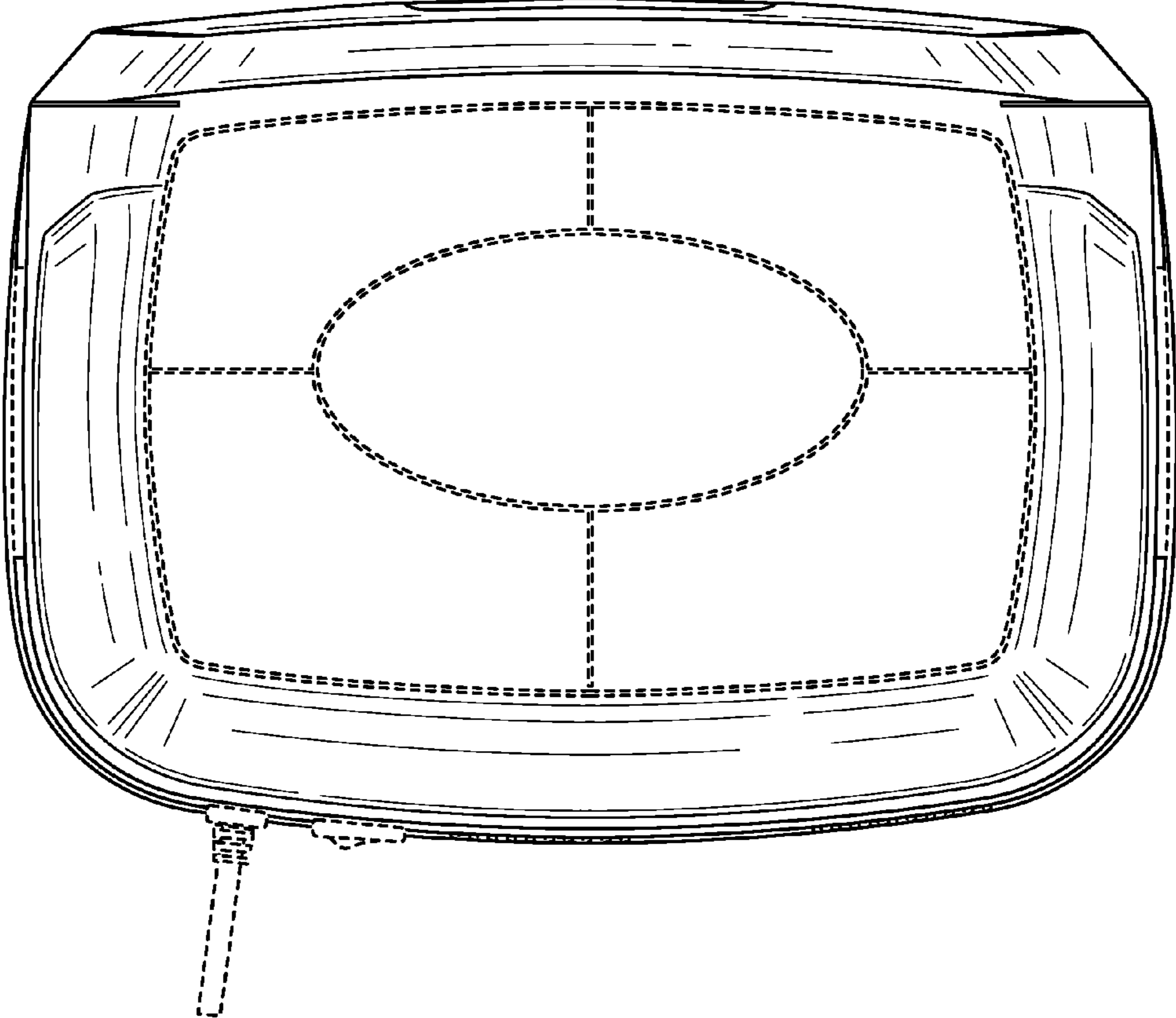


FIG. 7