



US00D694806S

(12) **United States Design Patent**
Mage et al.

(10) **Patent No.:** **US D694,806 S**
(45) **Date of Patent:** **** Dec. 3, 2013**

(54) **GOGGLE**

(56) **References Cited**

(71) Applicants: **Jerome Jacques Marie Mage**, Los Angeles, CA (US); **Marc Blanchard**, Solana Beach, CA (US)

U.S. PATENT DOCUMENTS

D577,054 S *	9/2008	Moritz	D16/312
D598,040 S *	8/2009	Sheldon et al.	D16/312
D620,969 S *	8/2010	Cyr	D16/312
D640,724 S *	6/2011	Goodman et al.	D16/312
D649,178 S *	11/2011	Moritz et al.	D16/312

(72) Inventors: **Jerome Jacques Marie Mage**, Los Angeles, CA (US); **Marc Blanchard**, Solana Beach, CA (US)

* cited by examiner

(**) Term: **14 Years**

Primary Examiner — Raphael Barkai
(74) *Attorney, Agent, or Firm* — X-Patents, APC

(21) Appl. No.: **29/441,718**

(57) **CLAIM**
The ornamental design for a goggle, as shown and described.

(22) Filed: **Jan. 9, 2013**

DESCRIPTION

(51) **LOC (9) Cl.** **16-06**

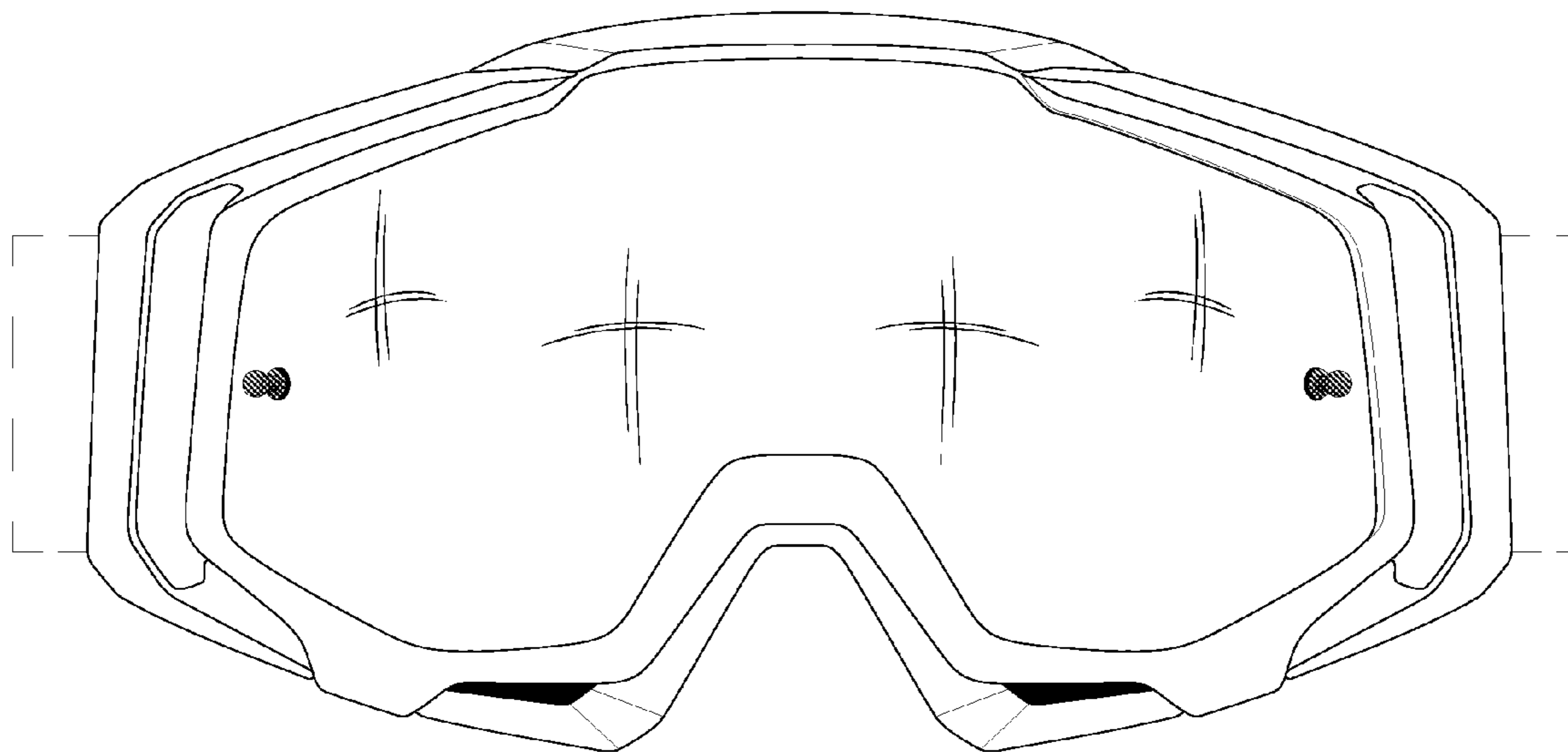
(52) **U.S. Cl.**
USPC **D16/312**

(58) **Field of Classification Search**
USPC D16/101, 300–342, 900; D29/109–110;
351/41, 44, 51–52, 62, 158, 92,
351/103–123, 140–153, 45–46; 2/426–432,
2/447–449, 441, 434–437, 13, 15;
D21/483, 659–661; D14/372

FIG. 1 is a front view of the goggle of the present invention, a strap shown in phantom;
FIG. 2 is a perspective view thereof;
FIG. 3 is a left side elevation view thereof;
FIG. 4 is a right side elevation view thereof;
FIG. 5 is a top view thereof; and,
FIG. 6 is a bottom view thereof.
The broken lines in the drawings are for illustrative purposes only and form no part of the claimed design.

See application file for complete search history.

1 Claim, 3 Drawing Sheets



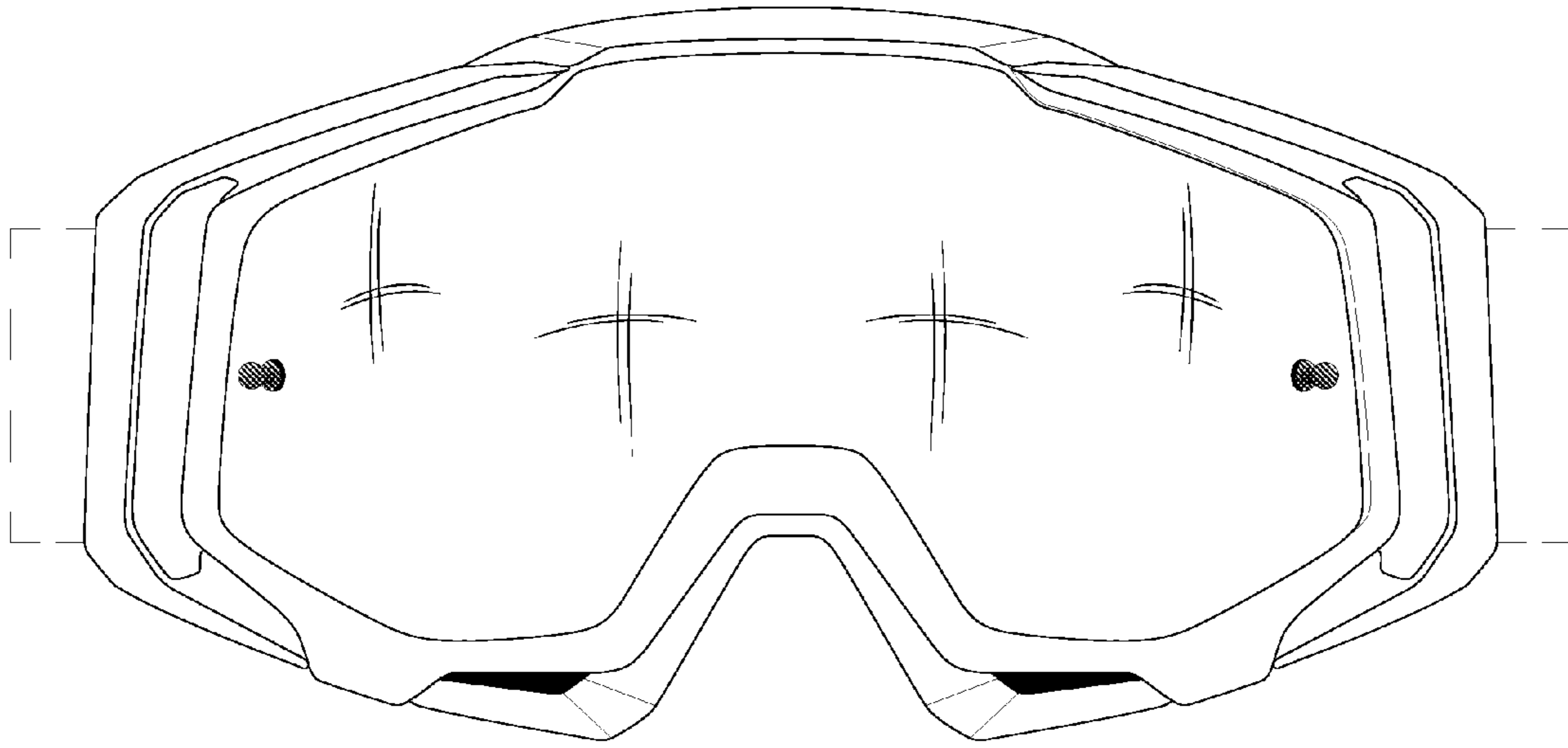


FIG. 1

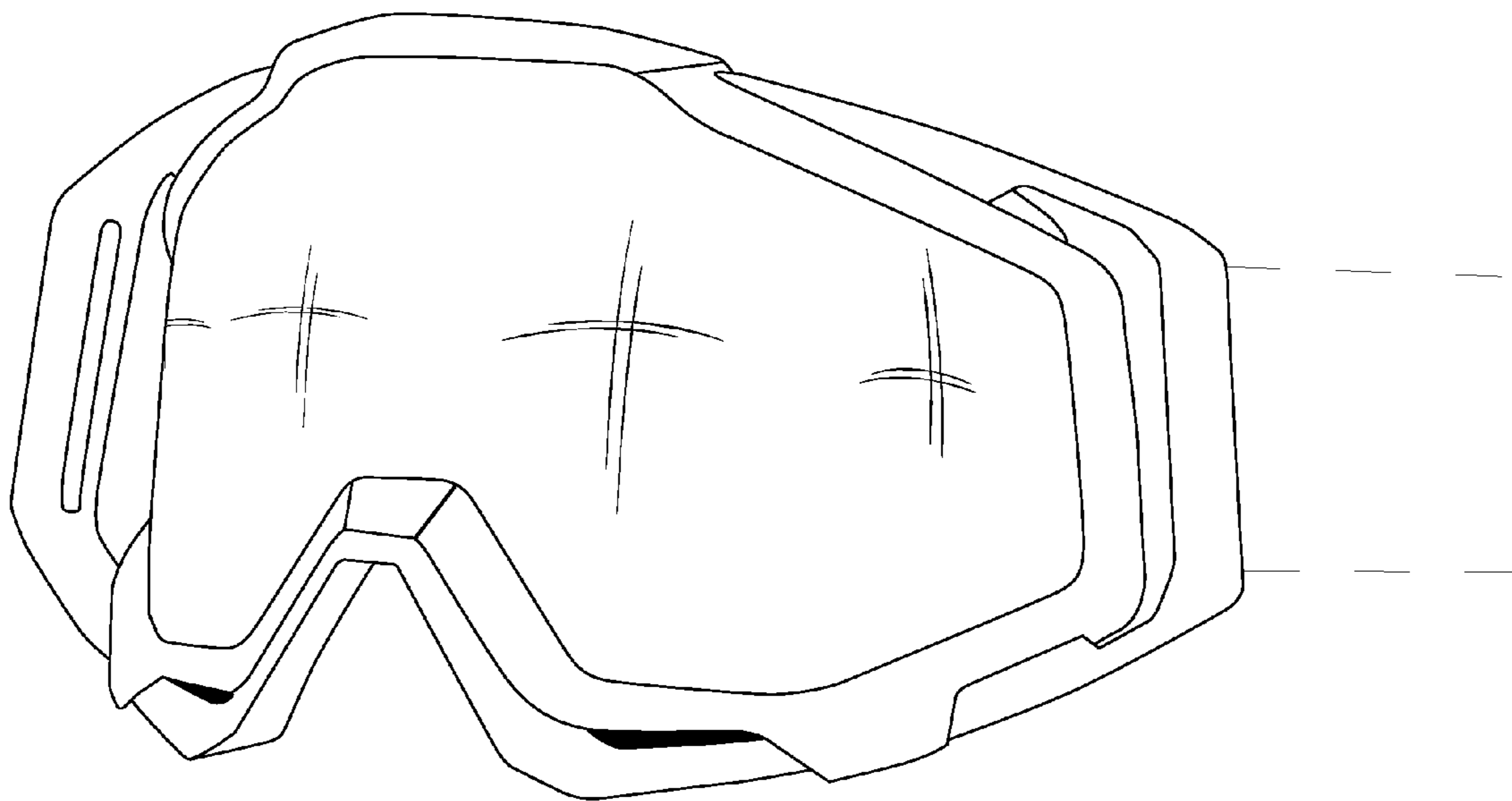


FIG. 2

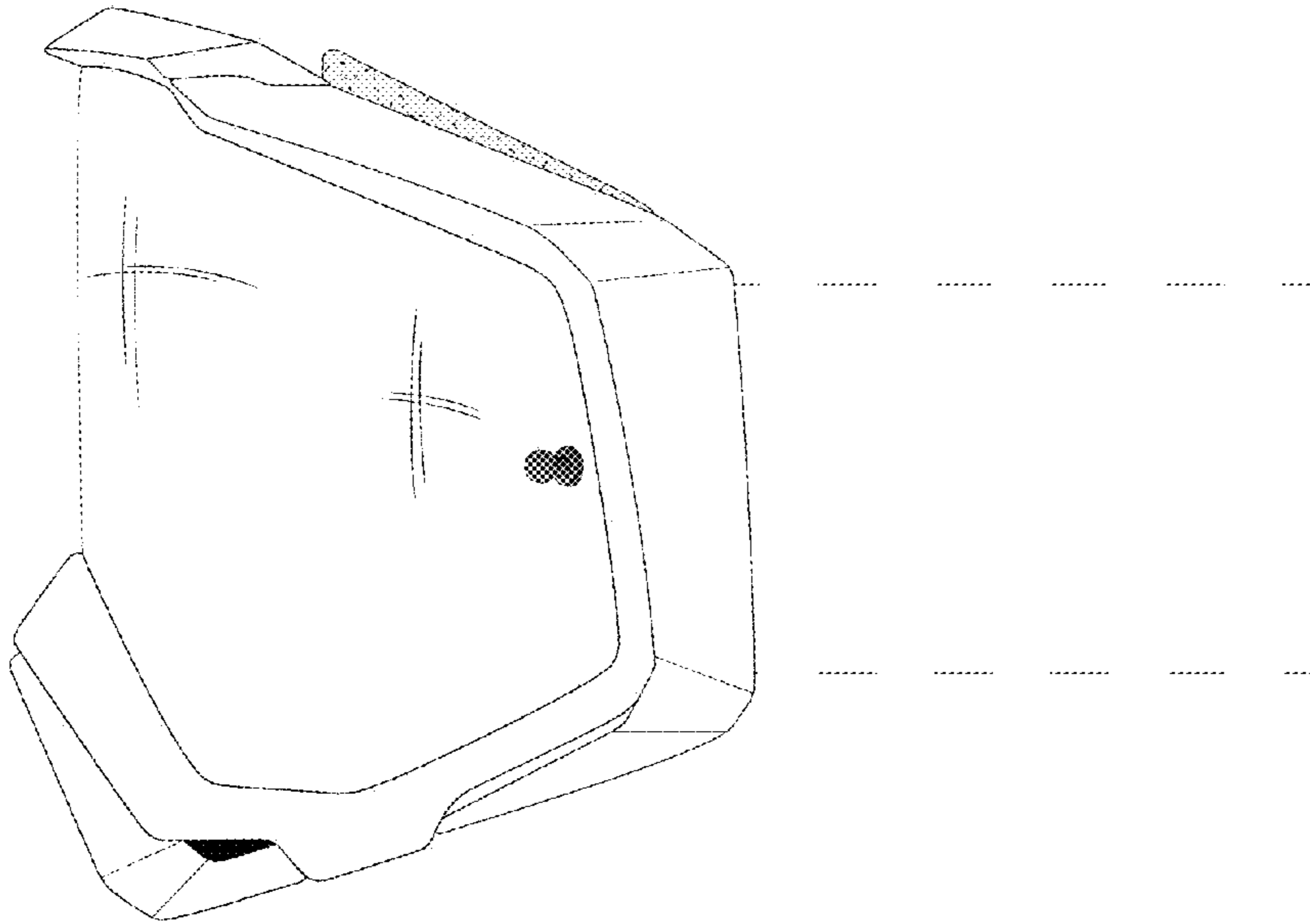


FIG. 3

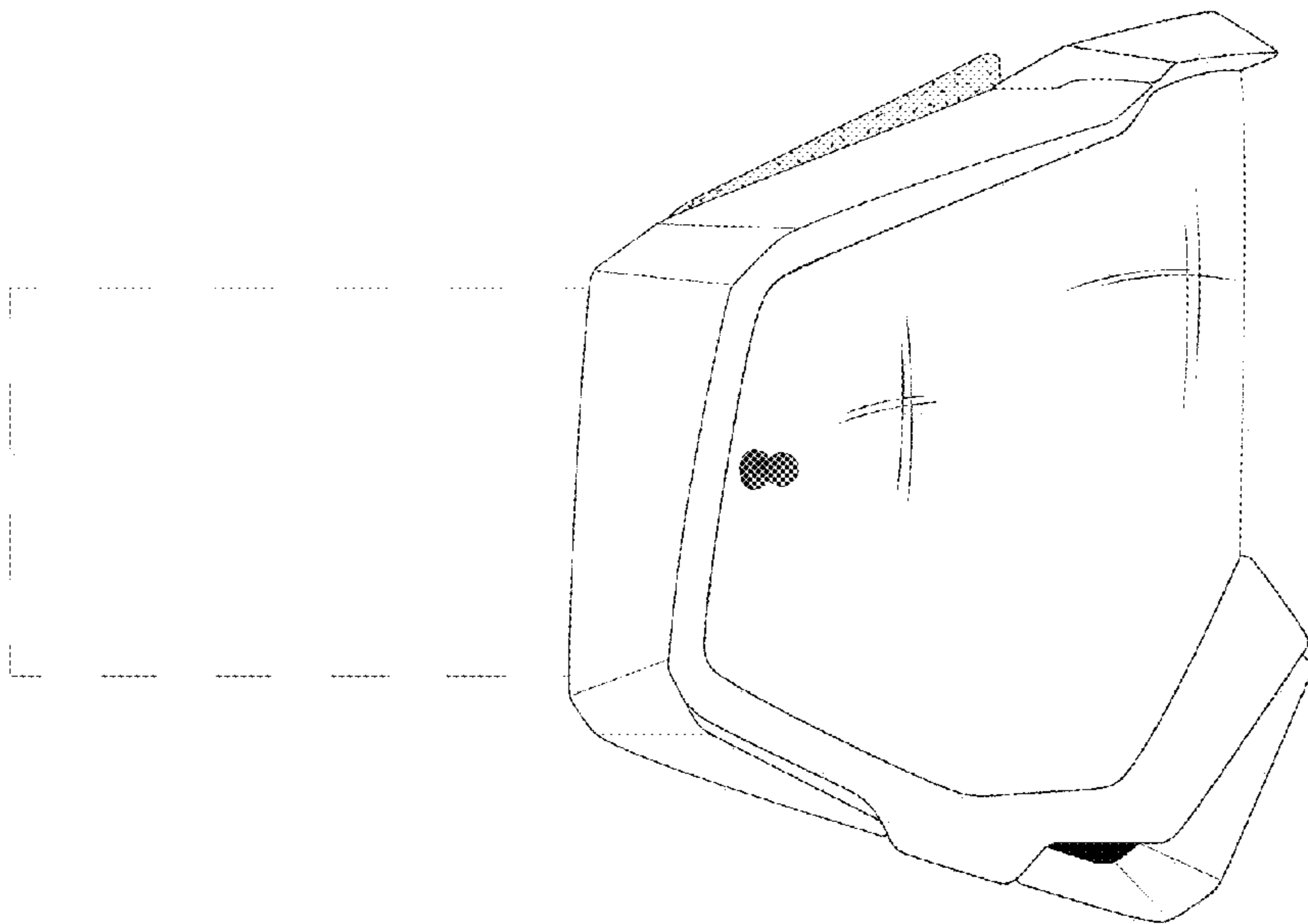


FIG. 4

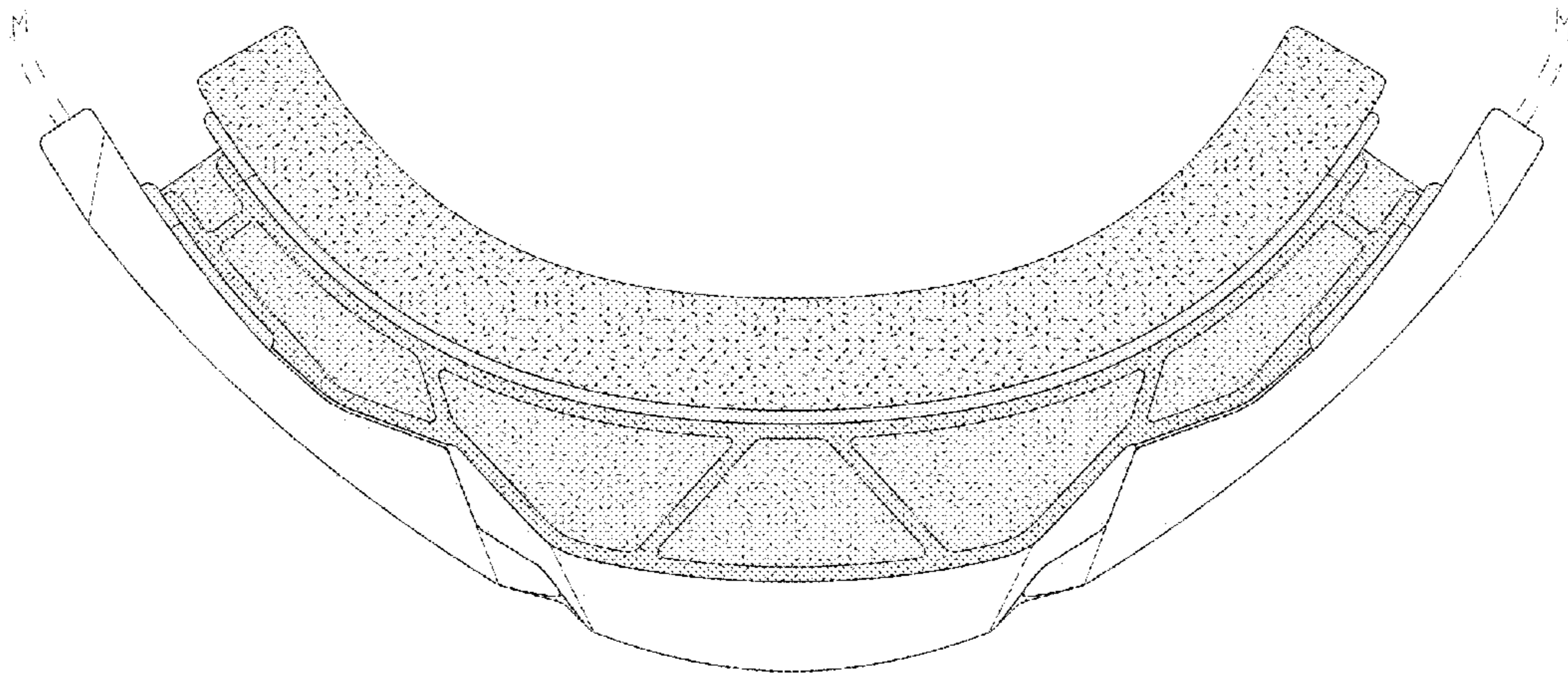


FIG. 5

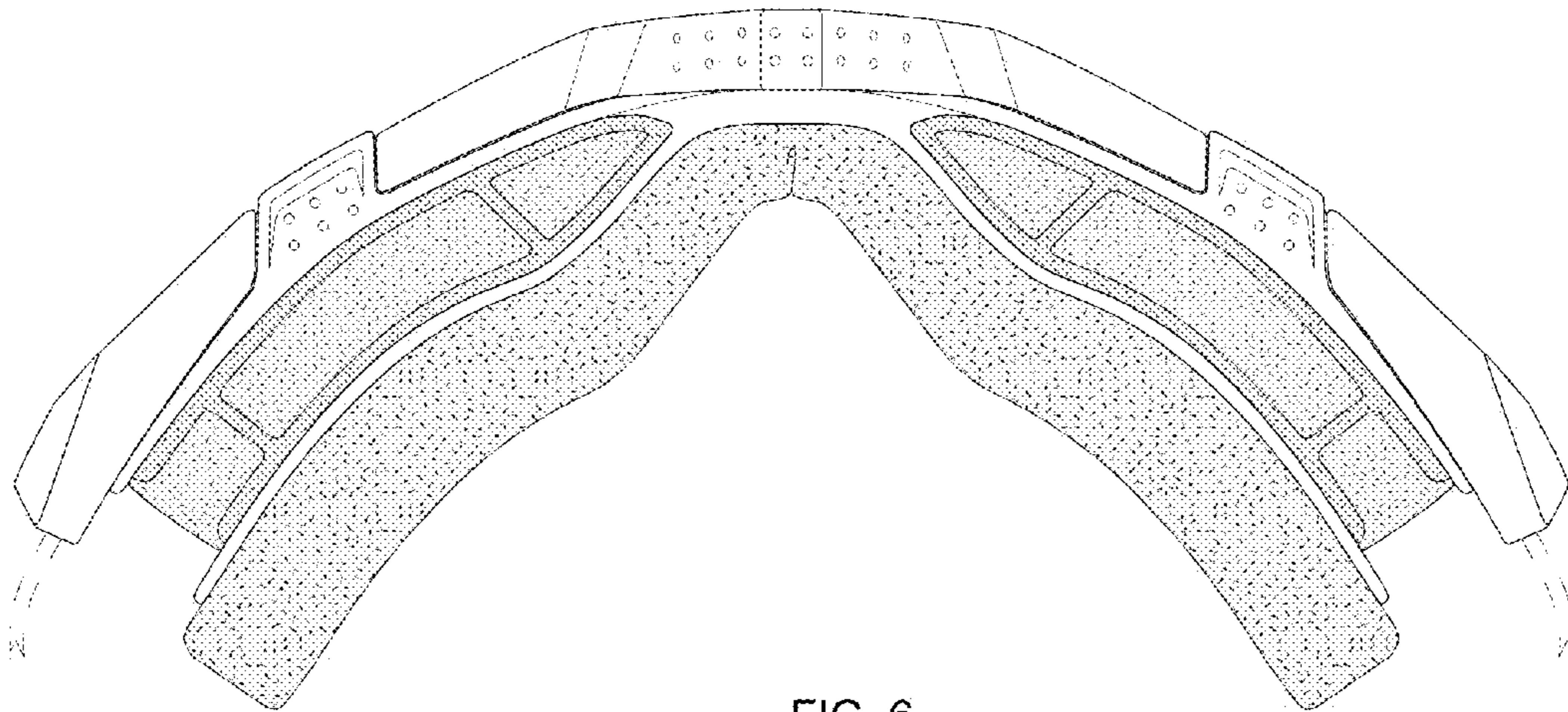


FIG. 6