



US00D694803S

(12) **United States Design Patent**
Geller

(10) **Patent No.:** **US D694,803 S**

(45) **Date of Patent:** **** Dec. 3, 2013**

(54) **BRACKET FOR A CAMERA**

(76) Inventor: **Wolfgang-Peter Geller**, Garlstorf (DE)

(**) Term: **14 Years**

(21) Appl. No.: **29/404,339**

(22) Filed: **Oct. 19, 2011**

(30) **Foreign Application Priority Data**

Apr. 21, 2011 (DE) 402011002595

(51) **LOC (9) Cl.** **16-05**

(52) **U.S. Cl.**
USPC **D16/242**

(58) **Field of Classification Search**

USPC D16/38, 38.42, 237, 239, 242;
D48/16 D; 354/81, 126, 145.1, 293,
354/295; 362/3

See application file for complete search history.

(56) **References Cited**

U.S. PATENT DOCUMENTS

3,575,098 A * 4/1971 Jones 396/422
3,855,602 A * 12/1974 Hoos 396/422
4,104,623 A * 8/1978 Sloop 396/422
D256,128 S * 7/1980 Borisoff D16/243
4,710,005 A * 12/1987 Bennett 396/189
D302,697 S * 8/1989 Parrish D16/242

4,866,465 A * 9/1989 Gallegos 396/189
D314,501 S * 2/1991 Pagano D8/363
5,305,034 A * 4/1994 Aratani 396/420
D351,851 S * 10/1994 Justice D16/243
6,000,859 A * 12/1999 Mulcahy et al. 396/422
6,042,277 A * 3/2000 Errington 396/419
D591,324 S * 4/2009 Sukhov D16/242

* cited by examiner

Primary Examiner — Philip S Hyder

Assistant Examiner — Darlington Ly

(74) *Attorney, Agent, or Firm* — Sand & Sebolt

(57) **CLAIM**

The ornamental design for a bracket for a camera, as shown and described.

DESCRIPTION

FIG. 1 is a front view of a bracket for a camera in accordance with the present design;

FIG. 2 is an enlarged front view of the support bracket of FIG. 1;

FIG. 3 is an enlarged back view thereof;

FIG. 4 is an enlarged left side view thereof;

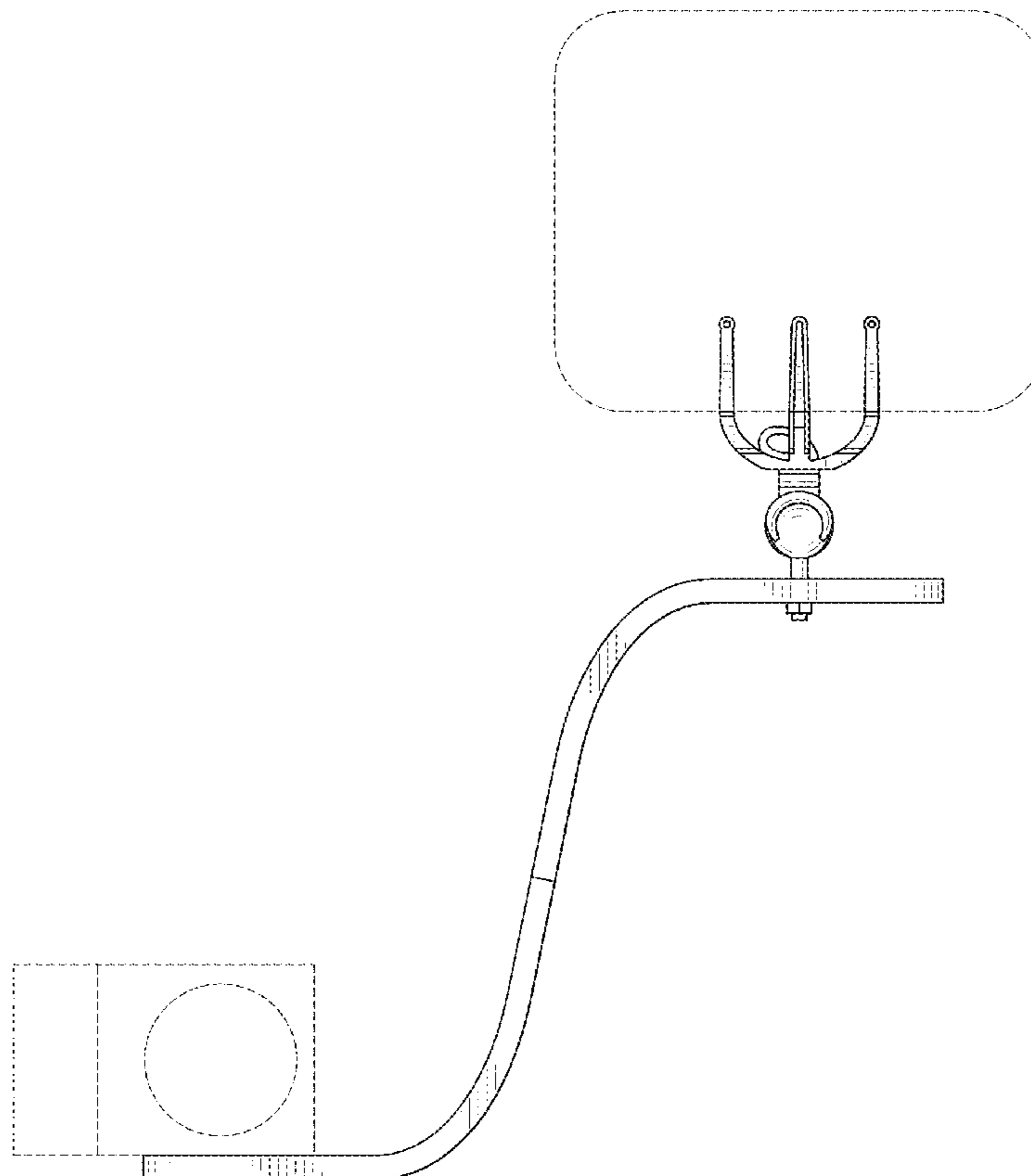
FIG. 5 is an enlarged right side view thereof;

FIG. 6 is an enlarged top view thereof; and,

FIG. 7 is an enlarged bottom view thereof.

The broken lines shown in the drawings illustrate portions of the bracket for a camera and environmental structure that form no part of the claimed design.

1 Claim, 5 Drawing Sheets



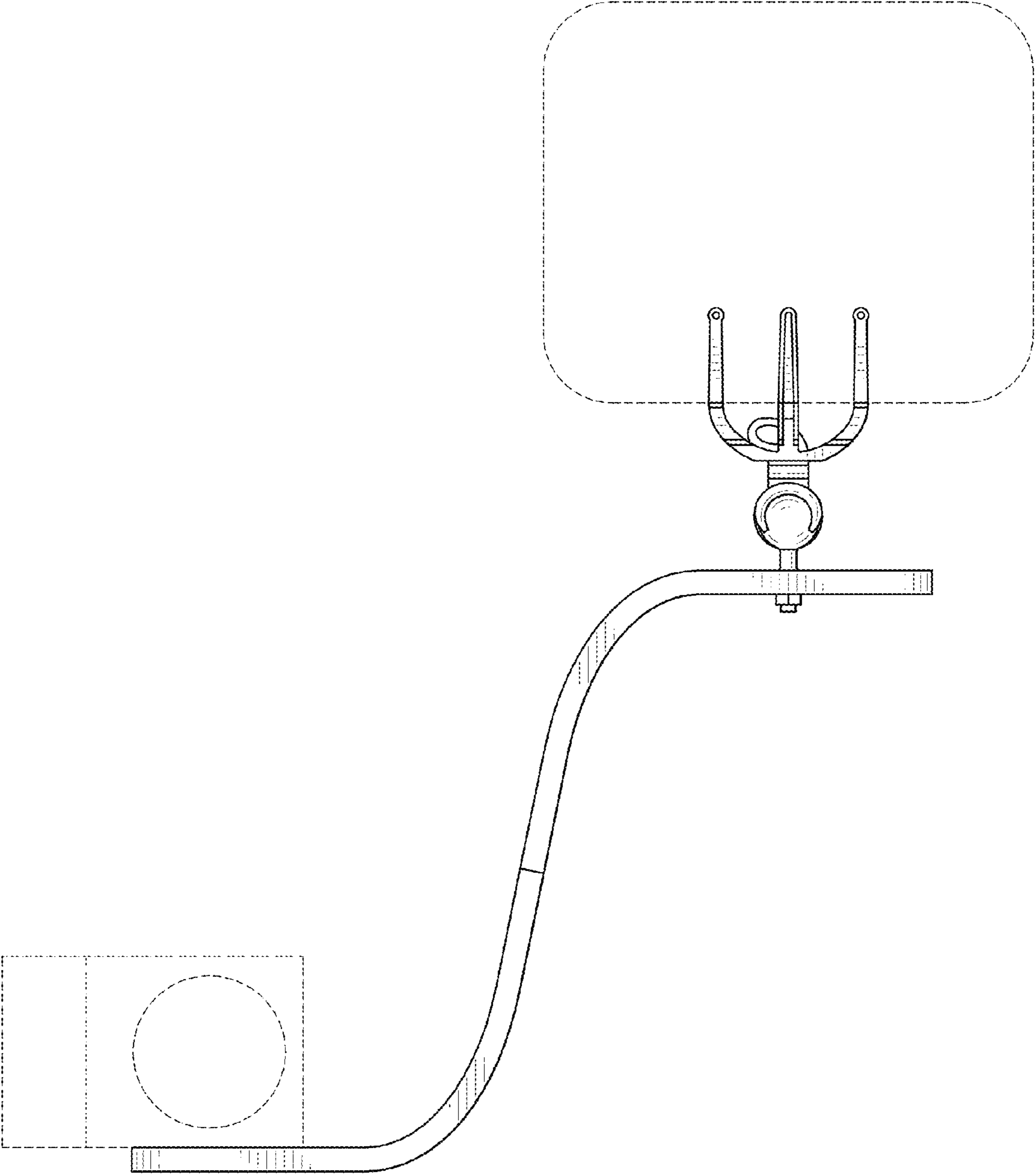


FIG-1

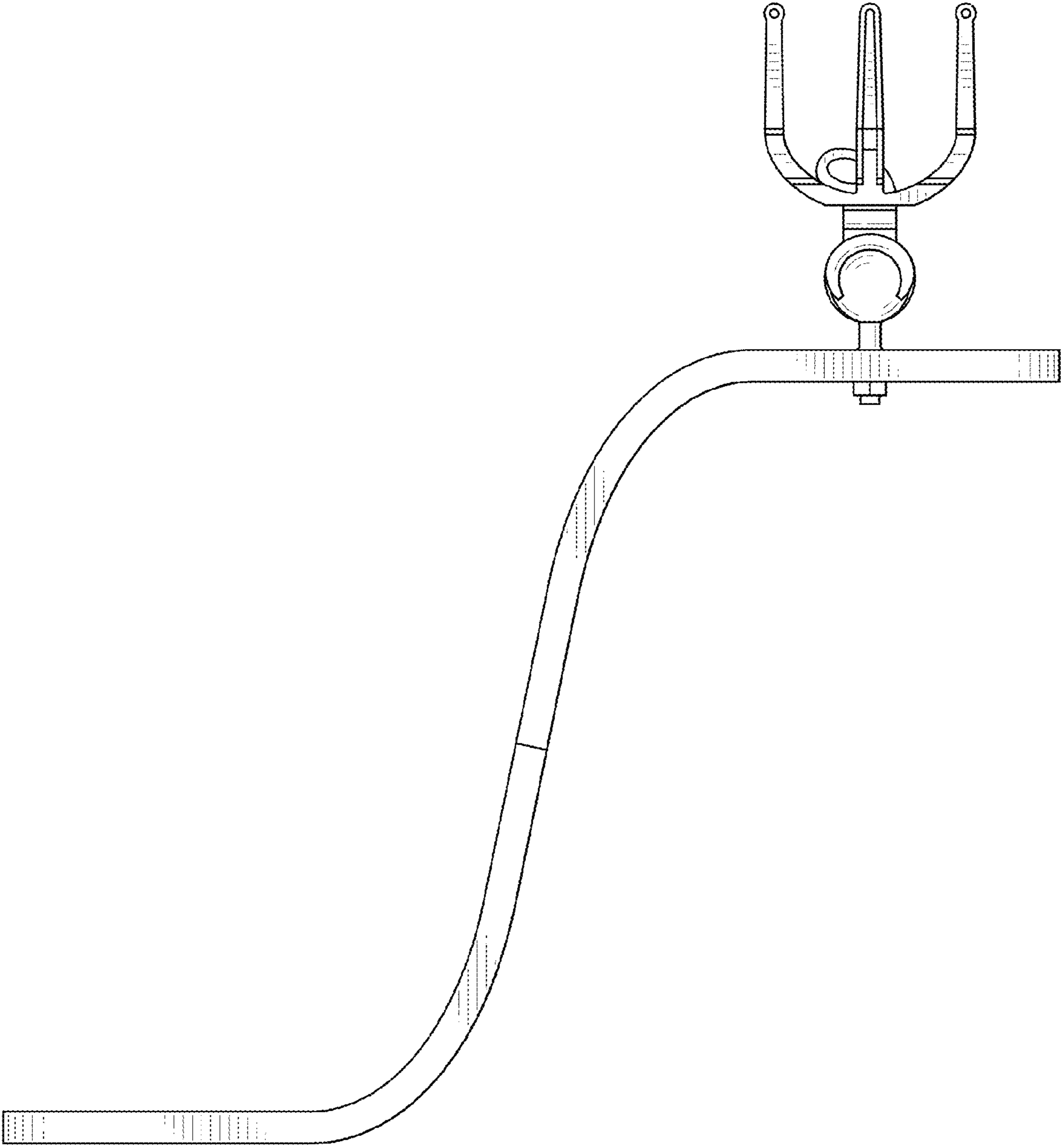


FIG-2

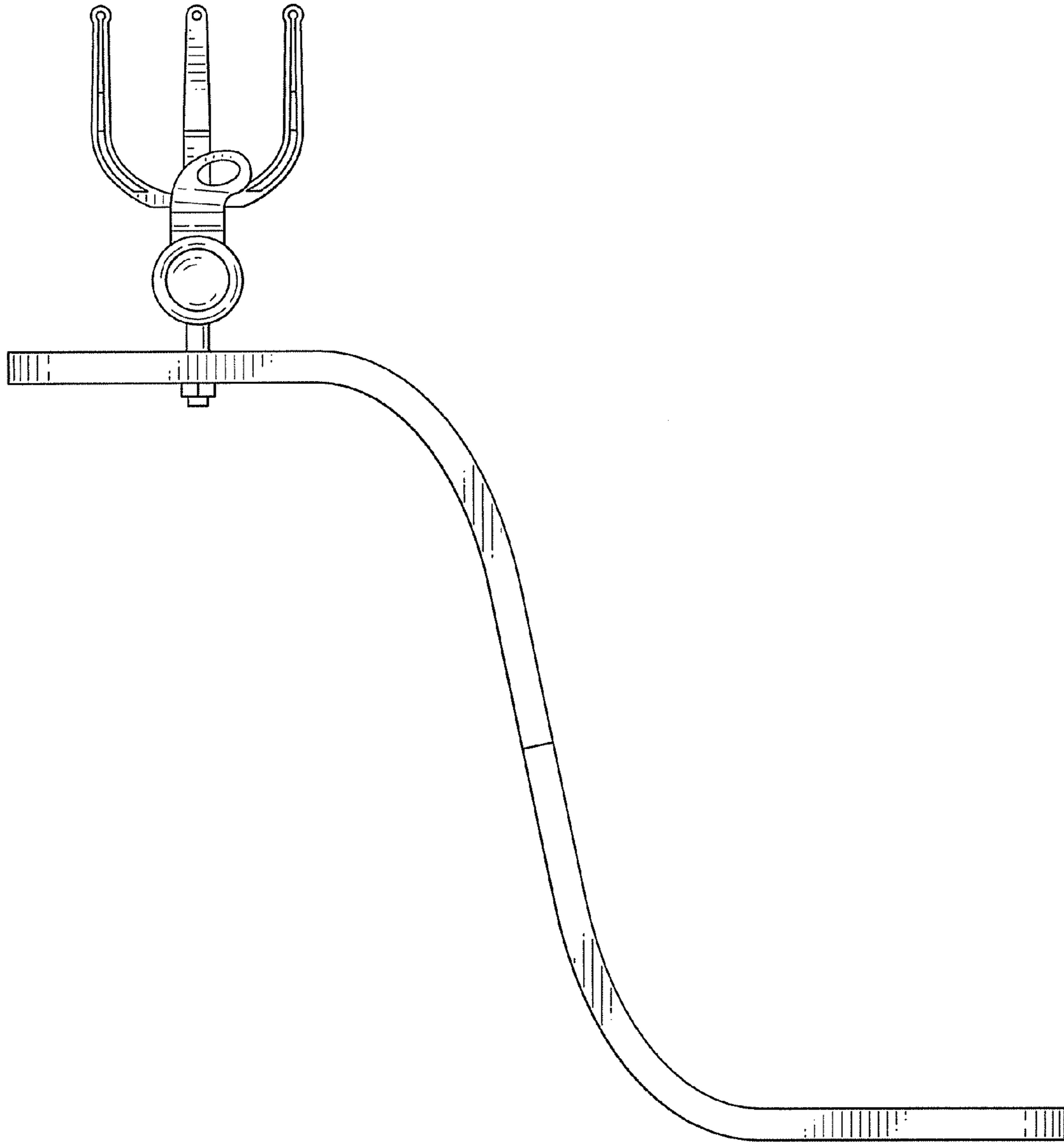


FIG-3

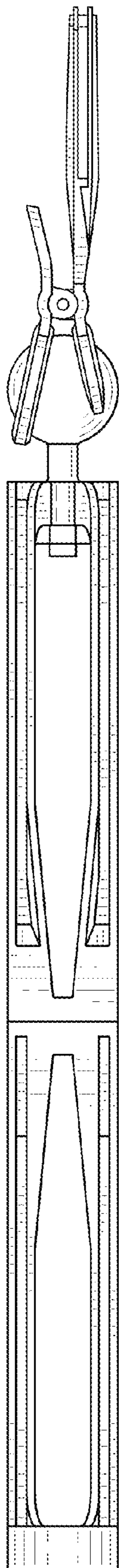


FIG-4

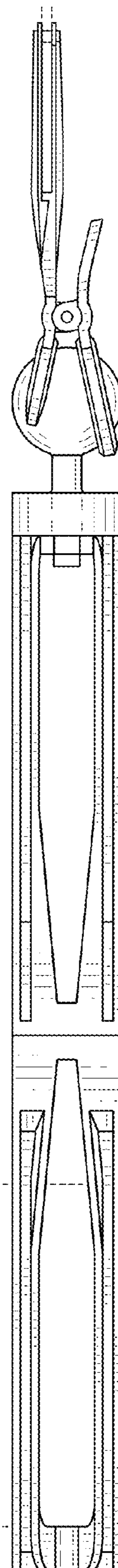
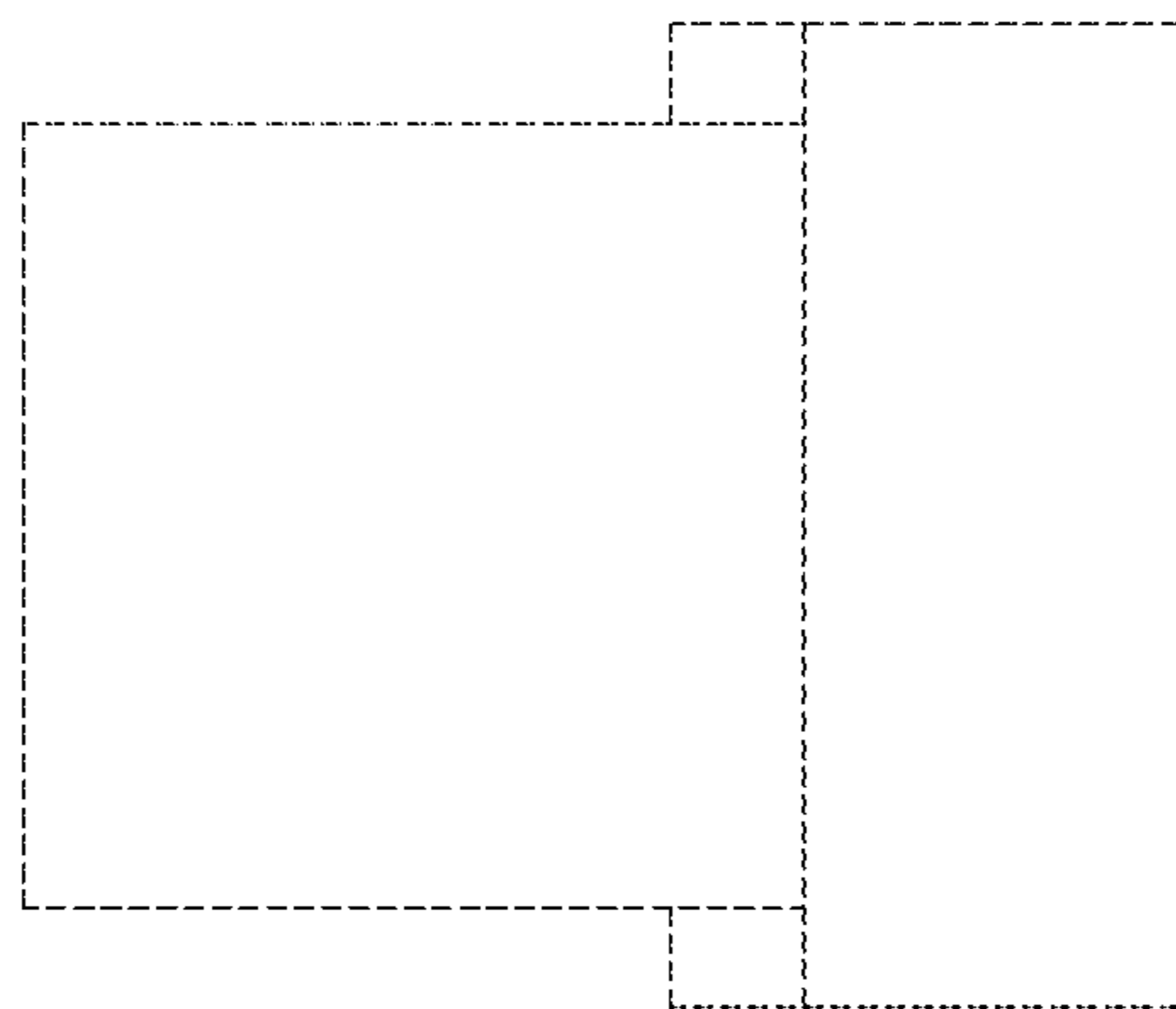


FIG-5



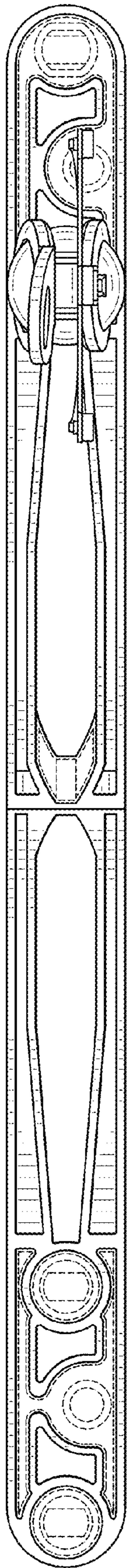


FIG-6

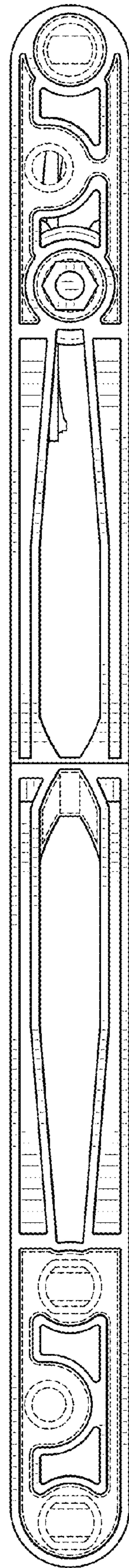


FIG-7