



US00D694802S

(12) **United States Design Patent**
Coyle et al.

(10) **Patent No.:** **US D694,802 S**
(45) **Date of Patent:** **** Dec. 3, 2013**

(54) **CAMERA GIMBAL**

(75) Inventors: **John Dean Coyle**, Queenstown (NZ);
Bradley Stephen Hurndell,
Queenstown (NZ)

(73) Assignee: **Shotover Camera Systems Limited**,
Queenstown (NZ)

(**) Term: **14 Years**

(21) Appl. No.: **29/397,522**

(22) Filed: **Jul. 18, 2011**

(51) **LOC (9) Cl.** **16-05**

(52) **U.S. Cl.**
USPC **D16/237**

(58) **Field of Classification Search**
USPC D16/219, 235, 237, 242–245, 250;
D14/217, 511; 248/176.1, 177.1,
248/178.1, 179.1, 180.1, 183.1, 187.1, 683;
348/373, 375; 396/151, 373, 419–420,
396/422, 427–428, 535; D26/63; D24/158
See application file for complete search history.

(56) **References Cited**

U.S. PATENT DOCUMENTS

D163,240 S * 5/1951 Bacchieri D24/158
D257,039 S * 9/1980 Petrie D14/239

D271,698 S * 12/1983 Shishido D16/237
D457,673 S * 5/2002 Martinson et al. D26/63
D476,439 S * 6/2003 O'Rourke D26/63
D561,805 S * 2/2008 Tokiwa et al. D16/208
D575,322 S * 8/2008 Aiba D16/245
D577,453 S * 9/2008 Metlen D26/63
D594,050 S * 6/2009 Gartner et al. D16/237
D615,231 S * 5/2010 van Klinken D26/63
D648,056 S * 11/2011 Muehlhaeusler et al. D26/63
8,177,395 B2 * 5/2012 Alexander et al. 362/294

* cited by examiner

Primary Examiner — Susan Bennett Hattan

Assistant Examiner — Vy Koenig

(74) *Attorney, Agent, or Firm* — Eugene M. Cummings, P.C.

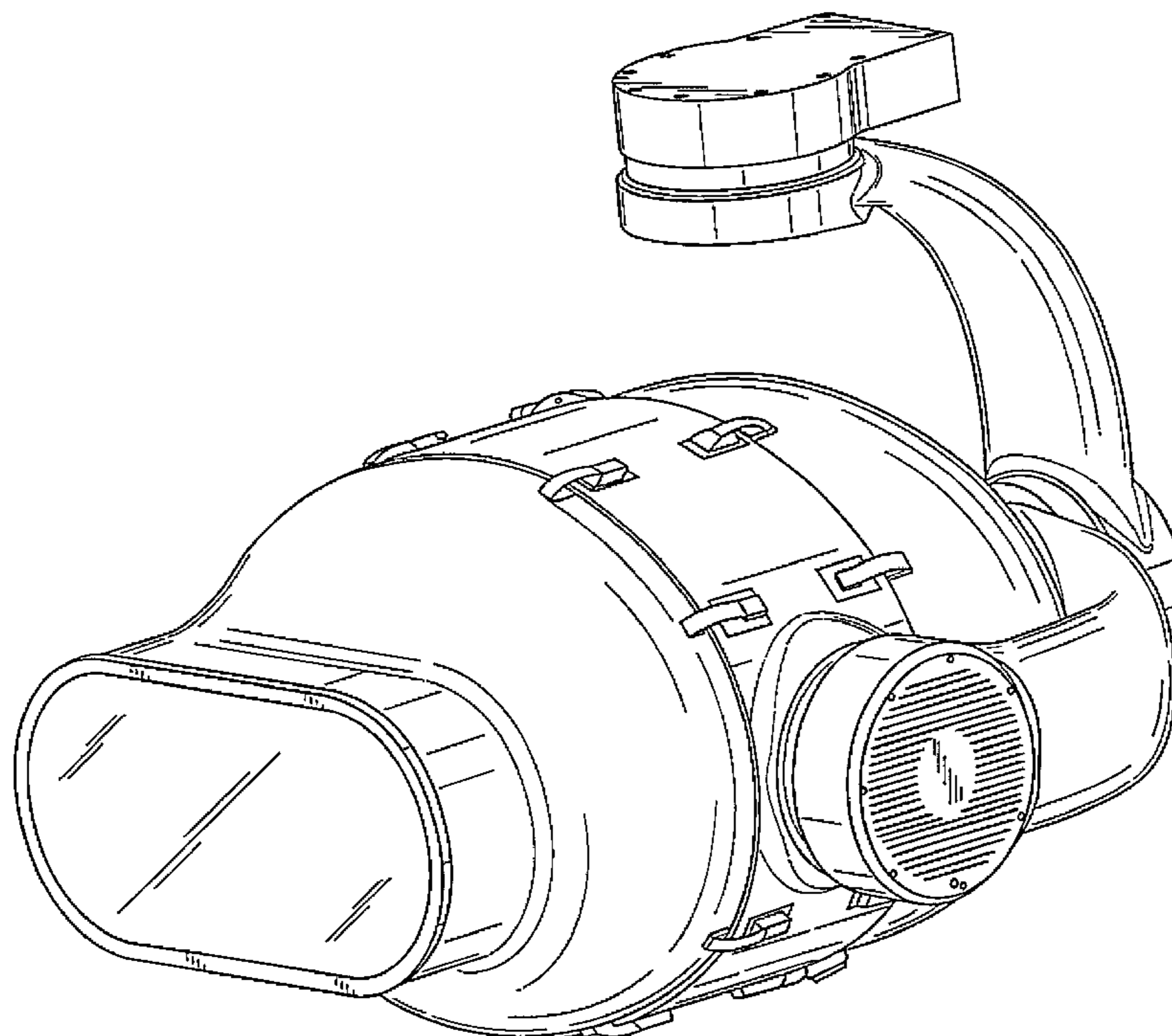
(57) **CLAIM**

The ornamental design for the camera gimbal, as shown and described.

DESCRIPTION

FIG. 1 is an isometric view of the camera gimbal.
FIG. 2 is a front elevation view of FIG. 1.
FIG. 3 is a left side elevation view of FIG. 1.
FIG. 4 is a rear elevation view of FIG. 1.
FIG. 5 is a right side elevation view of FIG. 1.
FIG. 6 is a top plan view of FIG. 1; and,
FIG. 7 is a bottom view of FIG. 1.

1 Claim, 7 Drawing Sheets



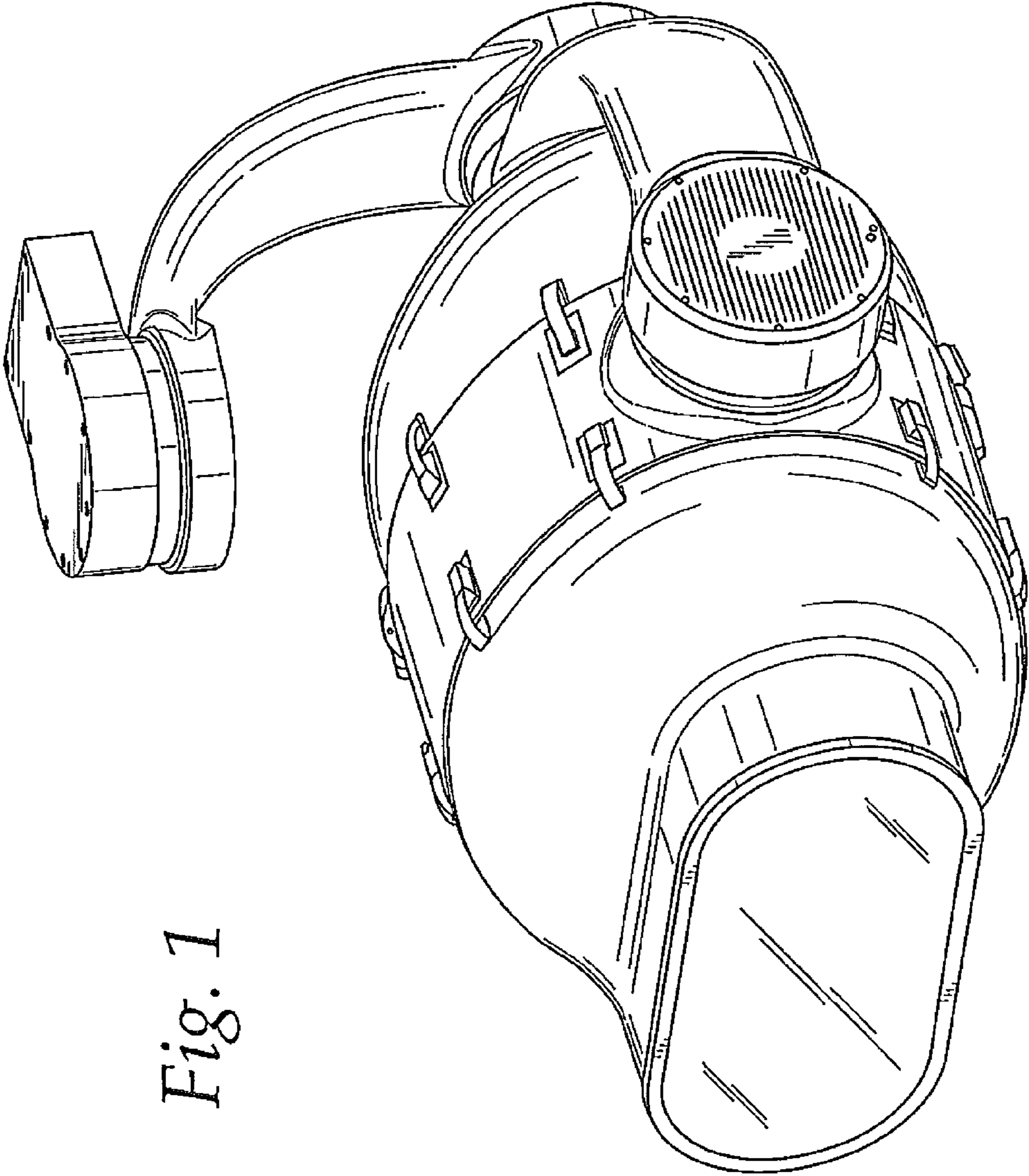


Fig. 1

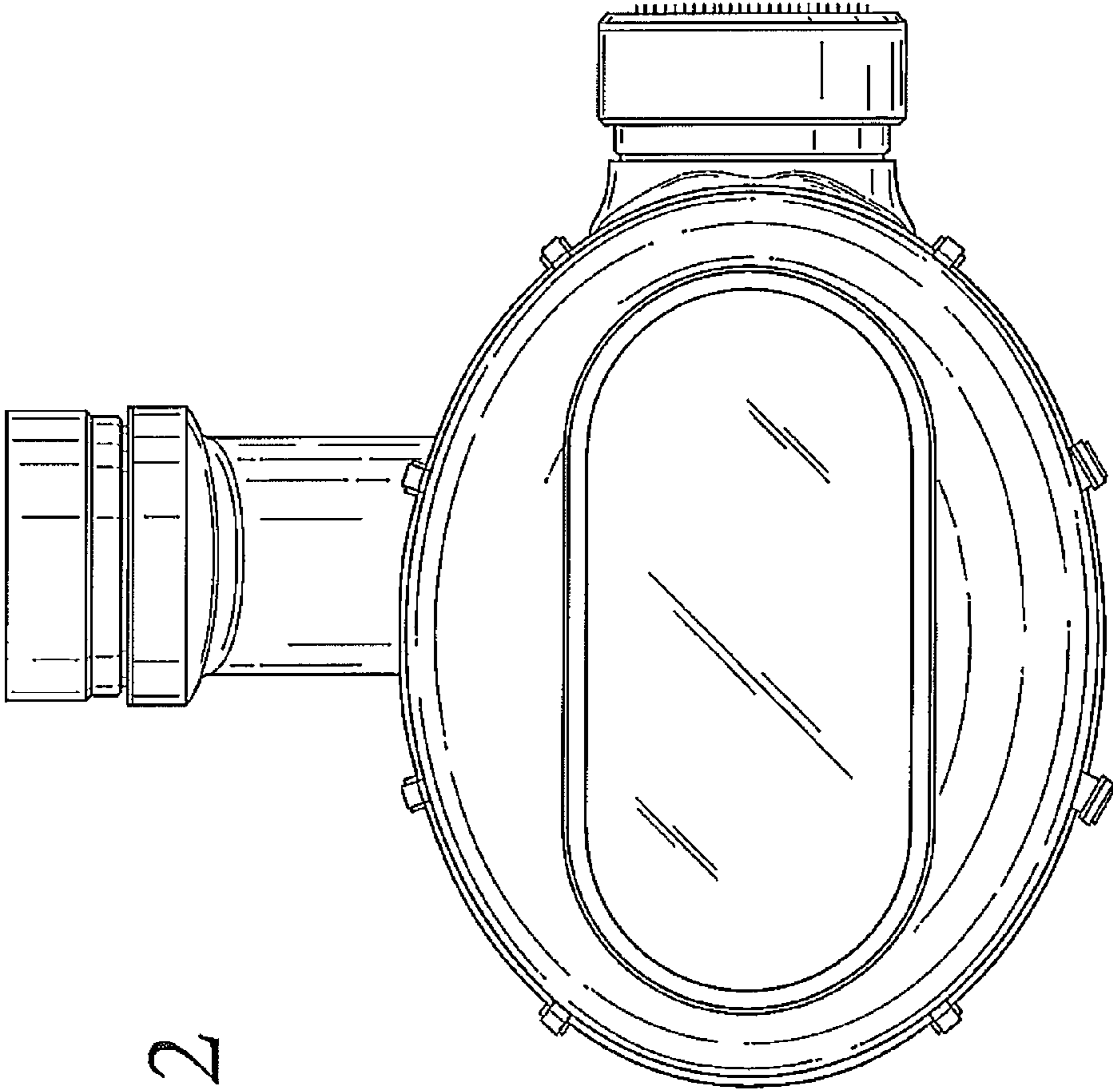


Fig. 2

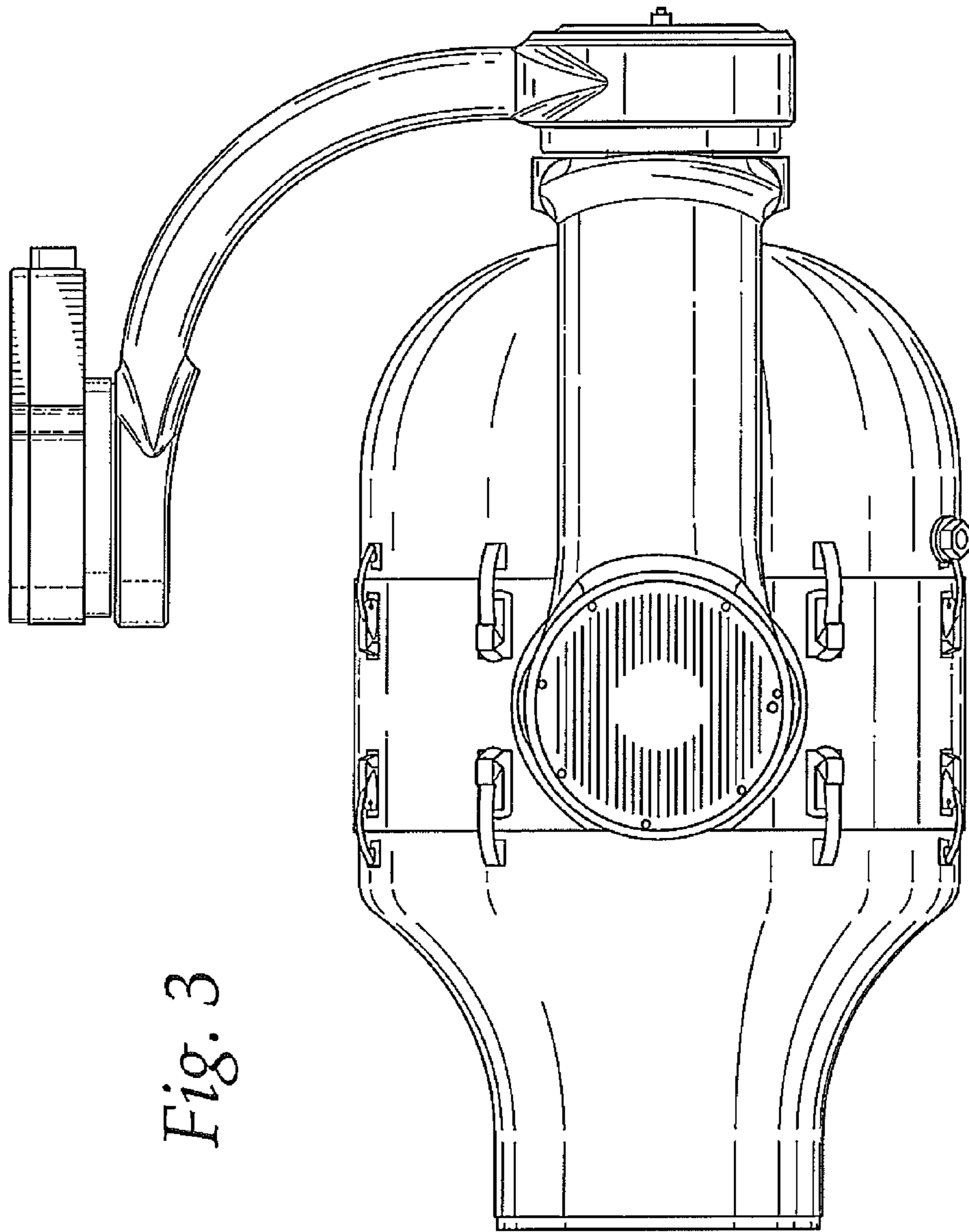


Fig. 3

Fig. 4

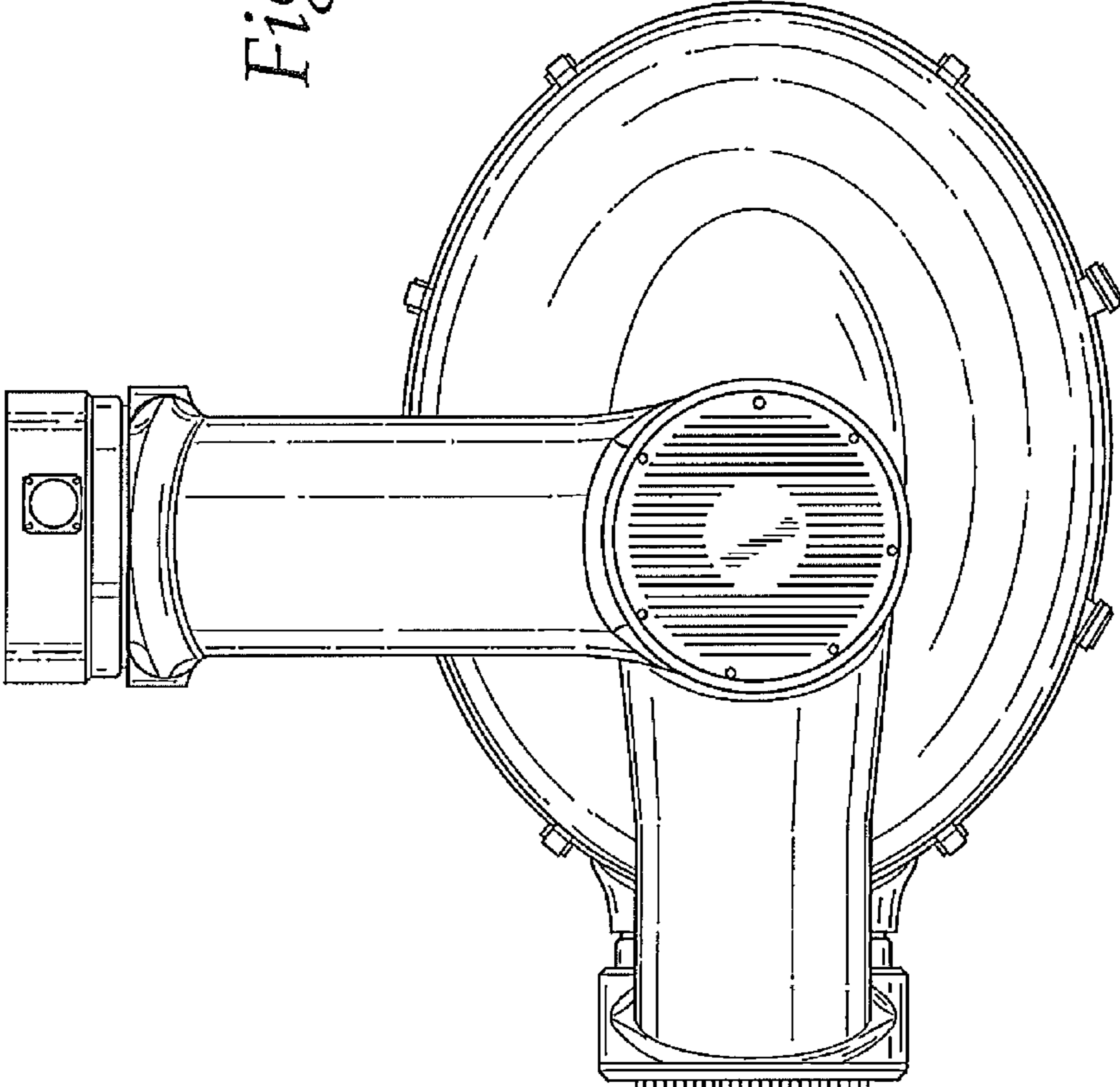


Fig. 5

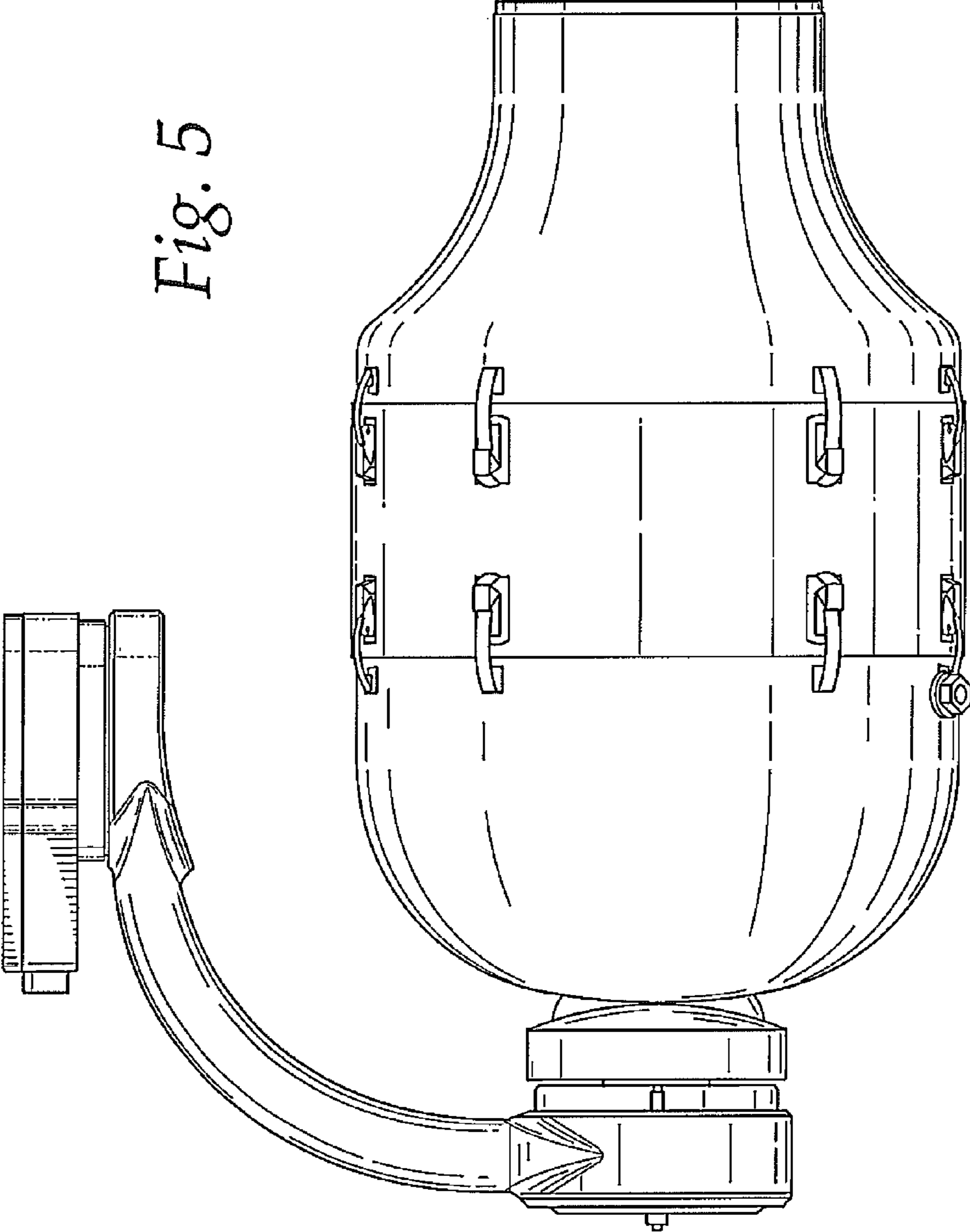
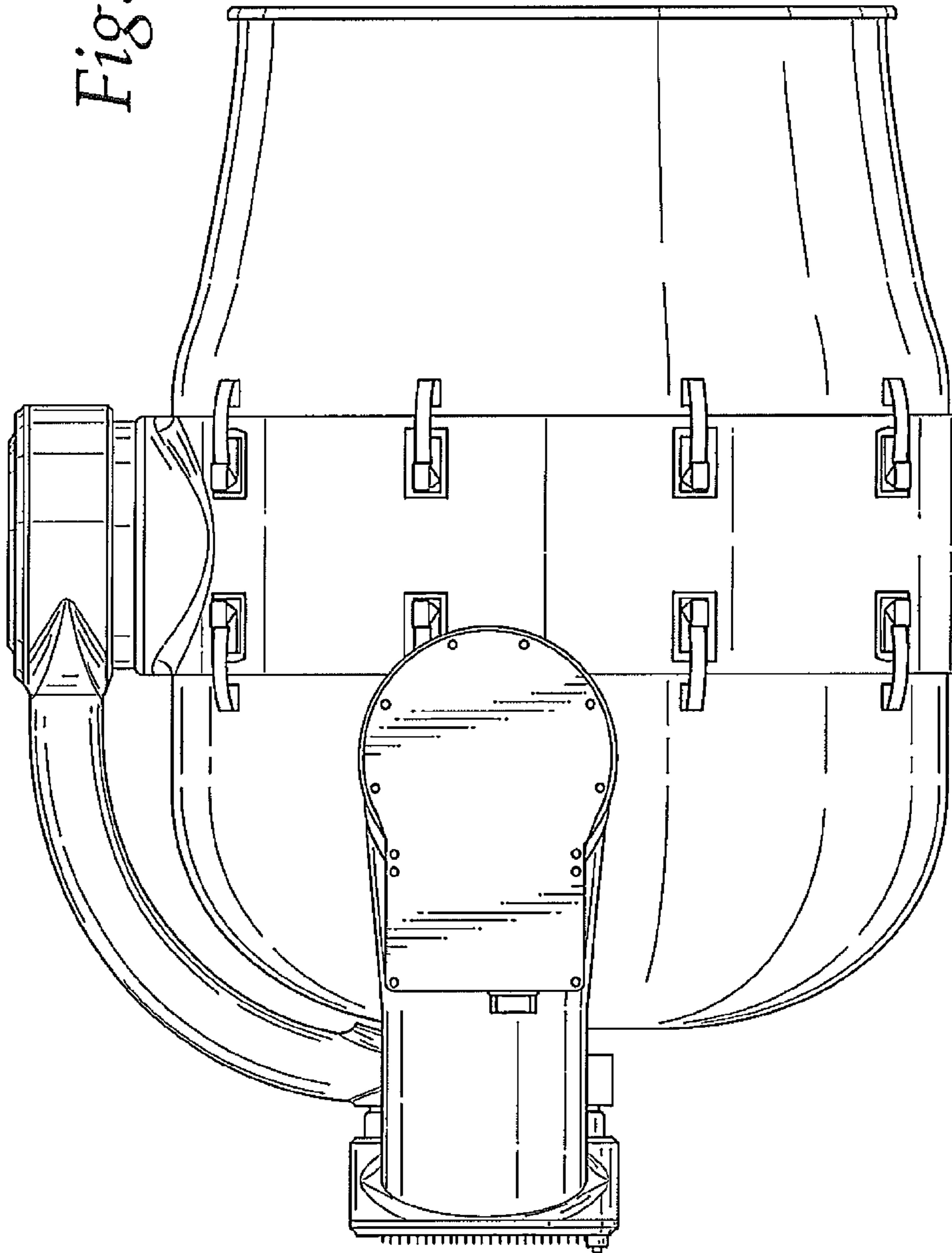


Fig. 6



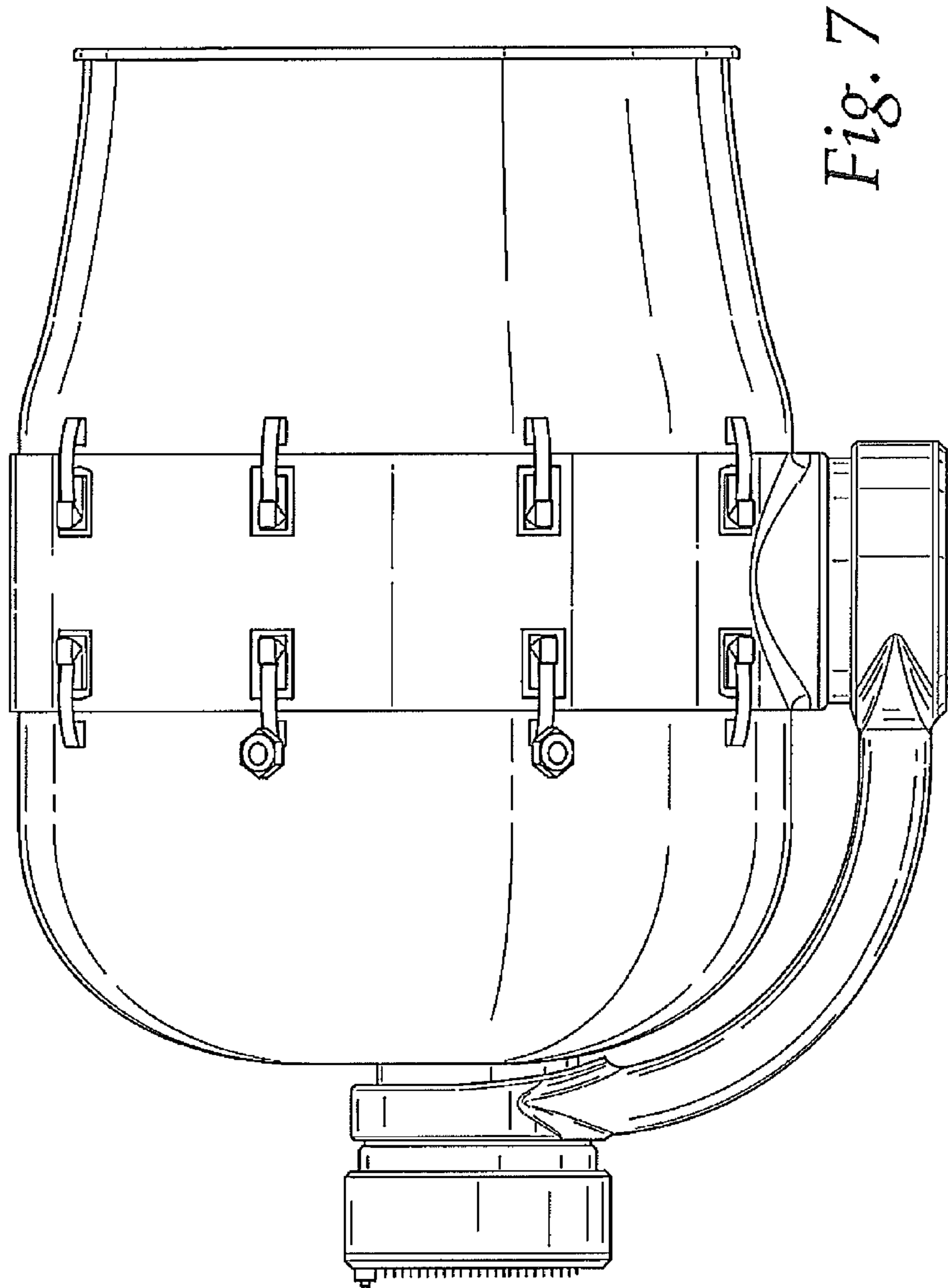


Fig. 7