

US00D694799S

(12) **United States Design Patent**
Song et al.

(10) **Patent No.:** **US D694,799 S**

(45) **Date of Patent:** **** Dec. 3, 2013**

(54) **CAMERA**

(75) Inventors: **Xiaofeng Song**, Beijing (CN); **Takatoshi Nakamura**, Tokyo (JP); **Shinichi Obata**, Tokyo (JP); **Takahiro Tsuge**, Tokyo (JP); **Daisuke Ishii**, Tokyo (JP); **Tomonari Murakami**, Tokyo (JP); **Kaoru Sumita**, Tokyo (JP)

(73) Assignee: **Sony Corporation**, Tokyo (JP)

(**) Term: **14 Years**

(21) Appl. No.: **29/371,667**

(22) Filed: **Jun. 28, 2011**

(30) **Foreign Application Priority Data**

Dec. 29, 2010	(JP)	D2010-031607
Dec. 30, 2010	(JP)	D2010-031616
Dec. 30, 2010	(JP)	D2010-031617
Dec. 30, 2010	(JP)	D2010-031618
Dec. 30, 2010	(JP)	D2010-031619
Jan. 28, 2011	(CN)	2011 3 0016966
Feb. 8, 2011	(JP)	D2011-002585
Feb. 8, 2011	(JP)	D2011-002588
Feb. 8, 2011	(JP)	D2011-002683
Feb. 8, 2011	(JP)	D2011-002684
Feb. 8, 2011	(JP)	D2011-002685
Feb. 8, 2011	(JP)	D2011-002686

(51) **LOC (9) Cl.** **16-05**

(52) **U.S. Cl.**
USPC **D16/219; D14/225**

(58) **Field of Classification Search**
USPC D16/200, 202, 204, 208, 212, 218, 219;
348/373, 374, 375, 376; 358/909.1;
396/349, 448, 535, 536, 537, 538, 539,
396/540, 541; D14/225, 226

See application file for complete search history.

(56) **References Cited**

U.S. PATENT DOCUMENTS

3,027,423	A *	3/1962	Reinthaler	381/356
D390,197	S *	2/1998	Thomas	D13/174
D402,269	S *	12/1998	Waters	D13/171
6,341,202	B1 *	1/2002	Hosokawa et al.	396/281
D489,057	S *	4/2004	Obata et al.	D14/225
D508,711	S *	8/2005	Suzuki	D16/218
D521,038	S *	5/2006	Takagi	D16/200
D527,403	S *	8/2006	Byun et al.	D16/202
D530,357	S *	10/2006	Takahashi et al.	D16/219

(Continued)

Primary Examiner — Cynthia Underwood

(74) *Attorney, Agent, or Firm* — Rader, Fishman & Grauer PLLC

(57) **CLAIM**

The ornamental design for a camera, as shown and described.

DESCRIPTION

FIG. 1 is a perspective view of a first embodiment of a camera showing our new design;

FIG. 2 is a front elevational view thereof;

FIG. 3 is a right side elevational view thereof;

FIG. 4 is a left side elevational view thereof; and

FIG. 5 is a top plan view thereof.

FIG. 6 is a perspective view of a second embodiment of a camera showing our new design;

FIG. 7 is a front elevational view thereof;

FIG. 8 is a right side elevational view thereof;

FIG. 9 is a left side elevational view thereof; and

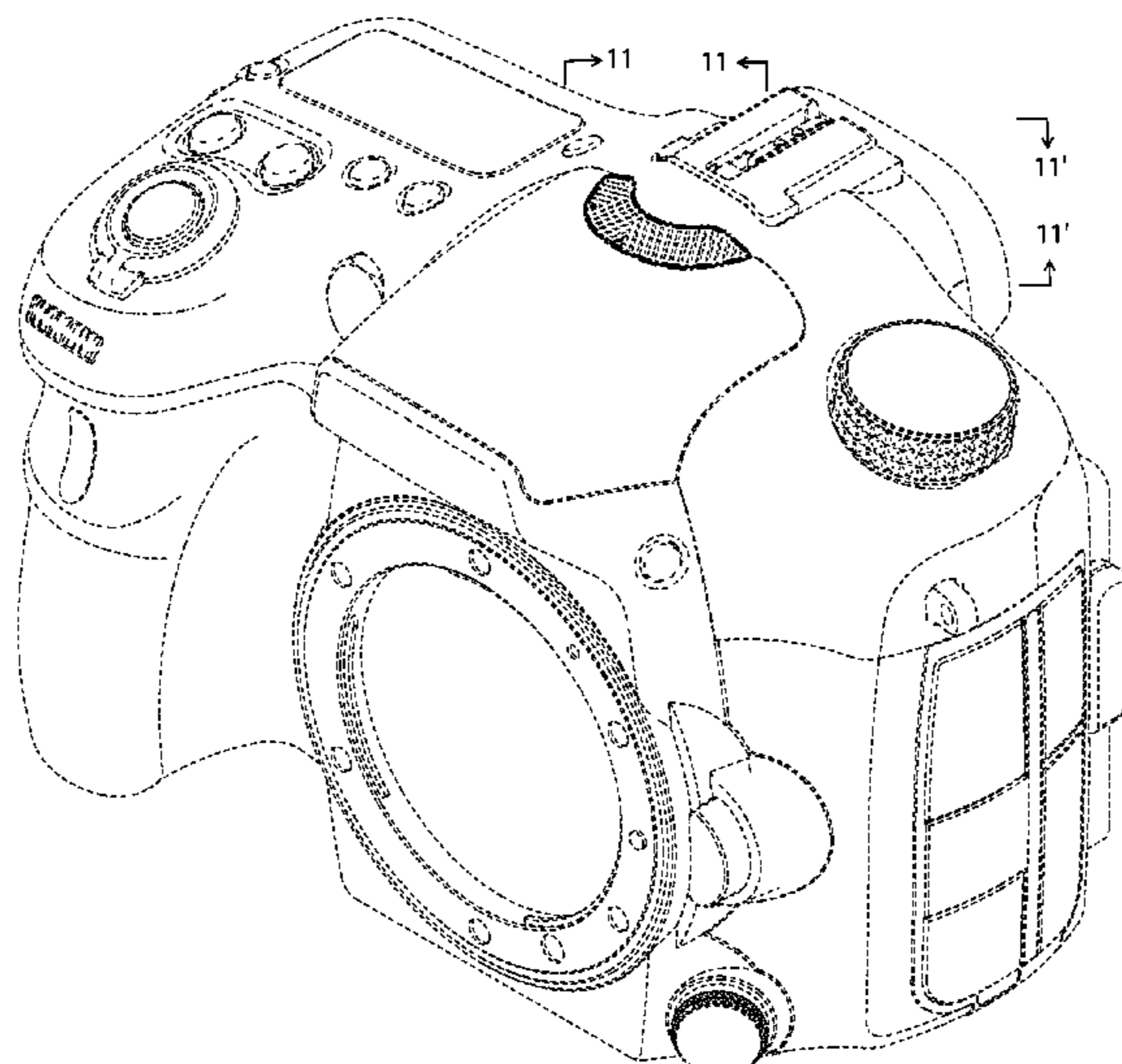
FIG. 10 is a top plan view thereof.

FIG. 11 is an enlarged perspective view of the embodiment of FIG. 1 along the lines 11-11 and 11'-11' of FIG. 1; and,

FIG. 12 is an enlarged perspective view of the embodiment of FIG. 6 along the lines 12-12 and 12'-12' of FIG. 6.

Portions in broken lines are for illustrative purposes only and form no part of claimed design. Dot-dash broken lines define the boundaries of, but not included in, the claimed design.

1 Claim, 10 Drawing Sheets



(56)

References Cited

U.S. PATENT DOCUMENTS

D532,031 S * 11/2006 Hayashi D16/218
D547,781 S * 7/2007 Martres et al. D16/202
D550,743 S * 9/2007 Bai D16/218
D552,646 S * 10/2007 Bai D16/202
D552,647 S * 10/2007 Bai D16/202
D554,628 S * 11/2007 Aoki D14/226
D565,625 S * 4/2008 Ikenaga et al. D16/219
D567,835 S 4/2008 Sumita
D570,390 S * 6/2008 Goto D16/208
D573,541 S * 7/2008 Wu D13/147

D589,073 S * 3/2009 Hibi D16/218
7,507,041 B2 * 3/2009 Ueda et al. 396/423
D594,855 S * 6/2009 Metlen et al. D14/225
D608,812 S * 1/2010 Tainaka D16/212
D630,662 S 1/2011 Miyashita
D630,668 S 1/2011 Miyashita
D640,301 S * 6/2011 Nohara D16/202
D652,854 S * 1/2012 Imai D16/219
D654,943 S * 2/2012 Ogasawara et al. D16/219
D662,961 S * 7/2012 Muraki D16/219
D662,963 S * 7/2012 Muraki D16/219
D665,836 S * 8/2012 Yanagi et al. D16/219

* cited by examiner

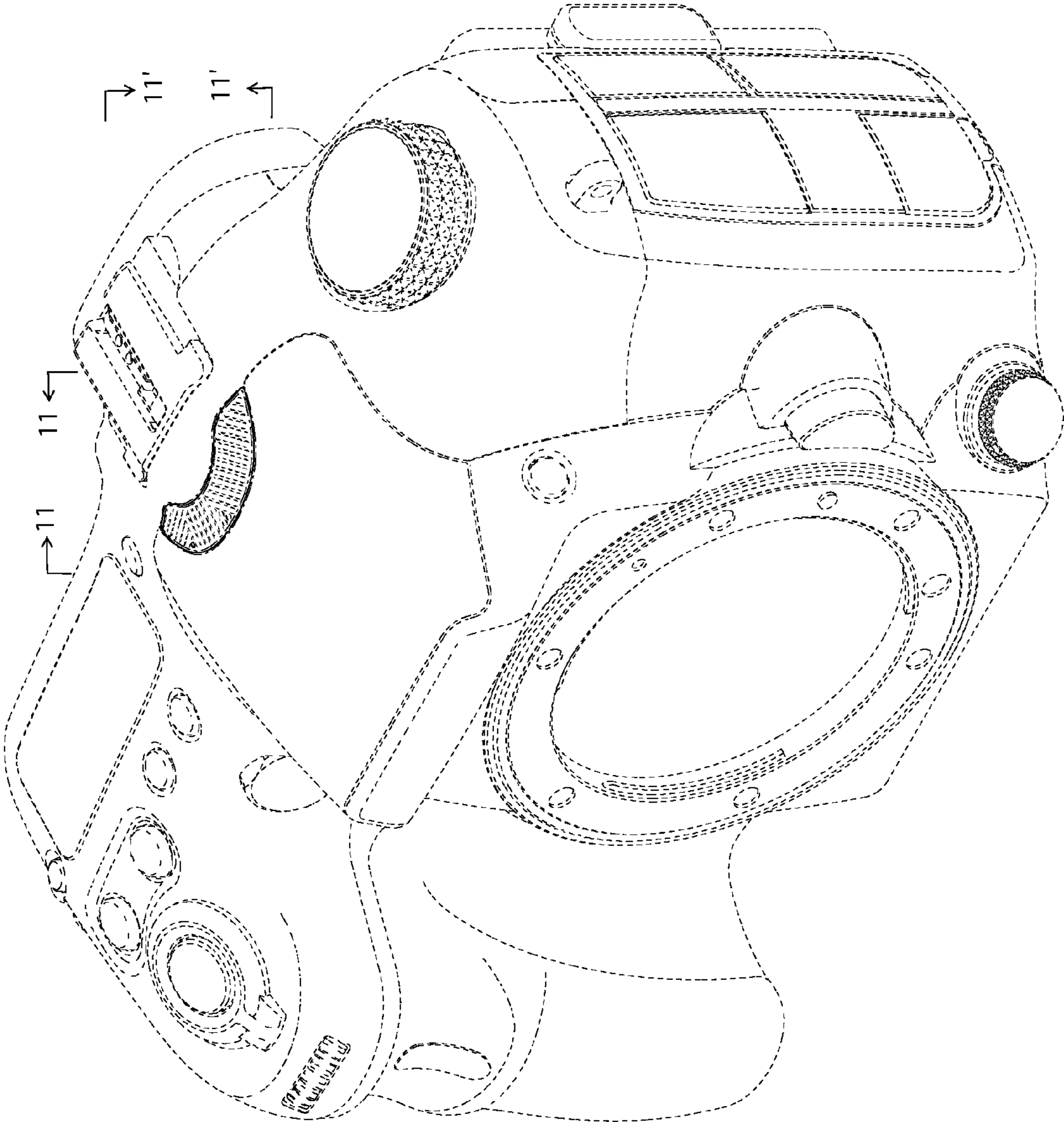


FIG.1

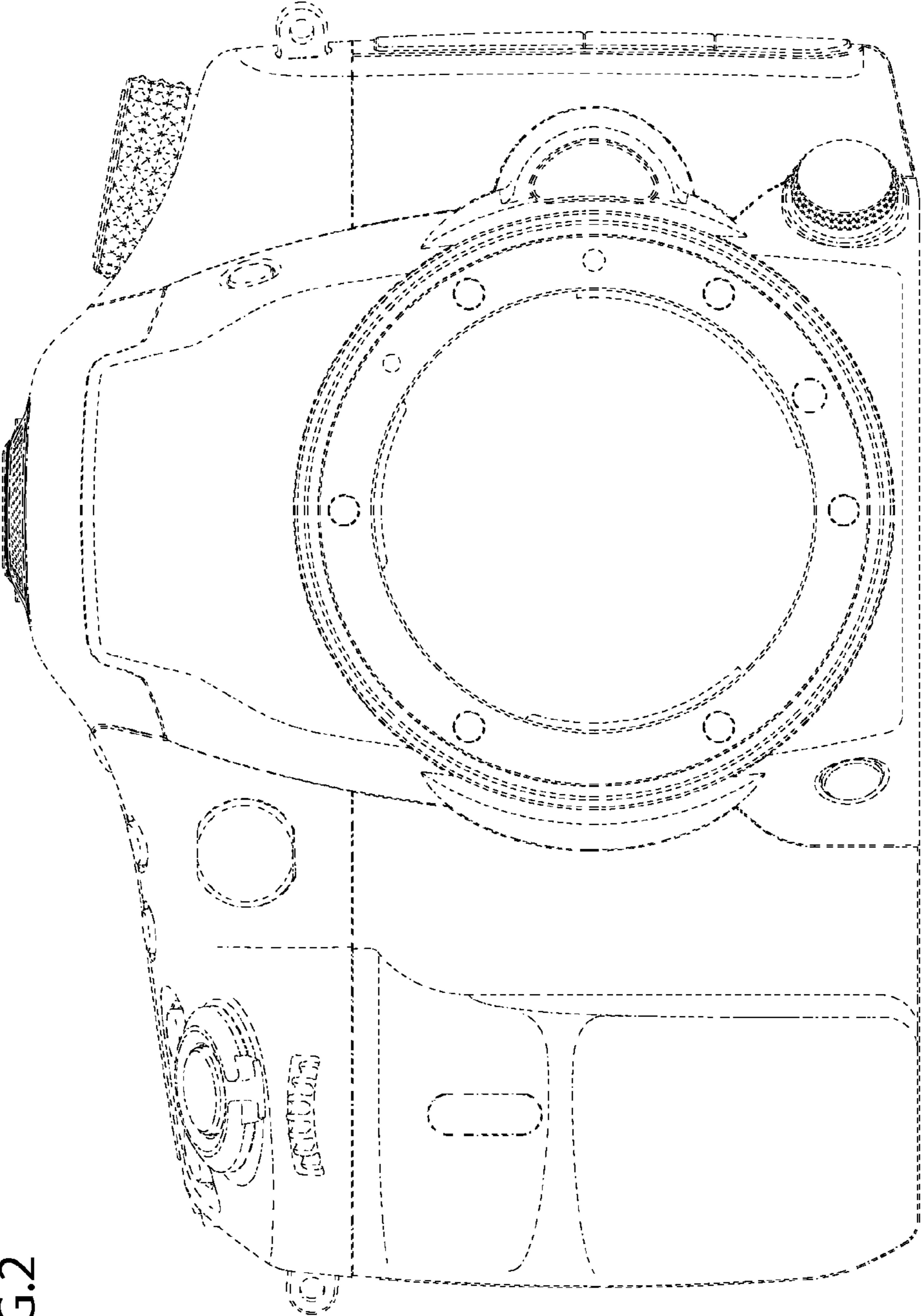


FIG.2

FIG.4

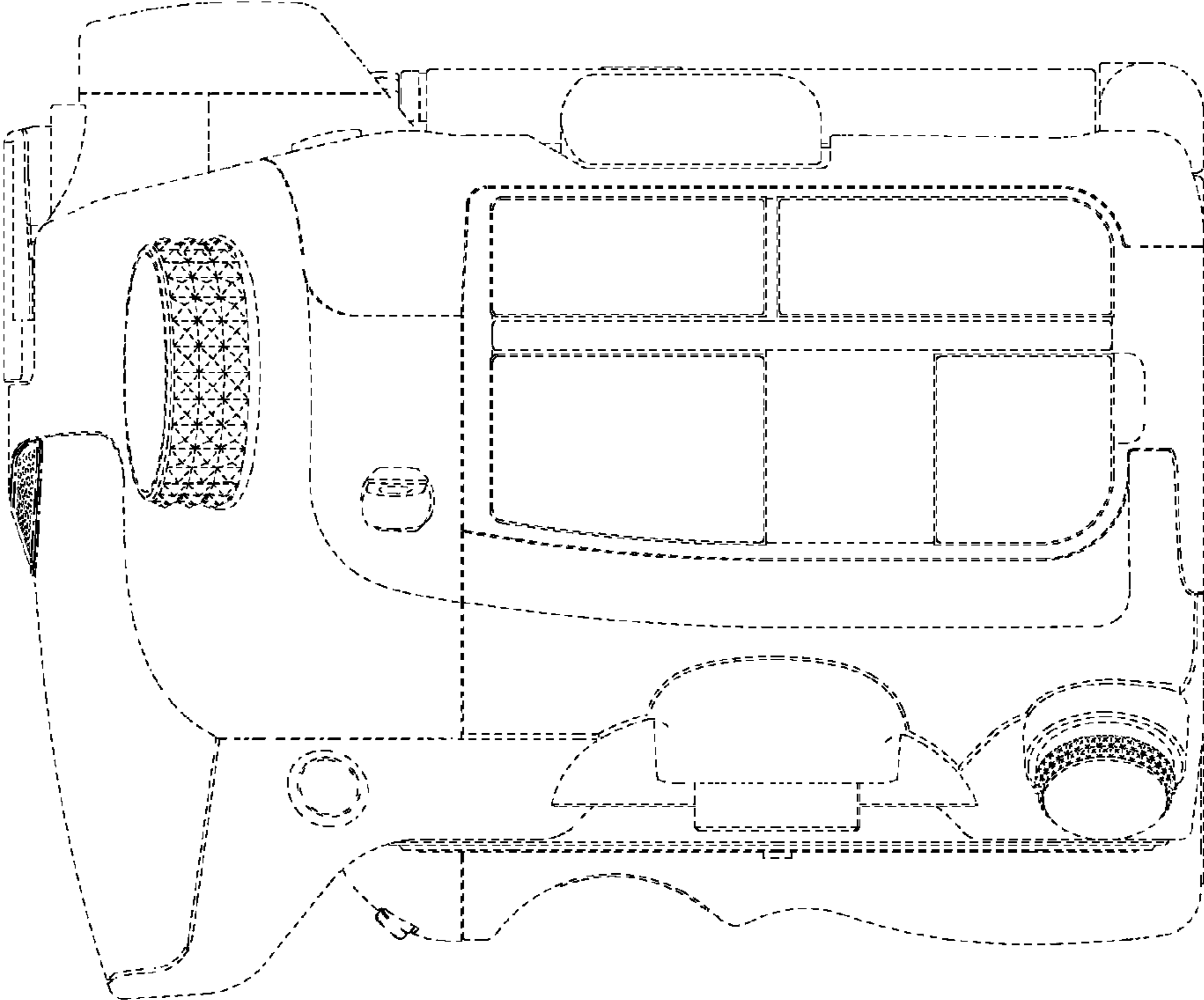


FIG.3

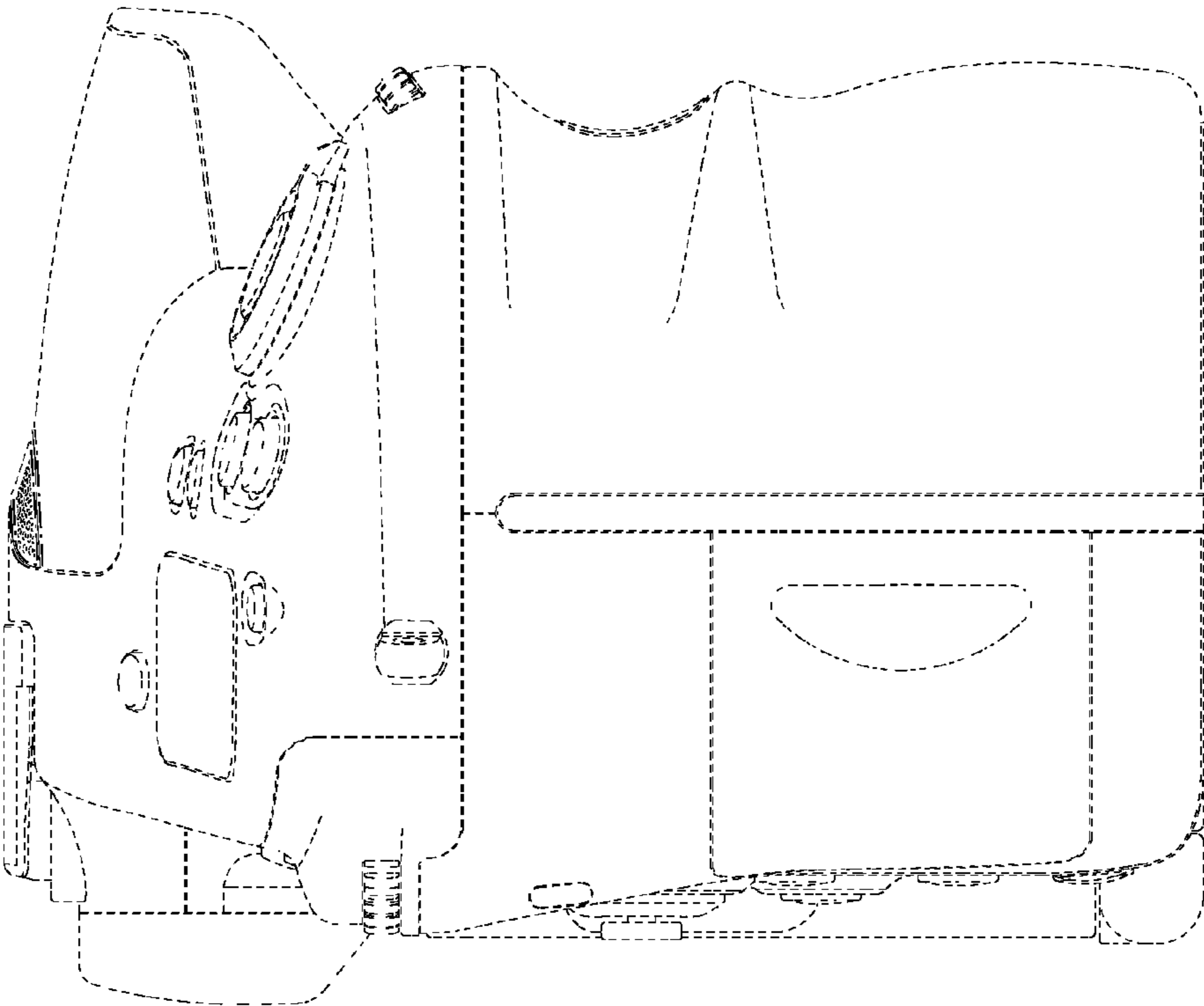


FIG.5

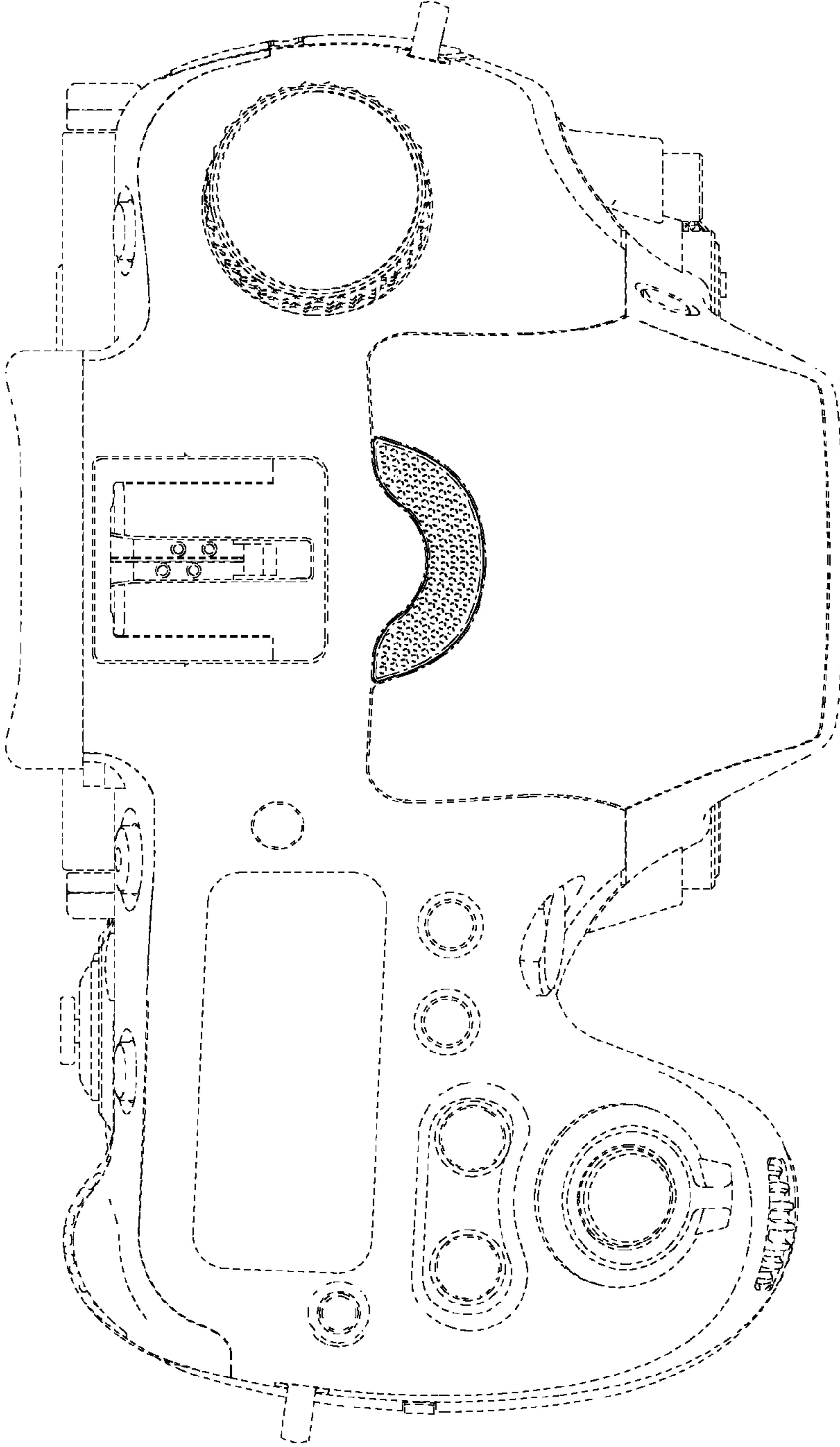
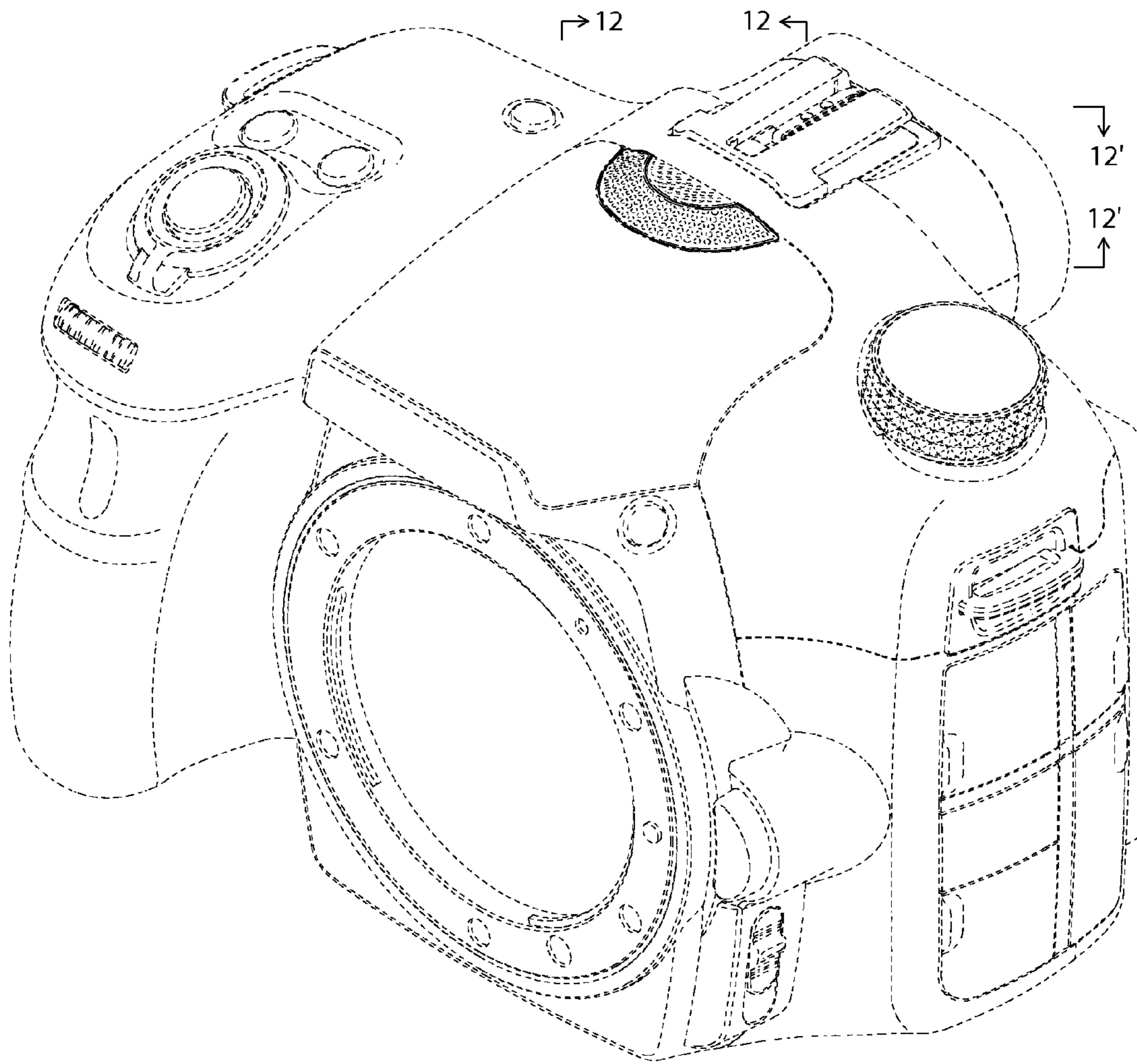


FIG.6



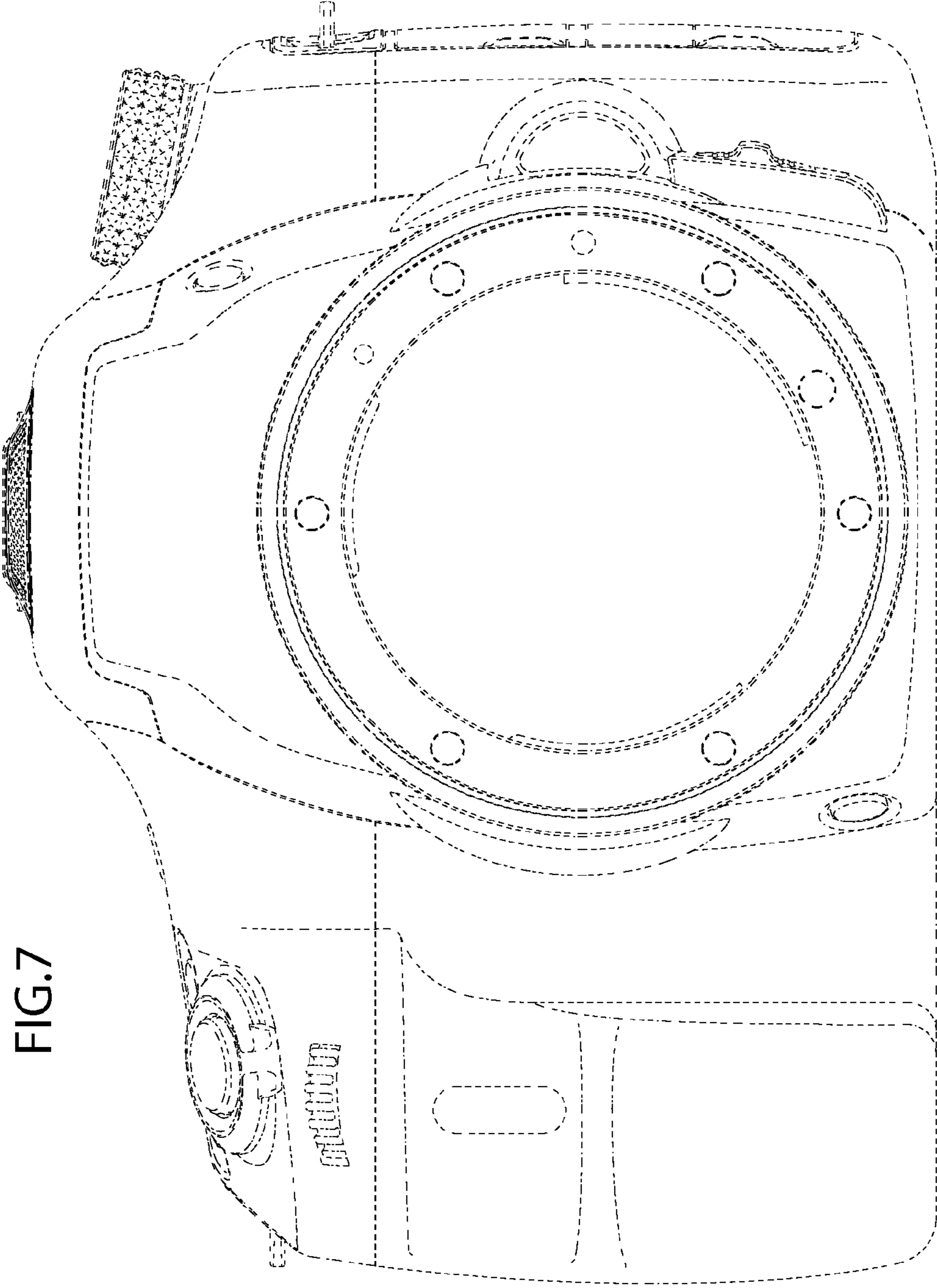


FIG. 7

FIG.8

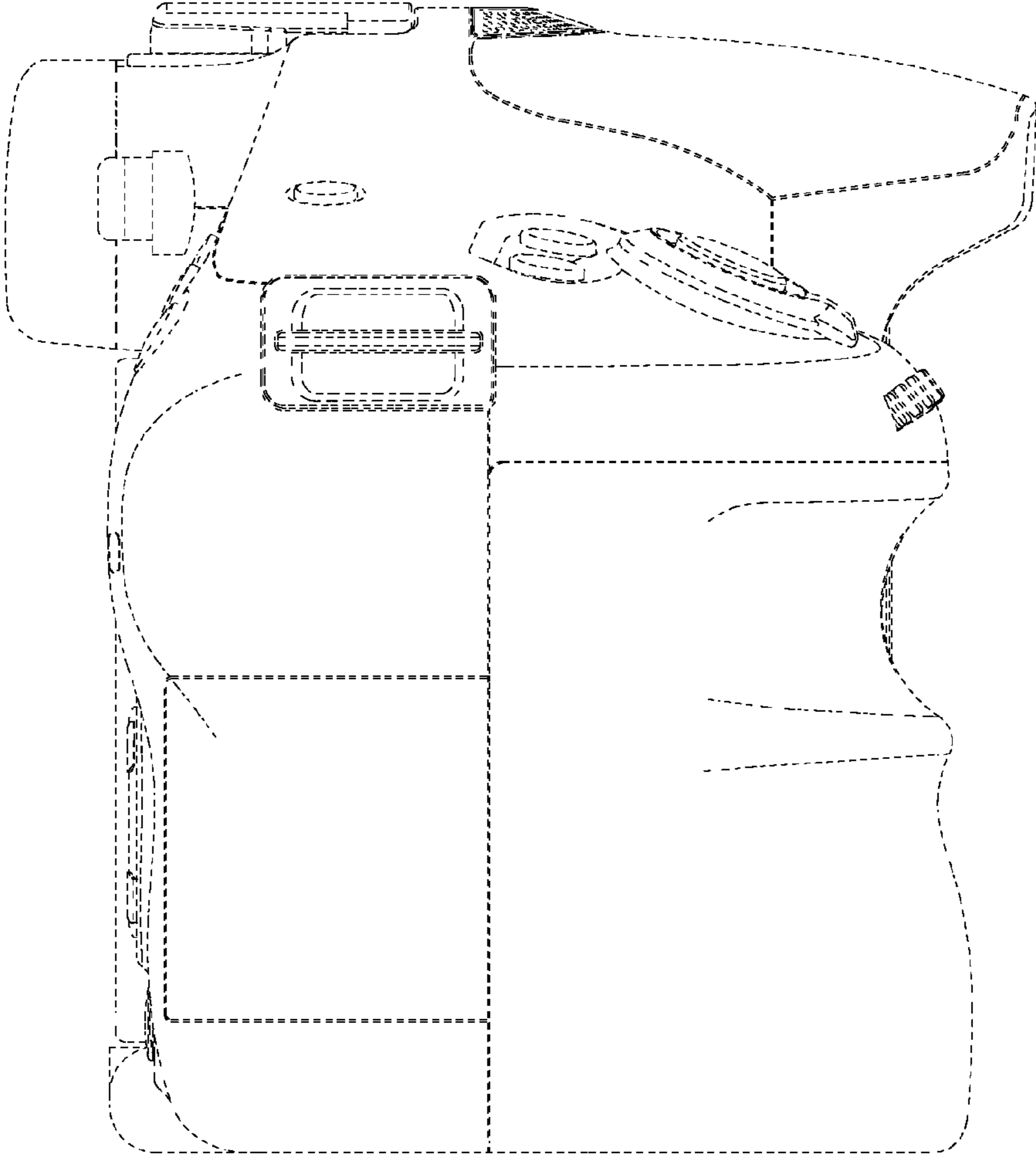


FIG.9

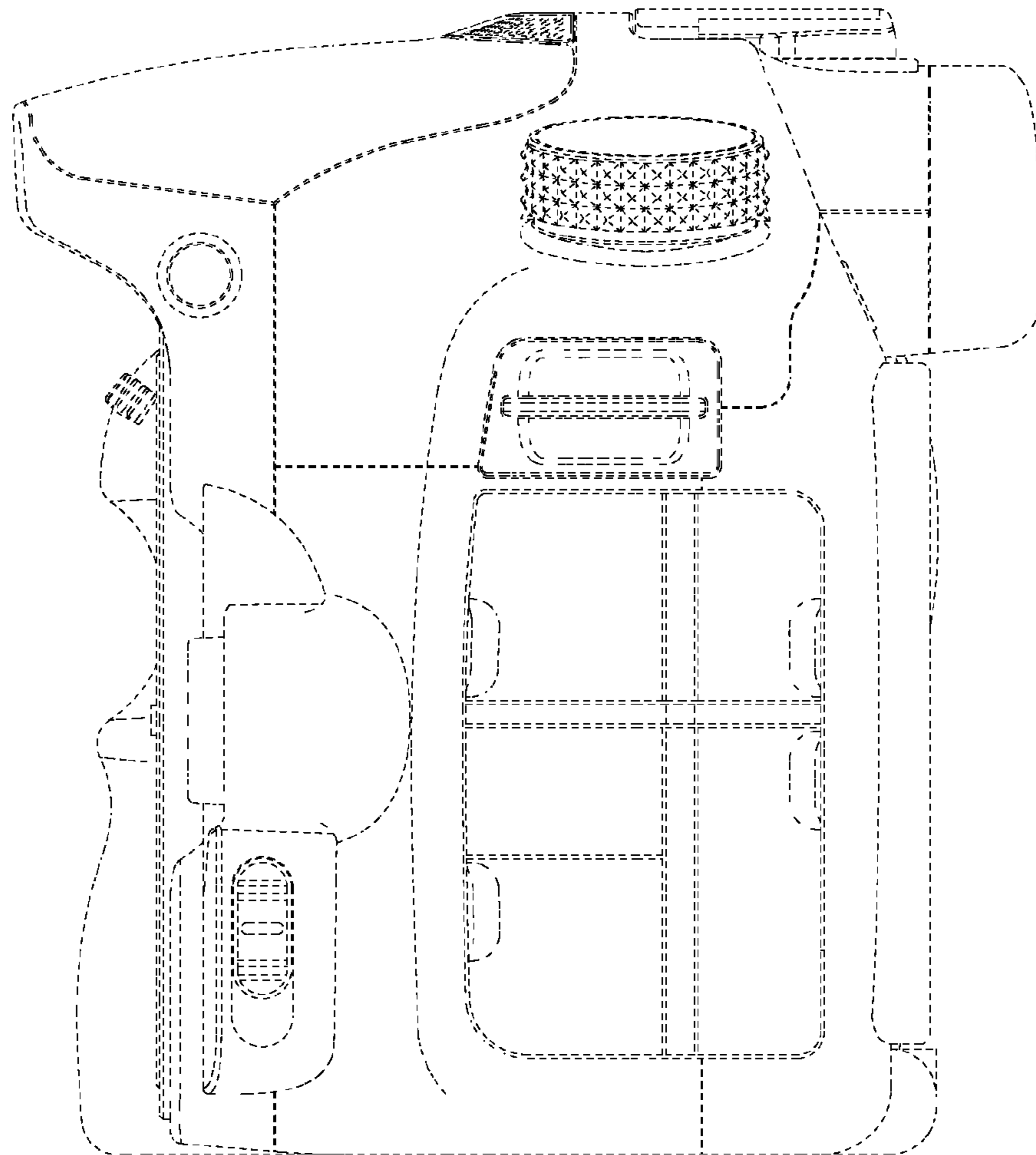


FIG.10

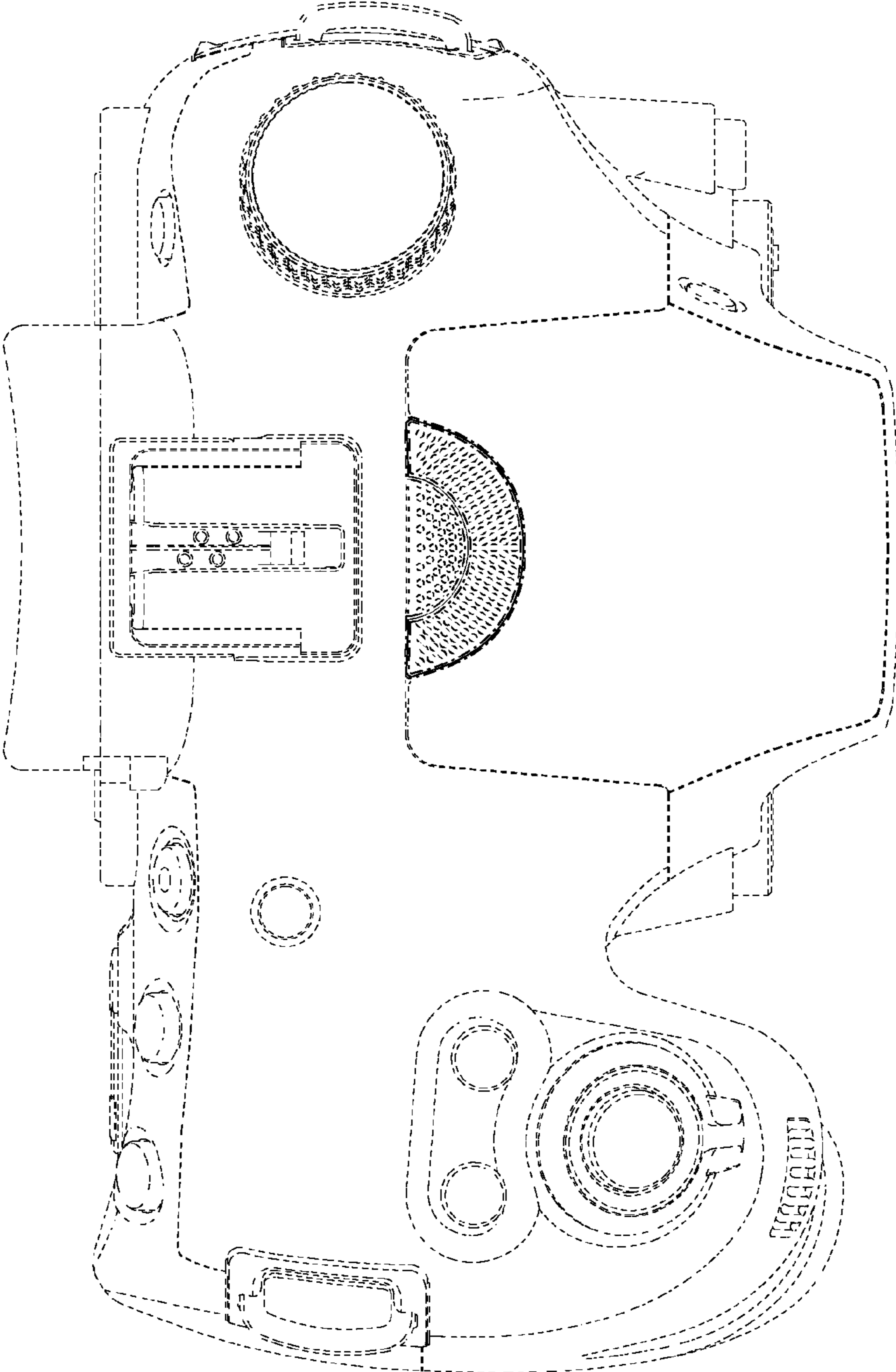


FIG.11

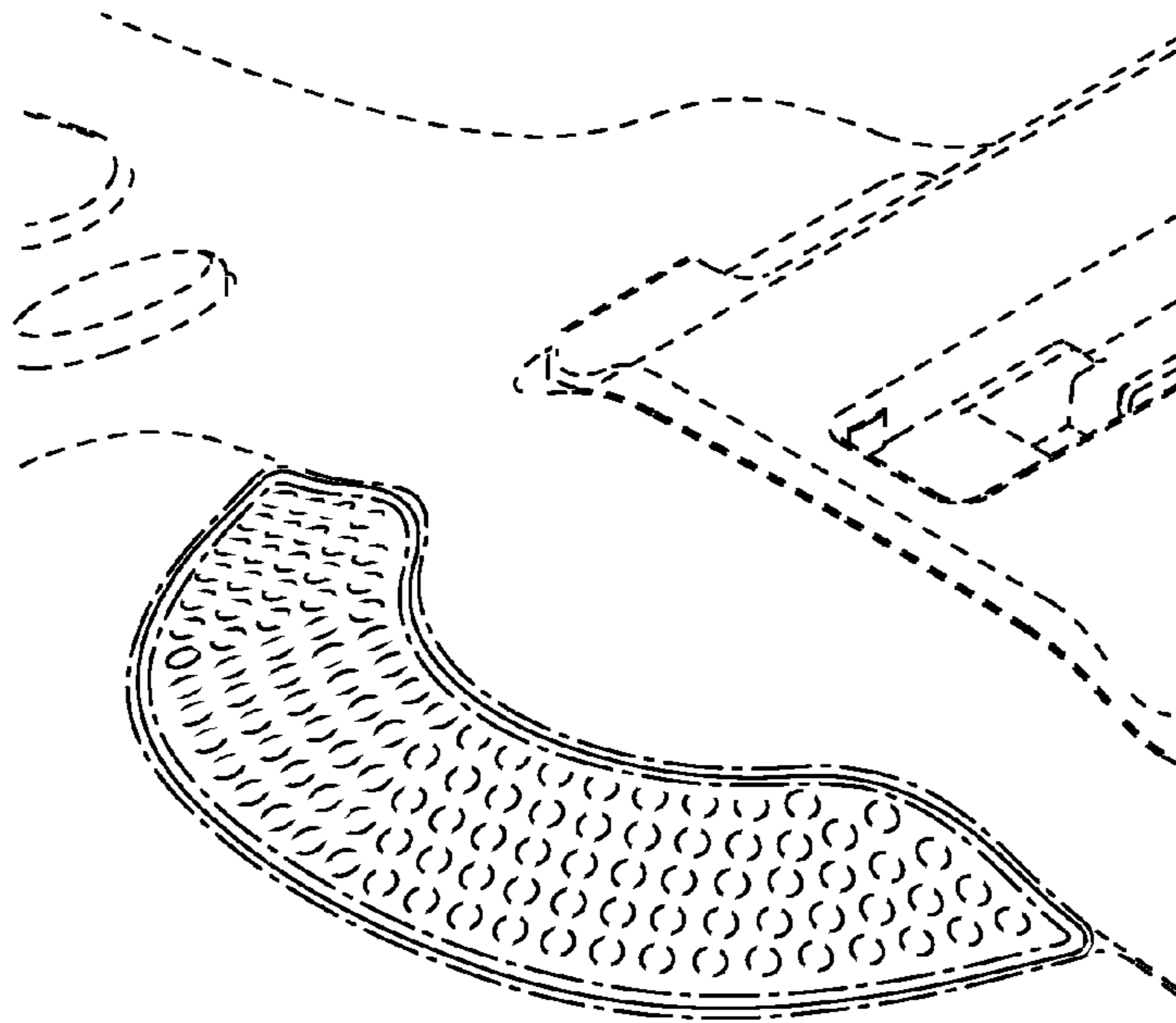


FIG.12

