



US00D694798S

(12) **United States Design Patent**
Deurwaarder

(10) **Patent No.:** **US D694,798 S**

(45) **Date of Patent:** **** Dec. 3, 2013**

(54) **HOUSING FOR A SURVEILLANCE CAMERA**

7,651,281 B2 * 1/2010 Wen 396/427
D612,883 S * 3/2010 Yamakawa D16/203
D615,114 S * 5/2010 Arnold et al. D16/203

(75) Inventor: **Wessel Deurwaarder**, Eindhoven (NL)

* cited by examiner

(73) Assignee: **Robert Bosch GmbH**, Stuttgart (DE)

Primary Examiner — Adir Aronovich

(**) Term: **14 Years**

(74) *Attorney, Agent, or Firm* — Maginot, Moore & Beck

(21) Appl. No.: **29/431,699**

(57) **CLAIM**

The ornamental design for a housing for a surveillance camera, as shown and described.

(22) Filed: **Sep. 10, 2012**

DESCRIPTION

(30) **Foreign Application Priority Data**

Mar. 14, 2012 (EM) 002008383

(51) **LOC (9) Cl.** **16-01**

(52) **U.S. Cl.**
USPC **D16/203**

(58) **Field of Classification Search**
USPC D16/200, 202, 203, 218; 348/143, 151,
348/373–376; 396/427, 535–541
See application file for complete search history.

FIG. 1 is a front perspective view of a housing for surveillance camera showing my new design;
FIG. 2 is right side elevational view showing the design for the housing of FIG. 1;
FIG. 3 is a left side elevational view showing the design for the housing of FIG. 1;
FIG. 4 is a front elevational view showing the design for the housing of FIG. 1;
FIG. 5 is a rear elevational view showing the design for the housing of FIG. 1;
FIG. 6 is a bottom plan view showing the design for the housing of FIG. 1; and,
FIG. 7 is a top plan view showing the design for the housing of FIG. 1.

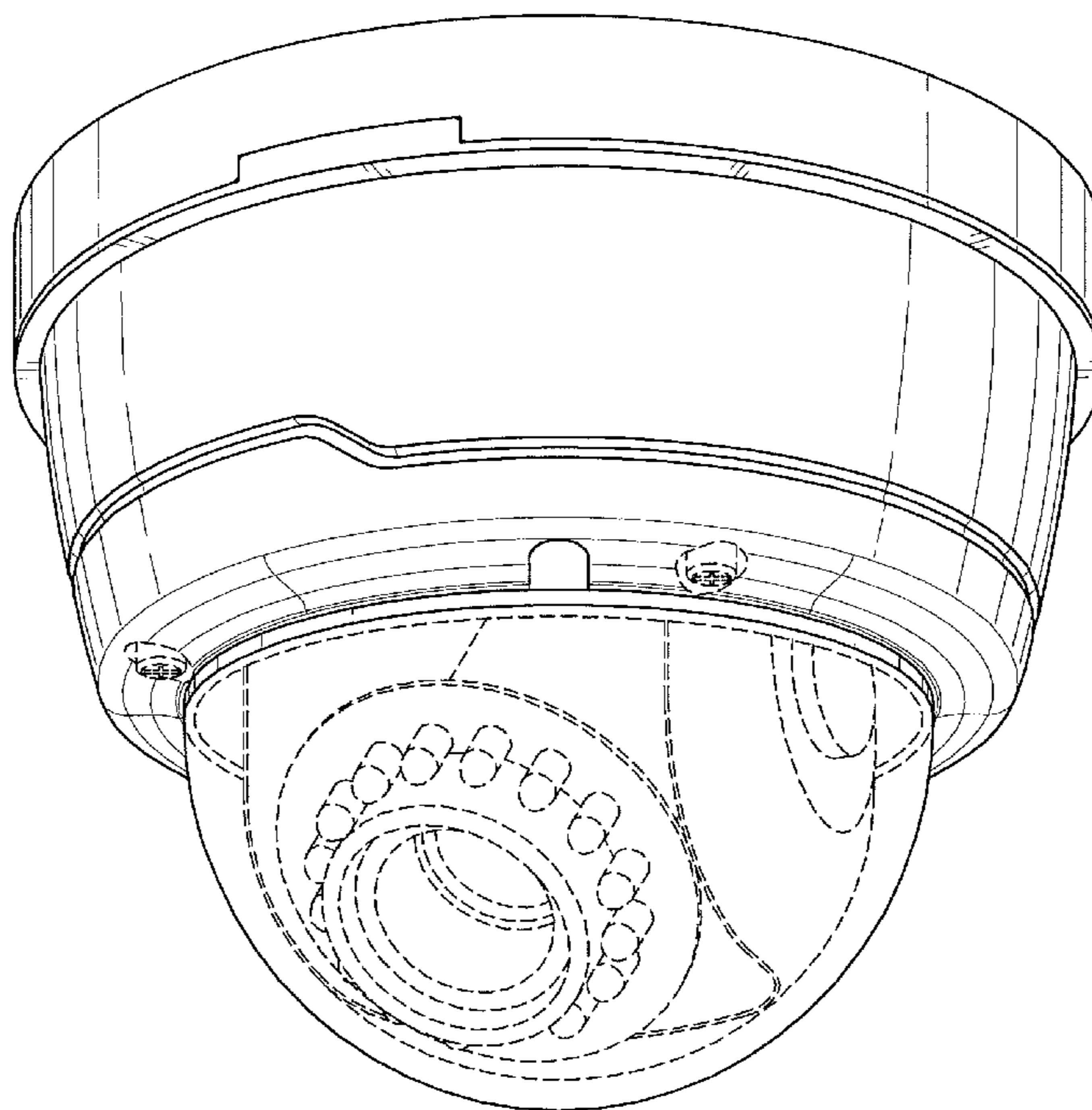
The broken line showing of portions of the housing in the drawings is included for illustrative purposes only and forms no part of the claimed design.

(56) **References Cited**

U.S. PATENT DOCUMENTS

6,678,001 B1 * 1/2004 Elberbaum 348/373
D513,028 S * 12/2005 Maruyama D16/203
D543,566 S * 5/2007 Kato et al. D16/203
D564,557 S * 3/2008 Yamamoto et al. D16/203
7,609,321 B2 * 10/2009 Yamane 348/373

1 Claim, 7 Drawing Sheets



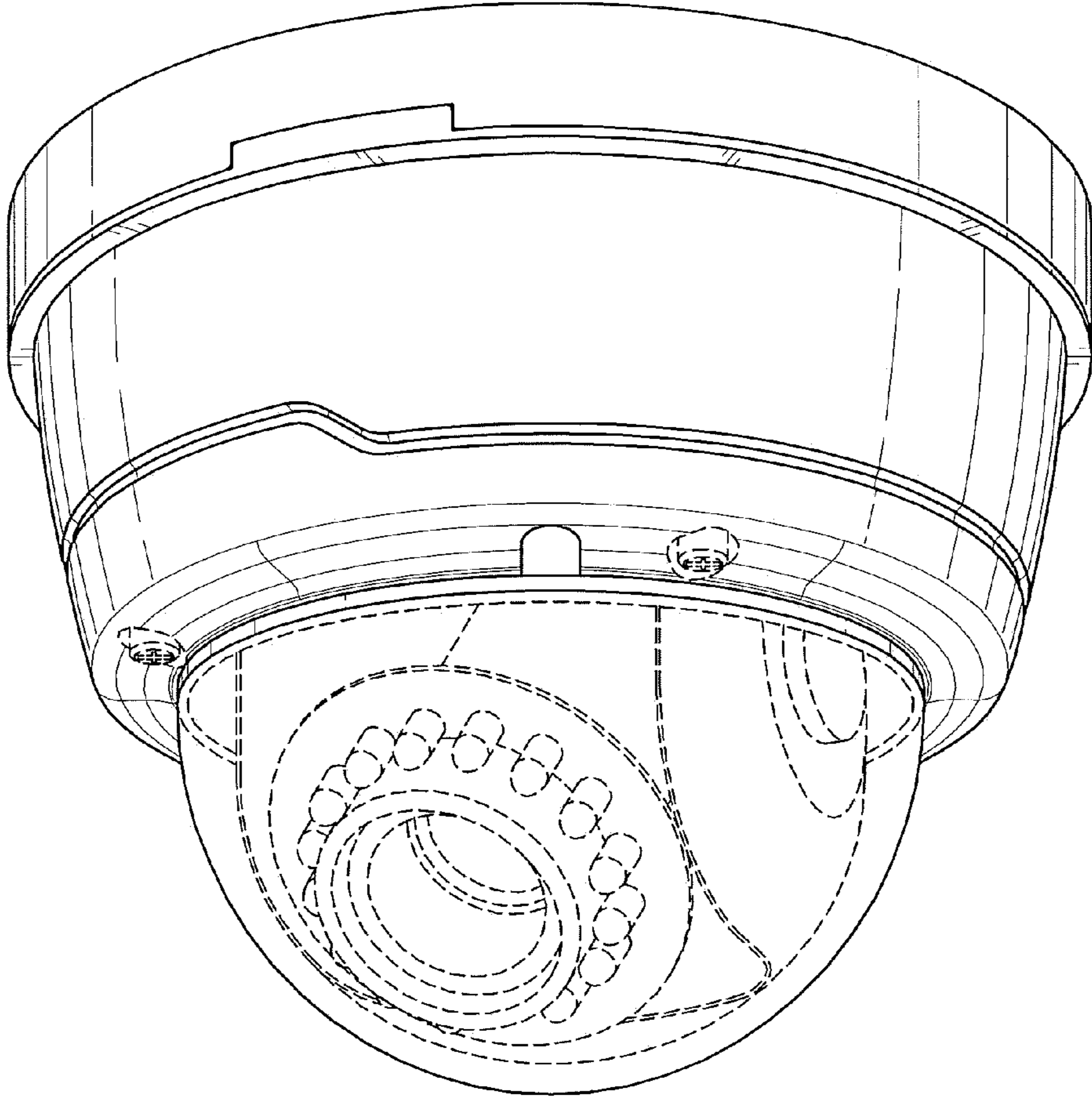


FIG. 1

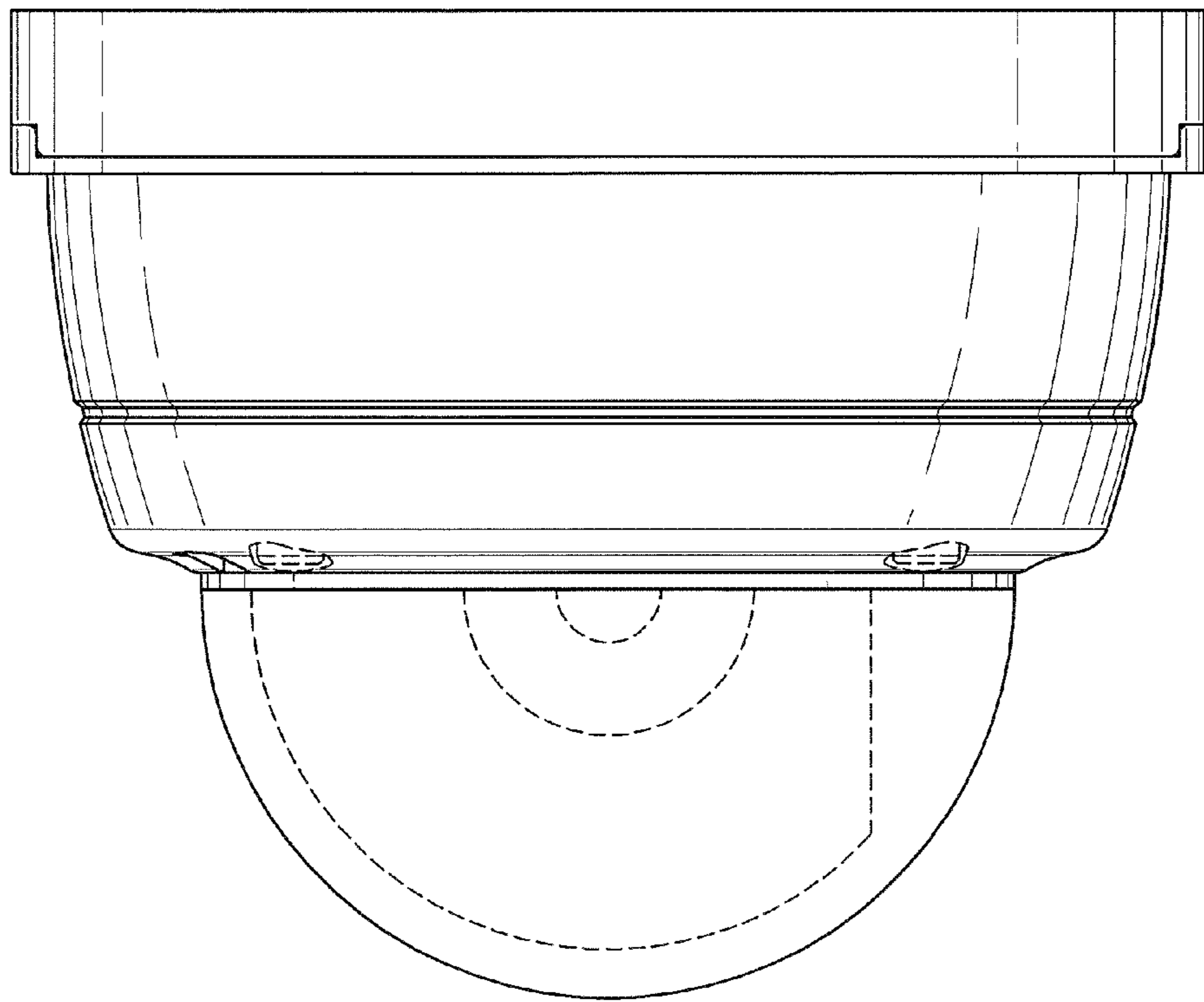


FIG. 2

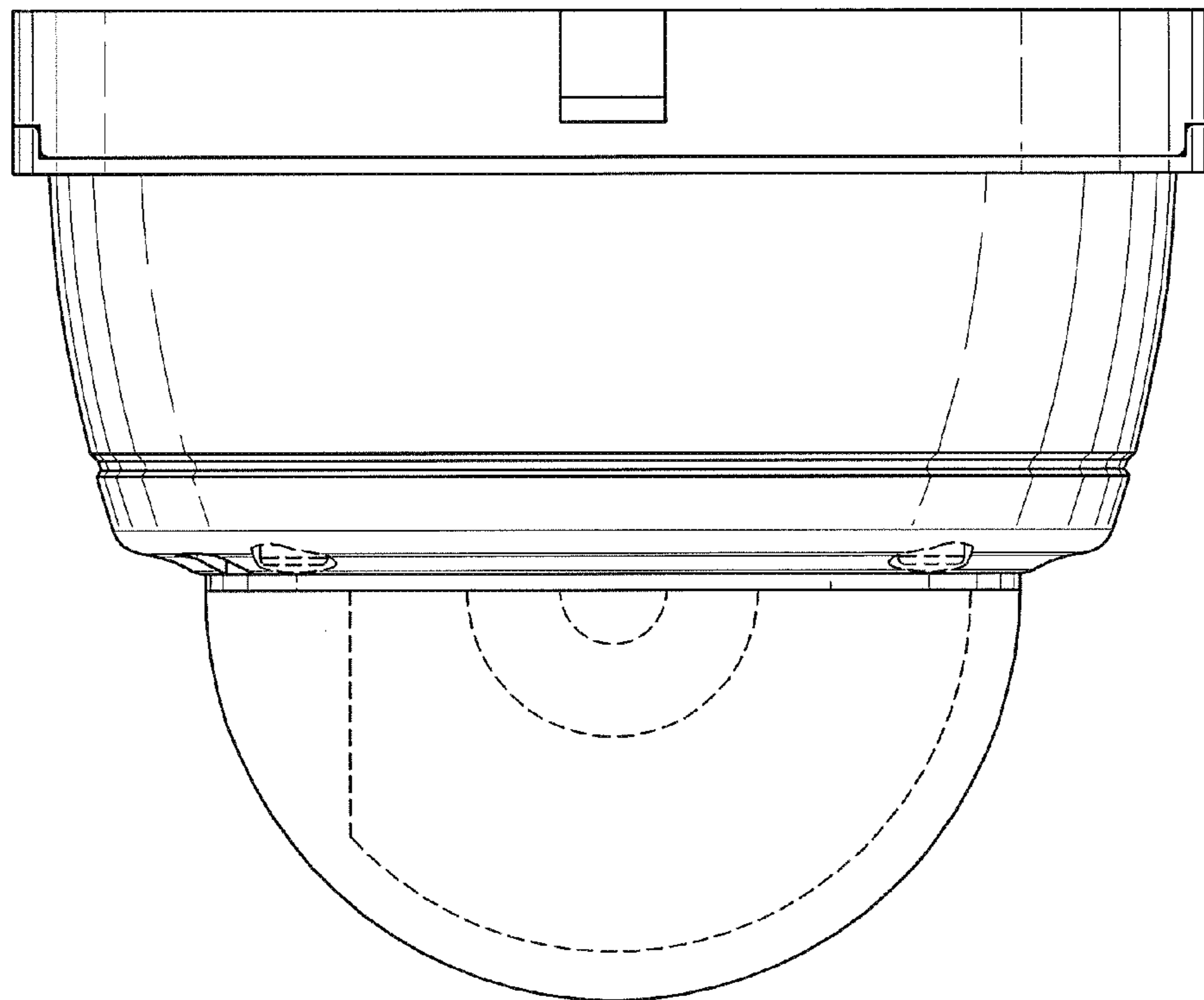


FIG. 3

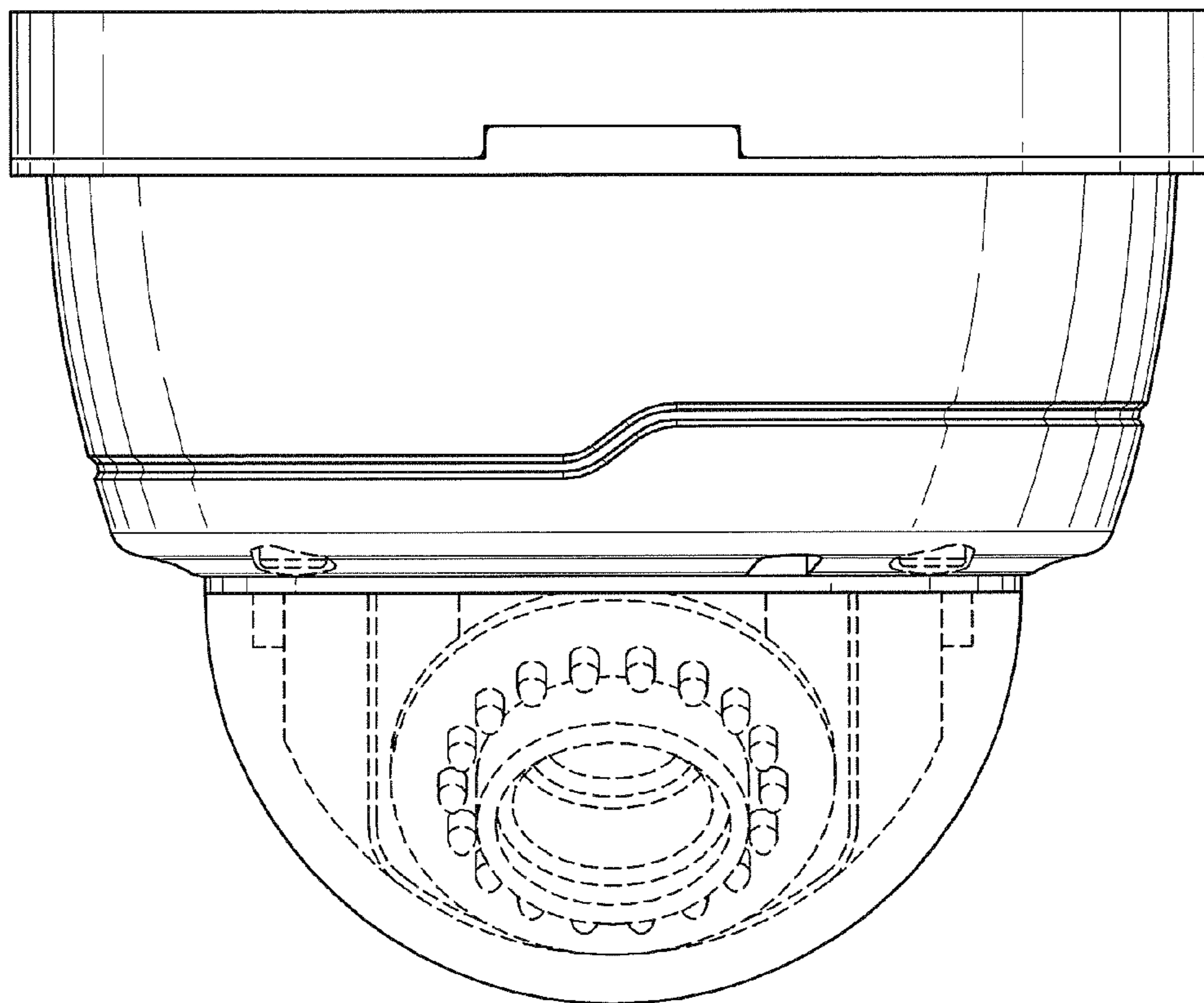


FIG. 4

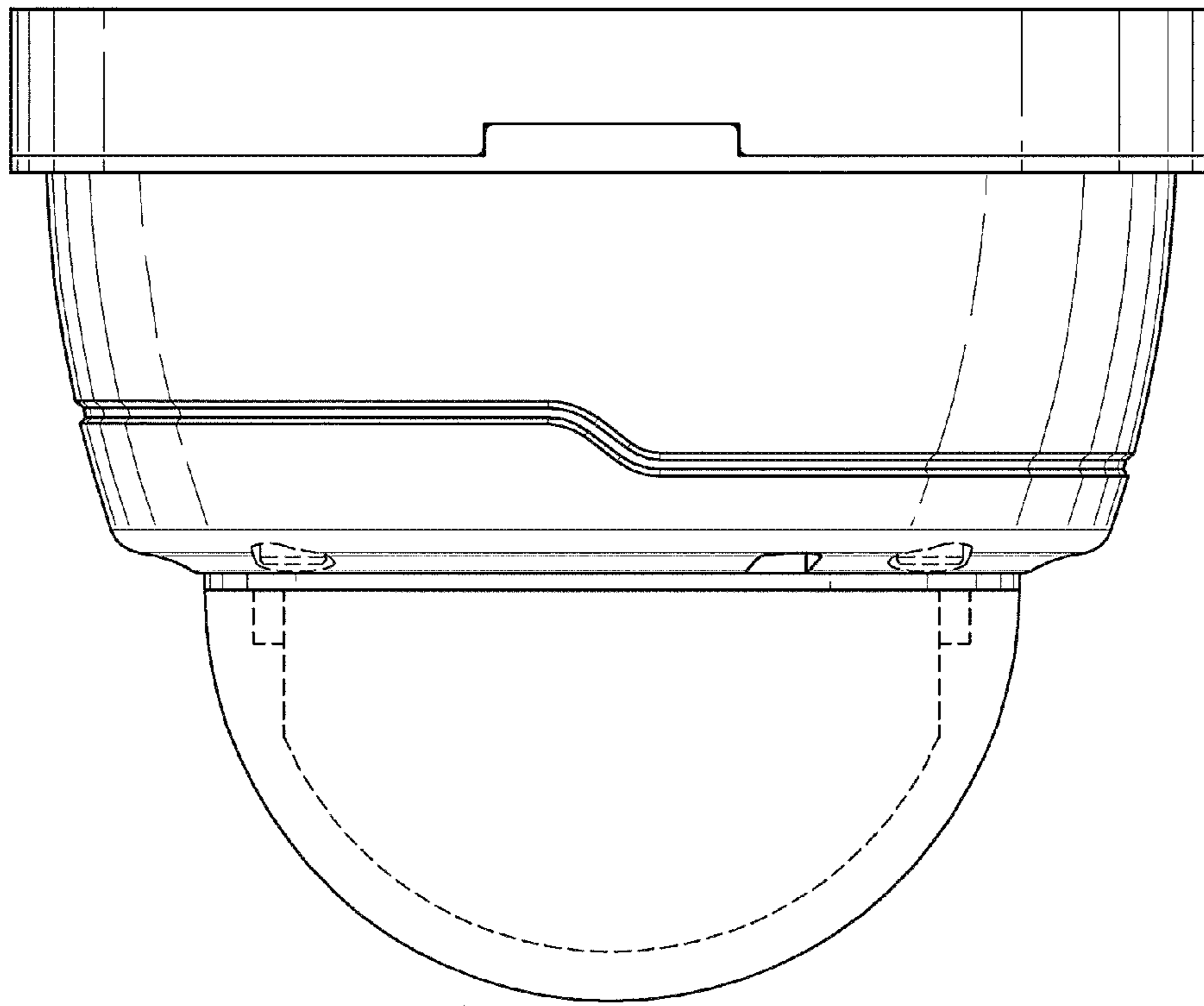


FIG. 5

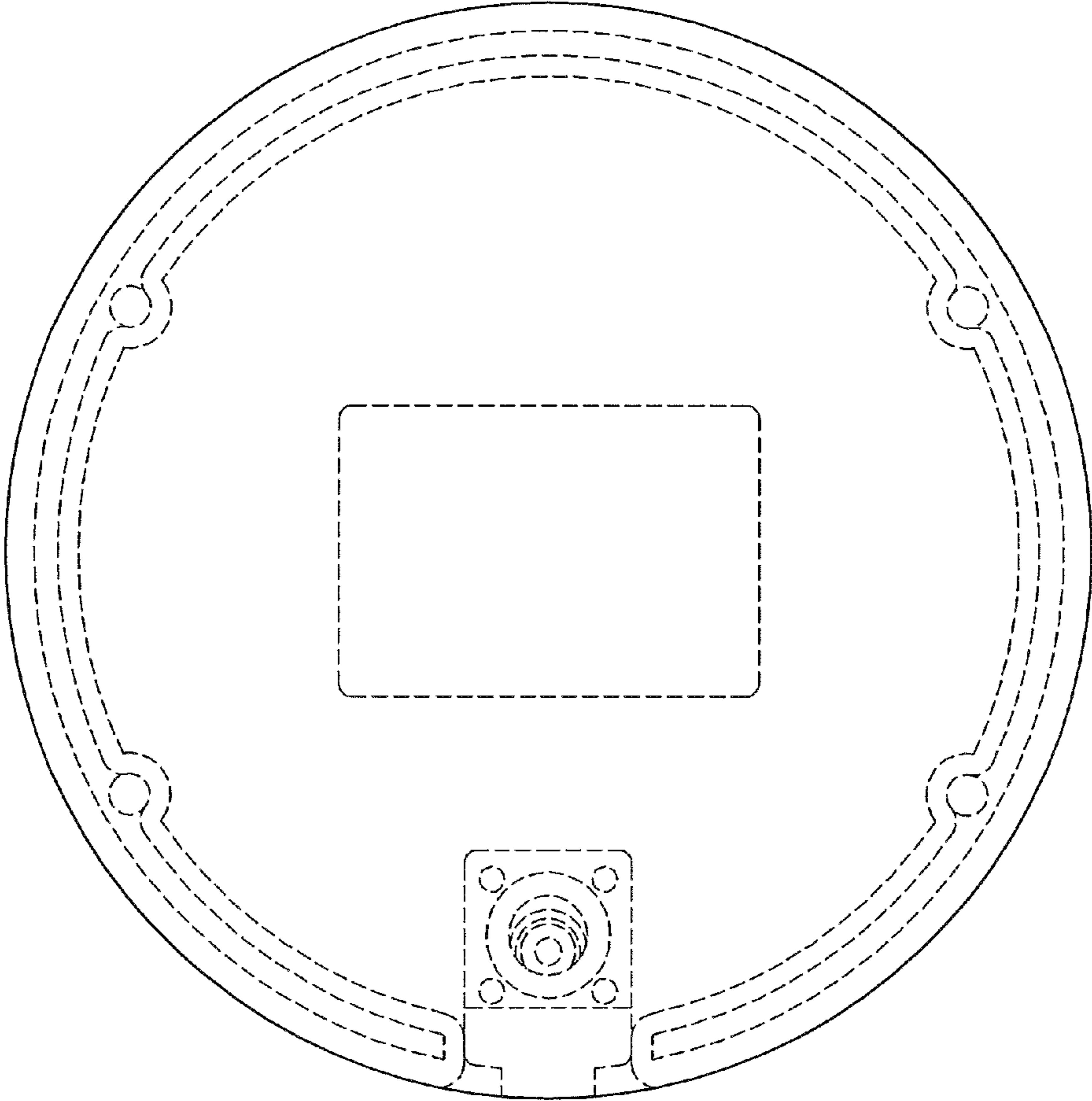


FIG. 6

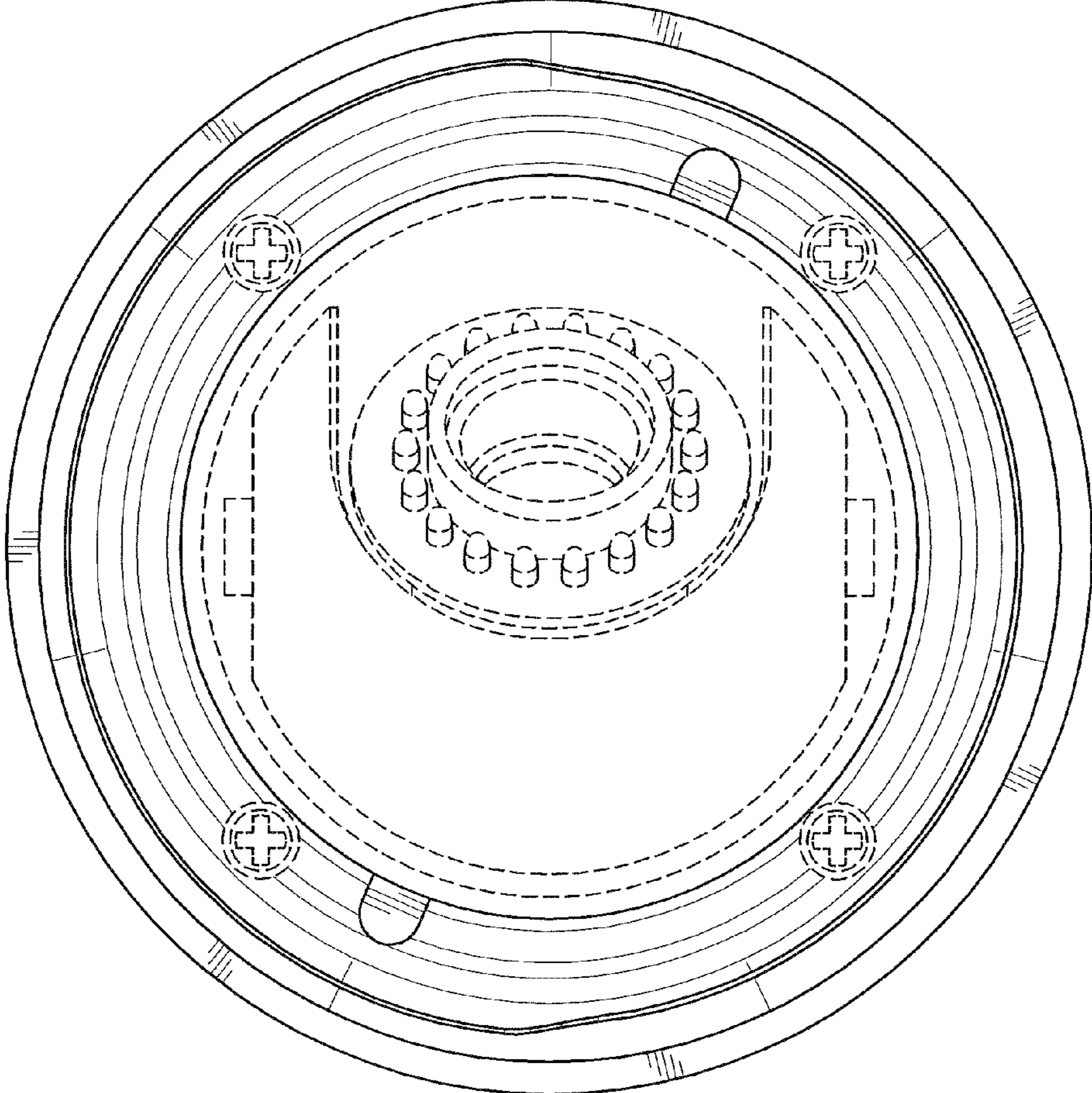


FIG. 7