



US00D694797S

(12) **United States Design Patent**
Parker

(10) **Patent No.:** **US D694,797 S**
(45) **Date of Patent:** **** Dec. 3, 2013**

(54) **CAMERA**

(75) Inventor: **Robin Douglas Parker**, Gerrards Cross
(GB)

(73) Assignee: **Drift Innovations Limited**, London
(GB)

(**) Term: **14 Years**

(21) Appl. No.: **29/412,436**

(22) Filed: **Feb. 3, 2012**

(30) **Foreign Application Priority Data**

Nov. 18, 2011 (EM) 001949199-001

(51) **LOC (9) Cl.** **16-01**

(52) **U.S. Cl.**
USPC **D16/203; D16/202**

(58) **Field of Classification Search**
USPC D16/200, 202, 203, 204, 205, 218;
348/373-376; 396/535-541
See application file for complete search history.

(56) **References Cited**

U.S. PATENT DOCUMENTS

D179,803 S * 3/1957 Gillette D16/202
D187,165 S * 2/1960 Sampson D16/204

D532,809 S * 11/2006 Shih D16/203
D563,447 S * 3/2008 Narita et al. D16/202
D576,657 S * 9/2008 Newbould et al. D16/230
D592,231 S * 5/2009 Schnell D16/202
D600,731 S * 9/2009 Lee et al. D16/203
D635,173 S * 3/2011 Yamakawa D16/203
D651,634 S * 1/2012 Lee D16/203

* cited by examiner

Primary Examiner — Adir Aronovich

(74) *Attorney, Agent, or Firm* — Ohlandt, Greeley, Ruggiero
& Perle, LLP

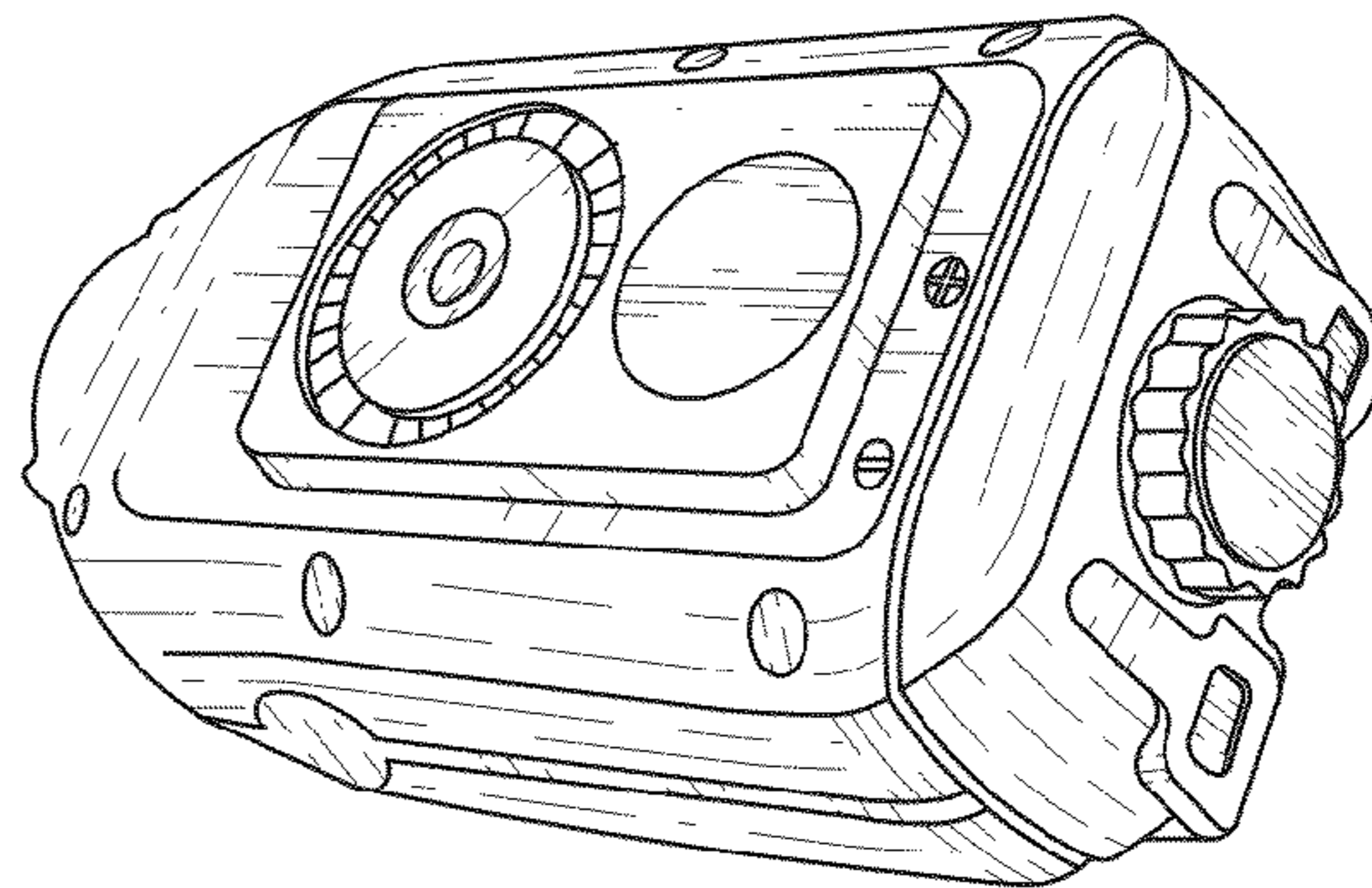
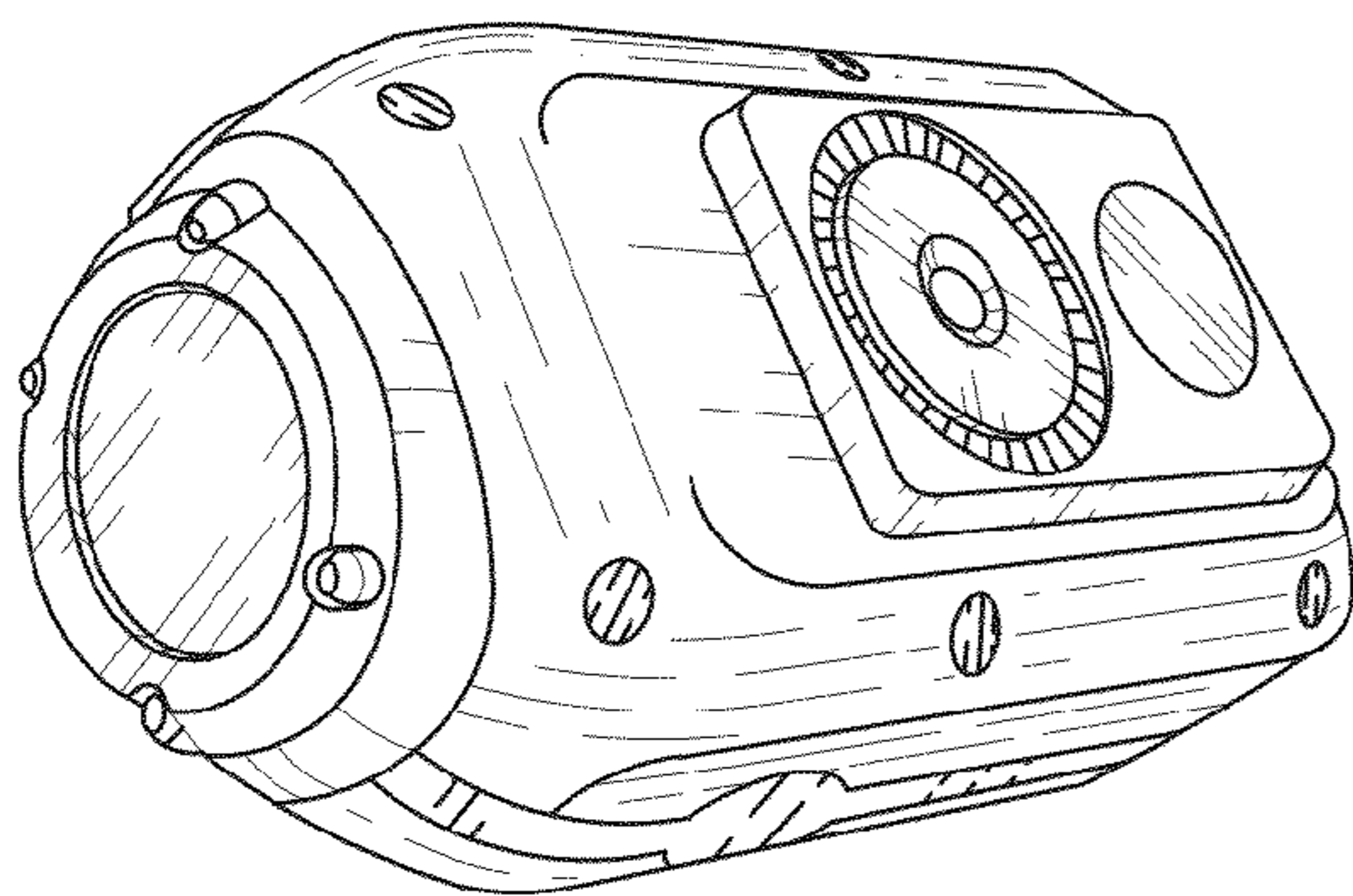
(57) **CLAIM**

The ornamental design for a camera, as shown.

DESCRIPTION

FIG. 1 is a front and right side perspective view of a camera according to the present disclosure;
FIG. 2 is a rear and right side perspective view of the camera of FIG. 1;
FIG. 3 is a front and left side perspective view of the camera of FIG. 1;
FIG. 4 is a left side elevation view of the camera of FIG. 1;
FIG. 5 is a right side elevation view of the camera of FIG. 1;
FIG. 6 is a top plan view of the camera of FIG. 1;
FIG. 7 is a bottom plan view of the camera of FIG. 1;
FIG. 8 is a front elevation view of the camera of FIG. 1; and,
FIG. 9 is a rear elevation view of the camera of FIG. 1.

1 Claim, 3 Drawing Sheets



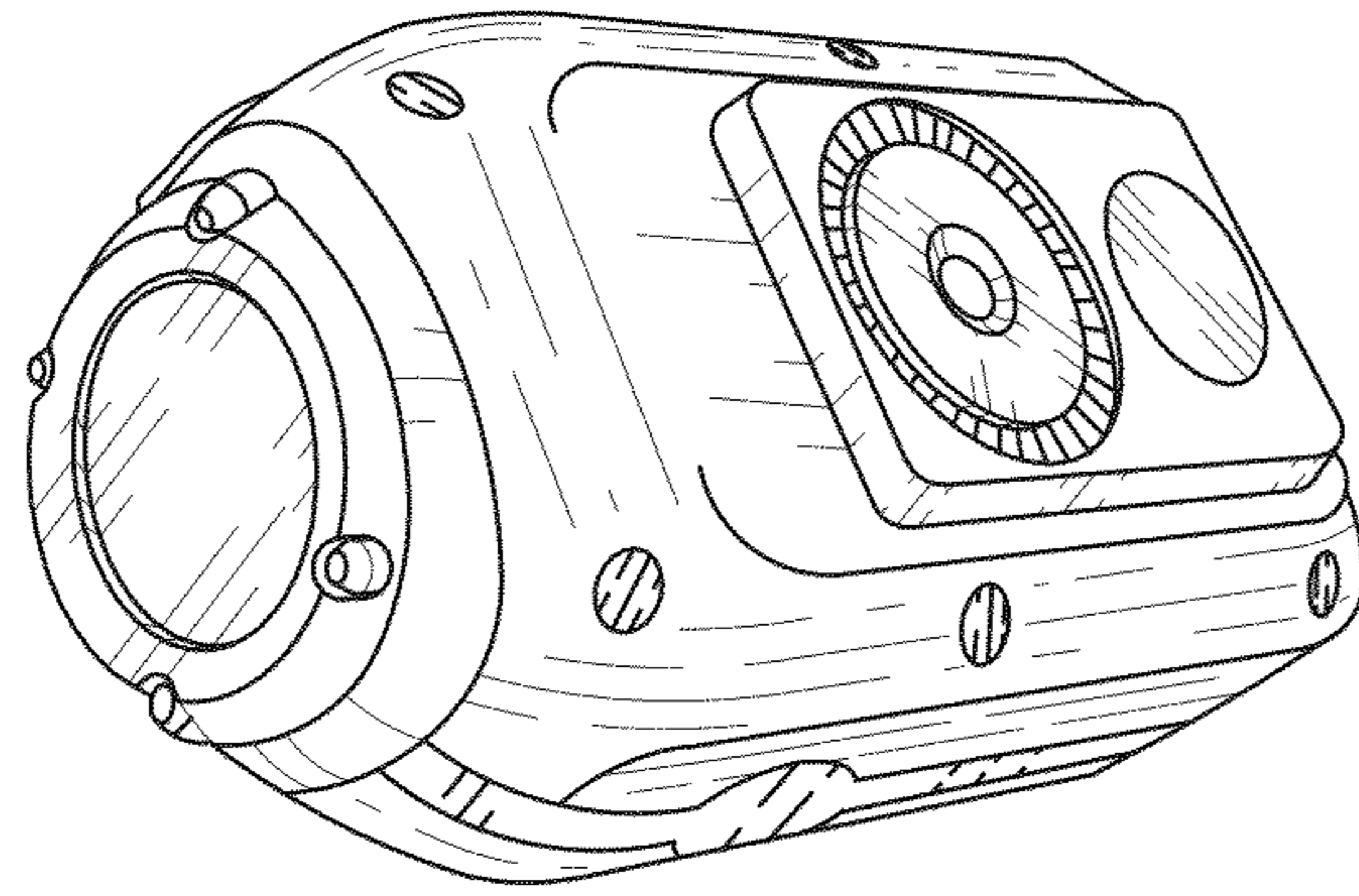


FIG. 1

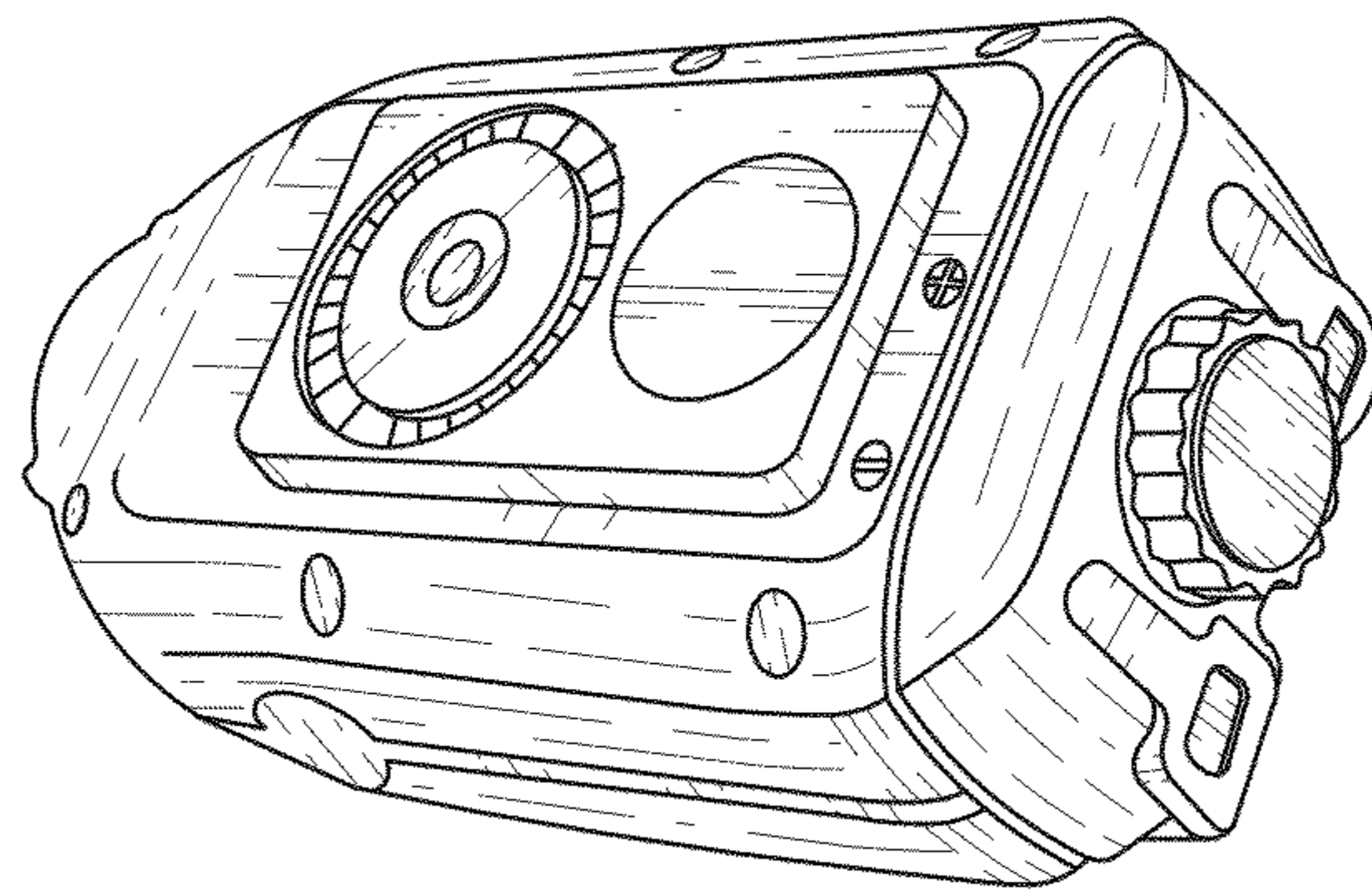


FIG. 2

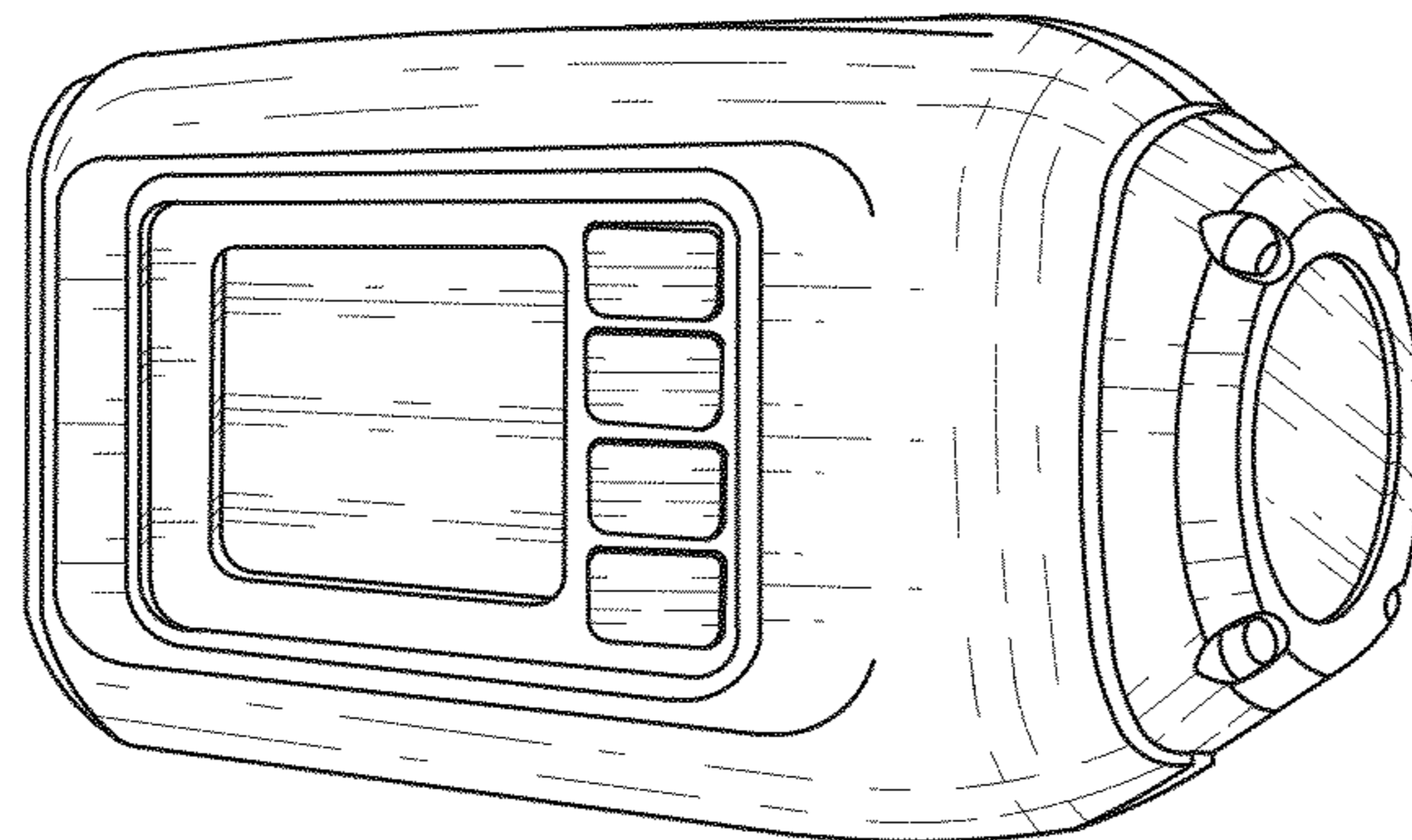


FIG. 3

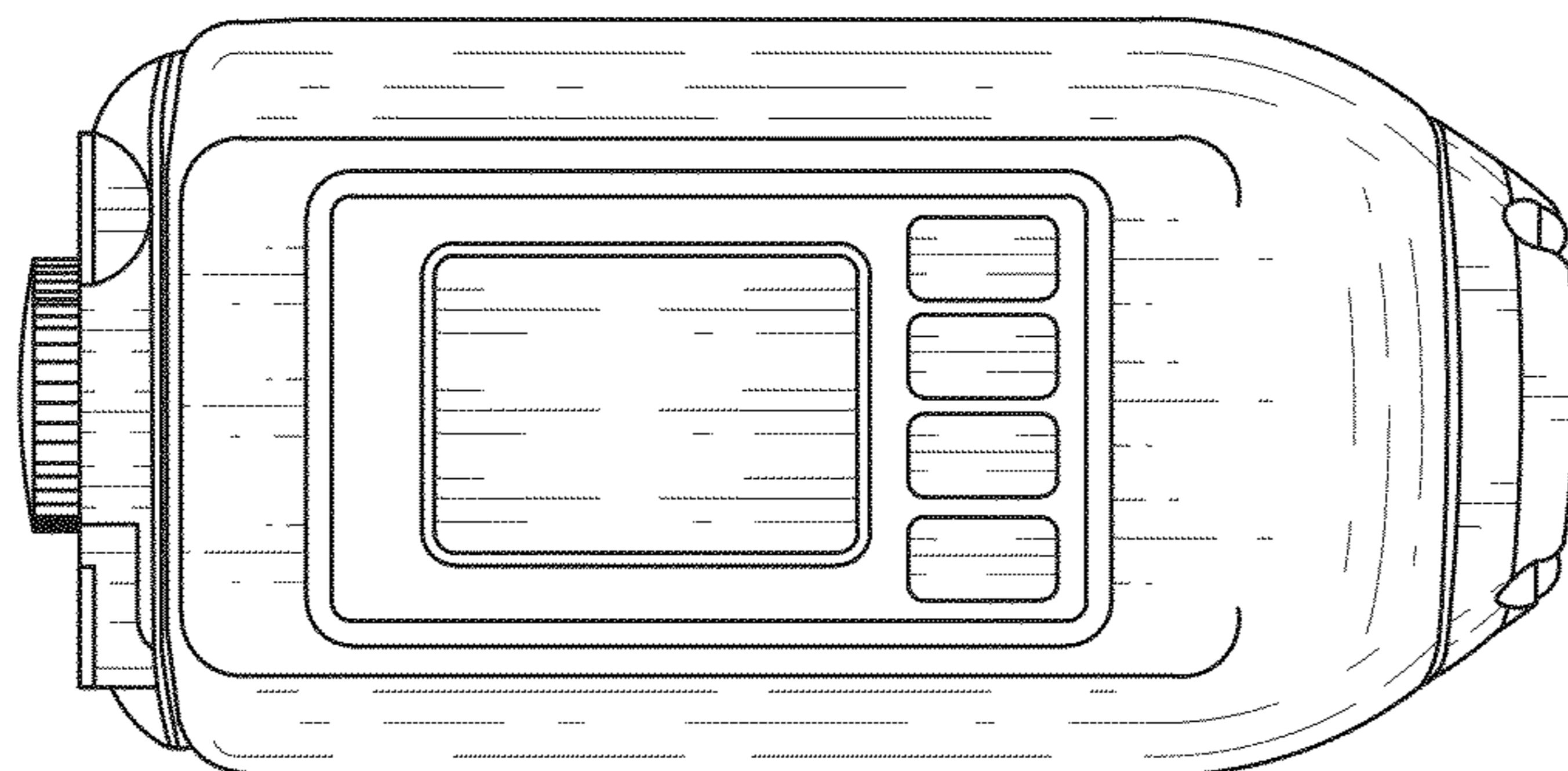


FIG. 4

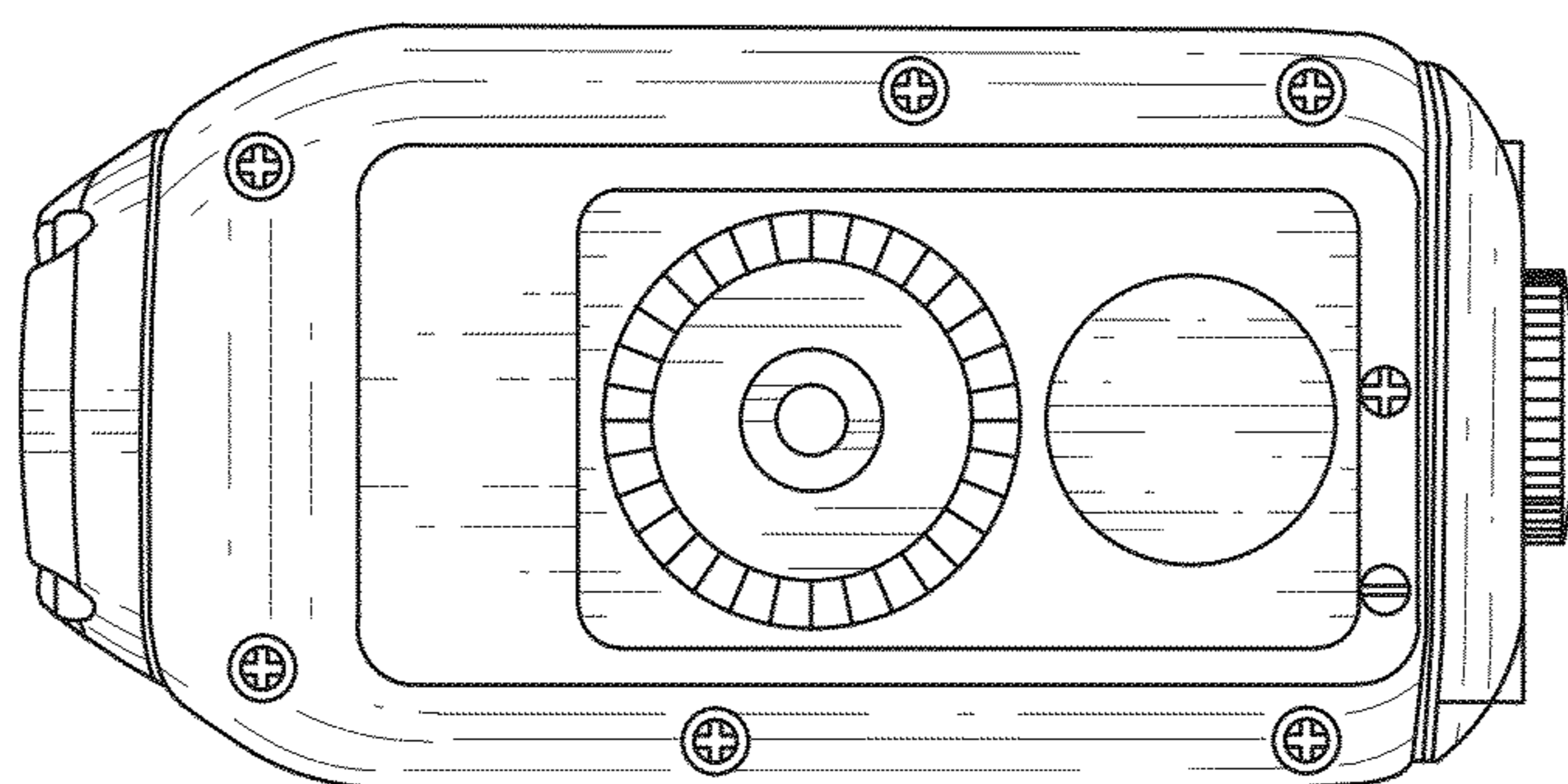


FIG. 5

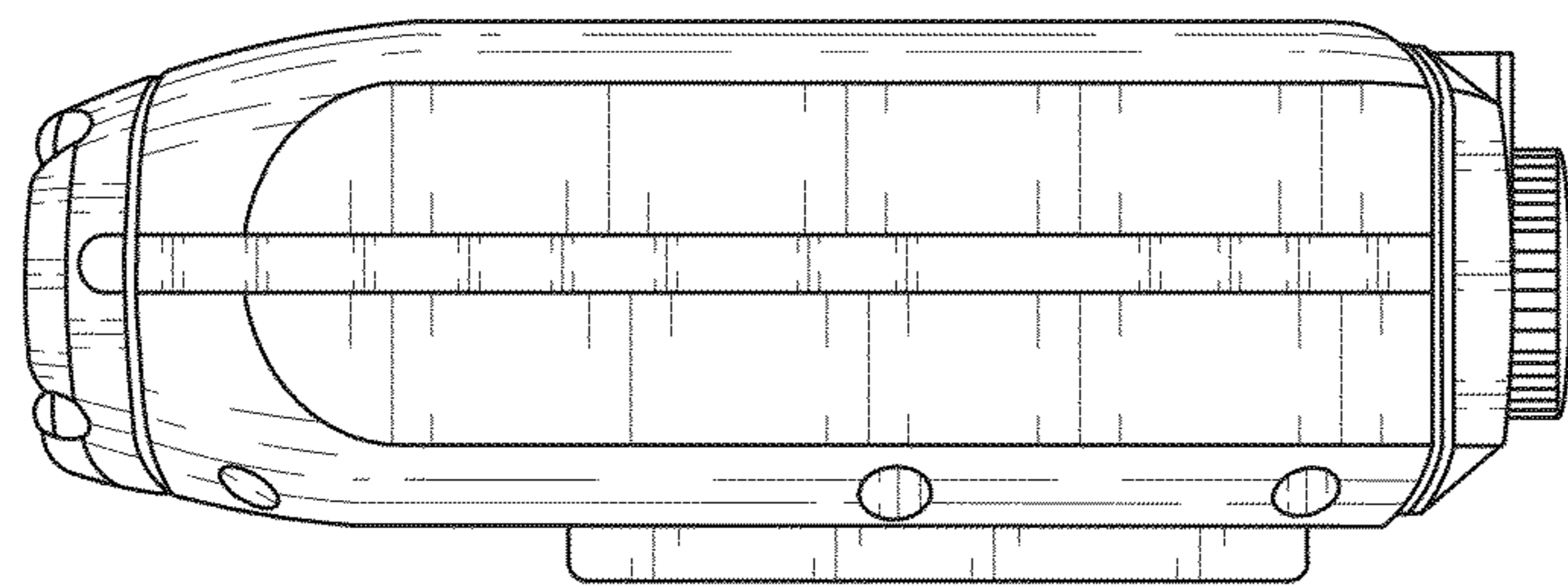


FIG. 6

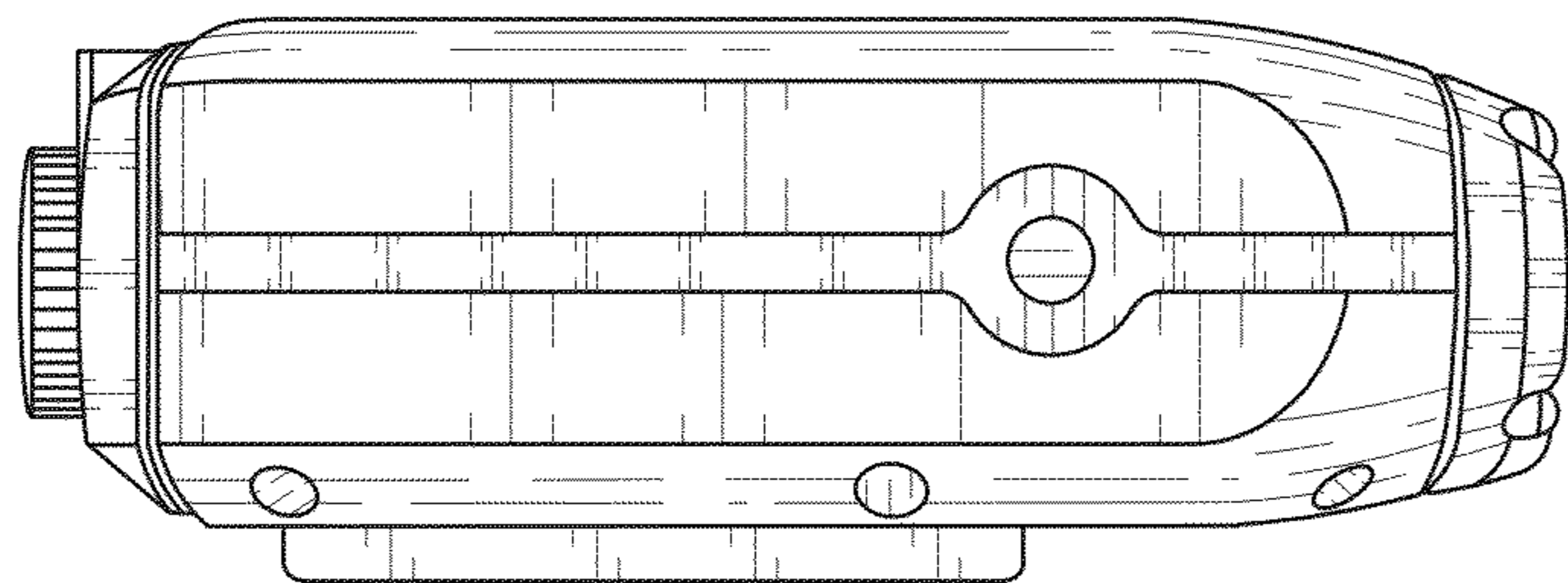


FIG. 7

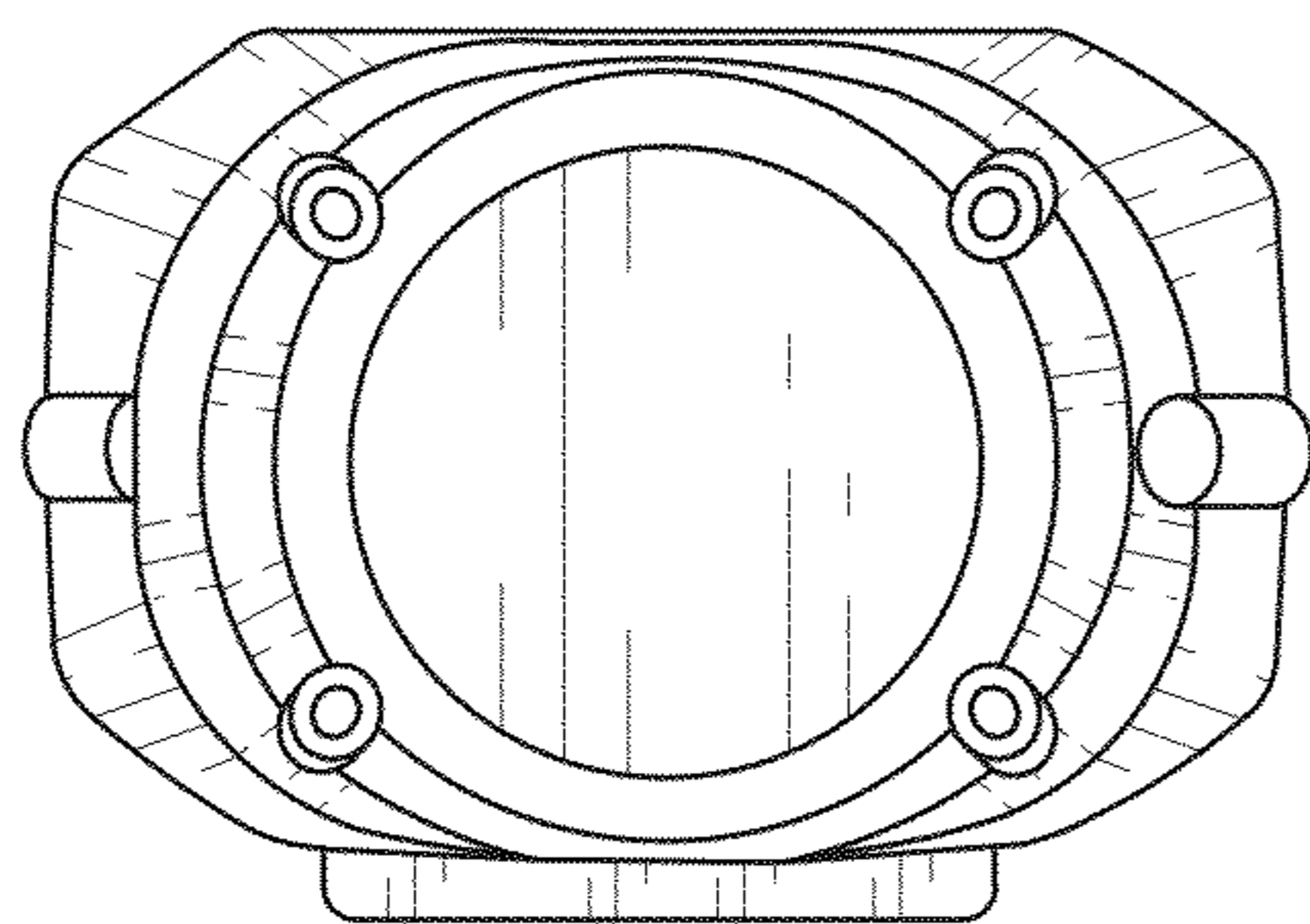


FIG. 8

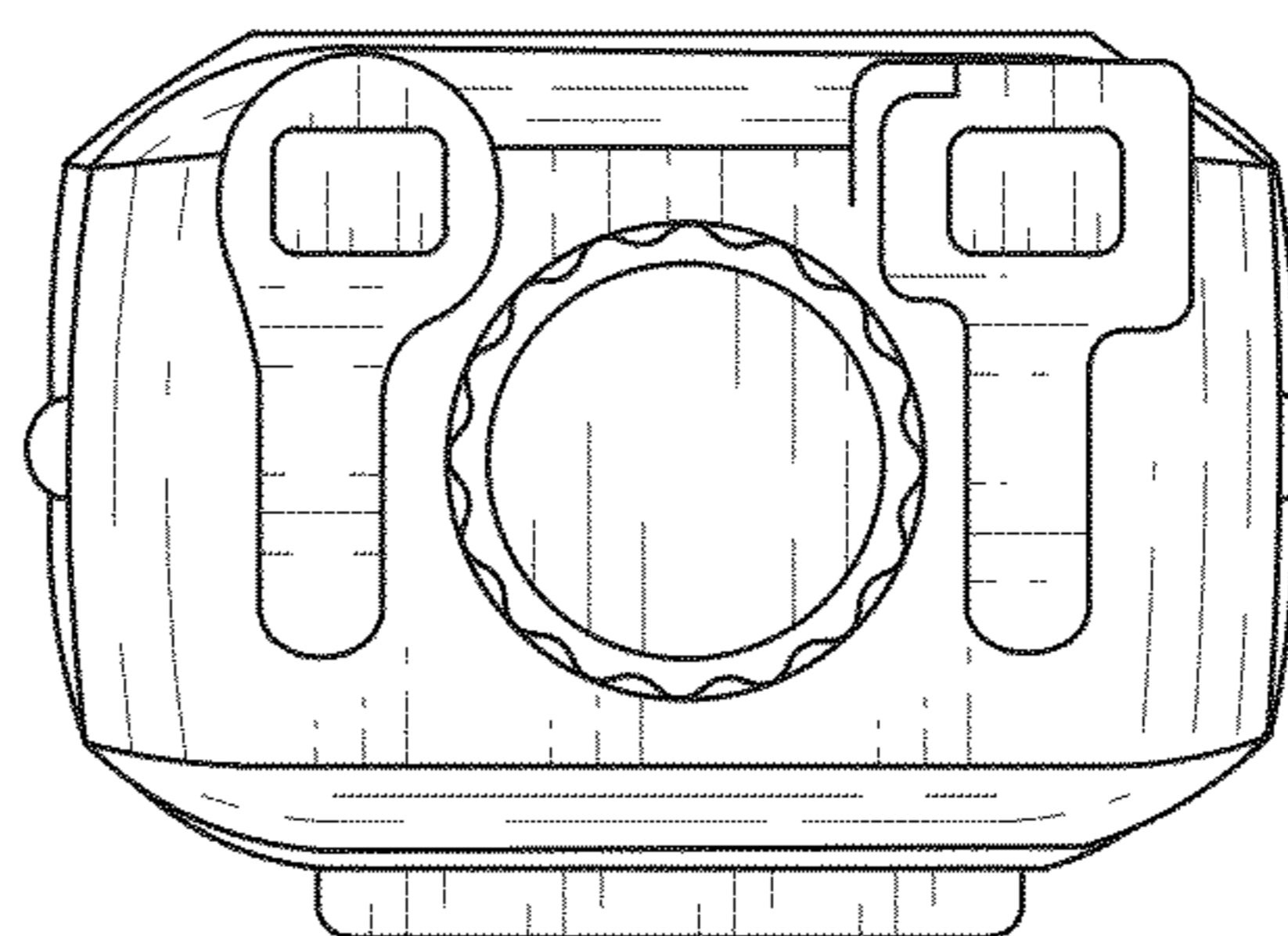


FIG. 9