



US00D694795S

(12) **United States Design Patent**  
**Hyers et al.**

(10) **Patent No.:** **US D694,795 S**  
(45) **Date of Patent:** **\*\* Dec. 3, 2013**

- (54) **CAMERA SENSOR MAGNIFIER**
- (75) Inventors: **Michelle L. Hyers**, Greenlawn, NY  
(US); **Marc A. Stubel**, Dix Hills, NY  
(US)
- (73) Assignee: **Carson Optical, Inc.**, Hauppauge, NY  
(US)
- (\*\*) Term: **14 Years**
- (21) Appl. No.: **29/409,694**
- (22) Filed: **Dec. 28, 2011**
- (51) **LOC (9) Cl.** ..... **16-06**
- (52) **U.S. Cl.**  
USPC ..... **D16/135**
- (58) **Field of Classification Search**  
USPC ..... D16/130, 131, 134, 135, 136; D26/51,  
D26/61; 359/436, 440, 441, 801, 802, 803,  
359/804, 813, 815, 819  
See application file for complete search history.

D399,515 S *	10/1998	Kung .....	D16/135
D421,999 S *	3/2000	Wilcoxson .....	D16/135
D426,860 S *	6/2000	Ho .....	D21/333
D492,336 S *	6/2004	Yip et al. ....	D16/135
D492,713 S *	7/2004	Yip et al. ....	D16/135
D568,354 S *	5/2008	Krause .....	D16/135
D584,843 S *	1/2009	Kosche .....	D26/66
D614,219 S *	4/2010	Yip et al. ....	D16/135
7,805,070 B2	9/2010	Parkola et al.	
D645,489 S *	9/2011	Gille et al. ....	D16/135
8,059,194 B2	11/2011	Meurrens	
D650,407 S *	12/2011	Chang et al. ....	D16/135
2010/0188841 A1	7/2010	Rahbar-Dehghan	

**FOREIGN PATENT DOCUMENTS**

CA 2 690 020 10/2011

\* cited by examiner

*Primary Examiner* — Phillip S Hyder

(74) *Attorney, Agent, or Firm* — Carmody & Torrance LLP

(57) **CLAIM**

The ornamental design for a camera sensor magnifier, as shown and described.

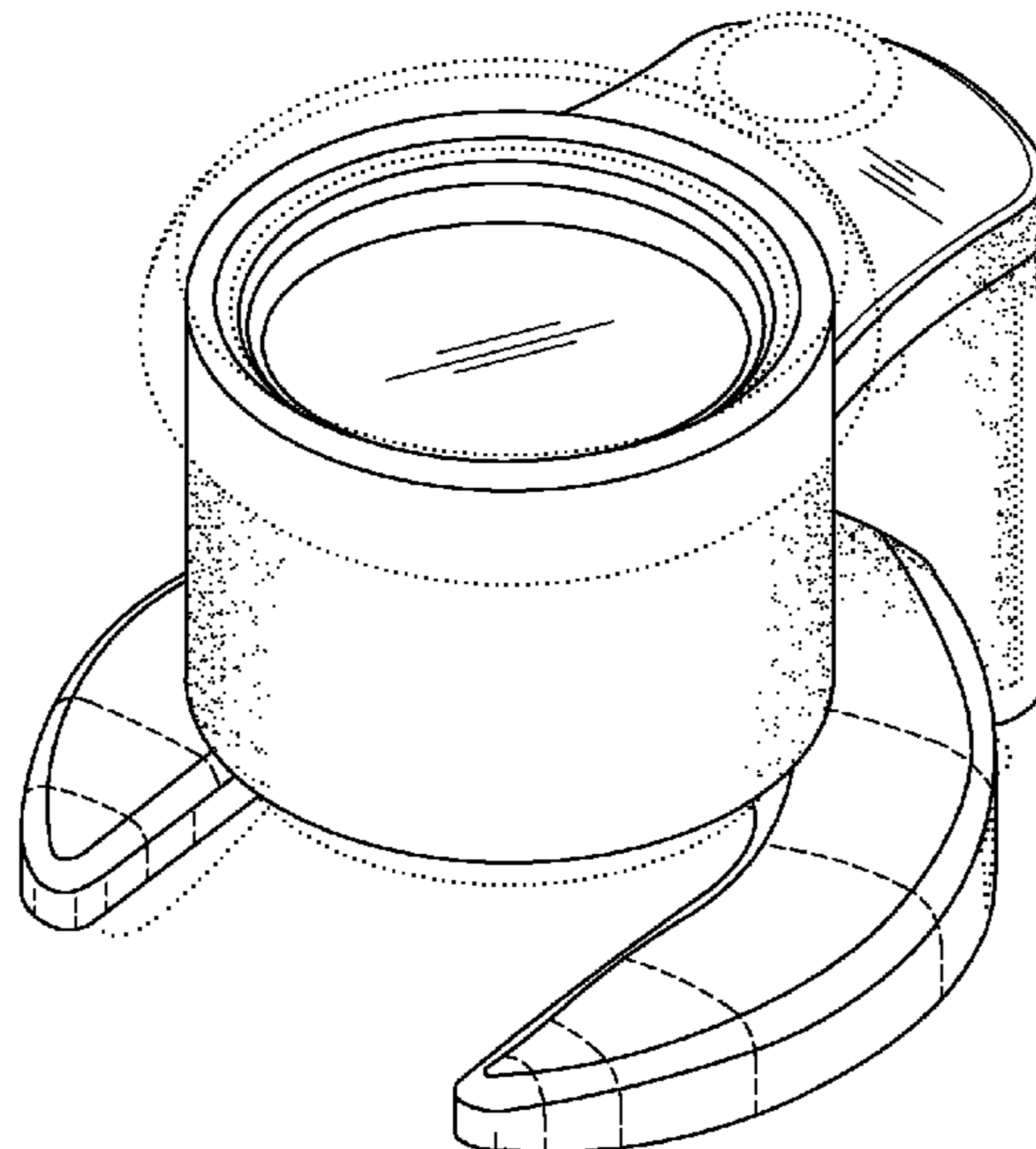
**DESCRIPTION**

FIG. 1 is a perspective view of a camera sensor magnifier showing our new design;  
 FIG. 2 is a first side elevational view thereof;  
 FIG. 3 is a second side elevational view thereof;  
 FIG. 4 is a first end elevational view thereof.  
 FIG. 5 is a second end elevational view thereof;  
 FIG. 6 is a top plan view thereof; and,  
 FIG. 7 is a bottom plan view thereof.  
 The dotted lines illustrate portions of the camera sensor magnifier that form no part of the claimed design.  
 All surface stiplings are merely intended to illustrate curvatures.

**1 Claim, 4 Drawing Sheets**

(56) **References Cited**  
U.S. PATENT DOCUMENTS

597,758 A *	1/1898	Bausch .....	359/817
1,612,693 A *	12/1926	Bausch .....	359/817
1,702,317 A *	2/1929	Rose .....	359/807
D117,126 S *	10/1939	Pike .....	D16/135
D135,421 S *	4/1943	Austin .....	D16/135
2,431,666 A *	11/1947	Fassin .....	356/397
2,630,631 A *	3/1953	McMullen .....	33/549
D196,270 S *	9/1963	Mehr .....	D16/135
3,546,778 A *	12/1970	Lepkowski .....	33/297
3,942,896 A *	3/1976	Schneider et al. ....	356/397
D246,047 S *	10/1977	Zalman .....	D16/135
D260,401 S *	8/1981	Leopoldi .....	D16/135
D276,731 S *	12/1984	Steiner .....	D16/135
4,859,032 A *	8/1989	Feinbloom .....	359/802
D303,977 S *	10/1989	Steel et al. ....	D16/135
D372,746 S *	8/1996	Mathews .....	D21/483



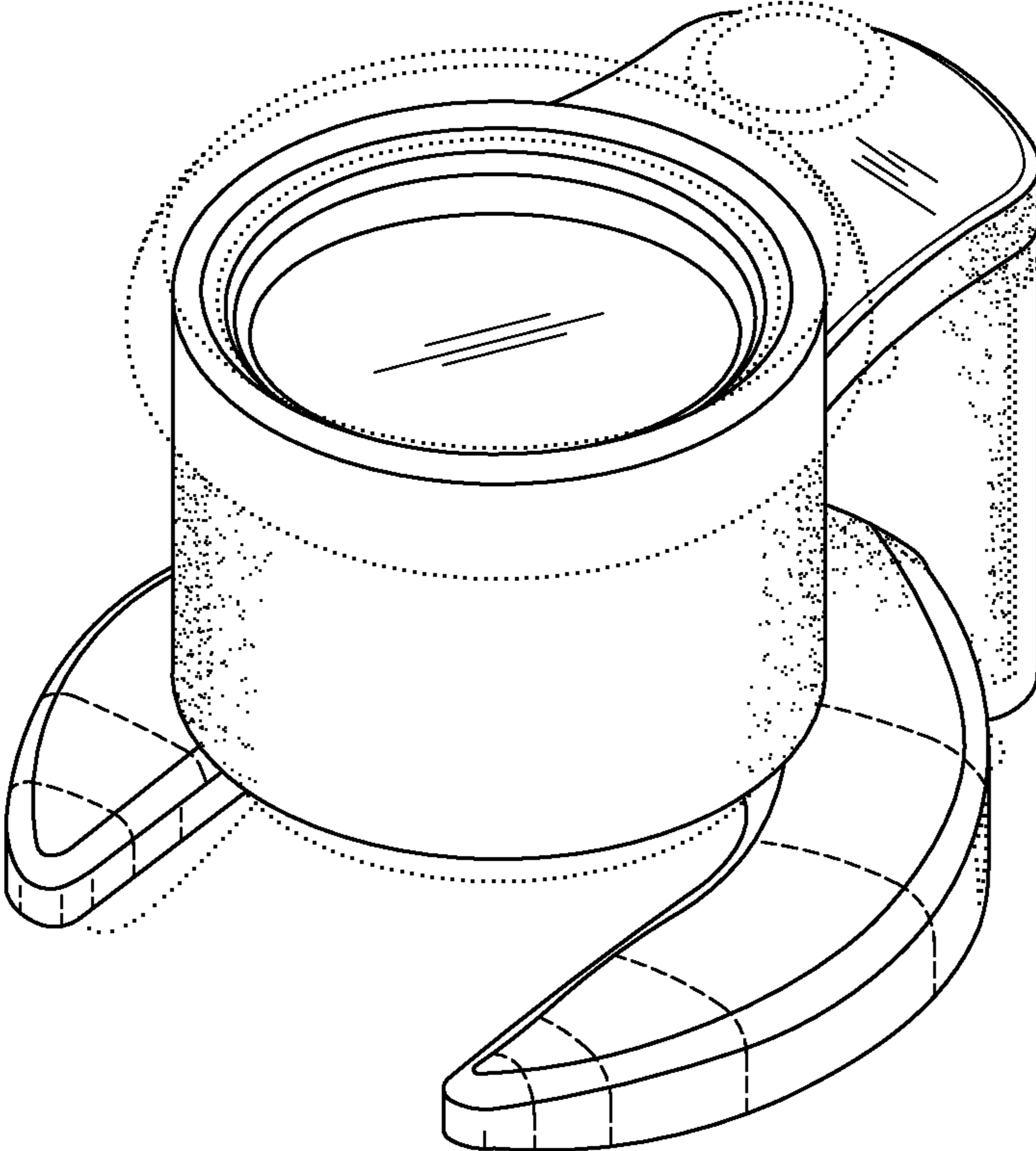


FIG. 1

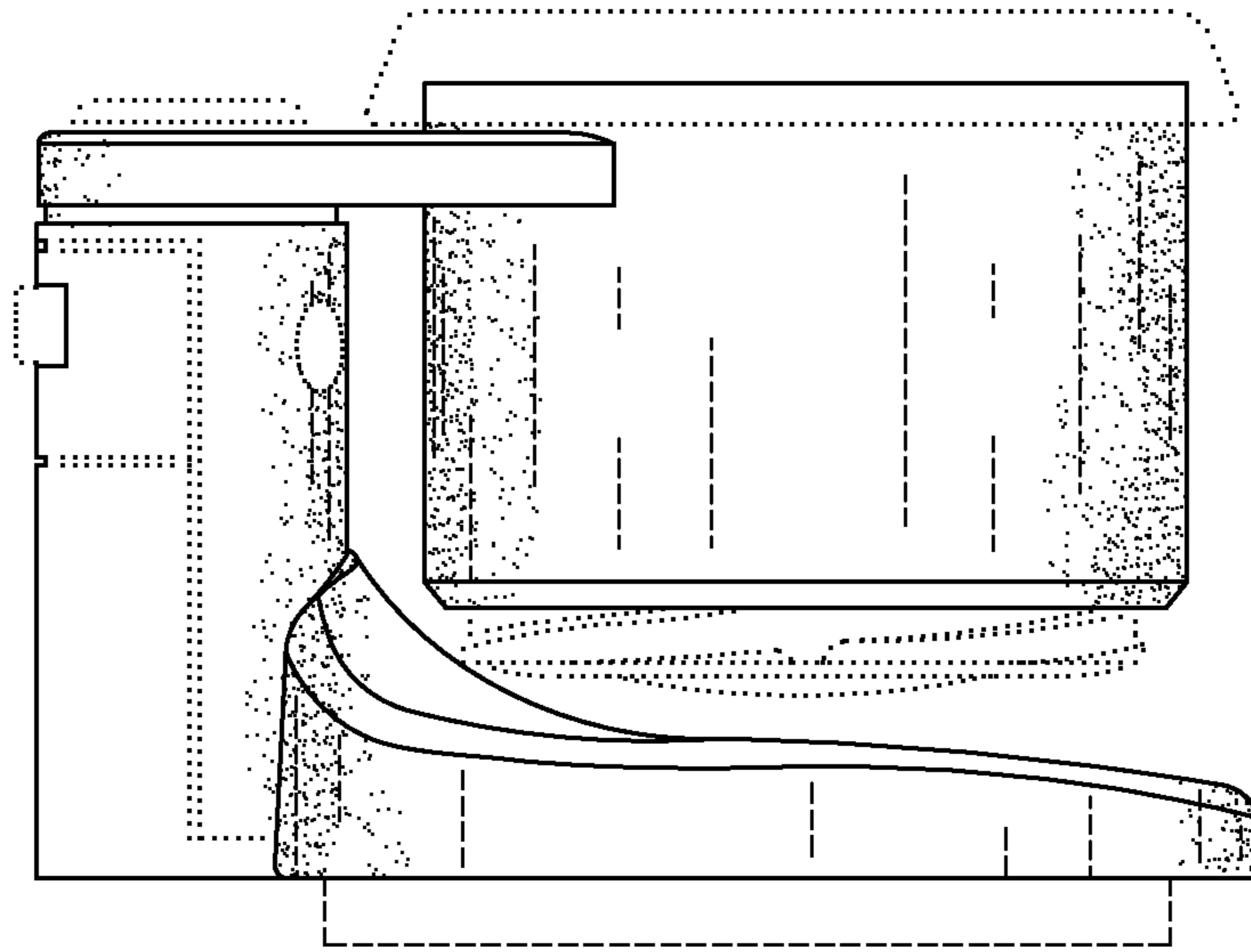


FIG. 2

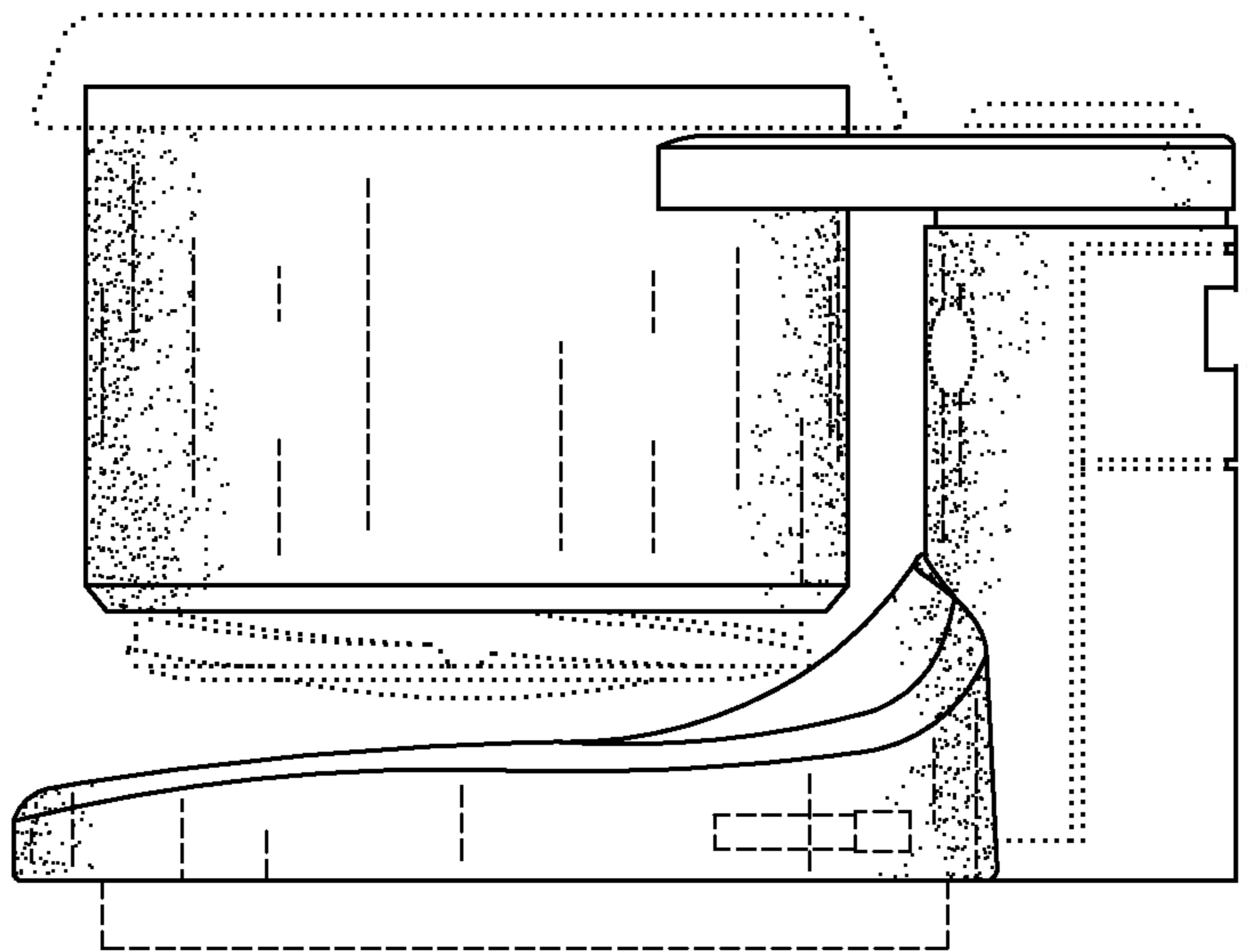


FIG. 3

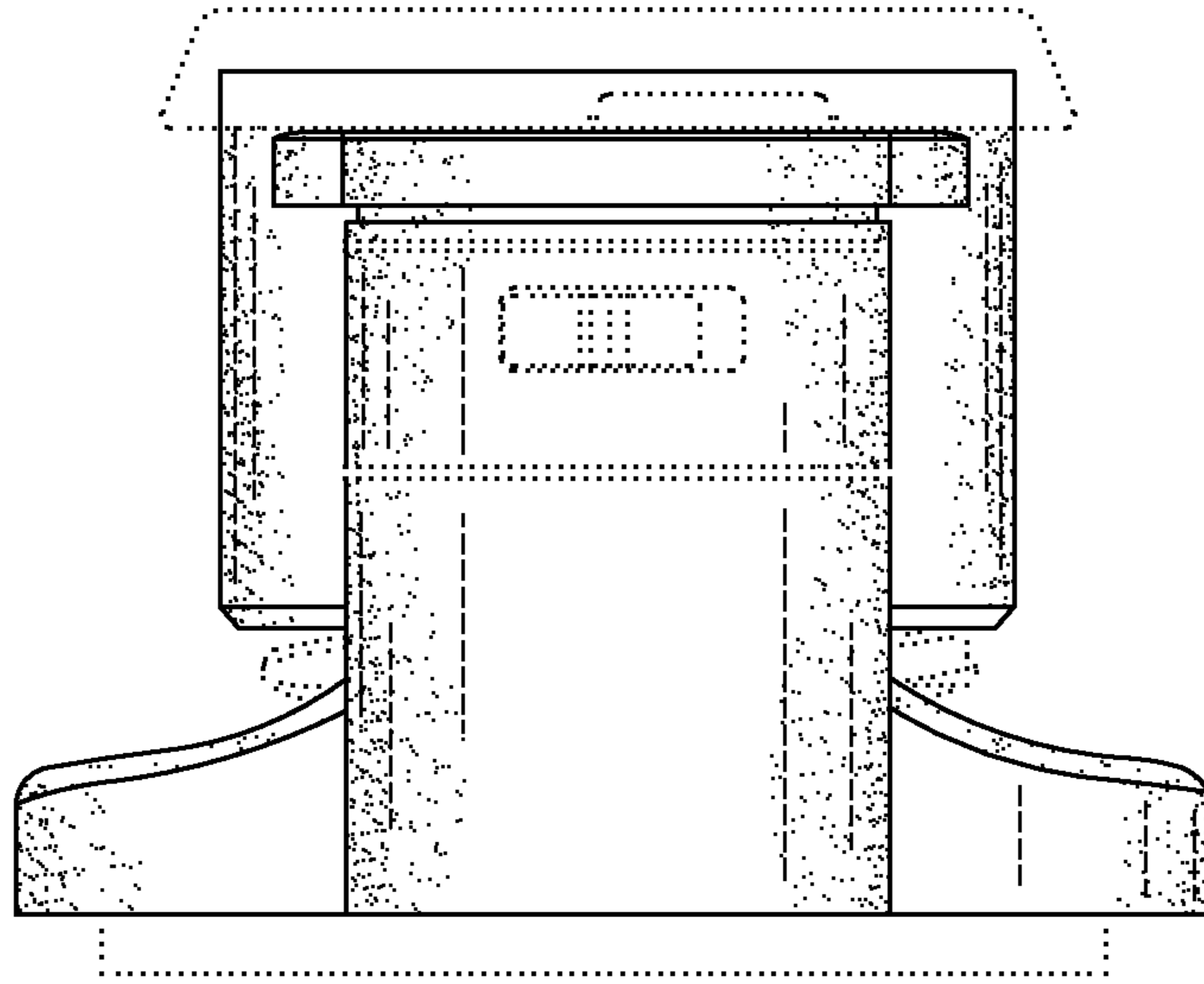


FIG. 4

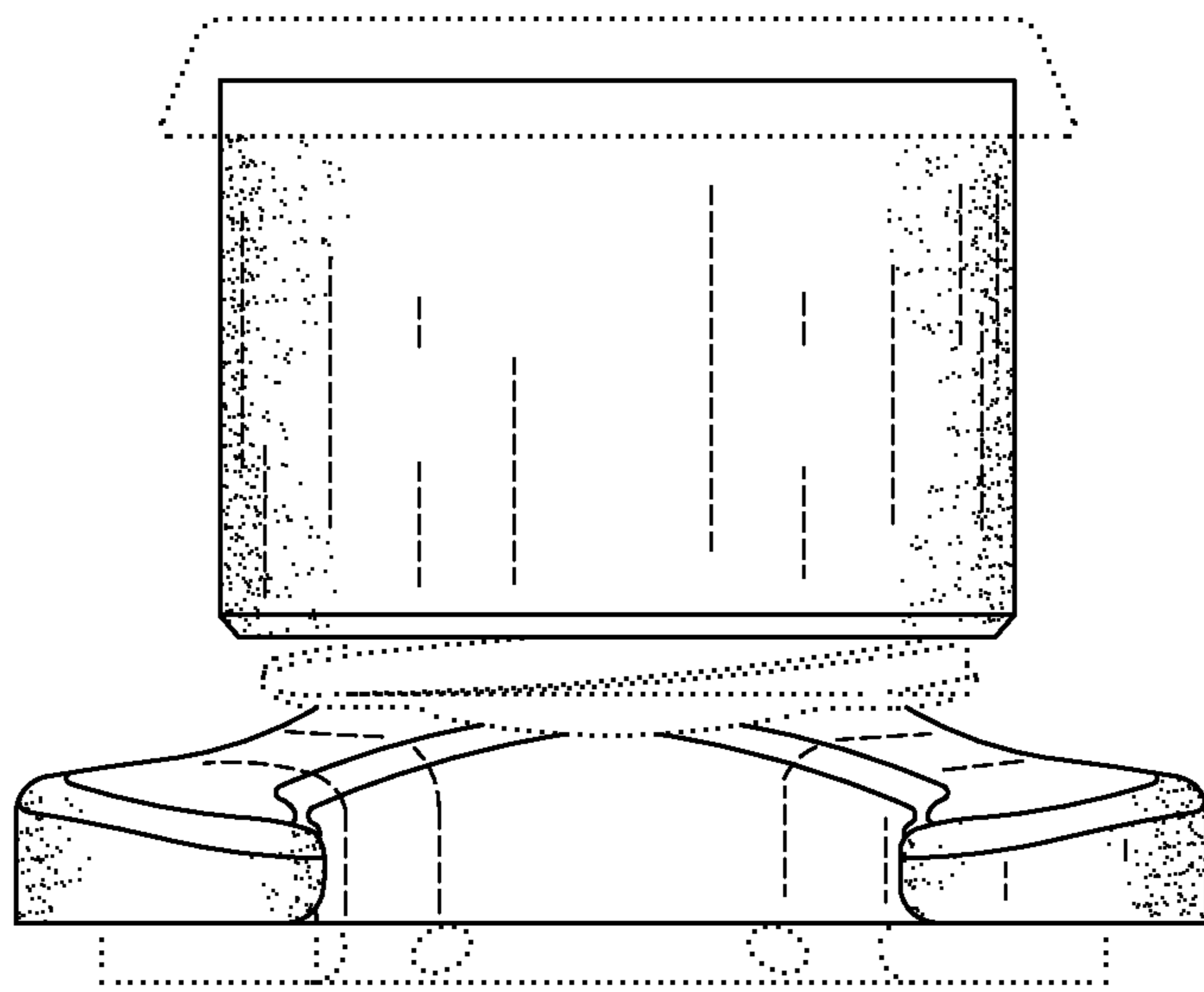


FIG. 5

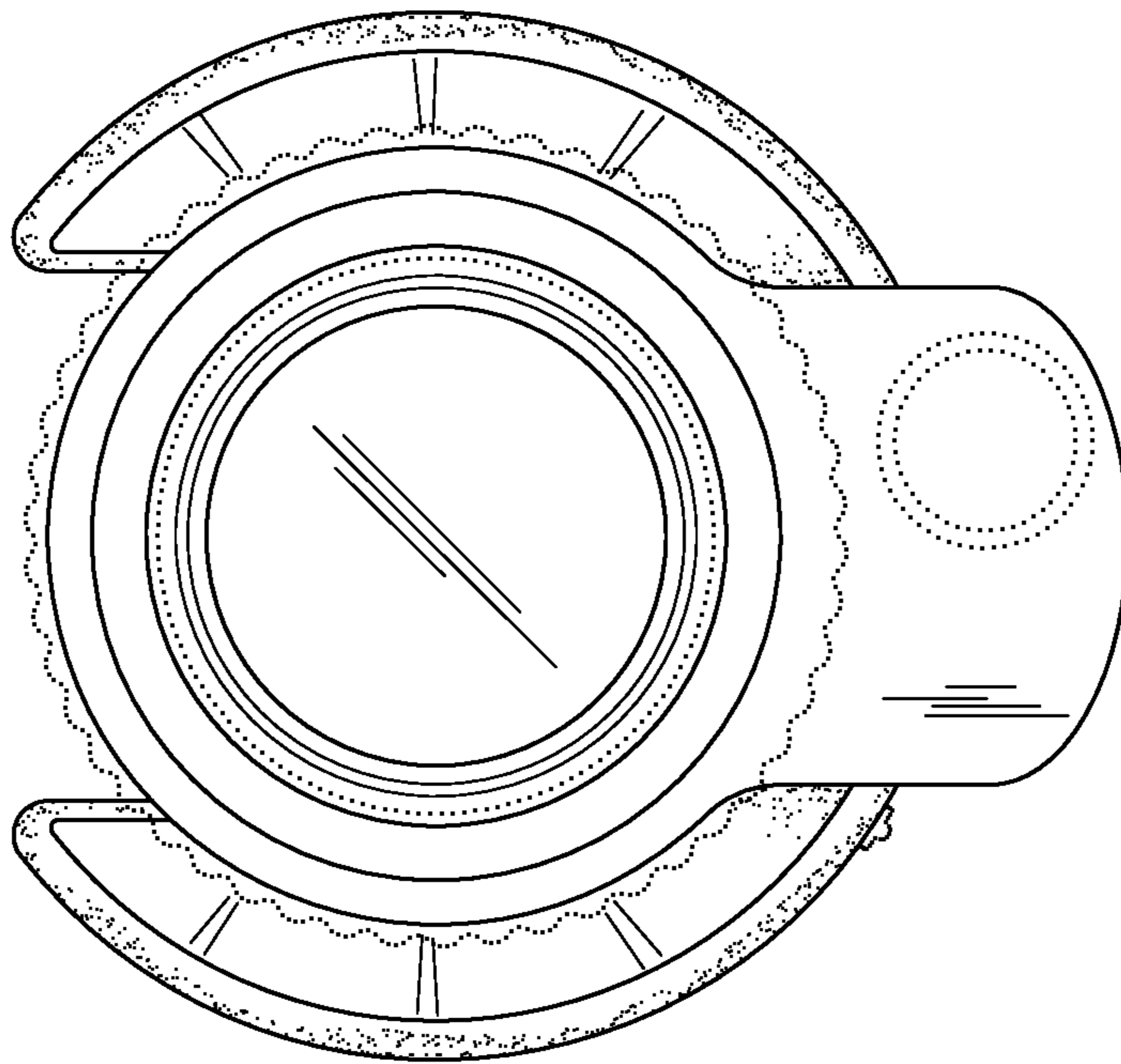


FIG. 6

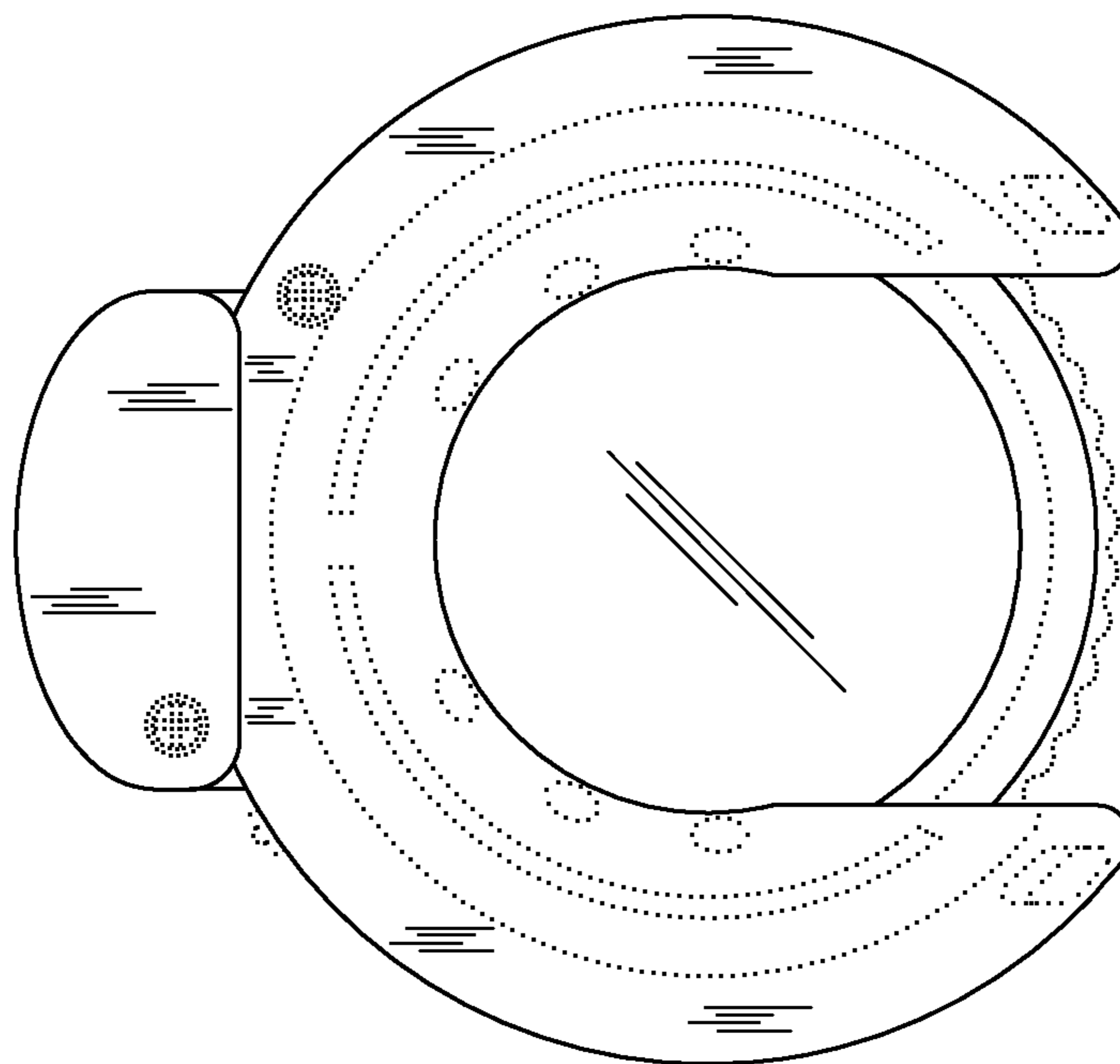


FIG. 7