



US00D694794S

(12) **United States Design Patent**  
**Cumming**

(10) **Patent No.:** **US D694,794 S**  
(45) **Date of Patent:** **\*\* Dec. 3, 2013**

- (54) **VACUUM SEALING APPLIANCE**
- (71) Applicant: **Sunbeam Products, Inc.**, Boca Raton, FL (US)
- (72) Inventor: **Justin Cumming**, Somerville, MA (US)
- (73) Assignee: **Sunbeam Products, Inc.**, Boca Raton, FL (US)
- (\*\*) Term: **14 Years**
- (21) Appl. No.: **29/464,255**
- (22) Filed: **Aug. 14, 2013**
- (51) **LOC (9) Cl.** ..... **15-99**
- (52) **U.S. Cl.**  
USPC ..... **D15/146**
- (58) **Field of Classification Search**  
USPC ..... D15/145, 146; D18/50, 51, 53, 54;  
53/373, 374.8, 374.9, 389.2, 389.3,  
53/390, 405, 432-434, 510-512; 101/9;  
156/497, 515, 583.1-583.91; 219/143,  
219/227, 229, 230, 233, 240, 243, 256  
See application file for complete search history.

D536,355 S *	2/2007	Levsen et al.	.....	D15/146
D579,957 S *	11/2008	Kiple et al.	.....	D15/145
D593,586 S *	6/2009	Hashimoto et al.	.....	D15/146
D608,803 S *	1/2010	Hageman et al.	.....	D15/146
D609,237 S *	2/2010	Romanoff et al.	.....	D14/422
D618,716 S *	6/2010	Huang	.....	D15/146
D633,118 S *	2/2011	Beatty et al.	.....	D15/146
D650,387 S *	12/2011	Iwatsu et al.	.....	D14/422
D658,694 S *	5/2012	Day et al.	.....	D15/146
D663,331 S *	7/2012	Day et al.	.....	D15/146
D669,081 S *	10/2012	Iwai et al.	.....	D14/422
D682,329 S *	5/2013	Day et al.	.....	D15/146
D686,649 S *	7/2013	Zhou et al.	.....	D15/146
D687,079 S *	7/2013	Mueller et al.	.....	D15/146
D687,436 S *	8/2013	Penke et al.	.....	D14/422
2005/0022480 A1 *	2/2005	Brakes	.....	53/512
2005/0050855 A1 *	3/2005	Baptista	.....	53/434
2007/0193230 A1 *	8/2007	Bapista	.....	53/510

\* cited by examiner

*Primary Examiner* — Patricia Palasik  
(74) *Attorney, Agent, or Firm* — Michael J. Corrigan

(57) **CLAIM**  
The ornamental design for a vacuum sealing appliance, as shown and described.

**DESCRIPTION**

FIG. 1 is a front perspective view of the vacuum sealing appliance;  
FIG. 2 is a right side view thereof;  
FIG. 3 is a left side view thereof;  
FIG. 4 is a front view thereof;  
FIG. 5 is a rear view thereof;  
FIG. 6 is a top view thereof; and,  
FIG. 7 is a bottom view thereof.  
The portion shown in dashed lines is shown for illustrative purposes only and forms no part of the claimed design.

**1 Claim, 4 Drawing Sheets**

- (56) **References Cited**  
U.S. PATENT DOCUMENTS
- D215,568 S \* 10/1969 Kellogg ..... D15/146
- D233,066 S \* 10/1974 Bair ..... D15/146
- D249,526 S \* 9/1978 Kishida ..... D15/146
- D301,238 S \* 5/1989 Makihara ..... D15/146
- 5,232,538 A \* 8/1993 Liu ..... 156/359
- D342,532 S \* 12/1993 Deni ..... D15/146
- D350,364 S \* 9/1994 Kawashima et al. .... D18/50
- D358,827 S \* 5/1995 Fung ..... D15/146
- 5,893,822 A \* 4/1999 Deni et al. .... 53/512
- D483,059 S \* 12/2003 Goh et al. .... D18/50
- D506,214 S \* 6/2005 Zepter ..... D15/146

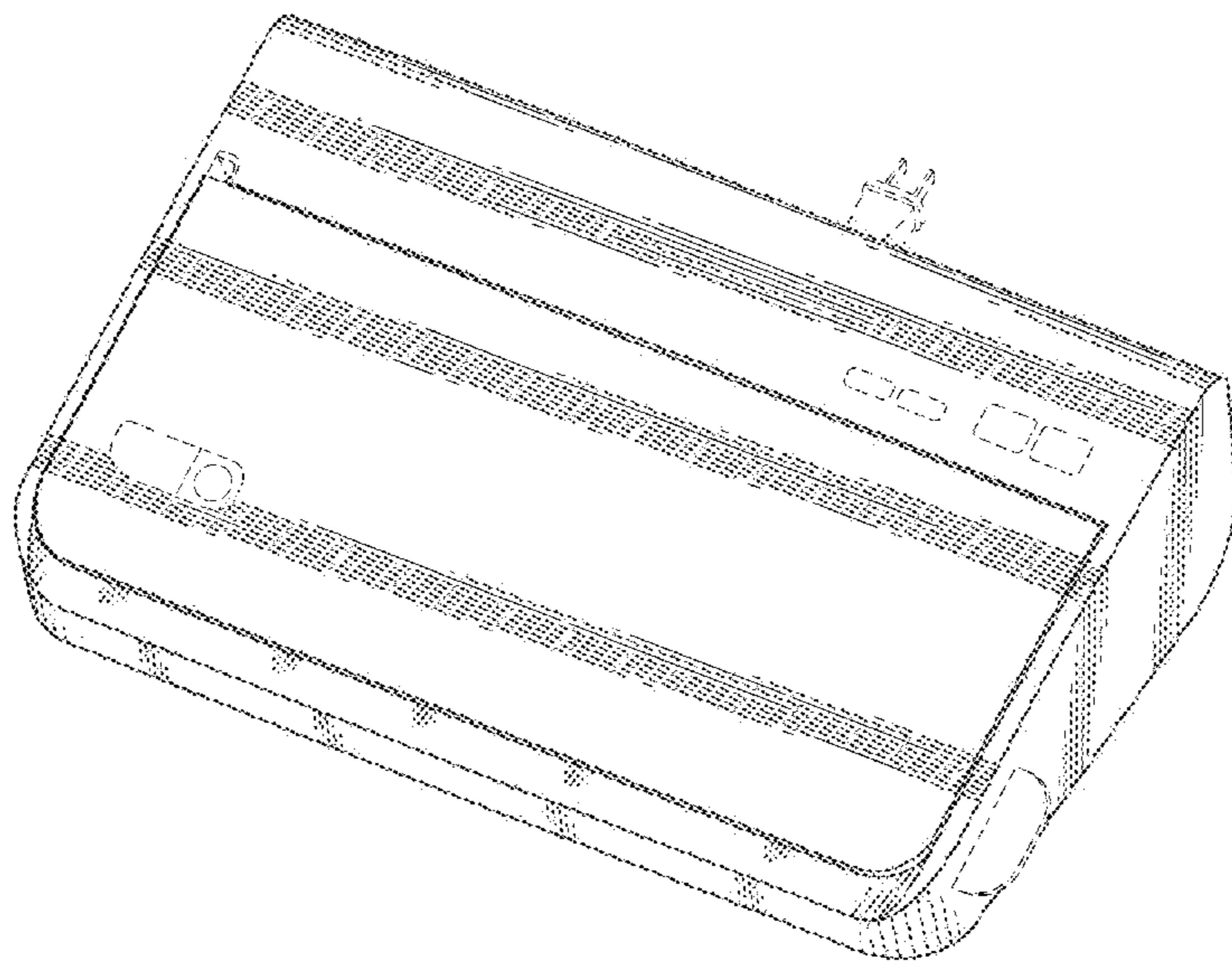


FIG. 1

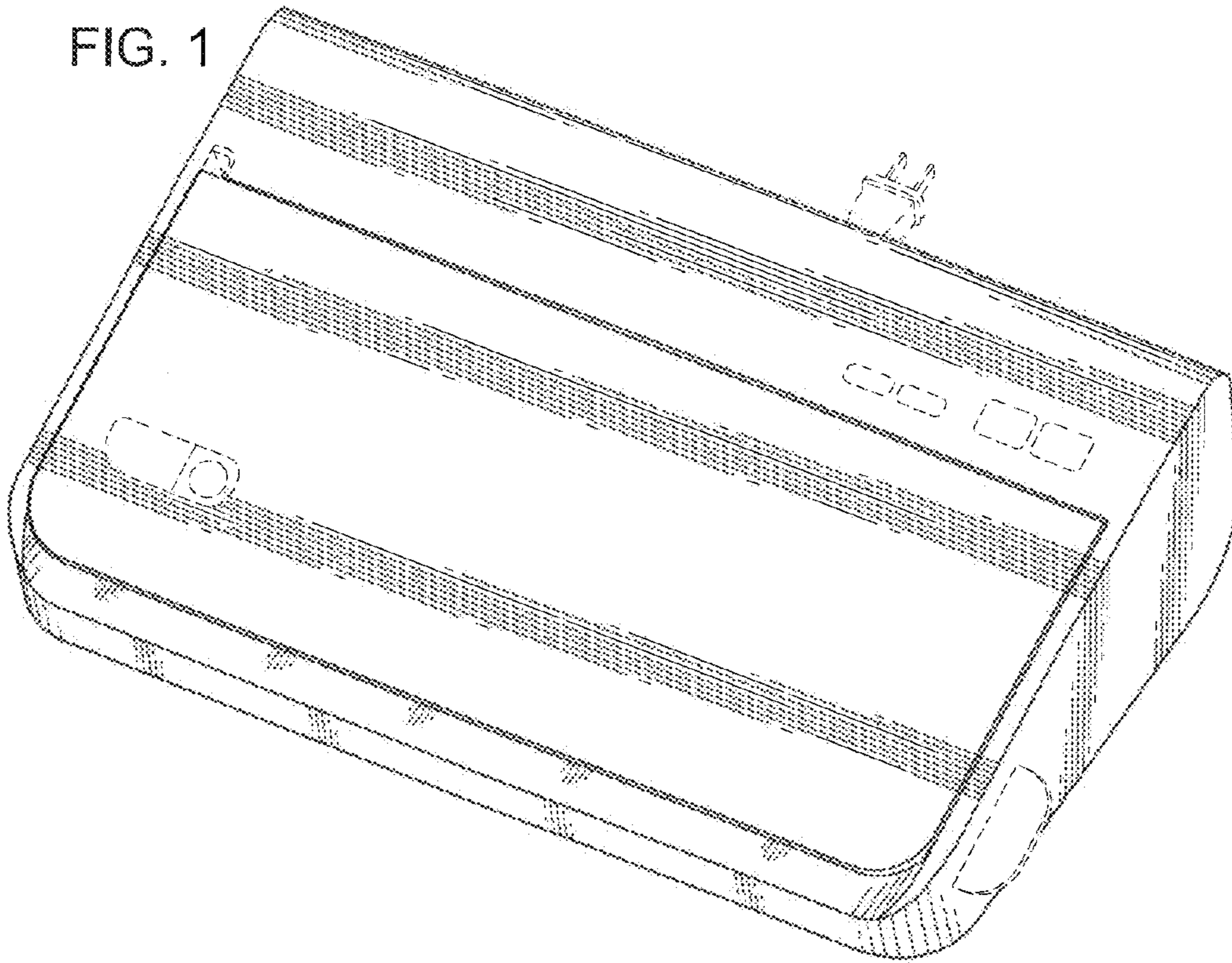


FIG. 2

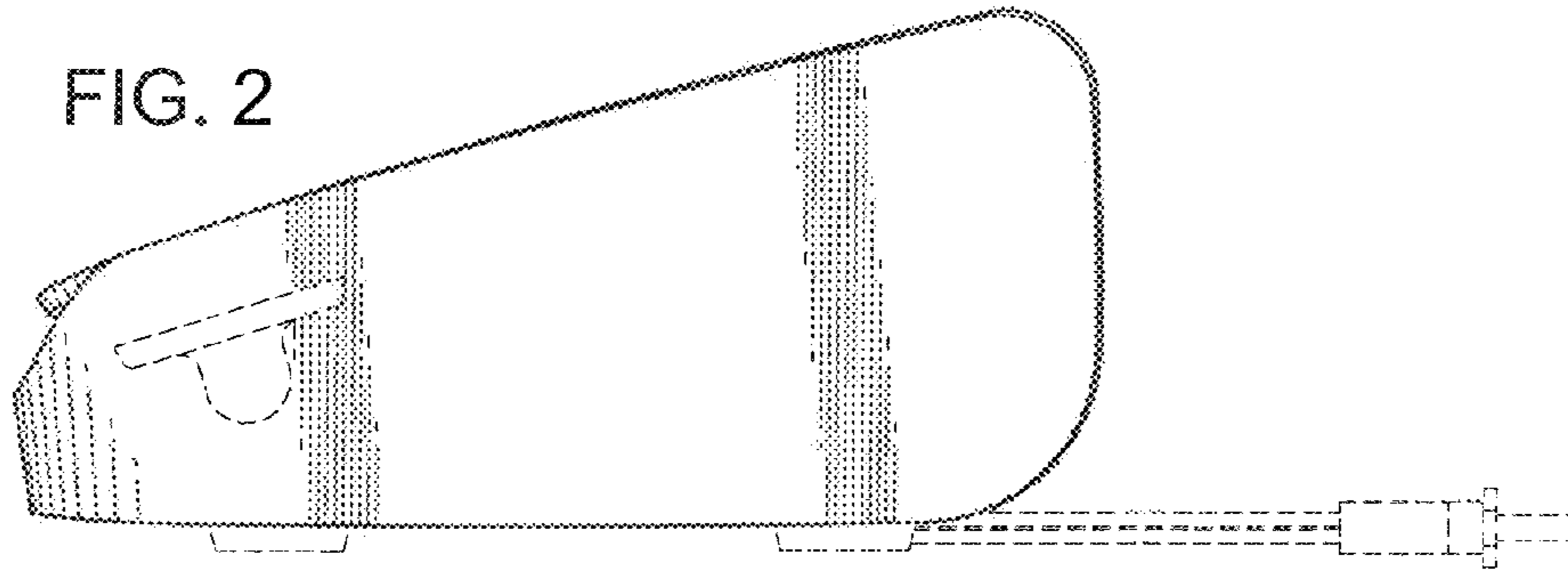


FIG. 3

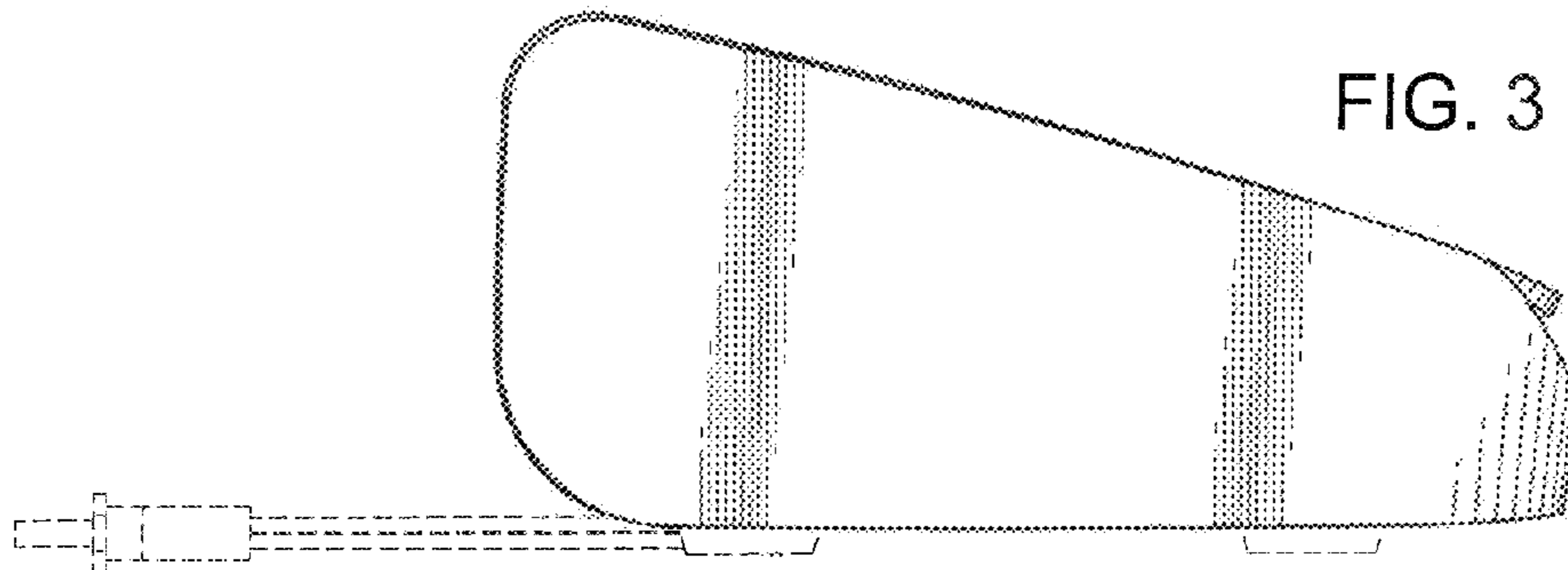




FIG. 4

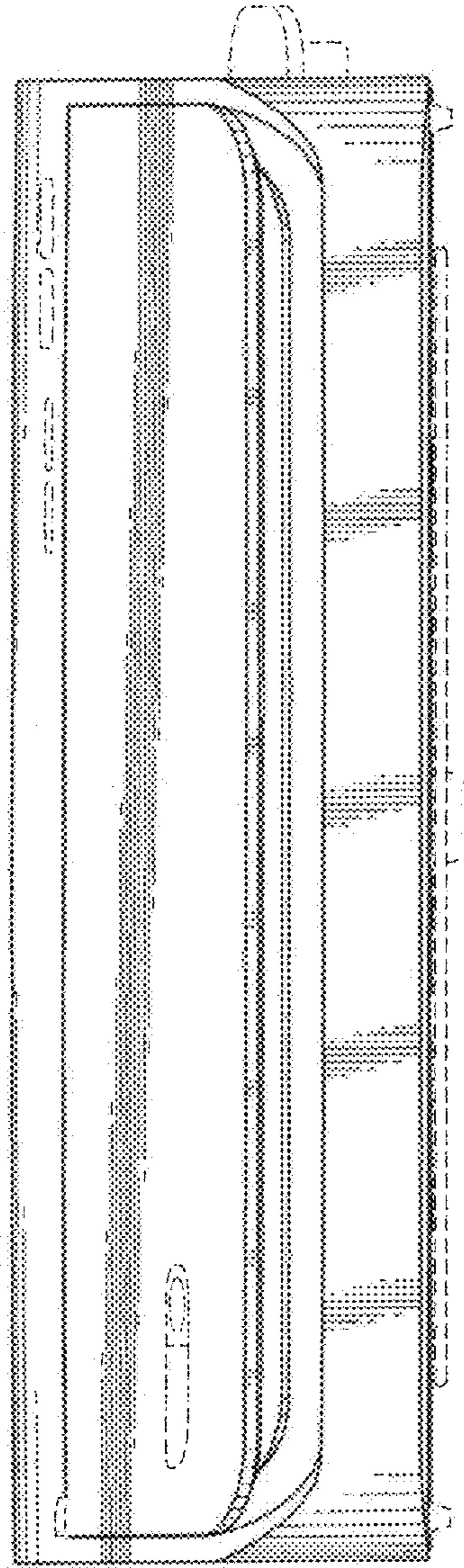
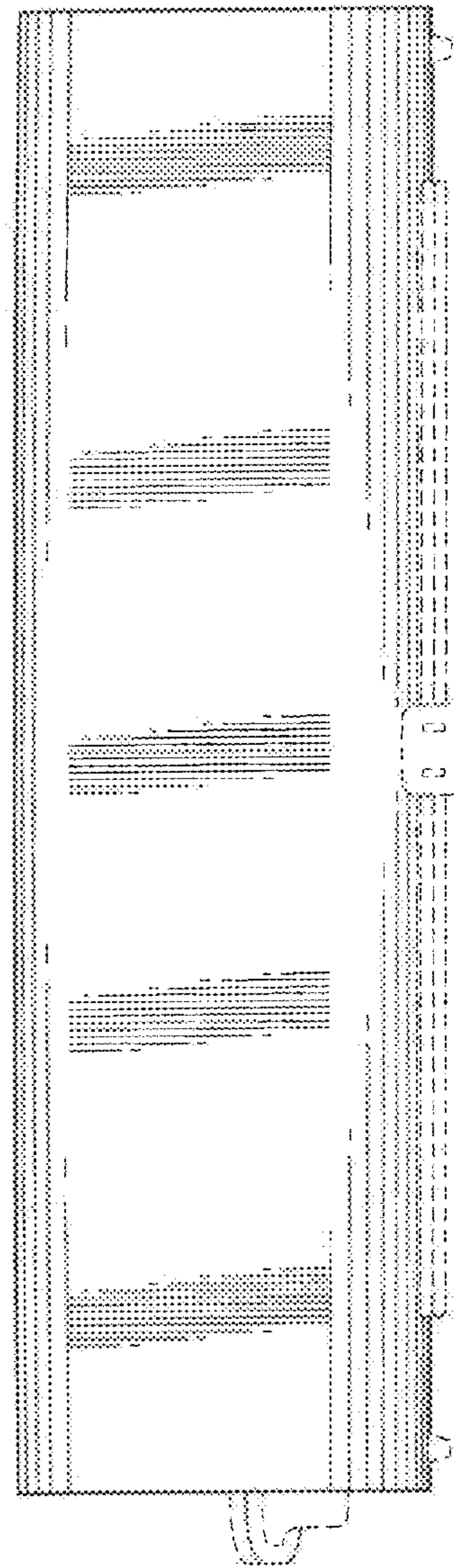


FIG. 5



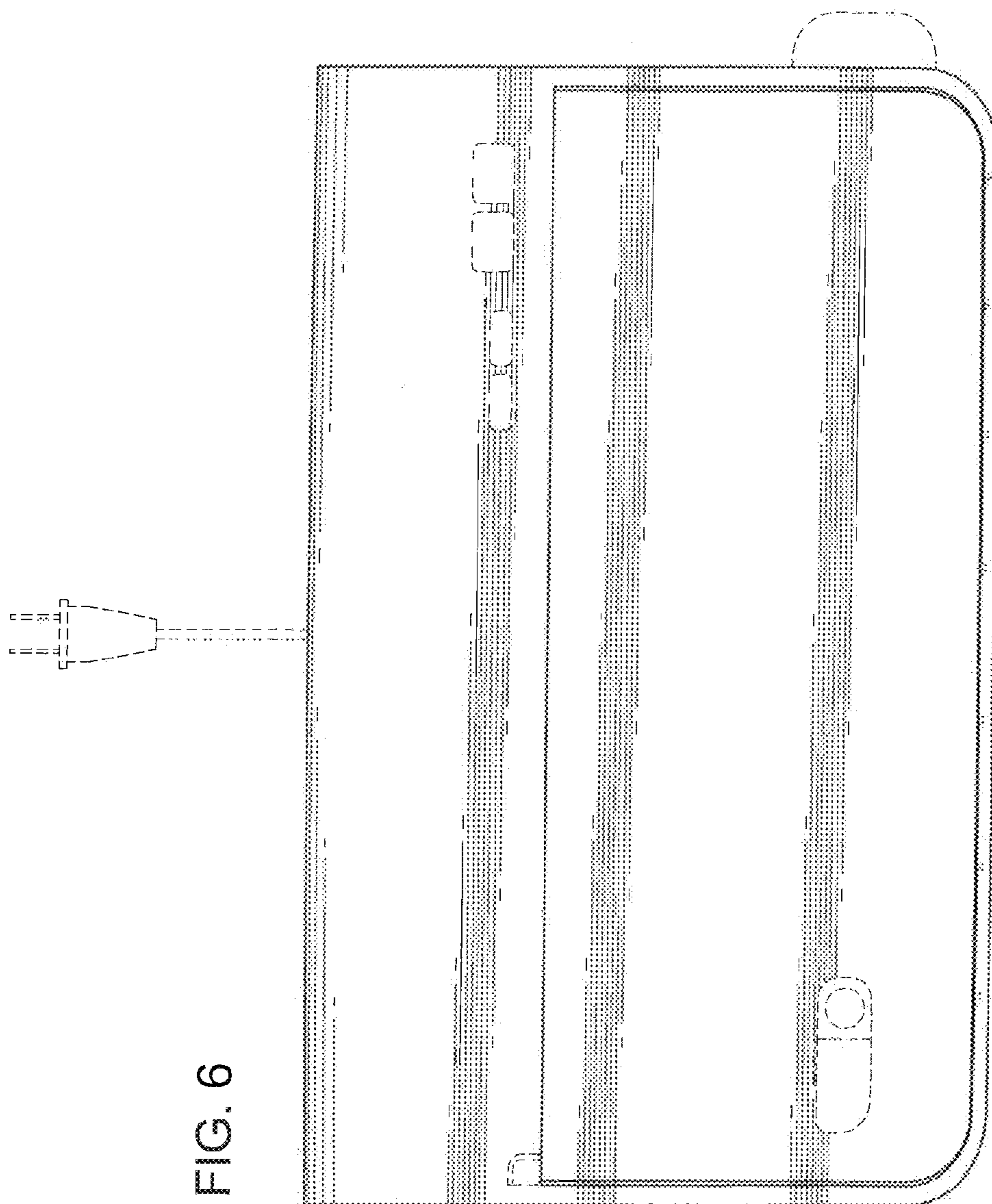


FIG. 6

FIG. 7

