

US00D694793S

(12) **United States Design Patent**
Cumming et al.

(10) **Patent No.:** **US D694,793 S**

(45) **Date of Patent:** **** Dec. 3, 2013**

- (54) **VACUUM SEALING APPLIANCE**
- (71) Applicant: **Sunbeam Products, Inc.**, Boca Raton, FL (US)
- (72) Inventors: **Justin Cumming**, Somerville, MA (US);
Arvin Abadilla, Jamaica Plain, MA (US)
- (73) Assignee: **Sunbeam Products, Inc.**, Boca Raton, FL (US)
- (**) Term: **14 Years**
- (21) Appl. No.: **29/464,236**
- (22) Filed: **Aug. 14, 2013**
- (51) **LOC (9) Cl.** **15-99**
- (52) **U.S. Cl.**
USPC **D15/146**
- (58) **Field of Classification Search**
USPC D15/145, 146; D18/50, 51, 53, 54;
53/373, 374.8, 374.9, 389.2, 389.3,
53/390, 405, 432-434, 510-512; 101/9;
156/497, 515, 583.1-583.91; 219/143,
219/227, 229, 230, 233, 240, 243, 256
See application file for complete search history.

(56) **References Cited**

U.S. PATENT DOCUMENTS

D215,568 S *	10/1969	Kellogg	D15/146
D233,066 S *	10/1974	Bair	D15/146
D249,526 S *	9/1978	Kishida	D15/146
D301,238 S *	5/1989	Makihara	D15/146
5,232,538 A *	8/1993	Liu	156/359
D342,532 S *	12/1993	Deni	D15/146
D350,364 S *	9/1994	Kawashima et al.	D18/50
D358,827 S *	5/1995	Fung	D15/146
5,893,822 A *	4/1999	Deni et al.	53/512

D483,059 S *	12/2003	Goh et al.	D18/50
D506,214 S *	6/2005	Zepter	D15/146
D536,355 S *	2/2007	Levsen et al.	D15/146
D579,957 S *	11/2008	Kiple et al.	D15/145
D593,586 S *	6/2009	Hashimoto et al.	D15/146
D608,803 S *	1/2010	Hageman et al.	D15/146
D609,237 S *	2/2010	Romanoff et al.	D14/422
D618,716 S *	6/2010	Huang	D15/146
D633,118 S *	2/2011	Beatty et al.	D15/146
D650,387 S *	12/2011	Iwatsu et al.	D14/422
D658,694 S *	5/2012	Day et al.	D15/146
D663,331 S *	7/2012	Day et al.	D15/146
D669,081 S *	10/2012	Iwai et al.	D14/422
D682,329 S *	5/2013	Day et al.	D15/146
D686,649 S *	7/2013	Zhou et al.	D15/146
D687,079 S *	7/2013	Mueller et al.	D15/146
D687,436 S *	8/2013	Penke et al.	D14/422
2005/0022480 A1 *	2/2005	Brakes	53/512
2005/0050855 A1 *	3/2005	Baptista	53/434
2007/0193230 A1 *	8/2007	Bapista	53/510

* cited by examiner

Primary Examiner — Patricia Palasik

(74) *Attorney, Agent, or Firm* — Michael J. Corrigan

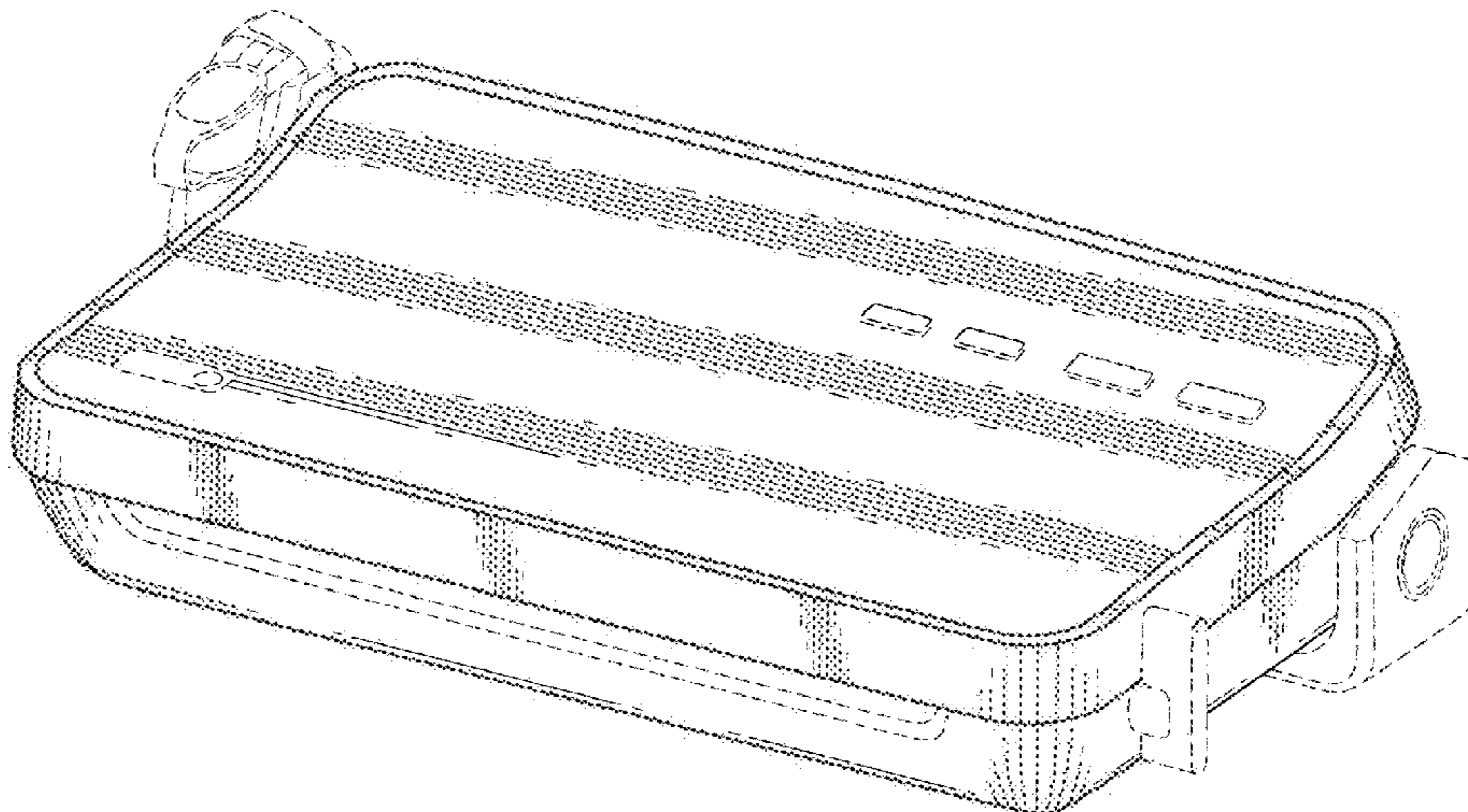
(57) **CLAIM**

The ornamental design for a vacuum sealing appliance, as shown and described.

DESCRIPTION

FIG. 1 is a front perspective view of the vacuum sealing appliance;
 FIG. 2 is a front view thereof;
 FIG. 3 is a rear view thereof;
 FIG. 4 is a left side view thereof;
 FIG. 5 is a right side view thereof;
 FIG. 6 is a top view thereof; and,
 FIG. 7 is a bottom view thereof.
 The portion shown in dashed lines is shown for illustrative purposes only and forms no part of the claimed design.

1 Claim, 5 Drawing Sheets



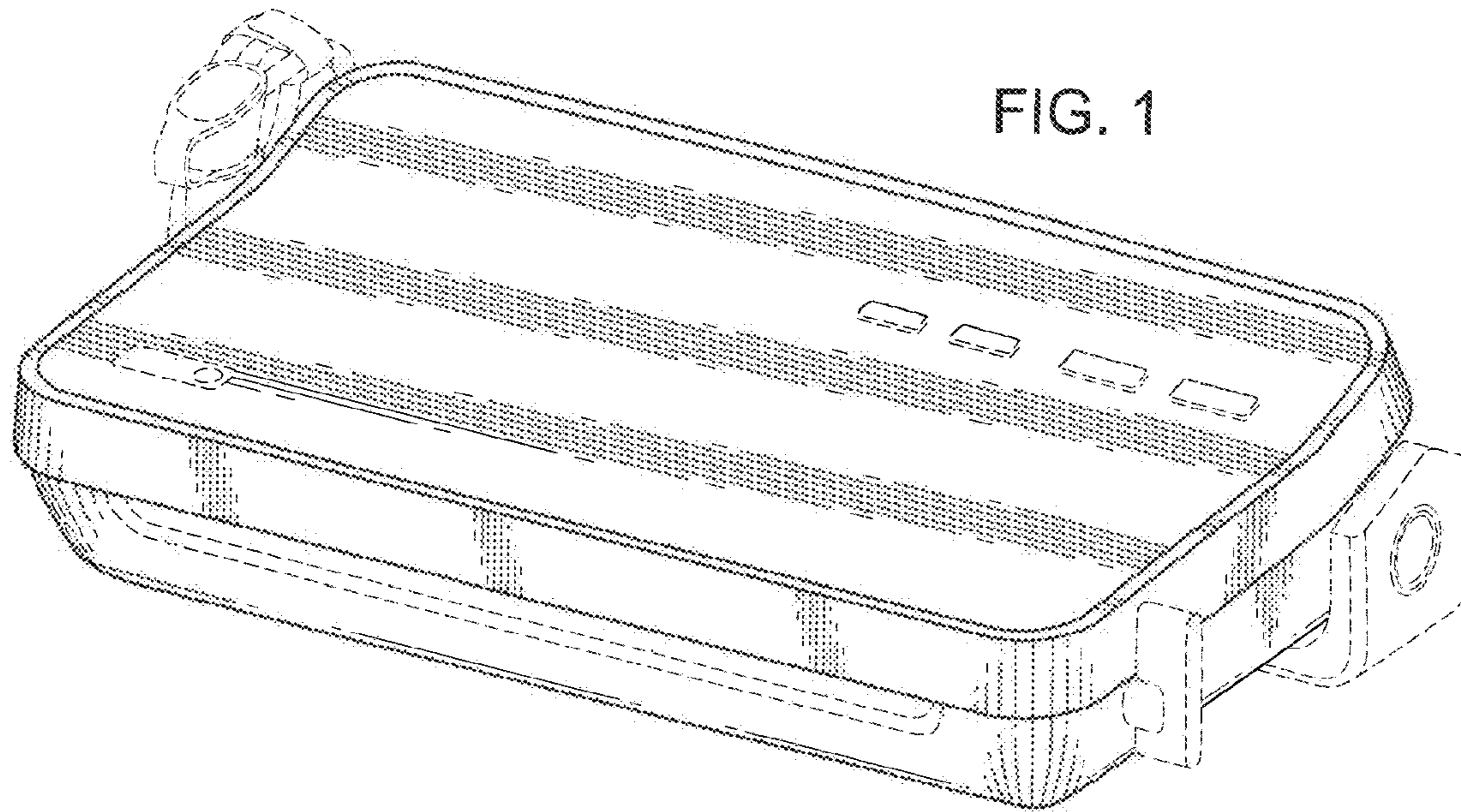


FIG. 1

FIG. 2

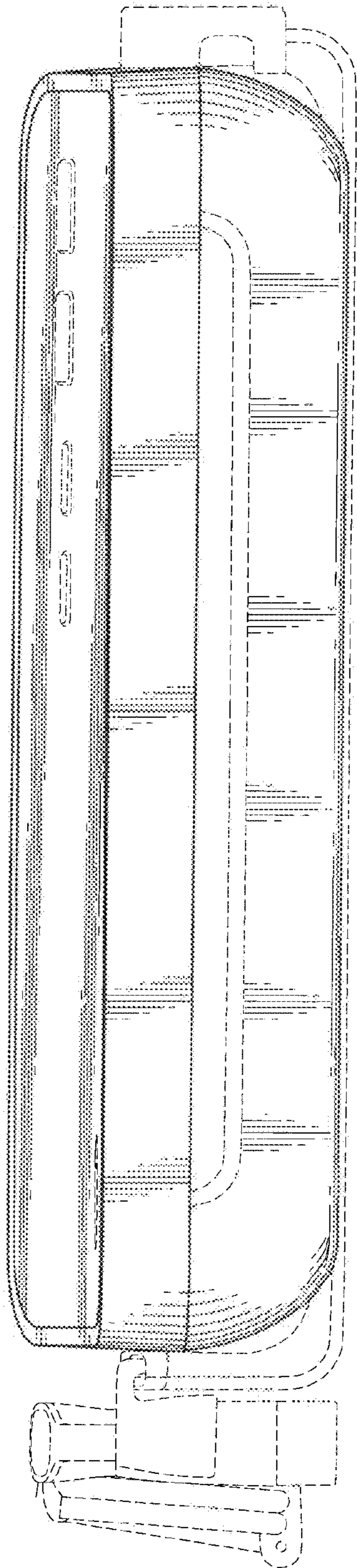


FIG. 3

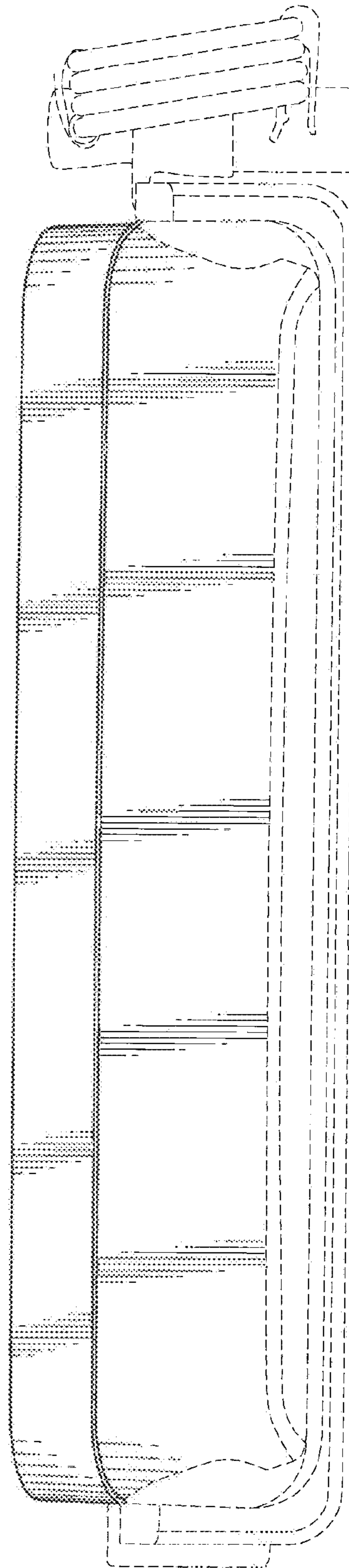


FIG. 4

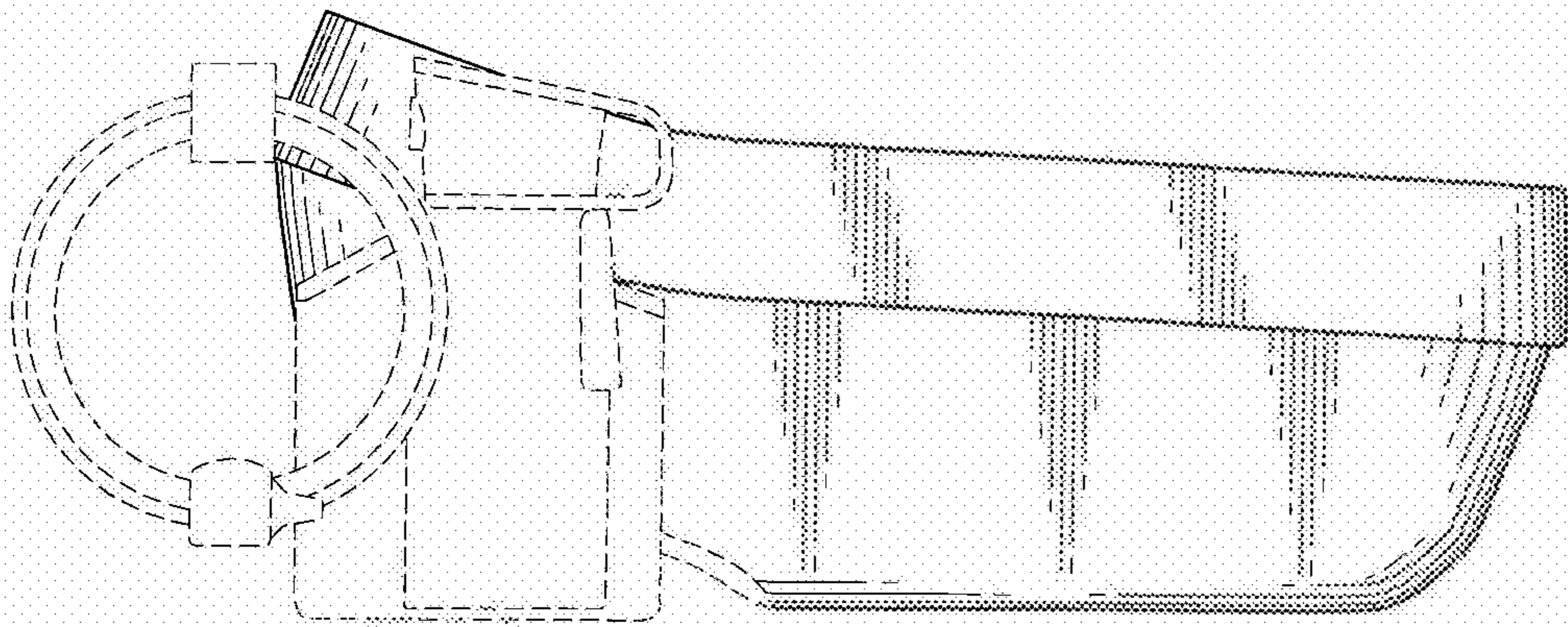
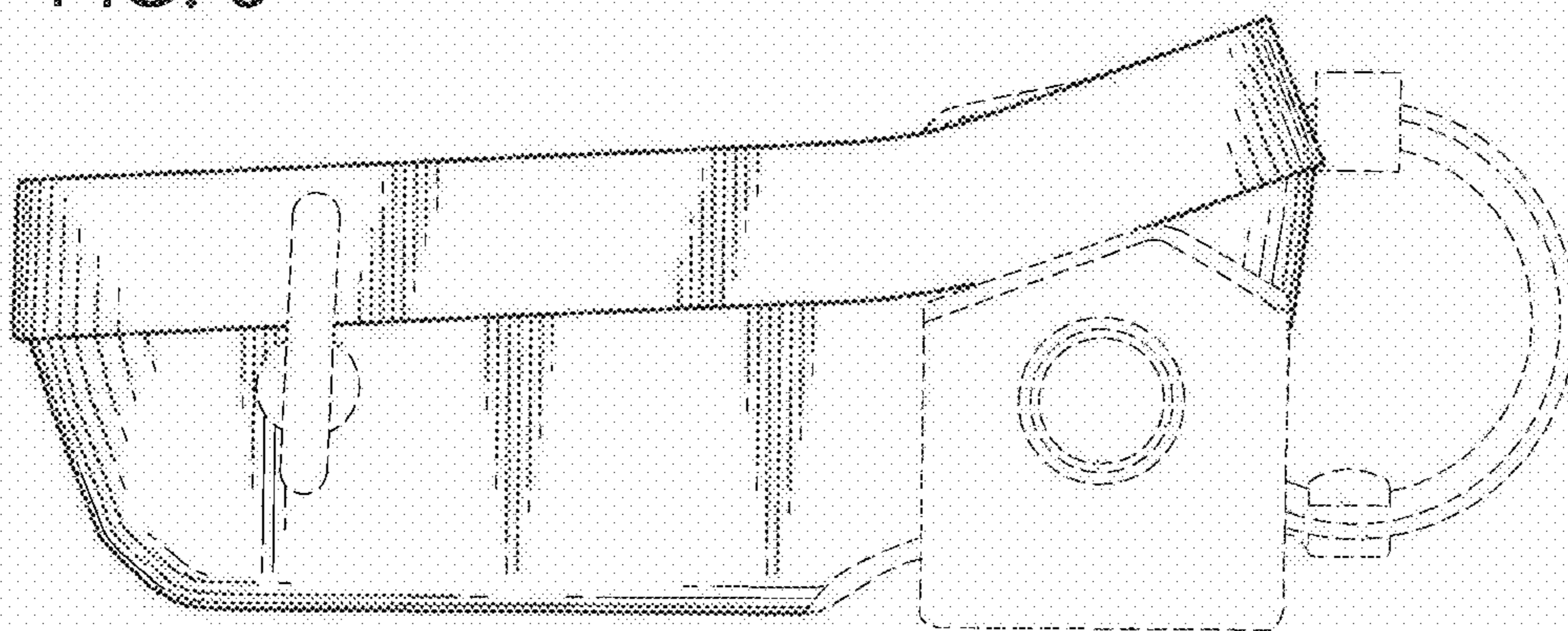


FIG. 5



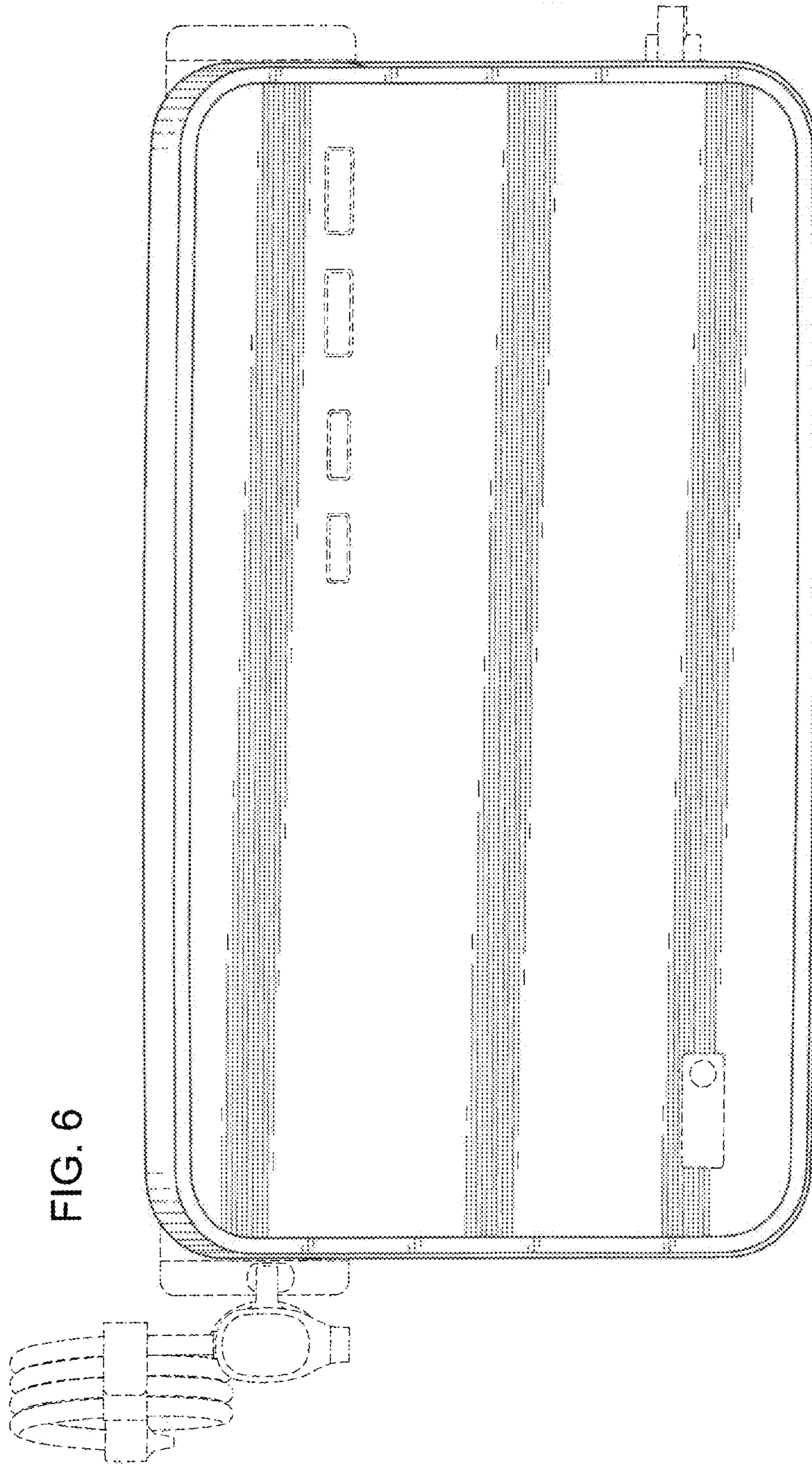


FIG. 7

