



US00D694792S

(12) **United States Design Patent**
Day et al.

(10) **Patent No.:** **US D694,792 S**
(45) **Date of Patent:** **** Dec. 3, 2013**

- (54) **VACUUM SEALING APPLIANCE**
- (71) Applicant: **Sunbeam Products, Inc.**, Boca Raton, FL (US)
- (72) Inventors: **Adam Day**, Boynton Beach, FL (US); **Jamal F. Hammad**, Boynton Beach, FL (US); **Justin Cumming**, Somerville, MA (US)
- (73) Assignee: **Sunbeam Products, Inc.**, Boca Raton, FL (US)
- (**) Term: **14 Years**
- (21) Appl. No.: **29/464,217**
- (22) Filed: **Aug. 14, 2013**
- (51) **LOC (9) Cl.** **15-99**
- (52) **U.S. Cl.**
USPC **D15/146**
- (58) **Field of Classification Search**
USPC D15/145, 146; D18/50, 51, 53, 54; 53/373, 374.8, 374.9, 389.2, 389.3, 53/390, 405, 432-434, 510-512; 101/9; 156/497, 515, 583.1-583.91; 219/143, 219/227, 229, 230, 233, 240, 243, 256
See application file for complete search history.

D483,059	S	*	12/2003	Goh et al.	D18/50
D506,214	S	*	6/2005	Zepter	D15/146
D536,355	S	*	2/2007	Levsen et al.	D15/146
D579,957	S	*	11/2008	Kiple et al.	D15/145
D593,586	S	*	6/2009	Hashimoto et al.	D15/146
D608,803	S	*	1/2010	Hageman et al.	D15/146
D609,237	S	*	2/2010	Romanoff et al.	D14/422
D618,716	S	*	6/2010	Huang	D15/146
D633,118	S	*	2/2011	Beatty et al.	D15/146
D650,387	S	*	12/2011	Iwatsu et al.	D14/422
D658,694	S	*	5/2012	Day et al.	D15/146
D663,331	S	*	7/2012	Day et al.	D15/146
D669,081	S	*	10/2012	Iwai et al.	D14/422
D682,329	S	*	5/2013	Day et al.	D15/146
D686,649	S	*	7/2013	Zhou et al.	D15/146
D687,079	S	*	7/2013	Mueller et al.	D15/146
D687,436	S	*	8/2013	Penke et al.	D14/422
2005/0022480	A1	*	2/2005	Brakes	53/512
2005/0050855	A1	*	3/2005	Baptista	53/434
2007/0193230	A1	*	8/2007	Bapista	53/510

* cited by examiner

Primary Examiner — Patricia Palasik
(74) *Attorney, Agent, or Firm* — Michael J. Corrigan

(57) **CLAIM**
The ornamental design for a vacuum sealing appliance, as shown and described.

DESCRIPTION

FIG. 1 is a front perspective view of the vacuum sealing appliance;
FIG. 2 is a front view thereof;
FIG. 3 is a rear view thereof;
FIG. 4 is left side view thereof;
FIG. 5 is a right side view thereof;
FIG. 6 is a top view thereof; and,
FIG. 7 is a bottom view thereof.
The portion shown in dashed lines is shown for illustrative purposes only and forms no part of the claimed design.

1 Claim, 4 Drawing Sheets

- (56) **References Cited**
U.S. PATENT DOCUMENTS
- D215,568 S * 10/1969 Kellogg D15/146
- D233,066 S * 10/1974 Bair D15/146
- D249,526 S * 9/1978 Kishida D15/146
- D301,238 S * 5/1989 Makihara D15/146
- 5,232,538 A * 8/1993 Liu 156/359
- D342,532 S * 12/1993 Deni D15/146
- D350,364 S * 9/1994 Kawashima et al. D18/50
- D358,827 S * 5/1995 Fung D15/146
- 5,893,822 A * 4/1999 Deni et al. 53/512

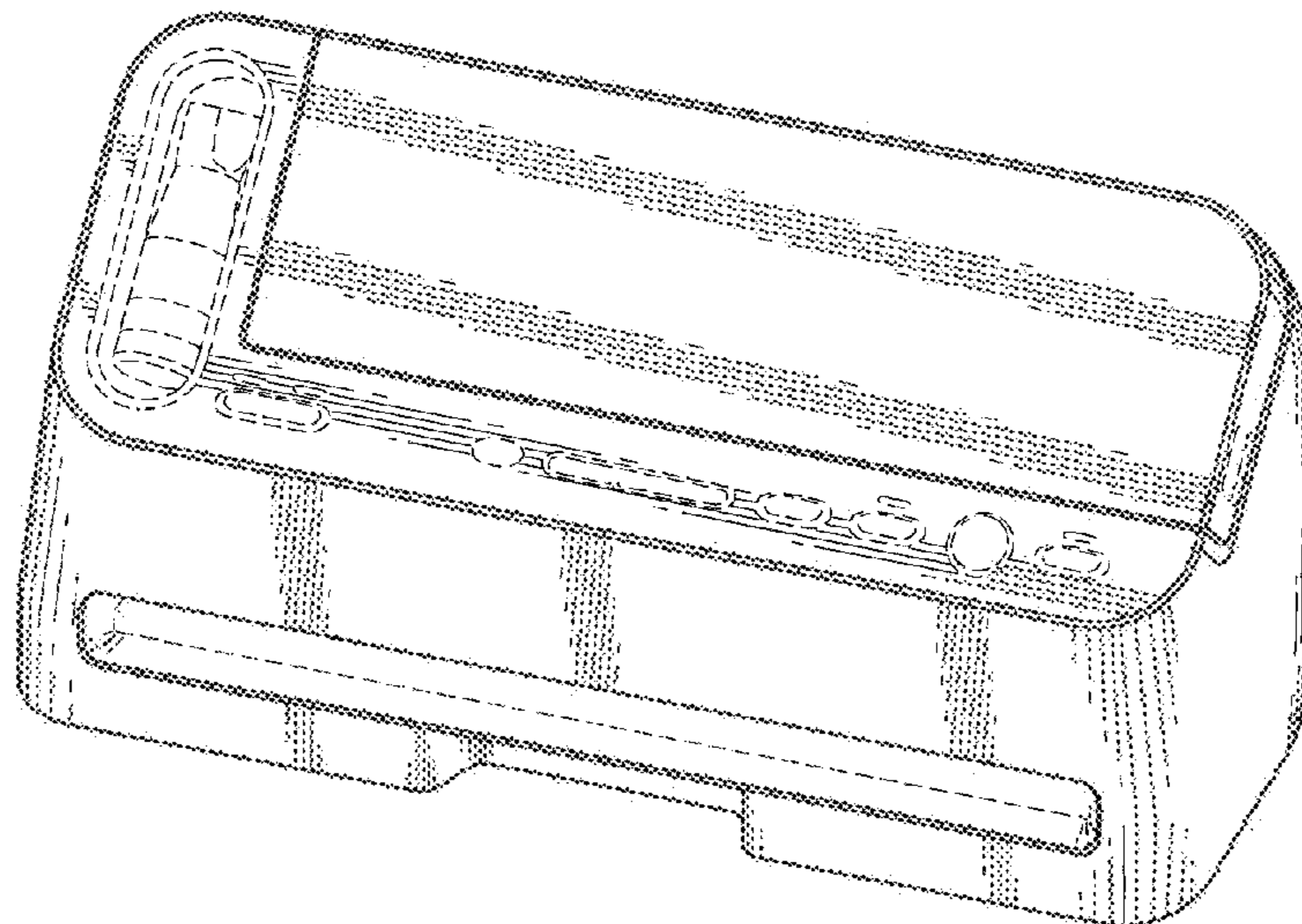


FIG. 1

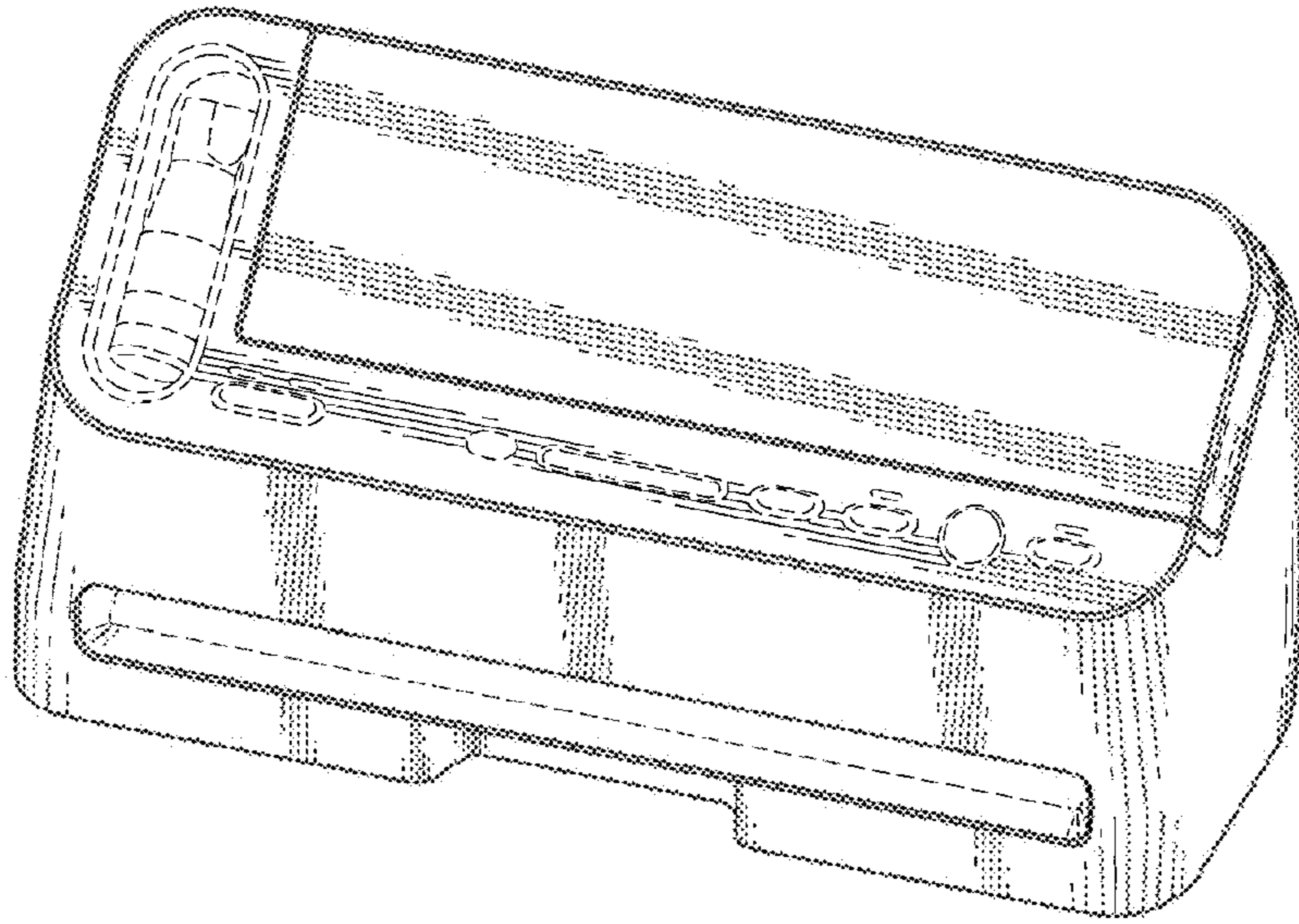


FIG. 2

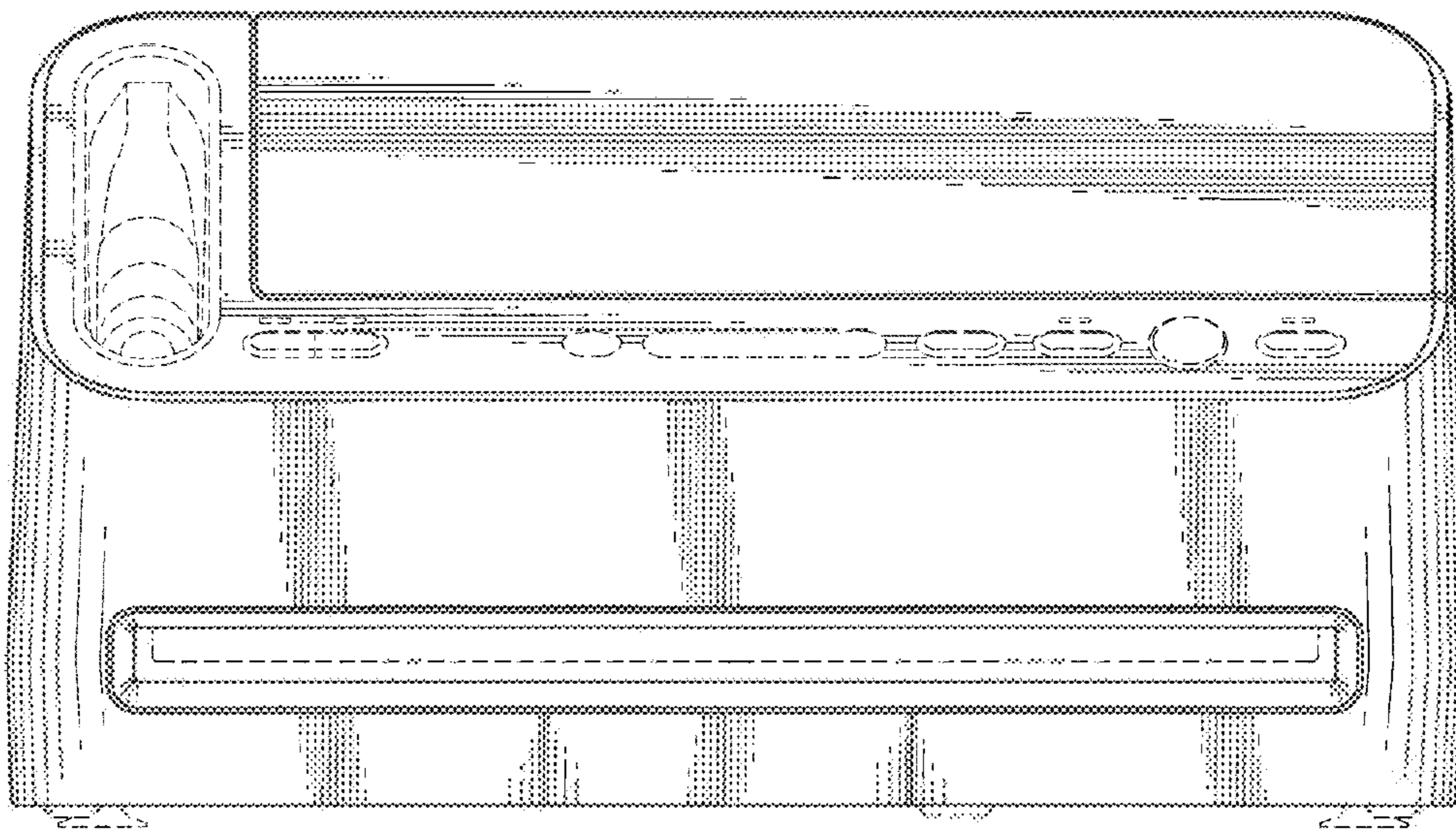


FIG. 3

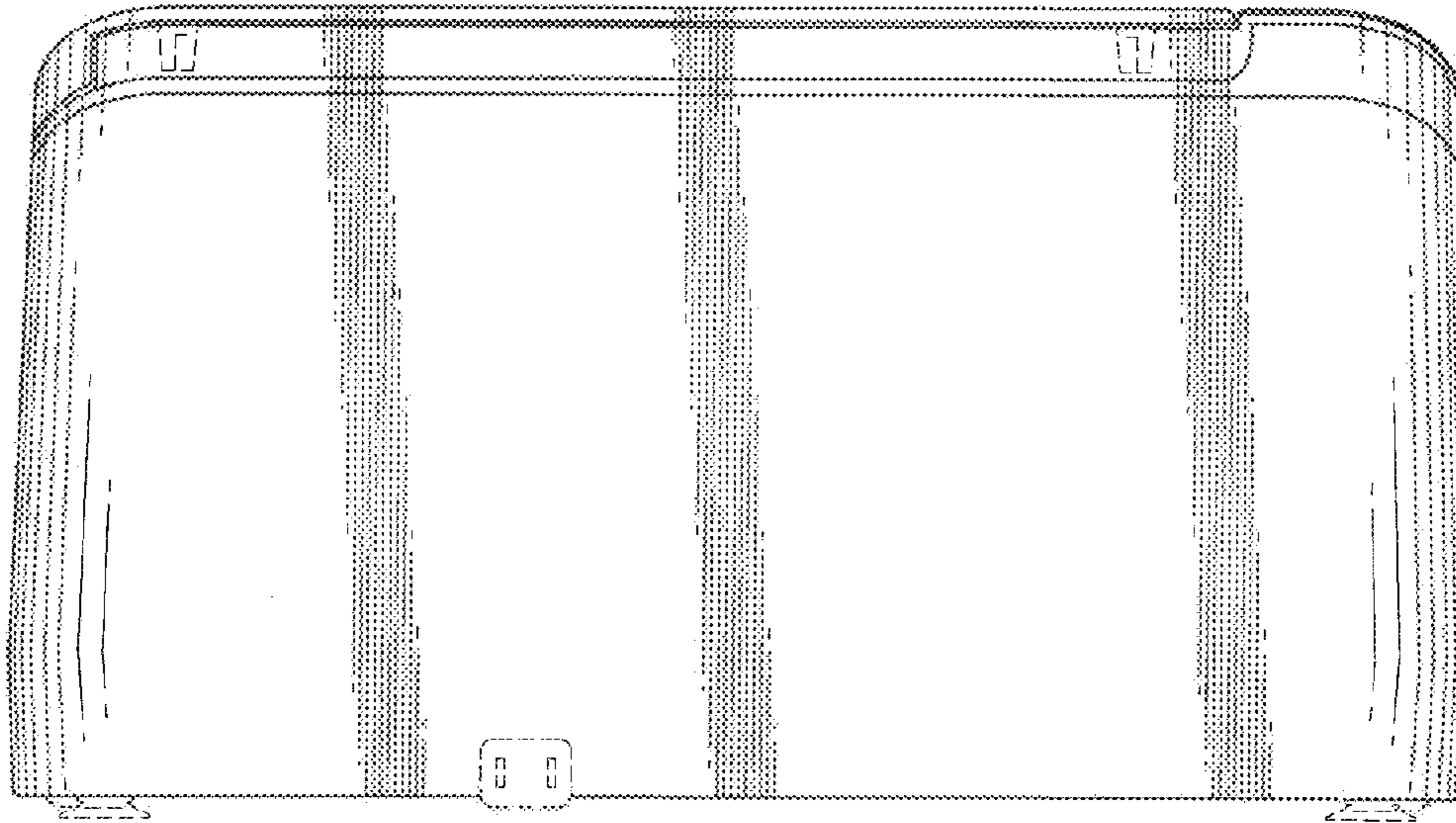


FIG. 4

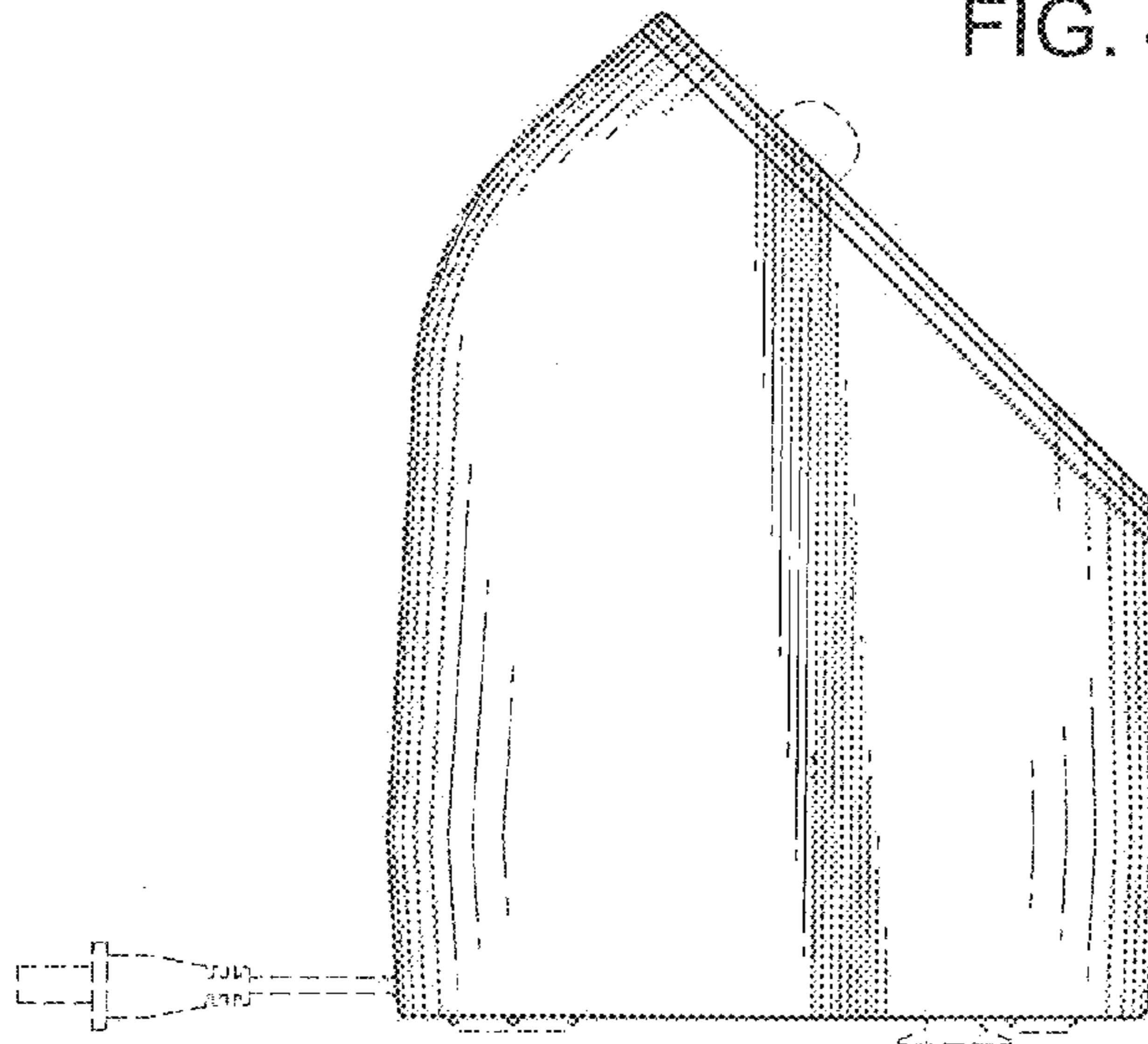


FIG. 5

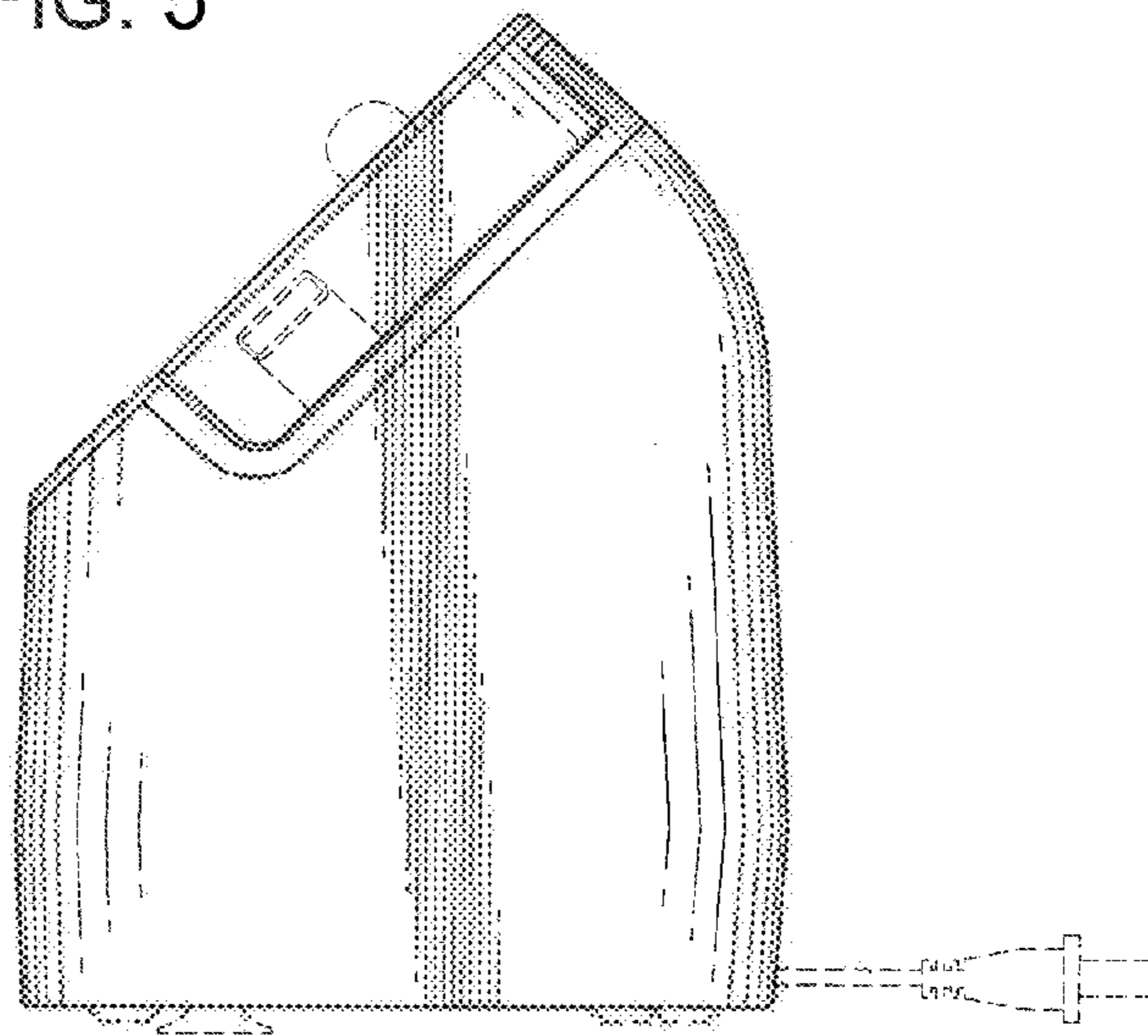


FIG. 6

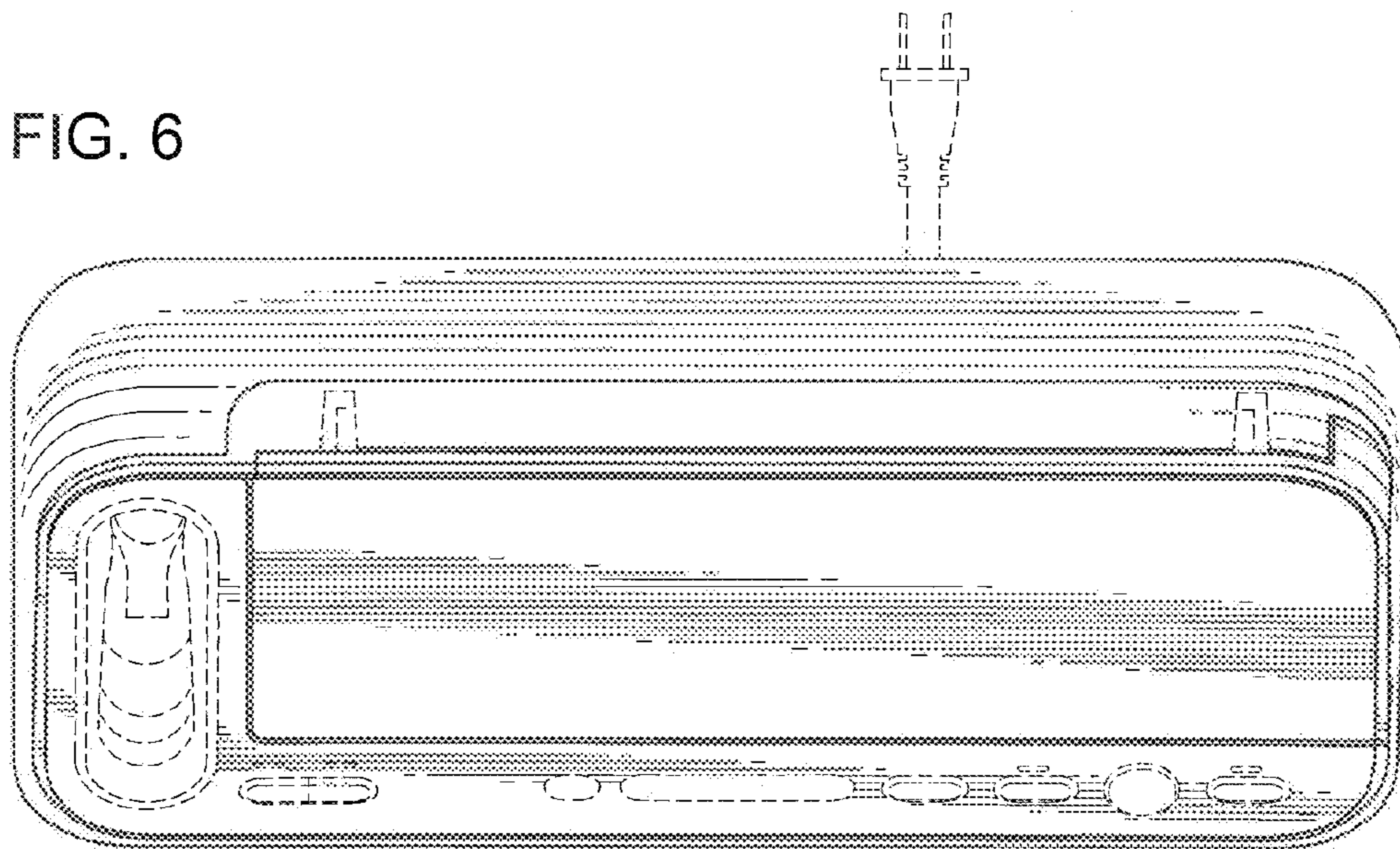


FIG. 7

