



US00D694789S

(12) **United States Design Patent**
Spillane

(10) **Patent No.:** **US D694,789 S**
(45) **Date of Patent:** **** Dec. 3, 2013**

- (54) **BAR CLAMP FOR AN AUTOMATION FIXTURE**
- (71) Applicant: **Automation Services, LLC**, Waterford, MI (US)
- (72) Inventor: **Alexander F. Spillane**, White Lake, MI (US)
- (73) Assignee: **Automation Services, LLC**, Waterford, MI (US)

(**) Term: **14 Years**

(21) Appl. No.: **29/438,344**

(22) Filed: **Nov. 29, 2012**

(51) **LOC (9) Cl.** **15-09**

(52) **U.S. Cl.**
USPC **D15/140; D15/138**

(58) **Field of Classification Search**
USPC D12/111, 114, 178; D8/71, 72, 73, 74, D8/80, 81, 107, 300, 303; 280/274, 279, 280/281.1, 288.2, 288.3, 288.4; 74/55.1-551.9; D15/140-142
See application file for complete search history.

(56) **References Cited**

U.S. PATENT DOCUMENTS

1,416,386	A *	5/1922	Selah	285/197
1,835,473	A *	12/1931	Davidson	403/53
3,096,109	A *	7/1963	Callahan	403/385
5,167,466	A *	12/1992	Hsieh	403/385
5,520,474	A *	5/1996	Liu	403/97

6,059,278	A	5/2000	Hurst et al.	
6,409,411	B1 *	6/2002	Crorey 403/97
6,505,825	B1	1/2003	Hurst et al.	
D503,941	S *	4/2005	Andersen et al. D15/131
7,367,740	B2 *	5/2008	Lazic et al. 403/97
7,611,110	B2 *	11/2009	Franchini 248/227.4
D607,706	S *	1/2010	Jastrow D8/72
8,162,557	B2 *	4/2012	Van Zile et al. 403/96
D677,140	S *	3/2013	Krohmer et al. D8/72
2003/0015881	A1 *	1/2003	Neveu 294/65
2009/0297319	A1	12/2009	Kalb et al.	

FOREIGN PATENT DOCUMENTS

DE 101 44 520 A1 3/2003

* cited by examiner

Primary Examiner — Patricia Palasik

(74) *Attorney, Agent, or Firm* — Brooks Kushman P.C.

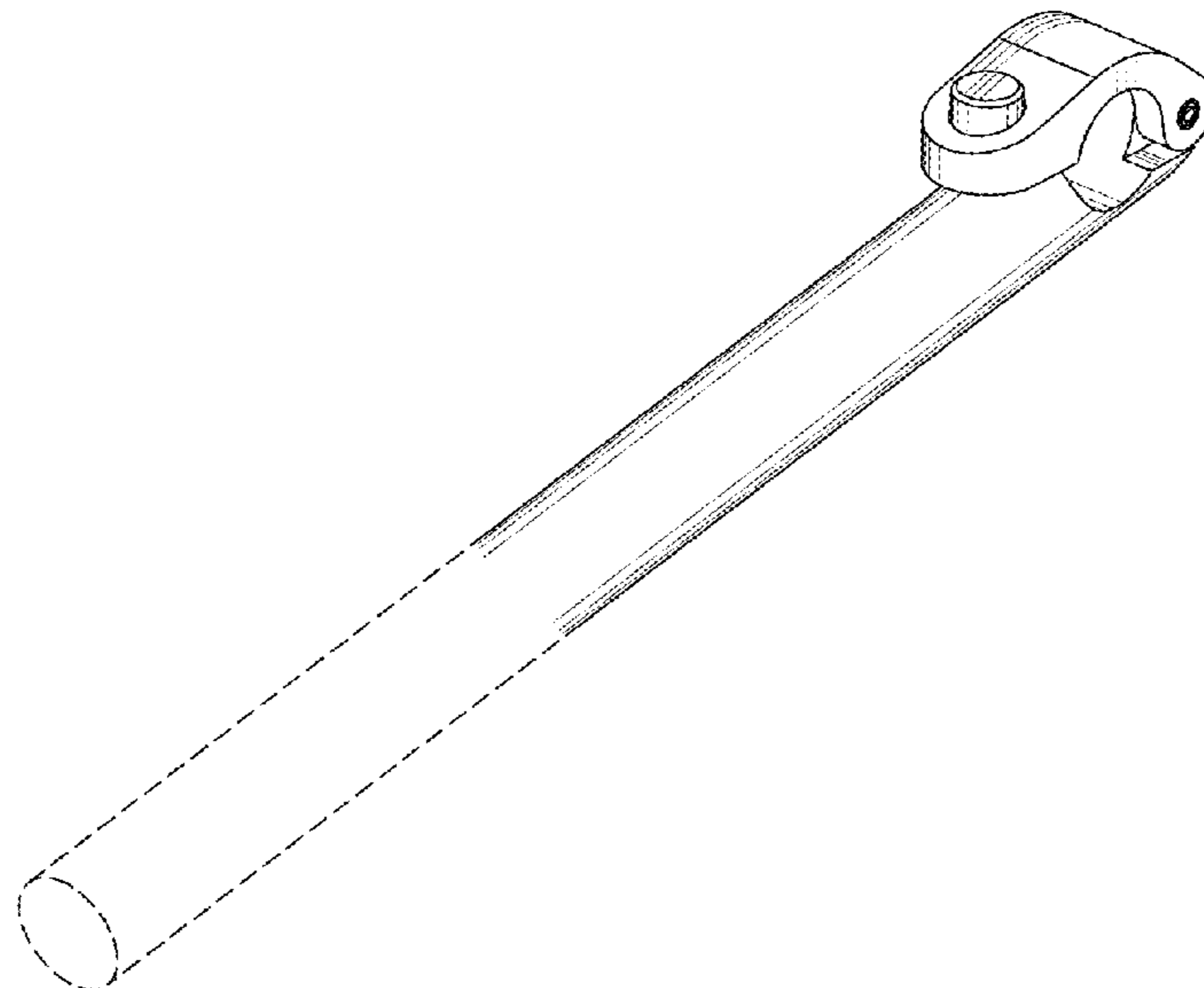
(57) **CLAIM**

The ornamental design for a bar clamp for an automation fixture, as shown and described.

DESCRIPTION

FIG. 1 is a perspective view of the bar clamp for an automation fixture;
 FIG. 2 is a left side elevation view thereof;
 FIG. 3 is a right side elevation view thereof;
 FIG. 4 is a top plan view thereof;
 FIG. 5 is a bottom plan view thereof;
 FIG. 6 is a front elevation view thereof; and,
 FIG. 7 is a rear elevation view thereof.
 The broken lines are for illustrative purposes only and form no part of the claimed design.

1 Claim, 2 Drawing Sheets



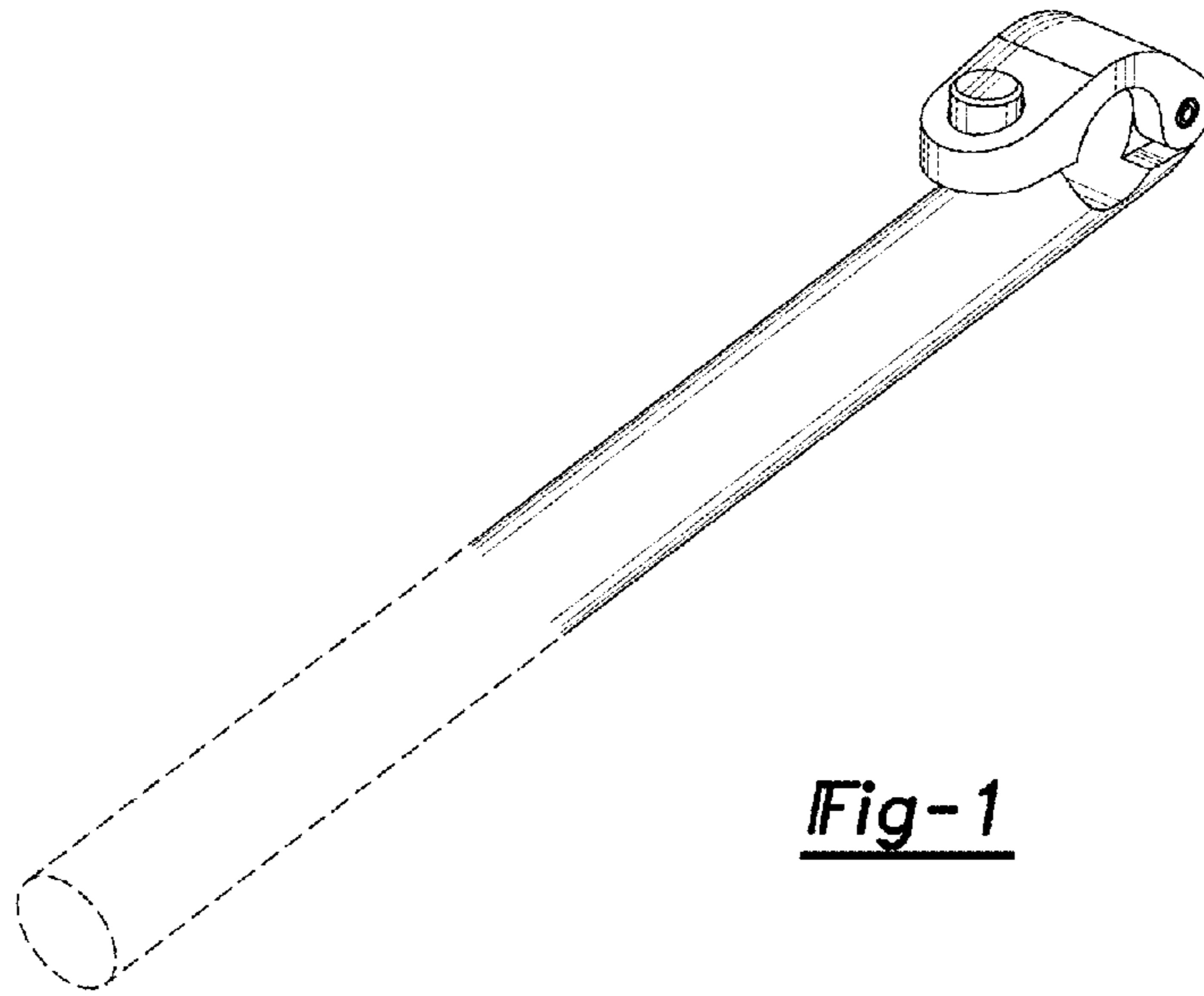


Fig-1

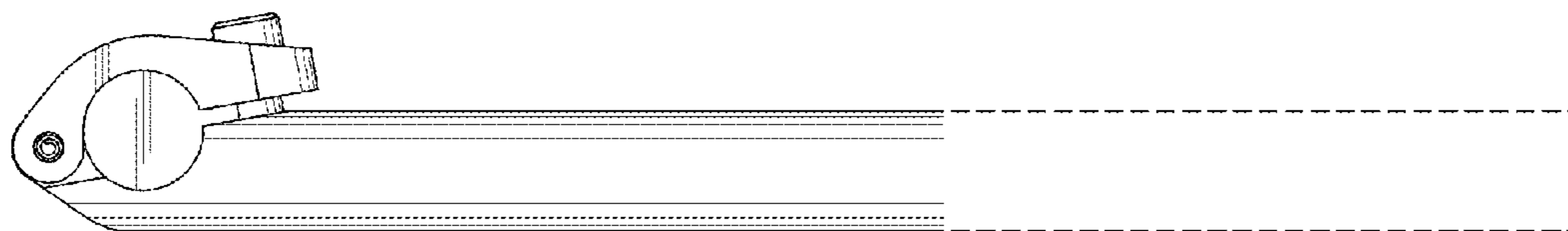


Fig-2

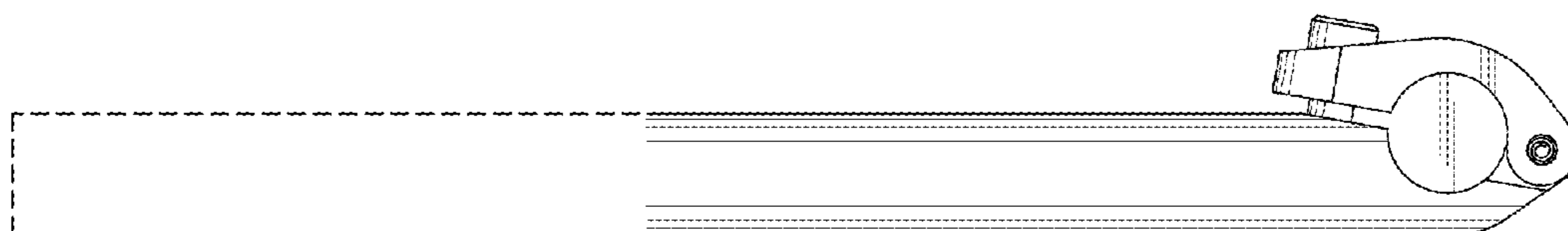


Fig-3

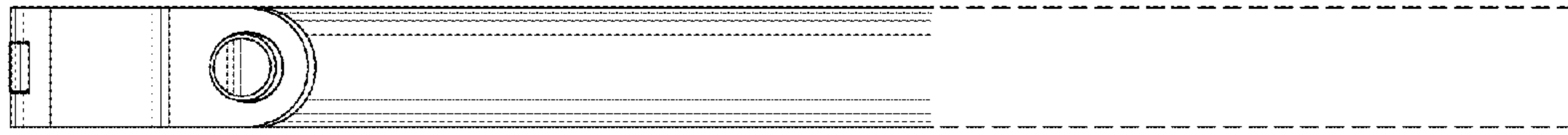


Fig-4

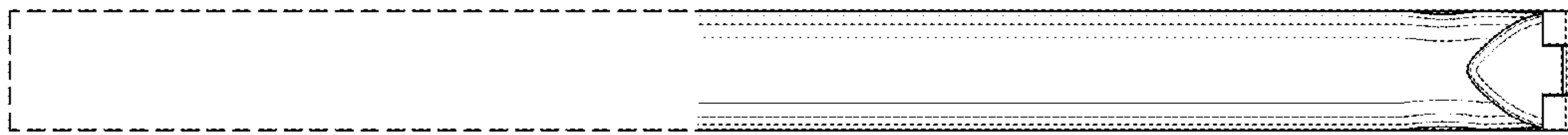


Fig-5

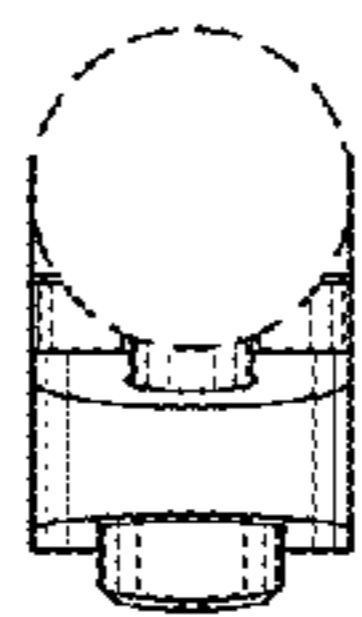


Fig-6

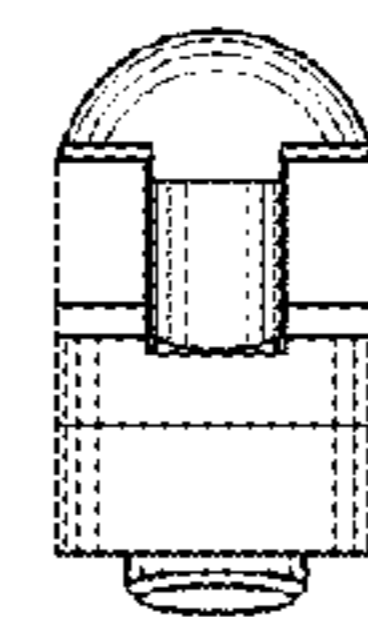


Fig-7